

VIN PLATE DECODING INFORMATION

1	2	3	4	5	6	7	8	9	10	11	12 thru 17
Country	Make	Vehicle Type	Other	Line	Series	Body Style	Engine	Check Digit	Model Year	Assy. Plant	Sequence No.

The following table interprets the VIN Plate position shown above.

Position	Interpretation	Codes = Description
1	Country of Origin	2 = Chrysler Canada
2	Assembler	C = Chrysler B = Dodge
3	Vehicle Type	3 = Passenger Car
4	GVWR & Pass. Safety	A = Active Belts (ASP) Front Air Bags (OSP) Without Side Inflatable Restraints B = Active Belts (ASP) Front Air Bags (OSP) With Side Inflatable Restraints Front Row C = Active Belts (ASP) Front Air Bags (OSP) With Side Inflatable Restraints All Rows D = Active Belts (ASP) With Out Air Bags And Without Side Inflatable Restraints
5	Vehicle Line	A = 300 / 300C (RWD) (LHD) U.S., Canada, Mexico, BUX K = 300 / 300C (AWD) (LHD) U.S., Canada
6	Series	4 = 300 Touring C-H-48 U.S., Canada 5 = 300 Limited C-P-48 U.S., Canada 6 = 300C C-S-48 U.S., Canada, Mexico, BUX 6 = 300C F-S-48 U.S., Canada
7	Body Style	C = 4DR Sedan Tall Body Style - 48 (LX-48)
8	Engine	G = 3.6L 6 CYL Gasoline Non - Turbo ERB T = 5.7L 8 CYL Gasoline Non Turbo EZH
9	Check Digit	0 = Check Digit
10	Model Year	B = 2011 Model Year
11	Assembly Plant	H = Brampton Assembly
12 thru 17	Vehicle Build Sequence	Model Year Assembly Sequence

Group - 2

Front Suspension

Group - 2 Front Suspension

Group-Fig. No.

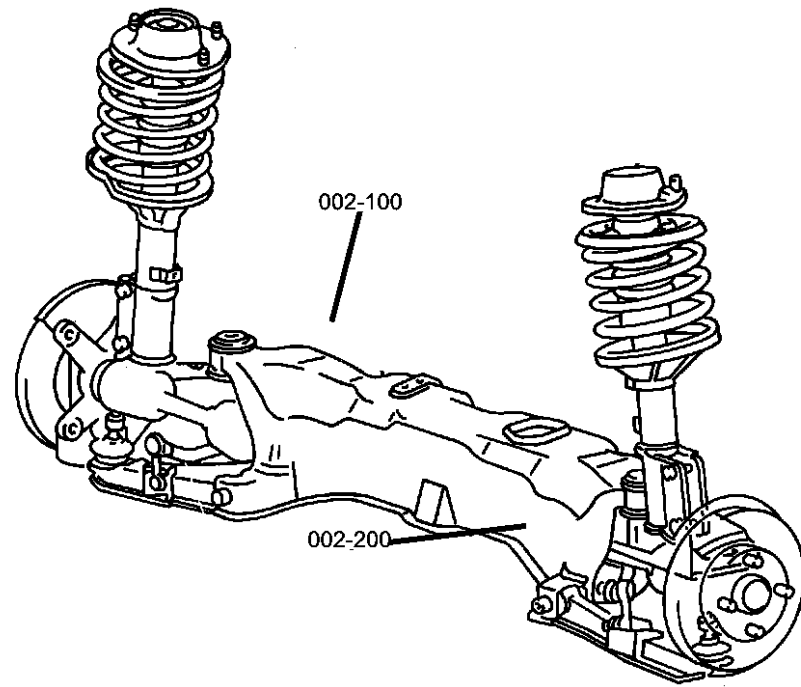
Illustration Title

Front Suspension, Strut and Cradle

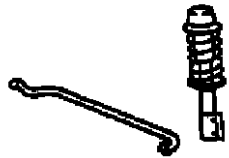
Suspension, Front [RWD] Fig. 2 - 105
 Suspension, Front [AWD] Fig. 2 - 110

Front Stabilizer Bar

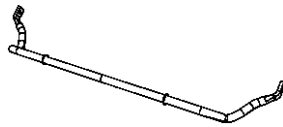
Stabilizer Bar, Front, [RWD] Fig. 2 - 205
 Stabilizer Bar, Front, [AWD] Fig. 2 - 206



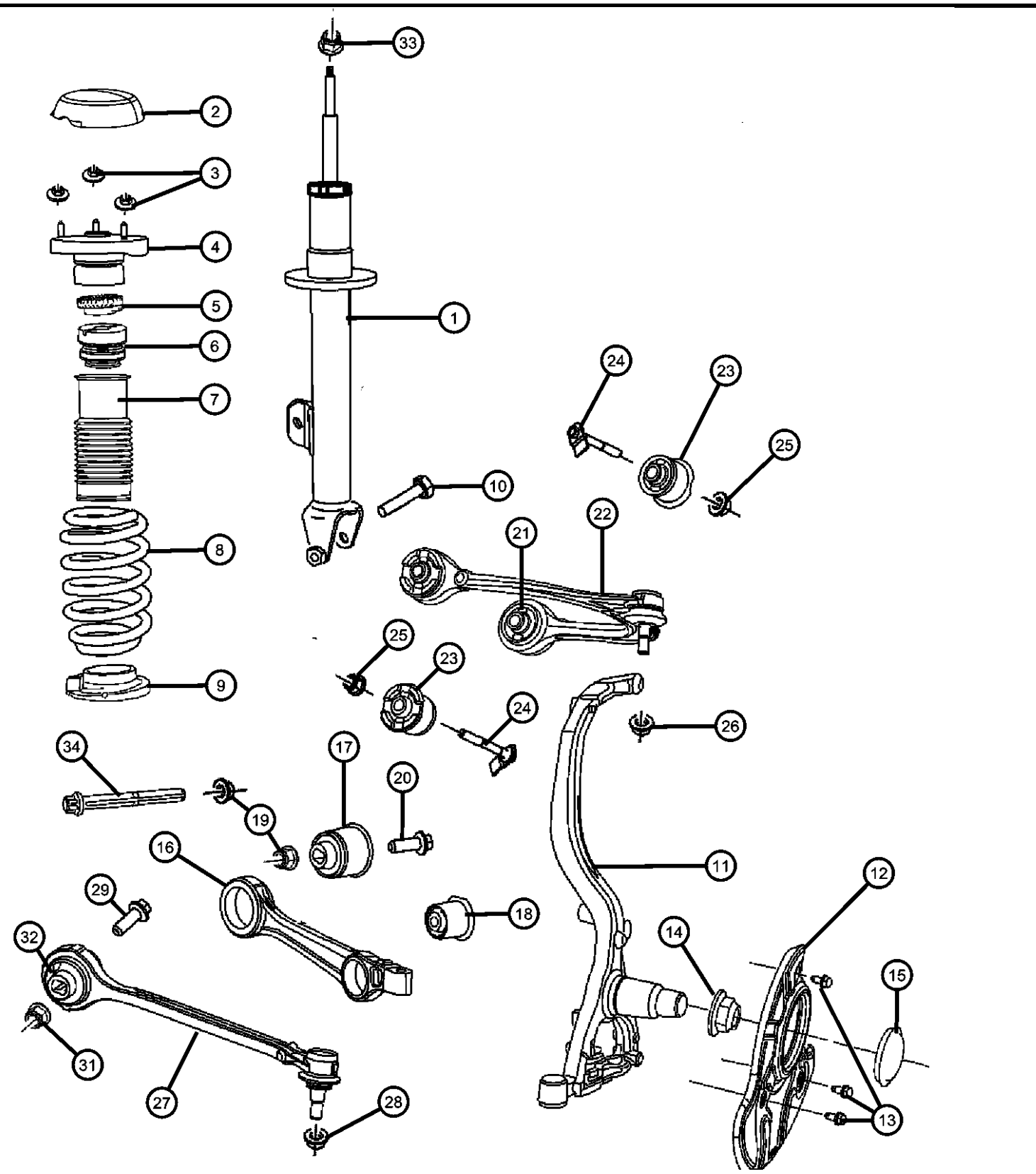
002-100
 Front Suspension, Strut and
 Cradle



002-200
 Front Stabilizer Bar



Suspension, Front [RWD]
Figure 2-105



ITEM	PART NUMBER	QTY	LINE	SERIES	BODY	ENGINE	TRANS	TRIM	DESCRIPTION
1									SHOCK ABSORBER, Suspension, Front
	05168647AA	1	C		48	ERB			[SDG], Left
	68072062AB	1	C		48				[SDC], Right
	05168646AA	1	C		48	ERB			[SDG], Right
	68072065AC	1	C		48				[SDD], Left
	68072063AB	1	C		48				[SDC], Left
	68072064AC	1	C		48				[SDD], Right
	68090072AB	1	C		48				[SDE], Right
	68072066AB	1	C		48				[SDB], Right
	68090073AB	1	C		48				[SDE], Left
	68072067AB	1	C		48				[SDB], Left
2	04782982AB	2	C, F, Z		48				CAP, Shock Tower
3	06506152AA	6	C, F, Z		48				NUT AND WASHER, Hex Nut-Coned Washer, M8 x 1.25, Front Shock Mounting
4	05181575AA	2	C, Z		48				MOUNT, Strut, Upper
5	04895422AA	2	C, F, Z		48				ISOLATOR, Front Suspension Spring
6	04782916AC	2	C, Z		48				BUMPER, Jounce
7	04782629AA	2	C, Z		48				SHIELD, Shock Absorber Dust
8									SPRING, Front Coil
	68031640AC	1	C, F, Z		48				[ZPA], Right
		1	C, F, Z		48				[ZBA], Left
	68031641AC	1	C, F, Z		48				[ZBB], Left
	68031642AB	1	C, F, Z		48				[ZPE], Right
		1	C, F, Z		48				[ZPB], Right
	68031643AB	1	C, F, Z		48				[ZBH], Left
		1	C, F, Z		48				[ZBE], Left
	68031645AB	1	C, F, Z		48				[ZRA], Right
	68031644AB	1	C, F, Z		48				[ZPJ], Right
		1	C, F, Z		48				[ZBJ], Left
	68031646AB	1	C, F, Z		48				[ZRC], Right
		1	C, F, Z		48				[ZCA], Left
		1	C, F, Z		48				[ZCC], Left
	68031651AB	1	C, F, Z		48				[ZRG], Right
	68031647AB	1	C, F, Z		48				[ZRD], Right
		1	C, F, Z		48				[ZPH], Right

MAGNUM/300/CHARGER (LX)
 SERIES LINE
 H = HIGHLINE C = CHRYSLER
 P = PREMIUM F = EAGLE
 S = SPORT

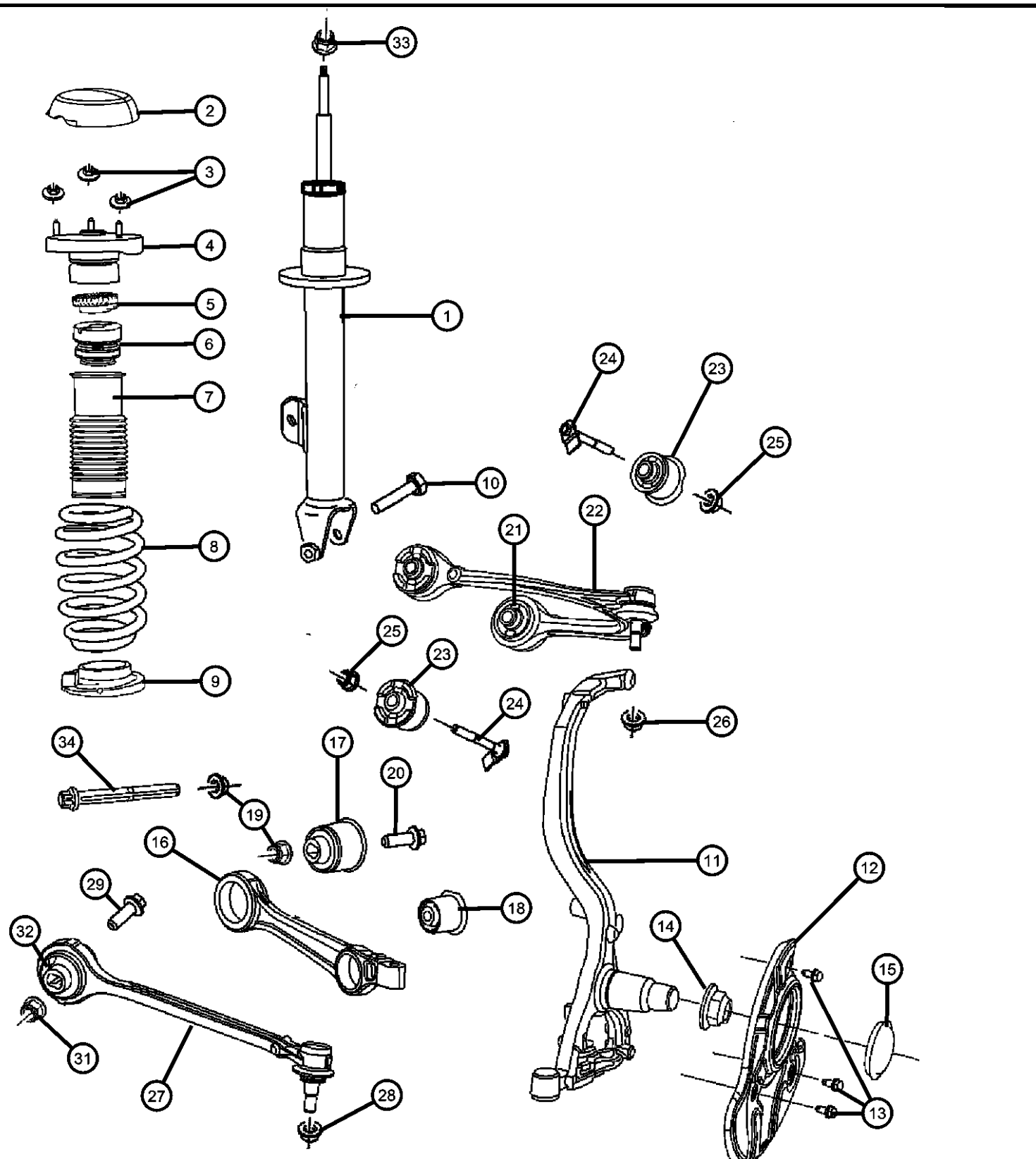
BODY
 48 = SEDAN TYPE #8

ENGINE
 ERB = 3.0L Mid V6 Engine
 EZH = 5.7L V8 HEMI MDS
 VCT Engine

TRANSMISSION
 DGJ = 5-Speed Auto W5A580
 Transmission

AR = use ase required - = Non illustrated part

Suspension, Front [RWD]
Figure 2-105



ITEM	PART NUMBER	QTY	LINE	SERIES	BODY	ENGINE	TRANS	TRIM	DESCRIPTION
	68031655AB	1	C, F, Z		48				[ZRE], Right
	68031653AB	1	C, F, Z		48				[ZSD], Right
		1	C, F, Z		48				[ZDD], Left
		1	C, F, Z		48				[ZCD], Left
	68031652AB	1	C, F, Z		48				[ZCH], Left
		1	C, F, Z		48				[ZCG], Left
		1	C, F, Z		48				[ZRH], Right
	68031658AB	1	C, F, Z		48				[ZSE], Right
		1	C, F, Z		48				[ZDE], Left
	68031657AB	1	C, F, Z		48				[ZDC], Left
		1	C, F, Z		48				[ZCE], Left
		1	C, F, Z		48				[ZSC], Right
9	04895452AA	2	C, Z		48				ISOLATOR, Front Suspension Spring
10	06507620AA	2	C, Z		48				BOLT, Hex Flange Head, M14x2.00x110.00
11									KNUCKLE, Front
	04782741AE	1	C		48				Left
	04782740AE	1	C		48				Right
12									SHIELD, Brake
	04779200AA	1	C		48				Right
	04779201AA	1	C		48				Left
13	06102164AA	3	C		48				BOLT AND CONED WASHER, Hex Head, M6X1.00X14.00
14	06504007	1	C		48				NUT, Axle Hub
15	04779253AA	1	C		48				CAP, Wheel Bearing
16									ARM, Lower Control, Front
	05168389AA	1	C, Z		48				[SDB] Or [SDD] Or [SDE], Right or Left
	68079723AA	1	C, Z		48				[SDC] Or [SDG], Right or Left
17		1							BUSHING, Pivot, Serviced in item # 16, (NOT SERVICED),
18		1							BUSHING, Pivot, Serviced in item # 16, (NOT SERVICED)
19	06502502	2	C, Z		48				NUT, Hex Flange Lock, M14x2
20	06507089AA	2	C, Z		48				BOLT, Hex Head, M14x2.00x120.00
21	04895415AB	4	C, Z		48				SPACER
22									ARM, Upper Control, Front

MAGNUM/300/CHARGER (LX)
 SERIES LINE
 H = HIGHLINE C = CHRYSLER
 P = PREMIUM F = EAGLE
 S = SPORT

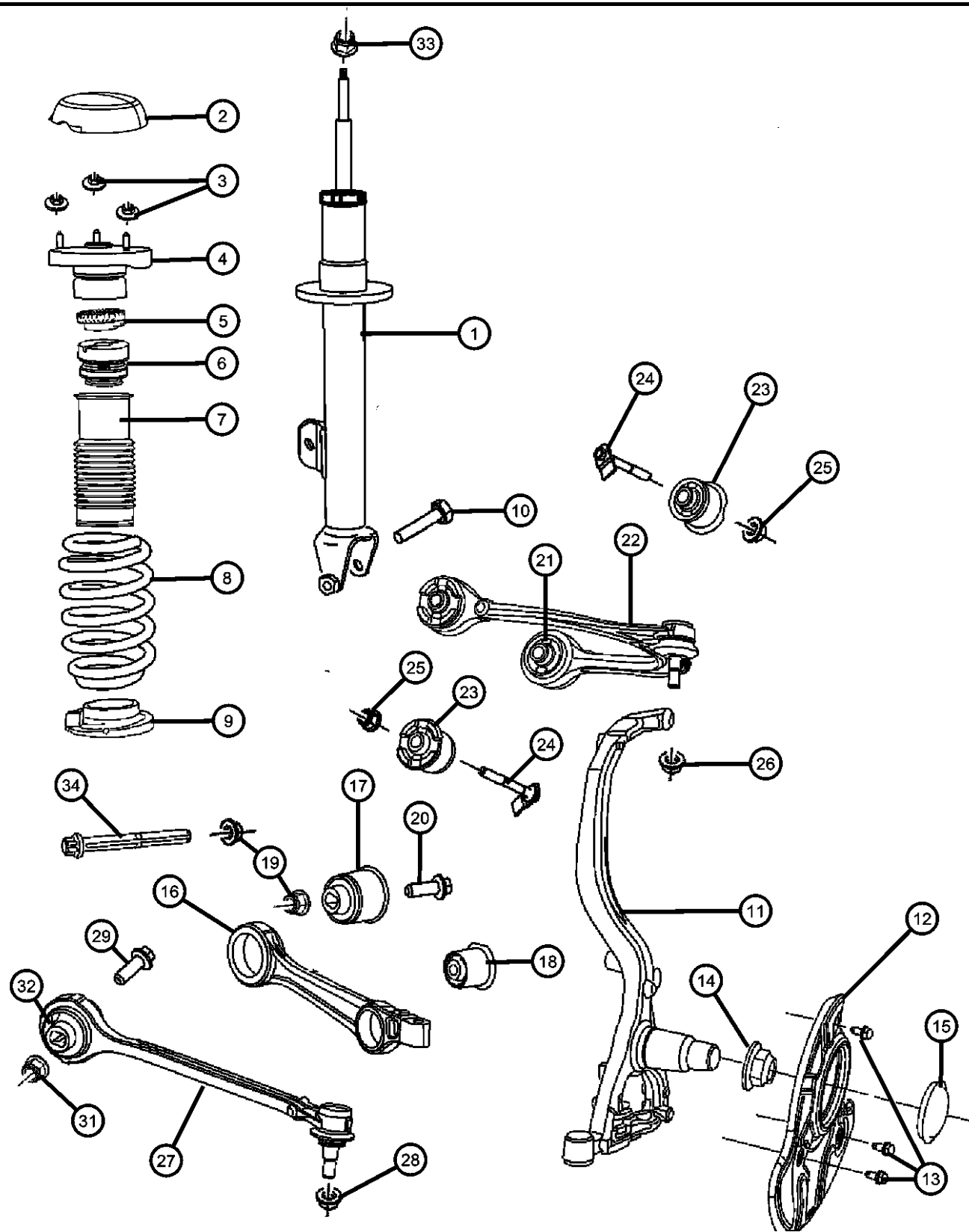
BODY
 48 = SEDAN TYPE #8

ENGINE
 ERB = 3.XL Mid V6 Engine
 EZH = 5.7L V8 HEMI MDS
 VCT Engine

TRANSMISSION
 DGJ = 5-Speed Auto W5A580
 Transmission

AR = use ase required - = Non illustrated part

Suspension, Front [RWD]
Figure 2-105



ITEM	PART NUMBER	QTY	LINE	SERIES	BODY	ENGINE	TRANS	TRIM	DESCRIPTION
	68045130AC	1	C, Z		48				Right
	68045131AC	1	C, Z		48				Left
23		1							BUSHING, Pivot, Serviced in item # 22, (NOT SERVICED)
24	06507711AA	4	C, F, Z		48				BOLT
25	06502835	4	C, F, Z		48				NUT, Hex Flange Lock, M12x1.75
26	06507207AA	1	C, F		48				NUT, Hex Flange Lock, M12x1.75
27									STRUT, Tension
	04670509AD	1	C, Z		48				Left
	04670508AD	1	C, Z		48				Right
28	06507838AA	1	C		48				NUT
29	68101331AA	2	C, Z		48				BOLT AND WASHER, Hex Head, M14 x 2.00 x 111.6, Tension Strut to Cradle
-30	68101332AA	2	C, Z		48				WASHER, M14, Tension Strut to Cradle
31	06502502	2	C, Z		48				NUT, Hex Flange Lock, M14x2, Tension Strut to Cradle
32	04895415AB	4	C, Z		48				SPACER
33	06507207AA	2	C, F, Z		48				NUT, Hex Flange Lock, M12x1.75
34		2							BOLT, Camber Adjust, (NOT SERVICED)

MAGNUM/300/CHARGER (LX)

SERIES LINE
H = HIGHLINE C = CHRYSLER
P = PREMIUM F = EAGLE
S = SPORT

BODY
48 = SEDAN TYPE #8

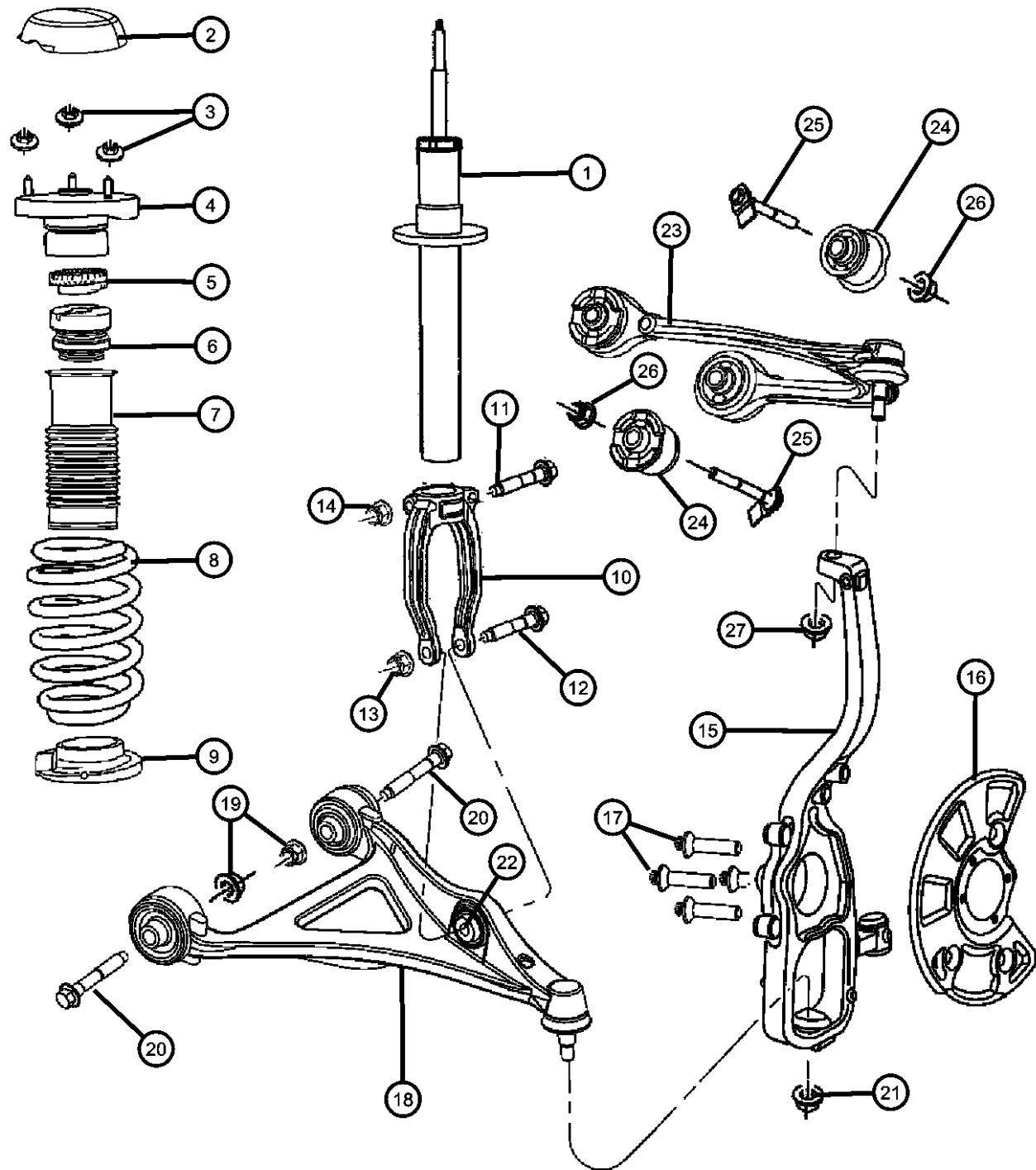
ENGINE
ERB = 3.0L Mid V6 Engine
EZH = 5.7L V8 HEMI MDS
VCT Engine

TRANSMISSION
DGJ = 5-Speed Auto W5A580
Transmission

AR = use ase required - = Non illustrated part

2011 LX

Suspension, Front [AWD]
Figure 2-110



ITEM	PART NUMBER	QTY	LINE	SERIES	BODY	ENGINE	TRANS	TRIM	DESCRIPTION
1	68072068AA	2	F		48				SHOCK ABSORBER, Suspension, Front
2	04782982AB	2	C, F, Z		48				CAP, Shock Tower
3	06506152AA	6	C, F, Z		48				NUT AND WASHER, Hex Nut-Coned Washer, M8 x 1.25
4									MOUNT, Strut, Upper
	04895413AE	1	F		48				Left
	04895414AE	1	F		48				Right
5									ISOLATOR, Front Suspension Spring, Upper
	04895451AA	1	F		48				Left
	04895454AA	1	F		48				Right
6	04895444AB	2	F		48				BUMPER, Jounce
7	04895650AA	2	F		48				SHIELD, Shock Absorber Dust
8									SPRING, Front Coil
	68031640AC	1	C, F, Z		48				[ZPA], Right
		1	C, F, Z		48				[ZBA], Left
	68031641AC	1	C, F, Z		48				[ZPB], Right
		1	C, F, Z		48				[ZBB], Left
	68031642AB	1	C, F, Z		48				[ZPE], Right
		1	C, F, Z		48				[ZBE], Left
	68031643AB	1	C, F, Z		48				[ZPH], Right
		1	C, F, Z		48				[ZBH], Left
	68031644AB	1	C, F, Z		48				[ZPJ], Right
	68031645AB	1	C, F, Z		48				[ZRA], Right
		1	C, F, Z		48				[ZCA], Left
	68031646AB	1	C, F, Z		48				[ZCC], Left
		1	C, F, Z		48				[ZRC], Right
	68031647AB	1	C, F, Z		48				[ZRD], Right
		1	C, F, Z		48				[ZCD], Left
	68031651AB	1	C, F, Z		48				[ZRG], Right
		1	C, F, Z		48				[ZCG], Left
	68031652AB	1	C, F, Z		48				[ZRH], Right
		1	C, F, Z		48				[ZCH], Left
	68031653AB	1	C, F, Z		48				[ZSD], Right
		1	C, F, Z		48				[ZBJ], Left
	68031655AB	1	C, F, Z		48				[ZCE], Left

MAGNUM/300/CHARGER (LX)

SERIES LINE
H = HIGHLINE C = CHRYSLER
P = PREMIUM F = EAGLE
S = SPORT

BODY
48 = SEDAN TYPE #8

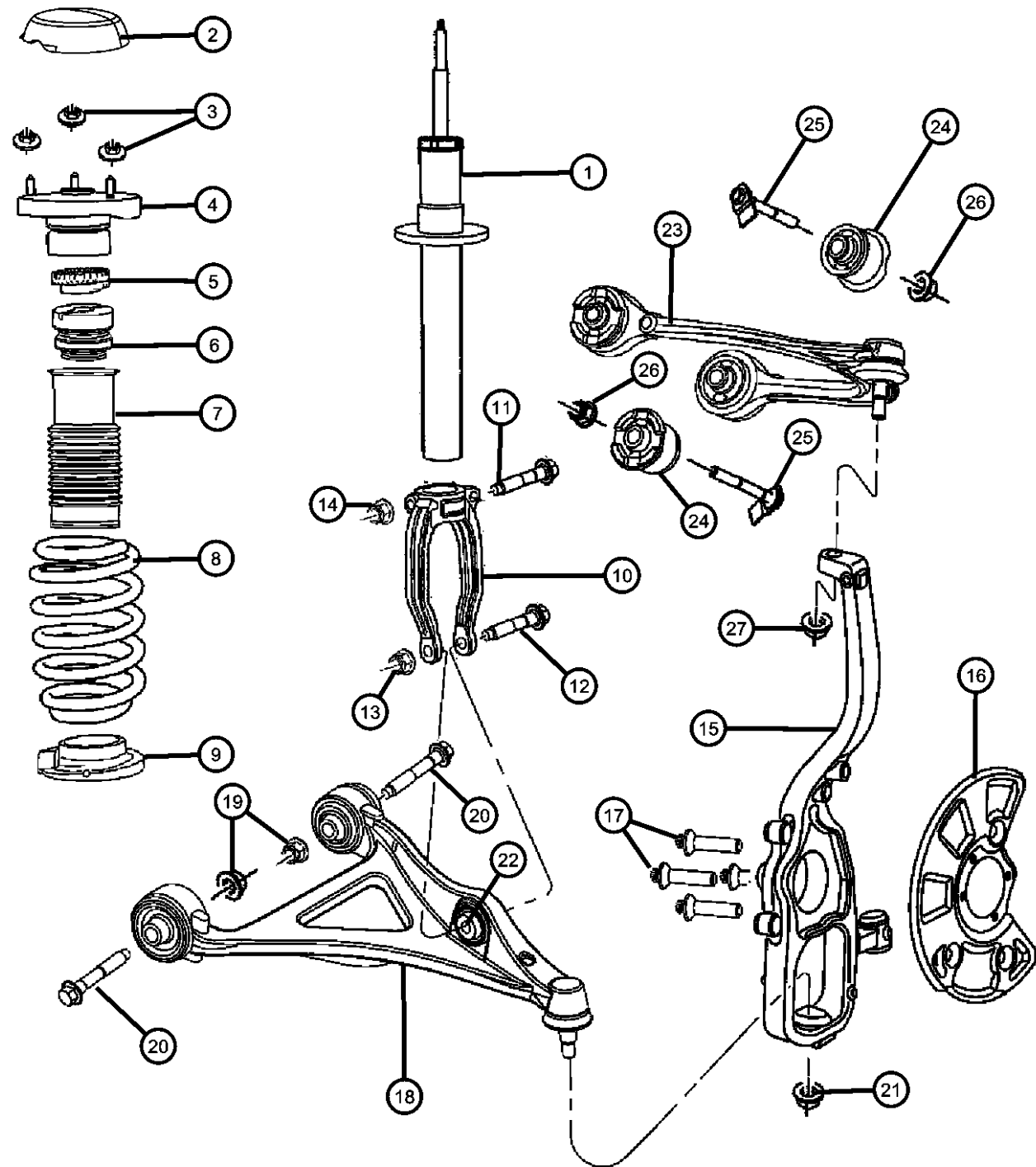
ENGINE
ERB = 3.XL Mid V6 Engine
EZH = 5.7L V8 HEMI MDS
VCT Engine

TRANSMISSION
DGJ = 5-Speed Auto W5A580
Transmission

AR = use ase required - = Non illustrated part

2011 LX

Suspension, Front [AWD]
Figure 2-110



ITEM	PART NUMBER	QTY	LINE	SERIES	BODY	ENGINE	TRANS	TRIM	DESCRIPTION
	68031657AB	1	C, F, Z		48				[ZSC], Right
		1	C, F, Z		48				[ZDC], Left
	68031658AB	1	C, F, Z		48				[ZSE], Right
		1	C, F, Z		48				[ZDD], Left
		1	C, F, Z		48				[ZRE], Right
		1	C, F, Z		48				[ZDE], Left
9	04895422AA	2	C, F, Z		48				ISOLATOR, Front Suspension Spring
10									CLEVIS, Front
	68078352AB	1	F		48				Right
	68078353AB	1	F		48				Left
11	06504863AA	2	F		48				BOLT, Hex Flange Head, M12x1.75x89.50
12	06509576AA	2	F		48				BOLT, Hex Flange Head, M14X2.00X120.00
13	06502502	2	F		48				NUT, Hex Flange Lock, M14x2
14	06502724	2	F		48				NUT, Hex Flange, M12x1.75
15									KNUCKLE, Front
	04895711AC	1	F		48				Left
	04895710AC	1	F		48				Right
16									SHIELD, Brake
	04779326AA	1	F		48				Right
	04779327AA	1	F		48				Left
17	06507234AA	4	F		48				SCREW, 6 Lobed
18									ARM, Lower Control, Front
	04895040AG	1	F		48				Right
	04895041AG	1	F		48				Left
19	06502502	4	F		48				NUT, Hex Flange Lock, M14x2
20	06507575AA	4	F		48				SCREW, Hex Flange Head, M14X2.00X100.00
21	06507838AA	1	C, F, Z		48				NUT
22		1							BUSHING, Pivot, Serviced in Item #18, (NOT SERVICED)
23									ARM, Upper Control, Front
	04895668AB	1	F		48				Right
	04895669AB	1	F		48				Left
24		1							BUSHING, Pivot, Serviced in item # 23, (NOT SERVICED)

MAGNUM/300/CHARGER (LX)

SERIES LINE
H = HIGHLINE C = CHRYSLER
P = PREMIUM F = EAGLE
S = SPORT

BODY
48 = SEDAN TYPE #8

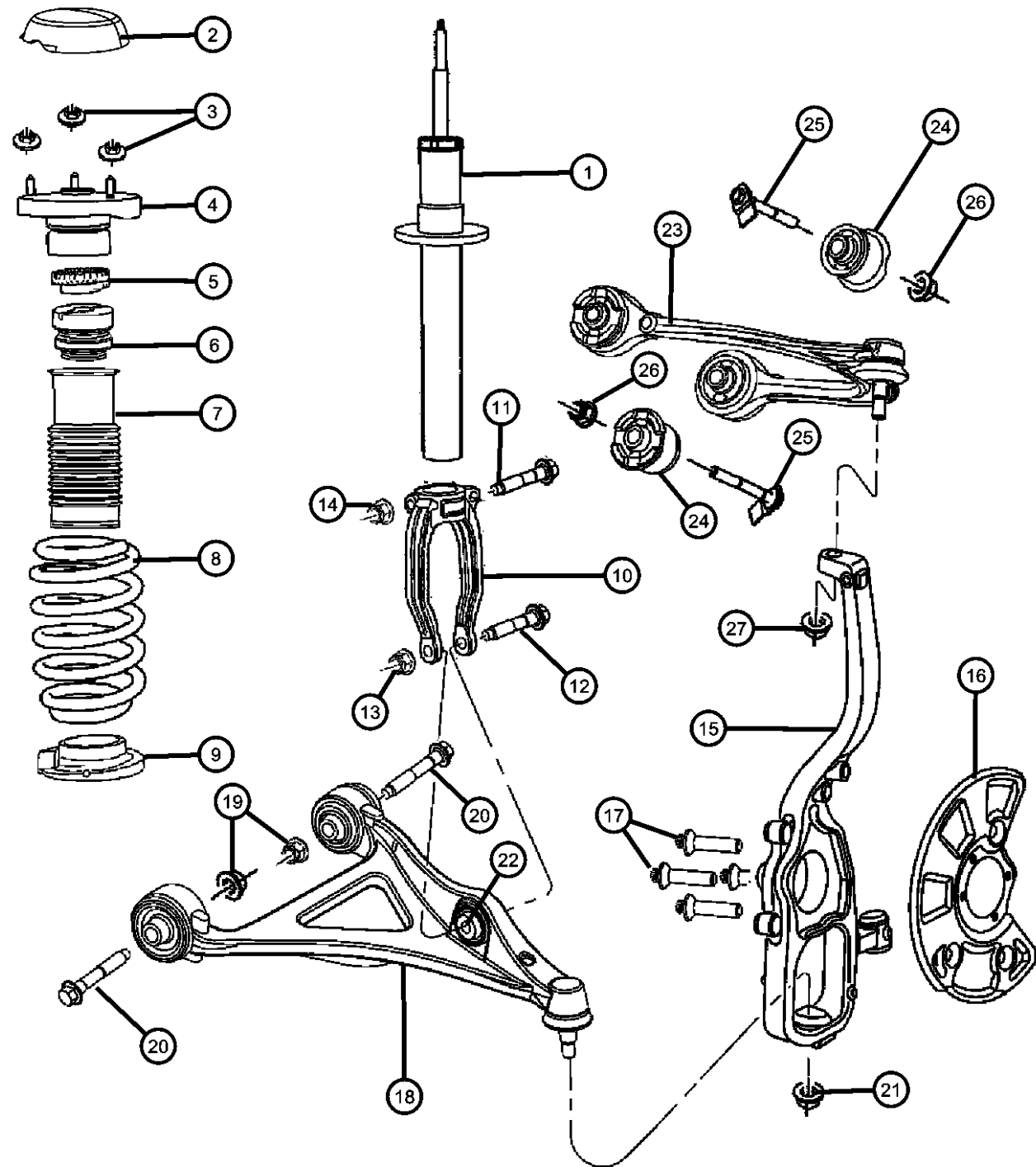
ENGINE
ERB = 3.XL Mid V6 Engine
EZH = 5.7L V8 HEMI MDS
VCT Engine

TRANSMISSION
DGJ = 5-Speed Auto W5A580
Transmission

AR = use ase required - = Non illustrated part

2011 LX

Suspension, Front [AWD]
Figure 2-110



ITEM	PART NUMBER	QTY	LINE	SERIES	BODY	ENGINE	TRANS	TRIM	DESCRIPTION
25	06507711AA	4	C, F, Z		48				BOLT
26	06502835	4	C, F, Z		48				NUT, Hex Flange Lock, M12x1.75
27	06507207AA	1	C, F		48				NUT, Hex Flange Lock, M12x1.75

MAGNUM/300/CHARGER (LX)

SERIES LINE
H = HIGHLINE C = CHRYSLER
P = PREMIUM F = EAGLE
S = SPORT

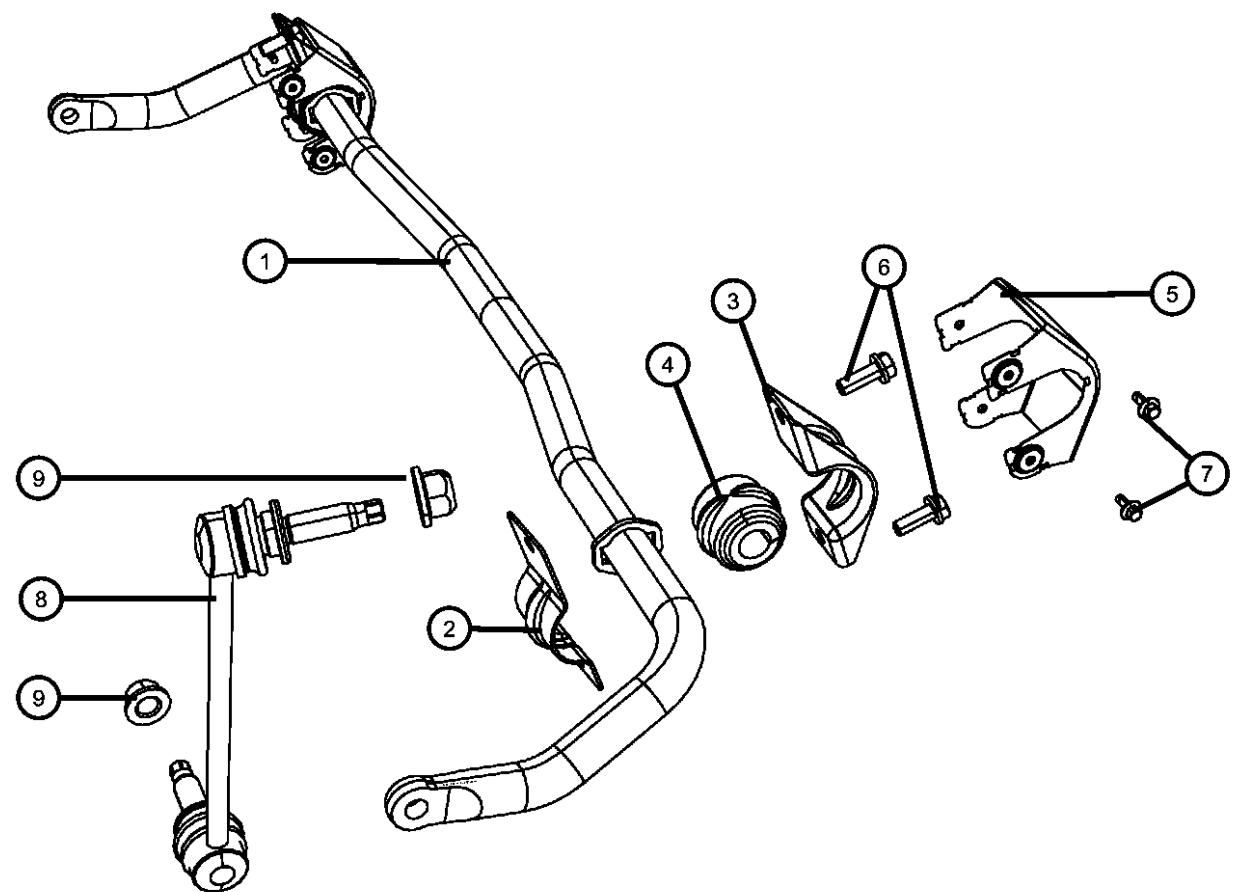
BODY
48 = SEDAN TYPE #8

ENGINE
ERB = 3.0L Mid V6 Engine
EZH = 5.7L V8 HEMI MDS
VCT Engine

TRANSMISSION
DGJ = 5-Speed Auto W5A580
Transmission

AR = use ase required - = Non illustrated part

**Stabilizer Bar, Front, [RWD]
Figure 2-205**



ITEM	PART NUMBER	QTY	LINE	SERIES	BODY	ENGINE	TRANS	TRIM	DESCRIPTION
1									STABILIZER BAR, Front
	04782543AC	1	C, Z		48				[SDC]
	68080740AA	1	C, Z		48				[SDB]
	04782541AC	1	C, Z		48				[SDG]
	04782544AC	1	C, Z		48				[SDE]
2	04782718AA	2	C, Z		48				CLAMP, Stabilizer Bar
3	04782722AA	2	C, Z		48				CLAMP, Stabilizer Bar
4		2							CUSHION, Sway Eliminator, Serviced in Stabilizer Bar Assy, (NOT SERVICED)
5	04782817AA	2	C, Z		48				SHIELD, Heat
6	06101848	4	C, F, Z		48				BOLT AND WASHER, Hex Head, M10x1.50x30.00
7	06507593AA	4	C, Z		48				SCREW, Tapping Hex Head, M5X0.8X14.00
8	04895483AB	1	C, Z		48				LINK, Sway Eliminator
9	06502502	2	C, F, Z		48				NUT, Hex Flange Lock, M14x2

MAGNUM/300/CHARGER (LX)

SERIES LINE
H = HIGHLINE C = CHRYSLER
P = PREMIUM F = EAGLE
S = SPORT

BODY
48 = SEDAN TYPE #8

ENGINE
ERB = 3.XL Mid V6 Engine
EZH = 5.7L V8 HEMI MDS
VCT Engine

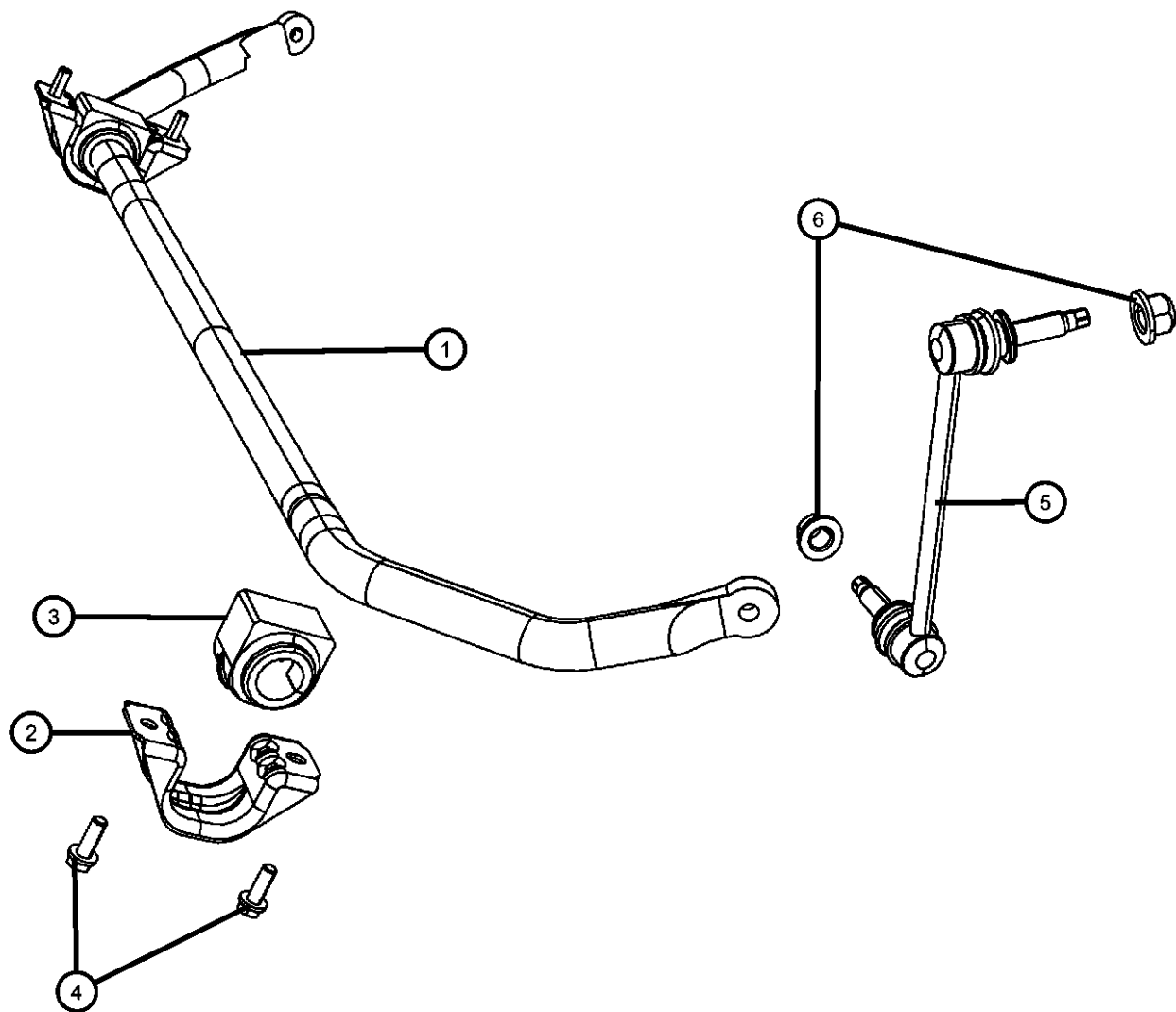
TRANSMISSION
DGJ = 5-Speed Auto W5A580
Transmission

AR = use ase required - = Non illustrated part

2011 LX

**Stabilizer Bar, Front, [AWD]
Figure 2-206**

ITEM	PART NUMBER	QTY	LINE	SERIES	BODY	ENGINE	TRANS	TRIM	DESCRIPTION
1	04782950AC	1	F		48				STABILIZER BAR, Front
2	04895134AB	2	F		48				RETAINER, Stabilizer Bar Bushing
3	04782990AC	2	F		48				ISOLATOR, Front Suspension Cradle
4	06101848	4	C, F, Z		48				BOLT AND WASHER, Hex Head, M10x1.50x30.00
5	04782952AC	2	F		48				LINK, Sway Eliminator
6	06502502	2	C, F, Z		48				NUT, Hex Flange Lock, M14x2



MAGNUM/300/CHARGER (LX)

SERIES LINE
H = HIGHLINE C = CHRYSLER
P = PREMIUM F = EAGLE
S = SPORT

BODY
48 = SEDAN TYPE #8

ENGINE
ERB = 3.XL Mid V6 Engine
EZH = 5.7L V8 HEMI MDS
VCT Engine

TRANSMISSION
DGJ = 5-Speed Auto W5A580
Transmission

AR = use ase required - = Non illustrated part

2011 LX

Group - 3590

All Wheel Drive; Differential and Drive Line

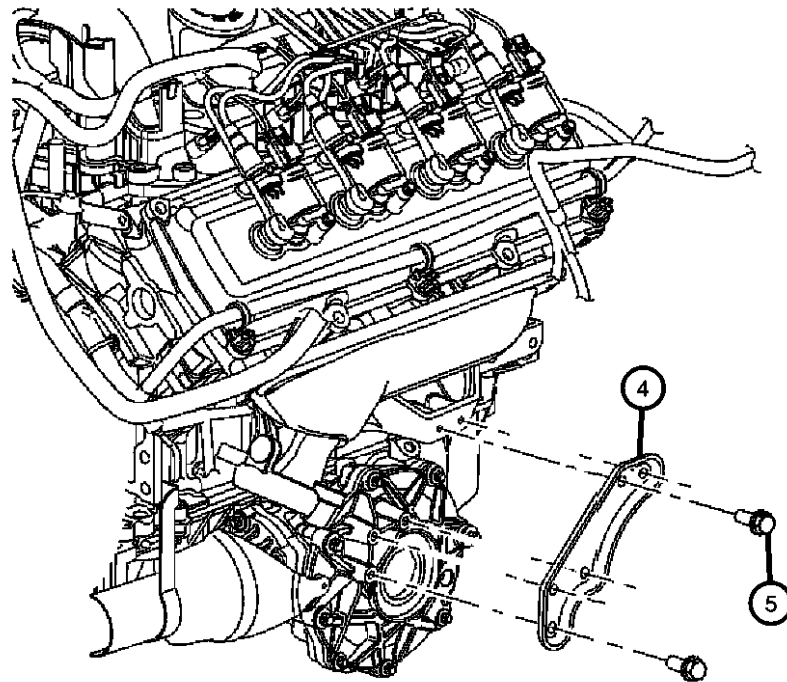
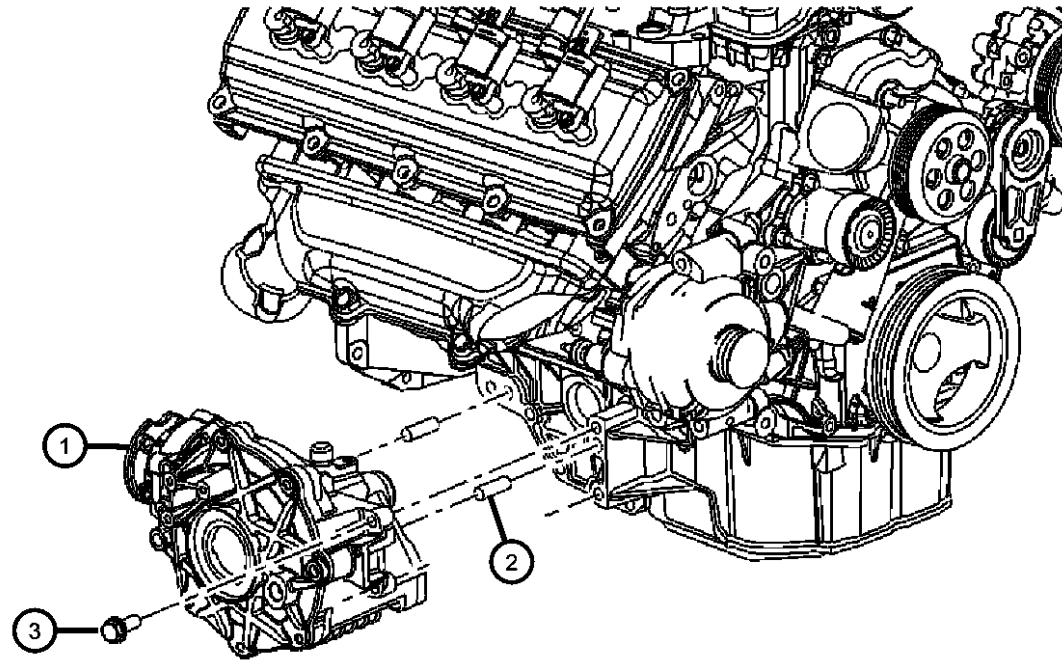
Group - 3590 All Wheel Drive; Differential and Drive Line

Illustration Title	Group-Fig. No.
Front Axle Assembly	
Axle Assembly.....	Fig. 3590 - 105
Housing and Differential with Internal Components	Fig. 3590 - 110
Front Axle Drive Shafts	
Shafts, Axle.....	Fig. 3590 - 305
Drive Shaft	
Shaft, Drive, Rear.....	Fig. 3590 - 605
Shaft, Drive, Front.....	Fig. 3590 - 610
Rear Axle Assembly	
Axle Assembly.....	Fig. 3590 - 705
Rear Axle; Housing, Differential and Vent	
Housing & Differential with Internal Parts	Fig. 3590 - 805
Rear Axle Shafts	
Shafts, Axle.....	Fig. 3590 - 905

003590-100 Front Axle Assembly	003590-300 Front Axle Drive Shafts	003590-600 Drive Shaft	003590-700 Rear Axle Assembly
003590-800 Rear Axle; Housing, Differential and Vent	003590-900 Rear Axle Shafts		

Axle Assembly
Figure 3590-105

ITEM	PART NUMBER	QTY	LINE	SERIES	BODY	ENGINE	TRANS	TRIM	DESCRIPTION
1	04591954AB 04874469 68003055AA	1	F		48				DIFFERENTIAL, Front Axle Mopar SAE 75W-140 Synthetic Gear and Axle Lube Quart Mopar SAE 75W-140 Synthetic Gear and Axle Lube 16 Gallon Keg
2	06507780AA	2	F		48				PIN, Dowel
3	06104219AA	6	F		48				BOLT, Hex Flange Head, M10X1.50X45.00, Front Differential to Oil Pan, Mounting
4	04578174AA	1	F		48				BRACKET
5	06101611	3	F		48				BOLT AND WASHER, Hex Head, M8X1.25X25.00 Diff Support Bracket to Diff, Mounting
		2	F		48				Diff Support Bracket to Engine Bracket, Mounting



MAGNUM/300/CHARGER (LX)

SERIES LINE
H = HIGHLINE C = CHRYSLER
P = PREMIUM F = EAGLE
S = SPORT

BODY
48 = SEDAN TYPE #8

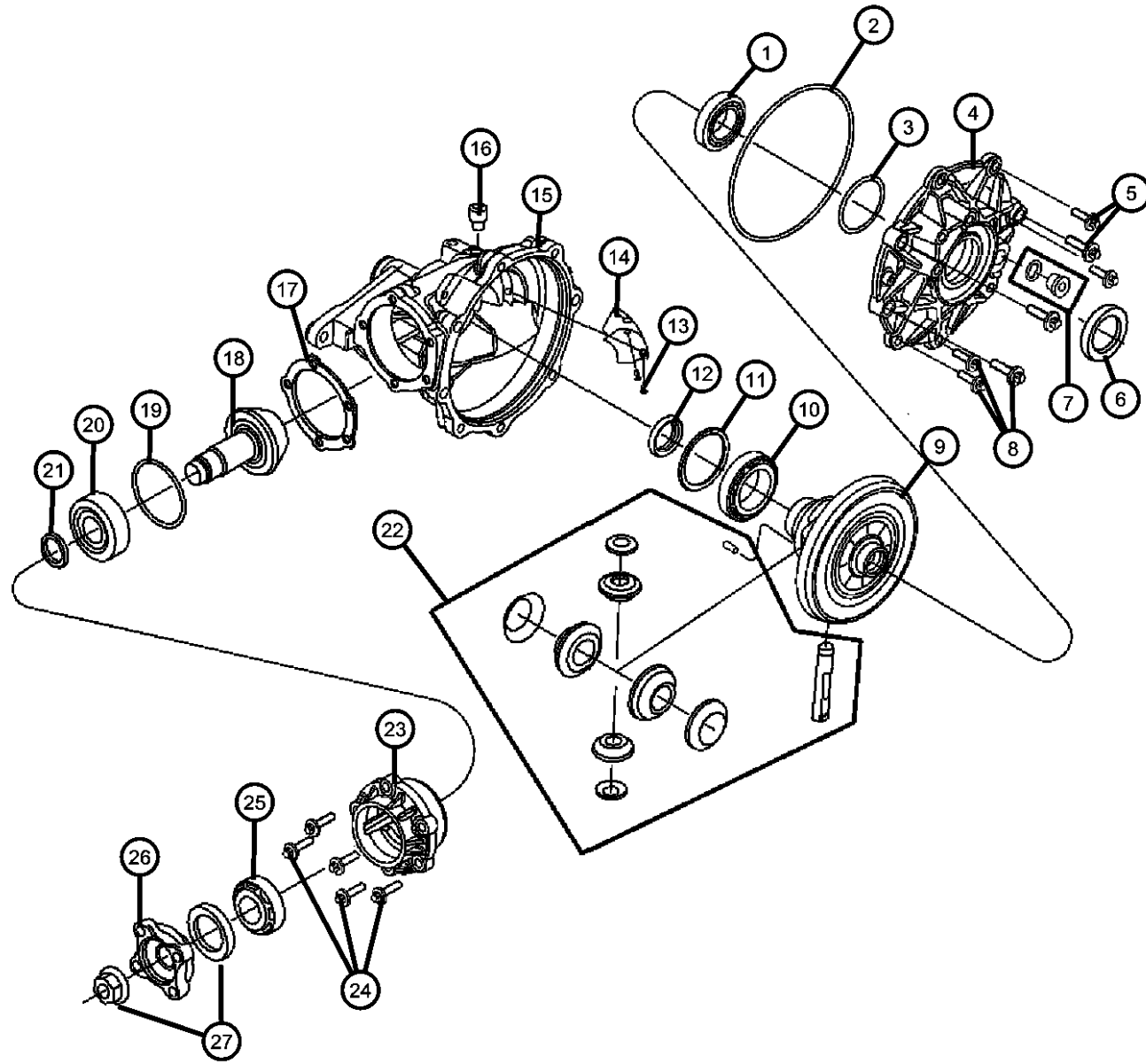
ENGINE
ERB = 3.XL Mid V6 Engine
EZH = 5.7L V8 HEMI MDS VCT Engine

TRANSMISSION
DGJ = 5-Speed Auto W5A580 Transmission

AR = use ase required - = Non illustrated part

2011 LX

Housing and Differential with Internal Components
Figure 3590-110



ITEM	PART NUMBER	QTY	LINE	SERIES	BODY	ENGINE	TRANS	TRIM	DESCRIPTION
1	05143952AA	1	F		48				BEARING, Differential
2	05143122AA	1	F		48				O RING
3									RETAINING RING/SHIM, Differential Bearing
	05161730AA	1	F		48				1.39mm
	05161731AA	1	F		48				1.43mm
	05161729AA	1	F		48				1.35mm
	05161737AA	1	F		48				1.67mm
	05161735AA	1	F		48				1.59mm
	05161736AA	1	F		48				1.63mm
	05161734AA	1	F		48				1.55mm
	05161732AA	1	F		48				1.47mm
	05161733AA	1	F		48				1.51mm
	05161741AA	1	F		48				1.83mm
	05161742AA	1	F		48				1.87mm
	05161746AA	1	F		48				2.03mm
	05161740AA	1	F		48				1.79mm
	05161738AA	1	F		48				1.71mm
	05161739AA	1	F		48				1.75mm
	05161743AA	1	F		48				1.91mm
	05161744AA	1	F		48				1.95mm
	05161745AA	1	F		48				1.99mm
	05161749AA	1	F		48				2.15mm
	05161747AA	1	F		48				2.07mm
	05161748AA	1	F		48				2.11mm
	05161752AA	1	F		48				2.27mm
	05161750AA	1	F		48				2.19mm
	05161751AA	1	F		48				2.23mm
	05161755AA	1	F		48				2.39mm
	05161753AA	1	F		48				2.31mm
	05161754AA	1	F		48				2.35mm
	05161758AA	1	F		48				2.51mm
	05161756AA	1	F		48				2.43mm
	05161757AA	1	F		48				2.47mm
	05161728AA	1	F		48				1.31mm
4	05143120AA	1	F		48				COVER, Differential

MAGNUM/300/CHARGER (LX)

SERIES LINE
H = HIGHLINE C = CHRYSLER
P = PREMIUM F = EAGLE
S = SPORT

BODY
48 = SEDAN TYPE #8

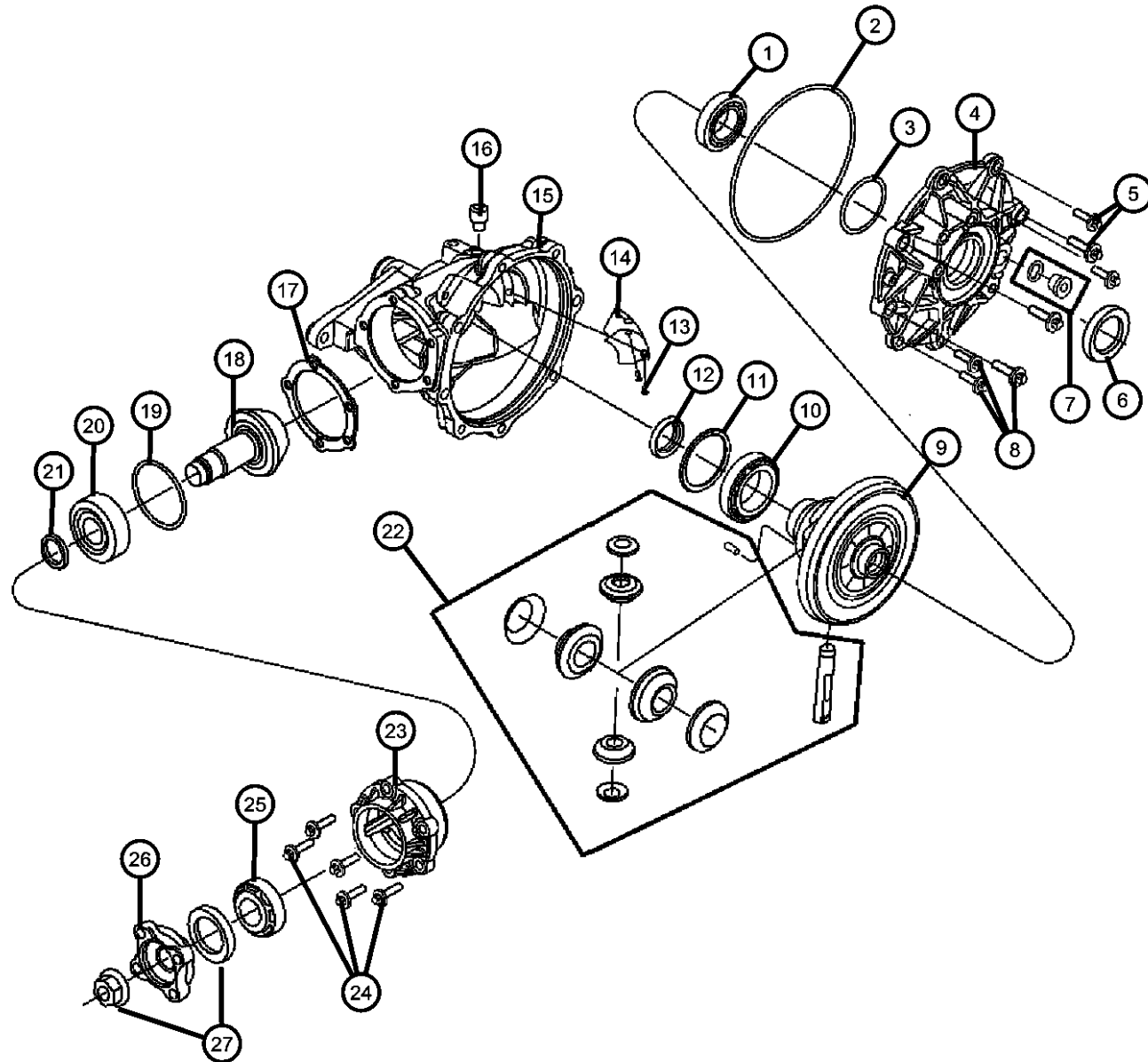
ENGINE
ERB = 3.XL Mid V6 Engine
EZH = 5.7L V8 HEMI MDS
VCT Engine

TRANSMISSION
DGJ = 5-Speed Auto W5A580
Transmission

AR = use ase required - = Non illustrated part

2011 LX

Housing and Differential with Internal Components
Figure 3590-110



ITEM	PART NUMBER	QTY	LINE	SERIES	BODY	ENGINE	TRANS	TRIM	DESCRIPTION
5	05136546AA	1	F		48				BOLT, Differential Cover, Mounting
6	05143144AA	1	F		48				SEAL, Axle Drive Shaft
7	05161598AA	1	F		48				PLUG, Oil Fill
8	05143143AA	1	F		48				BOLT, Differential Cover, Differential Cover, Mounting
9		1							GEAR, Pinion, Serviced in Assembly see Group 002-410, (NOT SERVICED)
10	05143671AA	1	F		48				BEARING, Input Shaft
11									RETAINING RING/SHIM, Differential Bearing
	05161686AA	1	F		48				1.38mm
	05161690AA	1	F		48				1.54mm
	05161687AA	1	F		48				1.42mm
	05161684AA	1	F		48				1.34mm
	05161692AA	1	F		48				1.62mm
	05161696AA	1	F		48				1.78mm
	05161694AA	1	F		48				1.70mm
	05161688AA	1	F		48				1.46mm
	05161689AA	1	F		48				1.50mm
	05161693AA	1	F		48				1.66mm
	05161691AA	1	F		48				1.58mm
	05161698AA	1	F		48				1.86mm
	05161702AA	1	F		48				2.02mm
	05161700AA	1	F		48				1.94mm
	05161695AA	1	F		48				1.74mm
	05161699AA	1	F		48				1.90mm
	05161697AA	1	F		48				1.82mm
	05161708AA	1	F		48				2.26mm
	05161706AA	1	F		48				2.18mm
	05161701AA	1	F		48				1.98mm
	05161705AA	1	F		48				2.14mm
	05161703AA	1	F		48				2.06mm
	05161704AA	1	F		48				2.10mm
	05161714AA	1	F		48				2.50mm
	05161712AA	1	F		48				2.42mm
	05161713AA	1	F		48				2.46mm

MAGNUM/300/CHARGER (LX)

SERIES LINE
H = HIGHLINE C = CHRYSLER
P = PREMIUM F = EAGLE
S = SPORT

BODY
48 = SEDAN TYPE #8

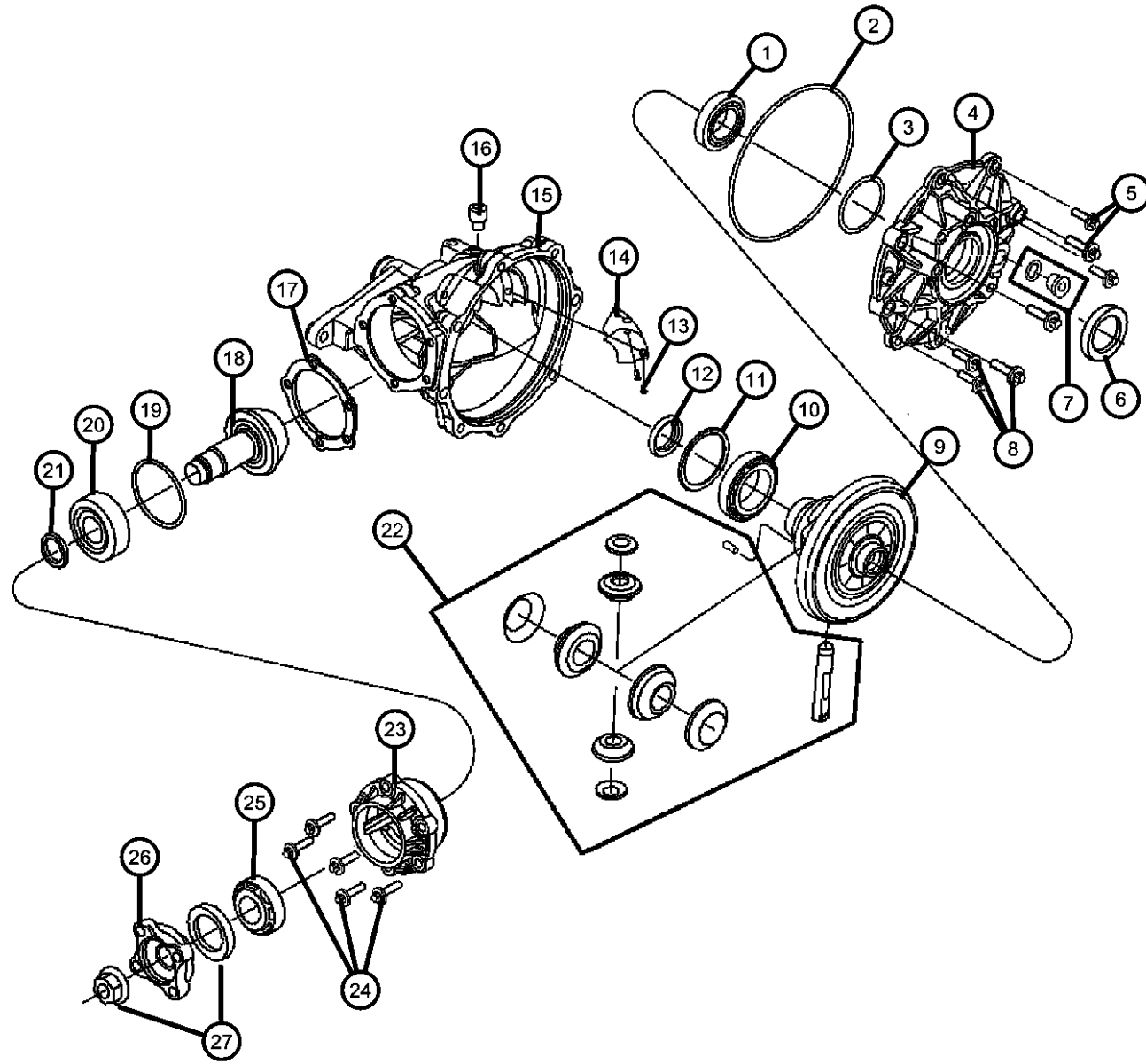
ENGINE
ERB = 3.XL Mid V6 Engine
EZH = 5.7L V8 HEMI MDS
VCT Engine

TRANSMISSION
DGJ = 5-Speed Auto W5A580
Transmission

AR = use ase required - = Non illustrated part

2011 LX

Housing and Differential with Internal Components
Figure 3590-110



ITEM	PART NUMBER	QTY	LINE	SERIES	BODY	ENGINE	TRANS	TRIM	DESCRIPTION
	05161707AA	1	F		48				2.22mm
	05161711AA	1	F		48				2.38mm
	05161709AA	1	F		48				2.30mm
	05161710AA	1	F		48				2.34mm
	05161719AA	1	F		48				2.66mm
	05161720AA	1	F		48				2.70mm
	05161724AA	1	F		48				2.86mm
	05161717AA	1	F		48				2.62mm
	05161715AA	1	F		48				2.54mm
	05161716AA	1	F		48				2.58mm
	05161721AA	1	F		48				2.74mm
	05161726AA	1	F		48				2.94mm
	05161722AA	1	F		48				2.78mm
	05161723AA	1	F		48				2.82mm
	05161725AA	1	F		48				2.90mm
	05161727AA	1	F		48				2.98mm
12	05143145AA	1	F		48				SEAL
13	05161587AA	1	F		48				BOLT, Oil Splash Shield, Mounting
14	05161586AA	1	F		48				SHIELD, Splash, Oil
15	05143141AA	1	F		48				HOUSING, Differential
16	05143951AA	1	F		48				VENT, Axle
17									SHIM, Drive Pinion Bearing
	05142923AA	1	F		48				1.23mm
	05142924AA	1	F		48				1.27mm
	05142926AA	1	F		48				1.35mm
	05142930AA	1	F		48				1.51mm
	05142928AA	1	F		48				1.43mm
	05142929AA	1	F		48				1.47mm
	05142922AA	1	F		48				1.19mm
	05142927AA	1	F		48				1.39mm
	05142925AA	1	F		48				1.31mm
	05142947AA	1	F		48				1.75mm
	05142945AA	1	F		48				1.67mm
	05142946AA	1	F		48				1.71mm
	05142944AA	1	F		48				1.63mm

MAGNUM/300/CHARGER (LX)

SERIES LINE
 H = HIGHLINE C = CHRYSLER
 P = PREMIUM F = EAGLE
 S = SPORT

BODY
 48 = SEDAN TYPE #8

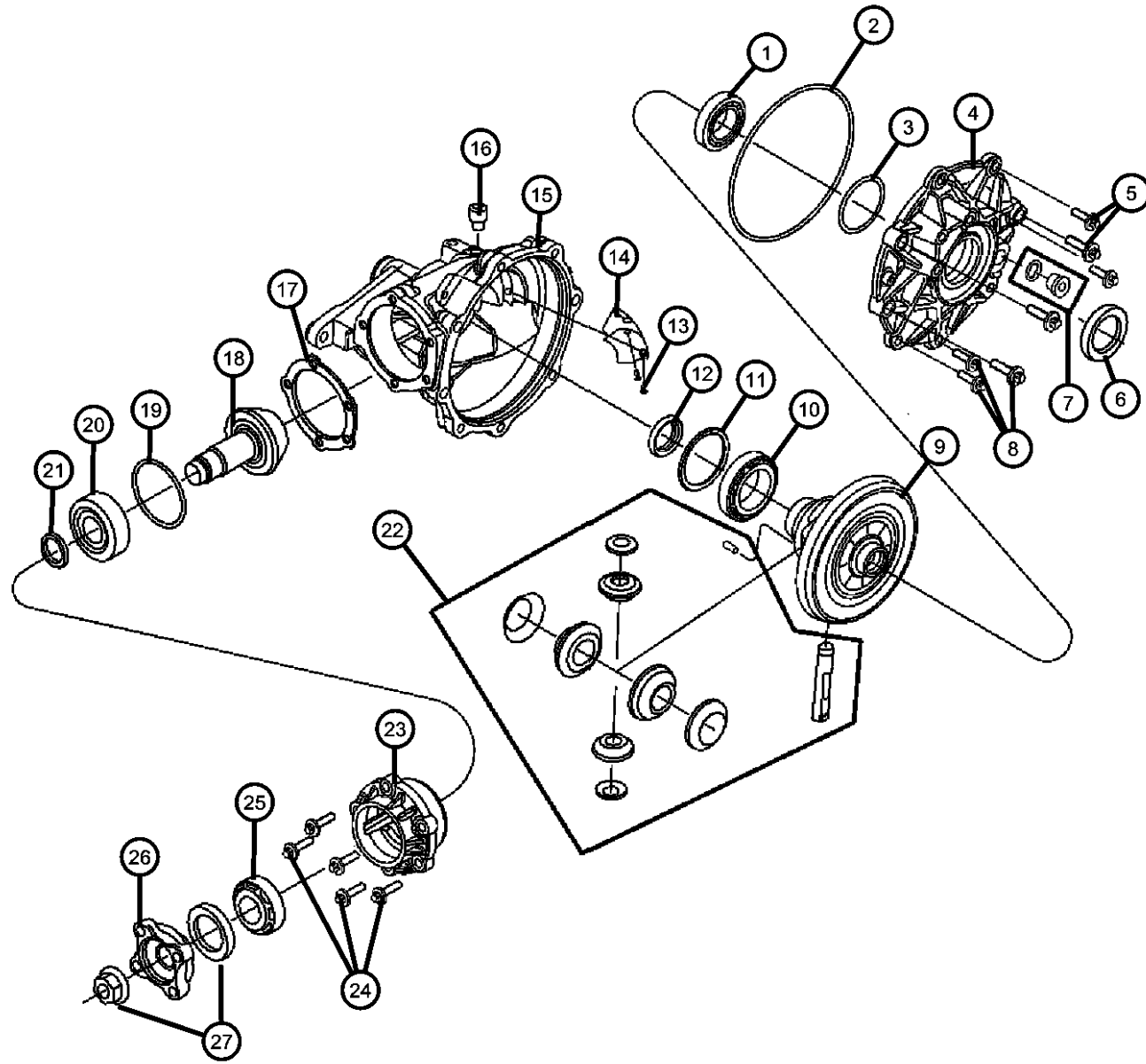
ENGINE
 ERB = 3.XL Mid V6 Engine
 EZH = 5.7L V8 HEMI MDS
 VCT Engine

TRANSMISSION
 DGJ = 5-Speed Auto W5A580
 Transmission

AR = use ase required - = Non illustrated part

2011 LX

Housing and Differential with Internal Components
Figure 3590-110



ITEM	PART NUMBER	QTY	LINE	SERIES	BODY	ENGINE	TRANS	TRIM	DESCRIPTION
	05142931AA	1	F		48				1.55mm
	05142932AA	1	F		48				1.59mm
	05142951AA	1	F		48				1.91mm
	05142952AA	1	F		48				1.95mm
	05142956AA	1	F		48				2.11mm
	05142950AA	1	F		48				1.87mm
	05142948AA	1	F		48				1.79mm
	05142949AA	1	F		48				1.83mm
	05142953AA	1	F		48				1.99mm
	05142954AA	1	F		48				2.03mm
	05142955AA	1	F		48				2.07mm
	05142921AA	1	F		48				1.15mm
18		1							PINION, Differential, Serviced in Assembly see Group 002-410, (NOT SERVICED), O RING
19	05161590AA	1	F		48				BEARING, Drive Pinion
20	05143939AA	1	F		48				SHIM, Drive Pinion Bearing
21									
	05143943AA	1	F		48				9.60mm
	05161647AA	1	F		48				9.63mm
	05161650AA	1	F		48				9.72mm
	05161648AA	1	F		48				9.66mm
	05161649AA	1	F		48				9.69mm
	05161653AA	1	F		48				9.81mm
	05161651AA	1	F		48				9.75mm
	05161652AA	1	F		48				9.78mm
	05161656AA	1	F		48				9.90mm
	05161654AA	1	F		48				9.84mm
	05161655AA	1	F		48				9.87mm
	05161658AA	1	F		48				9.93mm
	05161659AA	1	F		48				9.96mm
	05161663AA	1	F		48				10.08mm
	05161664AA	1	F		48				10.11mm
	05161662AA	1	F		48				10.05mm
	05161671AA	1	F		48				10.29mm
	05161669AA	1	F		48				10.23mm

MAGNUM/300/CHARGER (LX)

SERIES LINE
H = HIGHLINE C = CHRYSLER
P = PREMIUM F = EAGLE
S = SPORT

BODY
48 = SEDAN TYPE #8

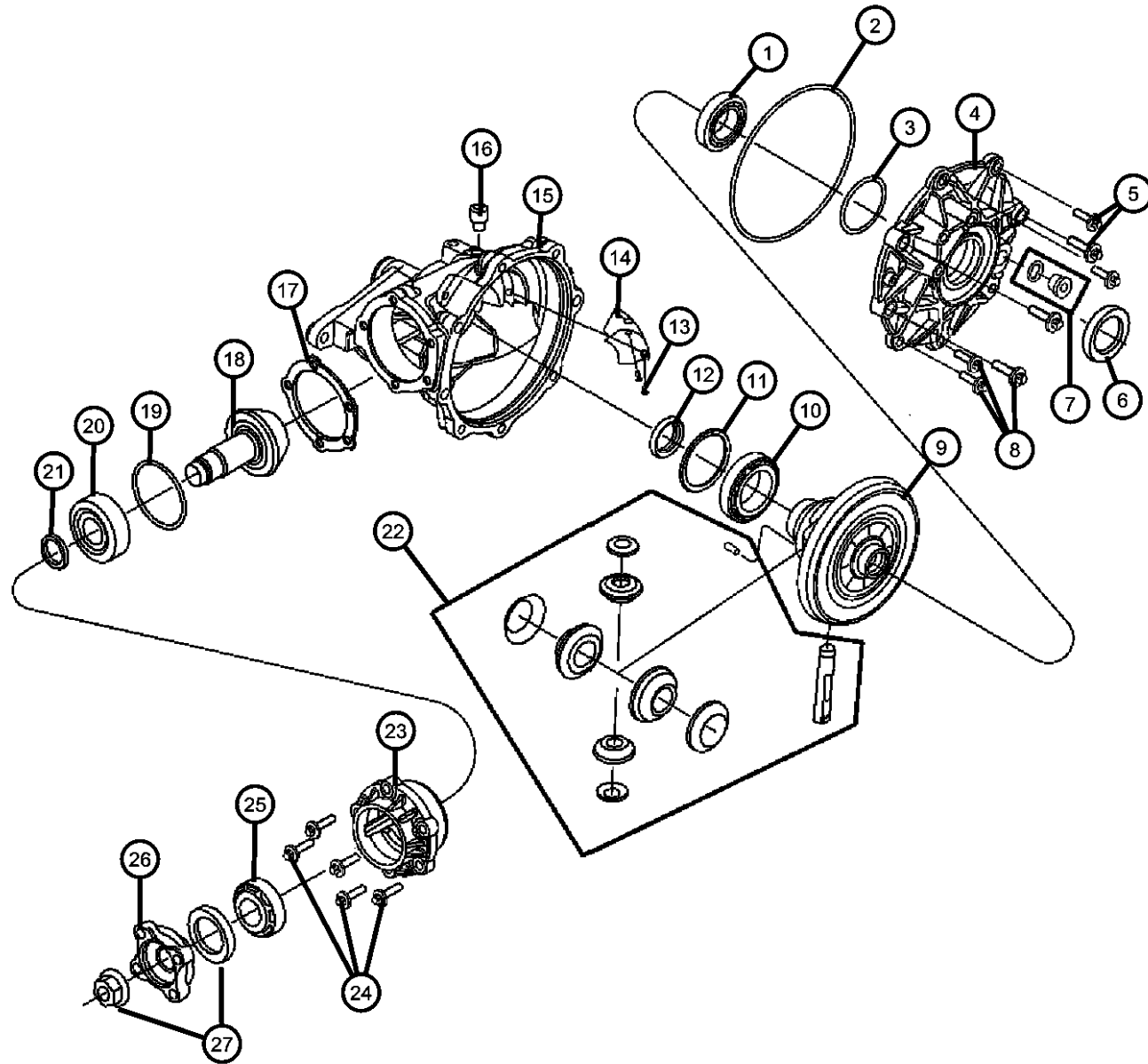
ENGINE
ERB = 3.XL Mid V6 Engine
EZH = 5.7L V8 HEMI MDS
VCT Engine

TRANSMISSION
DGJ = 5-Speed Auto W5A580
Transmission

AR = use ase required - = Non illustrated part

2011 LX

Housing and Differential with Internal Components
Figure 3590-110



ITEM	PART NUMBER	QTY	LINE	SERIES	BODY	ENGINE	TRANS	TRIM	DESCRIPTION
	05161670AA	1	F		48				10.26mm
	05161675AA	1	F		48				10.38mm
	05161667AA	1	F		48				10.20mm
	05161665AA	1	F		48				10.14mm
	05161666AA	1	F		48				10.17mm
	05161678AA	1	F		48				10.47mm
	05161676AA	1	F		48				10.41mm
	05161677AA	1	F		48				10.44mm
	05161681AA	1	F		48				10.56mm
	05161673AA	1	F		48				10.32mm
	05161674AA	1	F		48				10.35mm
	05161682AA	1	F		48				10.59mm
	05161679AA	1	F		48				10.50mm
	05161680AA	1	F		48				10.53mm
	05161660AA	1	F		48				9.99mm
	05161661AA	1	F		48				10.02mm
22	05161683AA	1	F		48				GEAR KIT, Center Differential
23	05143949AA	1	F		48				HOUSING, Axle
24	05143657AA	1	F		48				BOLT, Torx, Front Differential Input Cover, Mounting
25	05143935AA	1	F		48				BEARING, Drive Pinion
26	05143947AA	1	F		48				FLANGE, Output
27	05161591AA	1	F		48				NUT, Pinion

MAGNUM/300/CHARGER (LX)

SERIES LINE
H = HIGHLINE C = CHRYSLER
P = PREMIUM F = EAGLE
S = SPORT

BODY
48 = SEDAN TYPE #8

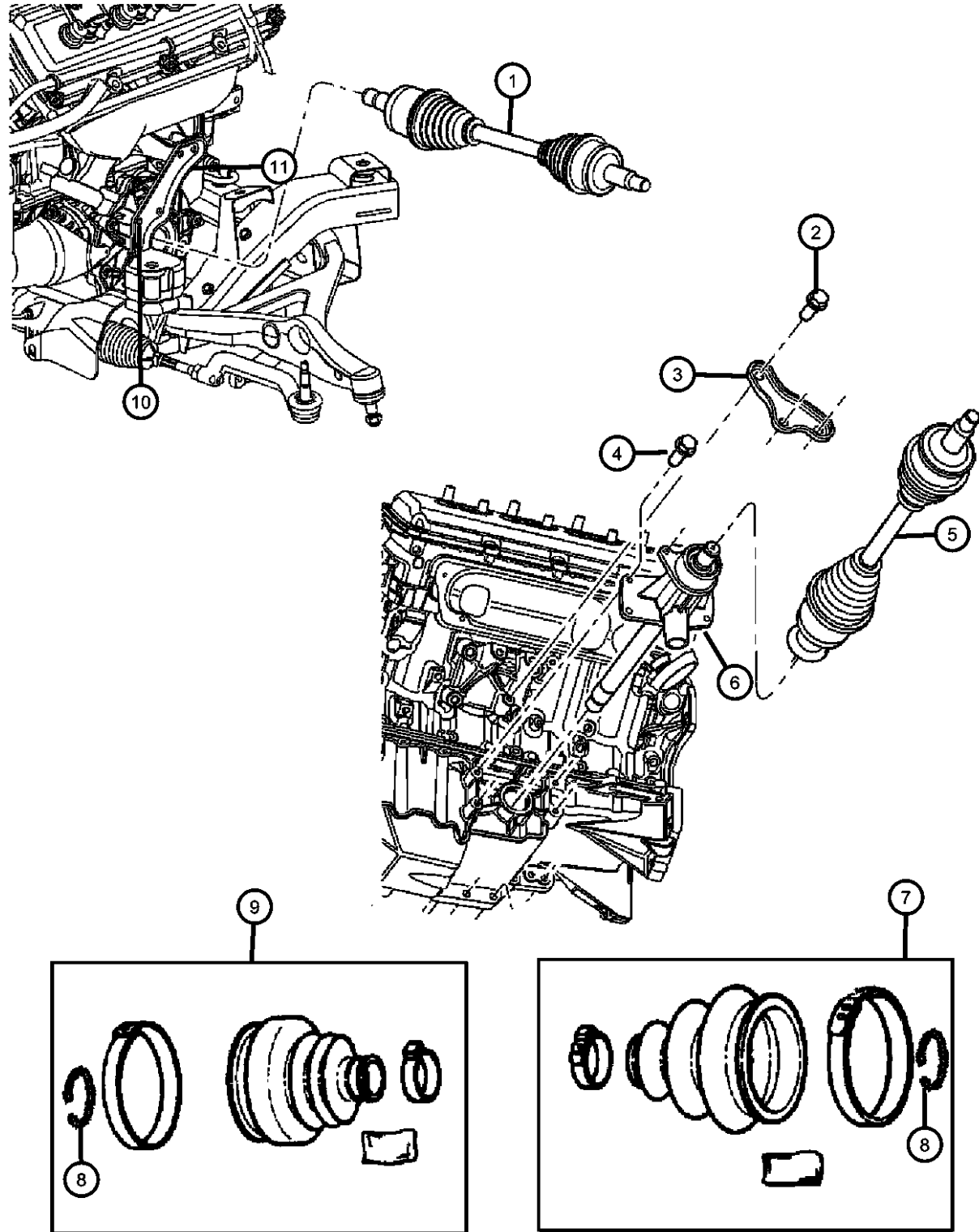
ENGINE
ERB = 3.XL Mid V6 Engine
EZH = 5.7L V8 HEMI MDS
VCT Engine

TRANSMISSION
DGJ = 5-Speed Auto W5A580
Transmission

AR = use ase required - = Non illustrated part

2011 LX

Shafts, Axle
Figure 3590-305



ITEM	PART NUMBER	QTY	LINE	SERIES	BODY	ENGINE	TRANS	TRIM	DESCRIPTION
1	04578600AA	1	F		48				SHAFT, Axle HalfRight
2	06101503	3	F		48				BOLT AND WASHER, Hex Head, M10X1.50X25.00, Bearing Block Support Bracket, Mounting
3	04726071AA	1	F		48				BRACKETLeft
4	06101982	4	F		48				SCREW AND WASHER, Hex Head, M8x1.25x30, Intermediate Shaft to Engine Bracket, Mounting
5	04578601AA	1	F		48				SHAFT, Axle HalfLeft
6	68067528AA	1	F		48				SHAFT, Intermediate
7	05142216AA	1	F		48				BOOT KIT, Half Shaft
8	05142217AA	1	F		48				CIRCLIP, Half Shaft
9	05142215AA	1	F		48				BOOT KIT, Half Shaft
10									BOLT AND WASHER, Hex Head, M8X1.25X25.00
	06101611	3	F		48				Diff Support Bracket to Diff, Mounting
		2	F		48				Diff Support Bracket to Engine Bracket, Mounting
11	04578174AA	1	F		48				BRACKETRight

MAGNUM/300/CHARGER (LX)

SERIES LINE
H = HIGHLINE C = CHRYSLER
P = PREMIUM F = EAGLE
S = SPORT

BODY
48 = SEDAN TYPE #8

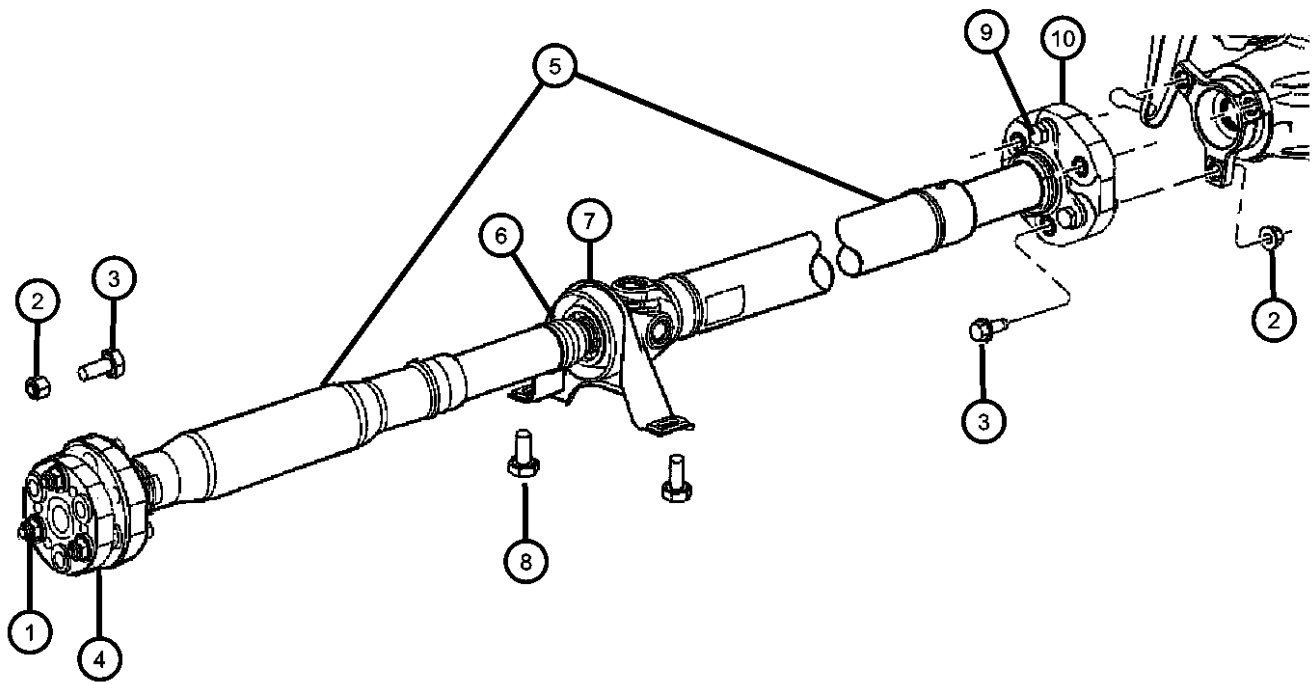
ENGINE
ERB = 3.XL Mid V6 Engine
EZH = 5.7L V8 HEMI MDS
VCT Engine

TRANSMISSION
DGJ = 5-Speed Auto W5A580
Transmission

AR = use ase required - = Non illustrated part

2011 LX

Shaft, Drive, Rear
Figure 3590-605



ITEM	PART NUMBER	QTY	LINE	SERIES	BODY	ENGINE	TRANS	TRIM	DESCRIPTION
1	05139904AA	1	F		48				BOLT KIT
2									NUT, Locking
	06509330AA	3	C, F, Z		48				Driveshaft to Differential, Mounting
		3	C, F, Z		48				Driveshaft to Transmission, Mounting
3									SCREW AND WASHER
	06509568AA	3	C, F, Z		48				Driveshaft to Differential, Mounting
		3	C, F, Z		48				Driveshaft to Transmission, Mounting
4									COUPLING PKG, Driveshaft
	05127289AA	1	F		48				[ERB]
	05127291AA	1	F		48				[EZH]
5									SHAFT, Drive, Rear 2-Piece
	04593860AC	1	F		48				[ERB]
	04593866AB	1	F		48				[EZH]
6	05127288AA	1	F		48				BOOT, Driveshaft
7	05161435AA	1	F		48				BEARING, Drive Shaft
8	06504179	2	C, F, Z		48				BOLT AND CONED WASHER, Hex Head, M8X1.25X40.00, Center Bearing to Underbody, Mounting
9									BOLT KIT
	05166336AA	1	F		48				[EZH] Coupling Bolt Kit
		1	F		48				[ERB] Coupling Bolt Kit, Non Police Vehicle
	68087045AA	1	F		48				[ERB] Coupling Bolt Kit, Police Vehicle
10									COUPLING PKG, Driveshaft
	05166337AA	1	F		48				[ERB]
	05166338AA	1	F		48				[EZH]

MAGNUM/300/CHARGER (LX)

SERIES LINE
H = HIGHLINE C = CHRYSLER
P = PREMIUM F = EAGLE
S = SPORT

BODY
48 = SEDAN TYPE #8

ENGINE
ERB = 3.XL Mid V6 Engine
EZH = 5.7L V8 HEMI MDS VCT Engine

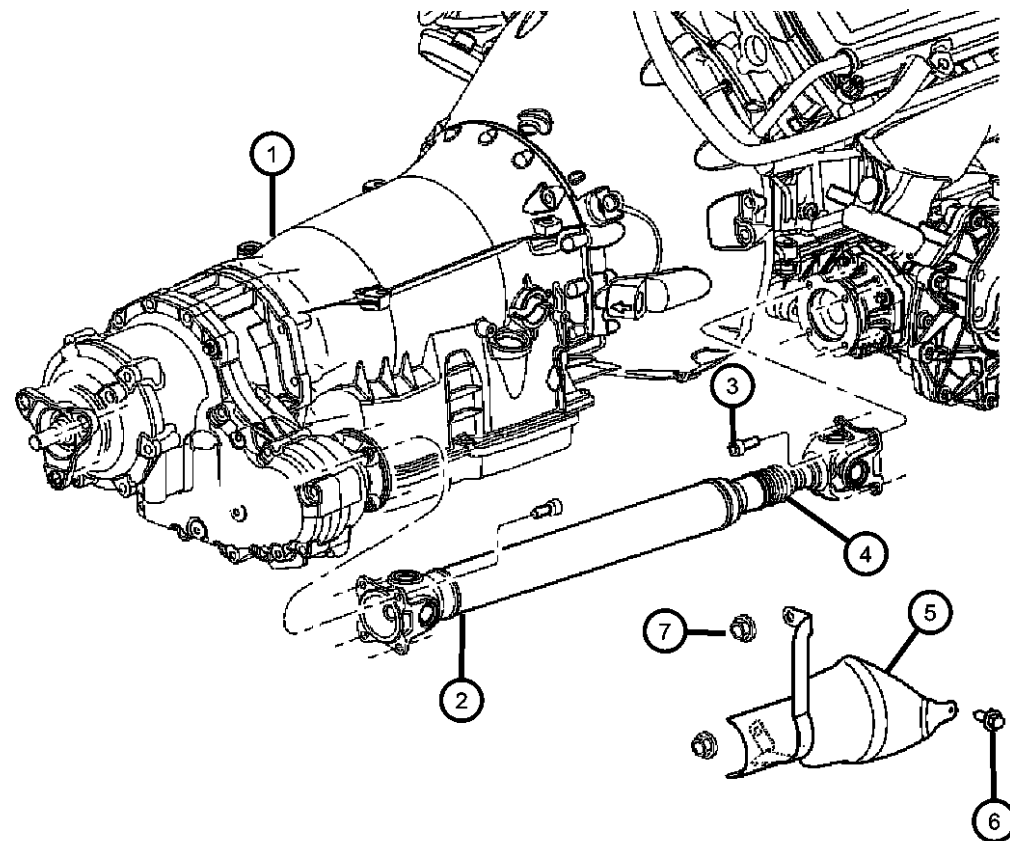
TRANSMISSION
DGJ = 5-Speed Auto W5A580 Transmission

AR = use ase required - = Non illustrated part

2011 LX

Shaft, Drive, Front
Figure 3590-610

ITEM	PART NUMBER	QTY	LINE	SERIES	BODY	ENGINE	TRANS	TRIM	DESCRIPTION
1		1							TRANSMISSION, 5 Speed, See [NAG1] Transmission Group For Part Number, (NOT SERVICED), SHAFT, Drive, Front
2	04593542AB	1	F		48				BOLT, Front Prop Shaft to Diff/Transfer Case, Mounting
3	06508295AA	8	F		48				BOOT, Driveshaft
4	05142379AA	1	F		48				SHIELD, Heat
5	04591982AA	1	E, F						SCREW AND WASHER, Hex Head, M6x1x12, Front Prop Heat Shield to Trans Pan, Mounting
6	06101221	1	C, F, Z		48				NUT AND WASHER, Hex, M8x1.25, Heat Shield to Transmission, Mounting
7	06101809	2	C, F, Z		48				



MAGNUM/300/CHARGER (LX)

SERIES LINE
H = HIGHLINE C = CHRYSLER
P = PREMIUM F = EAGLE
S = SPORT

BODY
48 = SEDAN TYPE #8

ENGINE
ERB = 3.XL Mid V6 Engine
EZH = 5.7L V8 HEMI MDS
VCT Engine

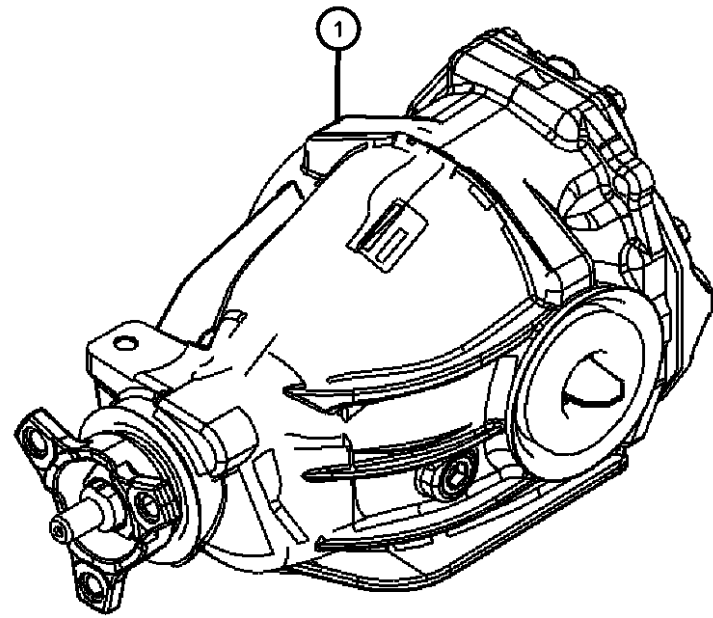
TRANSMISSION
DGJ = 5-Speed Auto W5A580
Transmission

AR = use ase required - = Non illustrated part

2011 LX

**Axle Assembly
Figure 3590-705**

ITEM	PART NUMBER	QTY	LINE	SERIES	BODY	ENGINE	TRANS	TRIM	DESCRIPTION
1									DIFFERENTIAL, Rear Axle
	04593844AA	1	C, F, Z		48				[DMM], [ERB]
	04593853AA	1	C, F, Z		48				[DMP], [EZH]
	68040265AA	1	C, F, Z		48				[DLC], [EZH]
	68041031AA	1	C, F, Z		48				[DLC], [ERB]



MAGNUM/300/CHARGER (LX)

SERIES LINE
H = HIGHLINE C = CHRYSLER
P = PREMIUM F = EAGLE
S = SPORT

BODY
48 = SEDAN TYPE #8

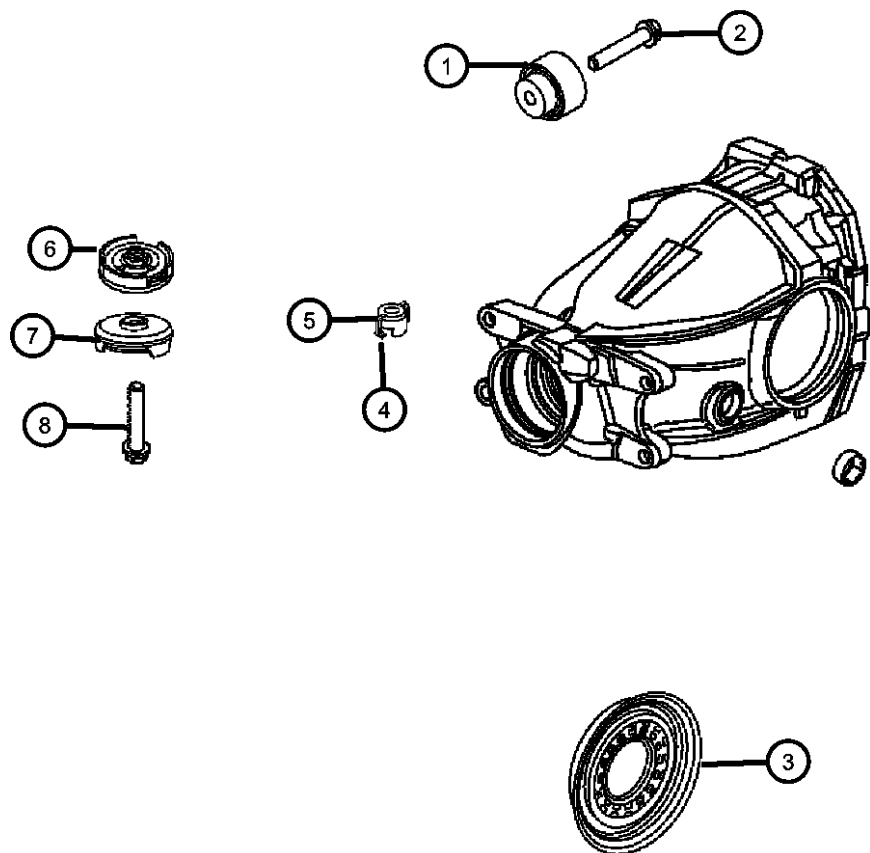
ENGINE
ERB = 3.XL Mid V6 Engine
EZH = 5.7L V8 HEMI MDS
VCT Engine

TRANSMISSION
DGJ = 5-Speed Auto W5A580
Transmission

AR = use ase required - = Non illustrated part

Housing & Differential with Internal Parts
Figure 3590-805

ITEM	PART NUMBER	QTY	LINE	SERIES	BODY	ENGINE	TRANS	TRIM	DESCRIPTION
1	04578084AC	2	C, F, Z		48				MOUNT, Differential
2	06507311AA	2	C, F, Z		48				SCREW AND WASHER, Hex Head, Diff Carrier to Subframe Rear, Mounting
3	68014931AA	2	C, F, Z		48				SEAL, Axle Drive Shaft
4	05170944AB	1	C, F, Z		48				VENT, Axle
5	05175968AB	1	C, F, Z		48				VENT PKG., Differential, Consists of Vent Tube with Element & Vent Cap
6	04578085AA	1	C, F, Z		48				MOUNT, Differential
7	04578191AA	1	C, F, Z		48				MOUNT, Differential
8	06102382AA	1	C, F, Z		48				SCREW, Cap, Diff Carrier to Subframe Front, Mounting



MAGNUM/300/CHARGER (LX)

SERIES LINE
H = HIGHLINE C = CHRYSLER
P = PREMIUM F = EAGLE
S = SPORT

BODY
48 = SEDAN TYPE #8

ENGINE
ERB = 3.XL Mid V6 Engine
EZH = 5.7L V8 HEMI MDS
VCT Engine

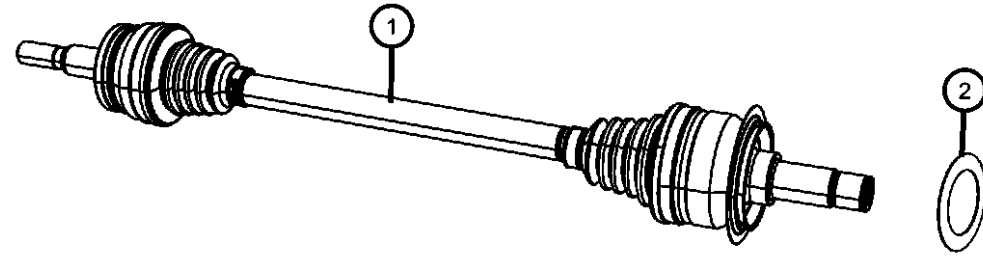
TRANSMISSION
DGJ = 5-Speed Auto W5A580
Transmission

AR = use ase required - = Non illustrated part

2011 LX

**Shafts, Axle
Figure 3590-905**

ITEM	PART NUMBER	QTY	LINE	SERIES	BODY	ENGINE	TRANS	TRIM	DESCRIPTION
1									SHAFT, Axle Half
	05180492AC	1	F		48				[DPP], Right
	05180493AC	1	F		48				[DPP], Left
	05180495AC	1	F		48				[DRD], Left
	05180494AC	1	F		48				[DRD], Right
2	04809863AC	1	C, F, Z		48				GASKET, Front halfshaft/hub



MAGNUM/300/CHARGER (LX)

SERIES LINE
H = HIGHLINE C = CHRYSLER
P = PREMIUM F = EAGLE
S = SPORT

BODY
48 = SEDAN TYPE #8

ENGINE
ERB = 3.XL Mid V6 Engine
EZH = 5.7L V8 HEMI MDS
VCT Engine

TRANSMISSION
DGJ = 5-Speed Auto W5A580
Transmission

AR = use ase required - = Non illustrated part

Group - 0035ZV

Rear Wheel Drive; Differential and Drive Line

Group - 0035ZV Rear Wheel Drive; Differential and Drive Line

Illustration Title

Group-Fig. No.

Drive Shaft

Shaft, Drive Fig. 0035ZV - 605

Rear Axle Assembly

Axle Assembly Fig. 0035ZV - 705

Rear Axle; Housing, Differential and Vent

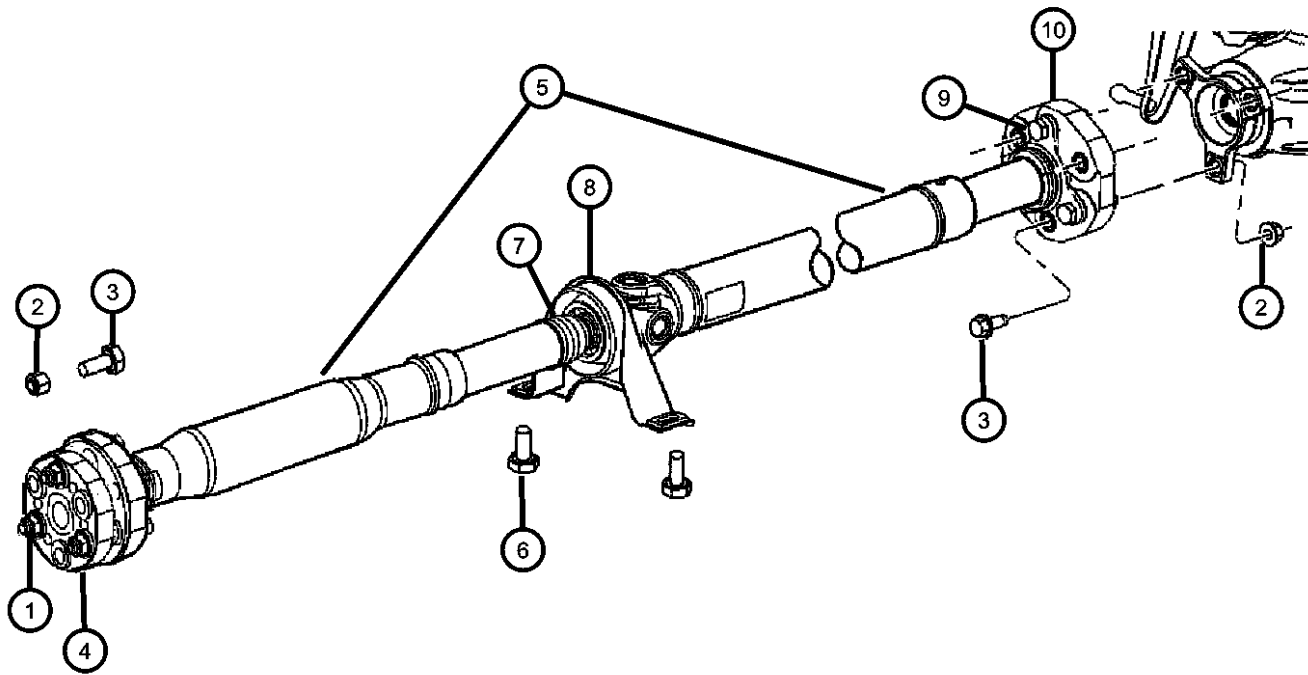
Housing & Differential with Internal components [RWD] Fig. 0035ZV - 805

Rear Axle Shafts

Shafts, Axle Fig. 0035ZV - 905

0035ZV-600 Drive Shaft	0035ZV-700 Rear Axle Assembly	0035ZV-800 Rear Axle; Housing, Differential and Vent	0035ZV-900 Rear Axle Shafts
----------------------------------	---	---	---------------------------------------

**Shaft, Drive
Figure 0035ZV-605**



ITEM	PART NUMBER	QTY	LINE	SERIES	BODY	ENGINE	TRANS	TRIM	DESCRIPTION
1	05139904AA	1	C, Z		48				BOLT KIT
2									NUT, Locking
	06509330AA	3	C, F, Z		48				Driveshaft to Differential, Mounting
		3	C, F, Z		48				Driveshaft to Transmission, Mounting
3									SCREW AND WASHER
	06509568AA	3	C, F, Z		48				Driveshaft to Transmission, Mounting
		3	C, F, Z		48				Driveshaft to Differential, Mounting
4									COUPLING PKG, Driveshaft
	05127291AA	1	C, Z		48				[EZH]
	05127289AA	1	C, Z		48				[ERB]
5									SHAFT, Drive, Rear 2-Piece
	04578036AG	1	C, Z		48				[EZH]
	04593681AC	1	C, Z		48				[ERB]
6	06504179	2	C, F, Z		48				BOLT AND CONED WASHER, Hex Head, M8X1.25X40.00, Center Bearing to Underbody, Mounting
7	05127288AA	1	C, Z		48				BOOT, Driveshaft
8	05161435AA	1	C, Z		48				BEARING, Drive Shaft
9									BOLT KIT
	05166336AA	1	C, Z		48				[EZH] Coupling Bolt Kit
		1	C, Z		48				[ERB] Coupling Bolt Kit, Non Police Vehicles
	68087045AA	1	C, Z		48				[ERB] Coupling Bolt Kit, Police Vehicles
10									COUPLING PKG, Driveshaft
	05127289AA	1	C, Z		48				[ERB]
	05166338AA	1	C, Z		48				[EZH]

MAGNUM/300/CHARGER (LX)

SERIES LINE
H = HIGHLINE C = CHRYSLER
P = PREMIUM F = EAGLE
S = SPORT

BODY
48 = SEDAN TYPE #8

ENGINE
ERB = 3.XL Mid V6 Engine
EZH = 5.7L V8 HEMI MDS VCT Engine

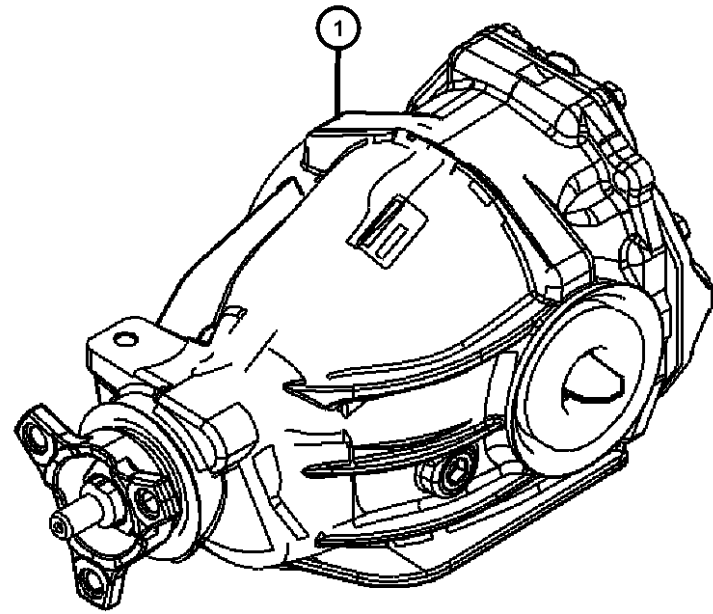
TRANSMISSION
DGJ = 5-Speed Auto W5A580 Transmission

AR = use ase required - = Non illustrated part

2011 LX

**Axle Assembly
Figure 0035ZV-705**

ITEM	PART NUMBER	QTY	LINE	SERIES	BODY	ENGINE	TRANS	TRIM	DESCRIPTION
1									DIFFERENTIAL, Rear Axle
	04593844AA	1	C, F, Z		48				[DMM], [ERB]
	04593853AA	1	C, F, Z		48				[DMP], [EZH]
	68040265AA	1	C, F, Z		48				[DLC], [EZH]
	68041031AA	1	C, F, Z		48				[DLC], [ERB]



MAGNUM/300/CHARGER (LX)

SERIES LINE
H = HIGHLINE C = CHRYSLER
P = PREMIUM F = EAGLE
S = SPORT

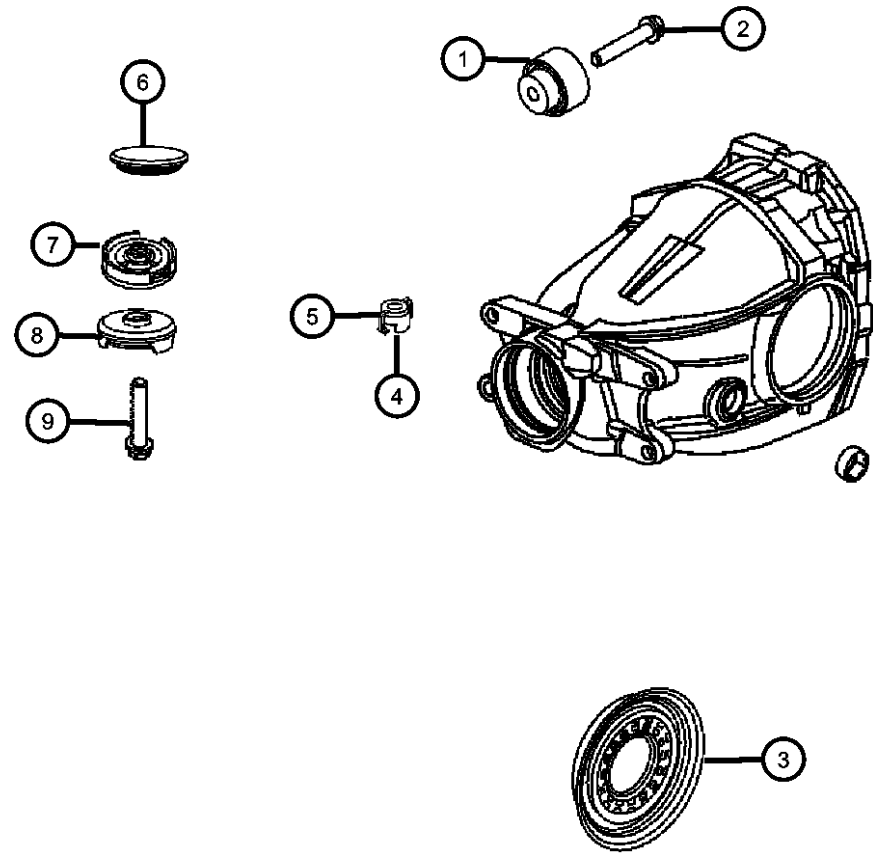
BODY
48 = SEDAN TYPE #8

ENGINE
ERB = 3.XL Mid V6 Engine
EZH = 5.7L V8 HEMI MDS
VCT Engine

TRANSMISSION
DGJ = 5-Speed Auto W5A580
Transmission

AR = use ase required - = Non illustrated part

Housing & Differential with Internal components [RWD]
Figure 0035ZV-805



ITEM	PART NUMBER	QTY	LINE	SERIES	BODY	ENGINE	TRANS	TRIM	DESCRIPTION
1	04578084AC	2	C, F, Z		48				MOUNT, Differential
2	06507311AA	2	C, F, Z		48				SCREW AND WASHER, Hex Head, Diff & Carrier to Subframe Rear, Mounting
3	68014931AA	2	C, F, Z		48				SEAL, Axle Drive Shaft
4	05170944AB	1	C, F, Z		48				VENT, Axle
5	05175968AB	1	C, F, Z		48				VENT PKG., Differential, Consists of Vent Tube with Element & Vent Cap
6	04578296AA	1	C, F, Z		48				CAP, Dust Shield
7	04578085AA	1	C, F, Z		48				MOUNT, Differential
8	04578191AA	1	C, F, Z		48				MOUNT, Differential
9	06102382AA	1	C, F, Z		48				SCREW, Cap, Diff Carrier to Subframe Front, Mounting

MAGNUM/300/CHARGER (LX)

SERIES LINE
H = HIGHLINE C = CHRYSLER
P = PREMIUM F = EAGLE
S = SPORT

BODY
48 = SEDAN TYPE #8

ENGINE
ERB = 3.XL Mid V6 Engine
EZH = 5.7L V8 HEMI MDS
VCT Engine

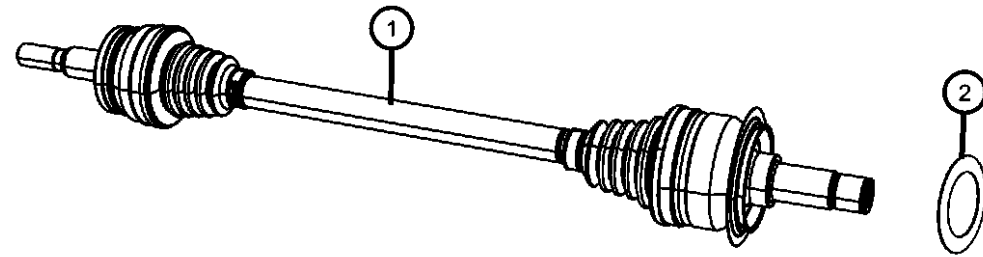
TRANSMISSION
DGJ = 5-Speed Auto W5A580
Transmission

AR = use ase required - = Non illustrated part

2011 LX

Shafts, Axle
Figure 0035ZV-905

ITEM	PART NUMBER	QTY	LINE	SERIES	BODY	ENGINE	TRANS	TRIM	DESCRIPTION
1									SHAFT, Axle Half
	04726011AA	1	C, Z		48				[DRD], Right
	68080381AA	1	C, Z		48				[DPP], Left
	04726009AA	1	C, Z		48				[DRD], Left
	68080382AA	1	C, Z		48				[DPP], Right
2	04809863AC	1	C, F, Z		48				GASKET, Front halfshaft/hub



MAGNUM/300/CHARGER (LX)

SERIES LINE
H = HIGHLINE C = CHRYSLER
P = PREMIUM F = EAGLE
S = SPORT

BODY
48 = SEDAN TYPE #8

ENGINE
ERB = 3.XL Mid V6 Engine
EZH = 5.7L V8 HEMI MDS
VCT Engine

TRANSMISSION
DGJ = 5-Speed Auto W5A580
Transmission

AR = use ase required - = Non illustrated part

2011 LX

Group - 5

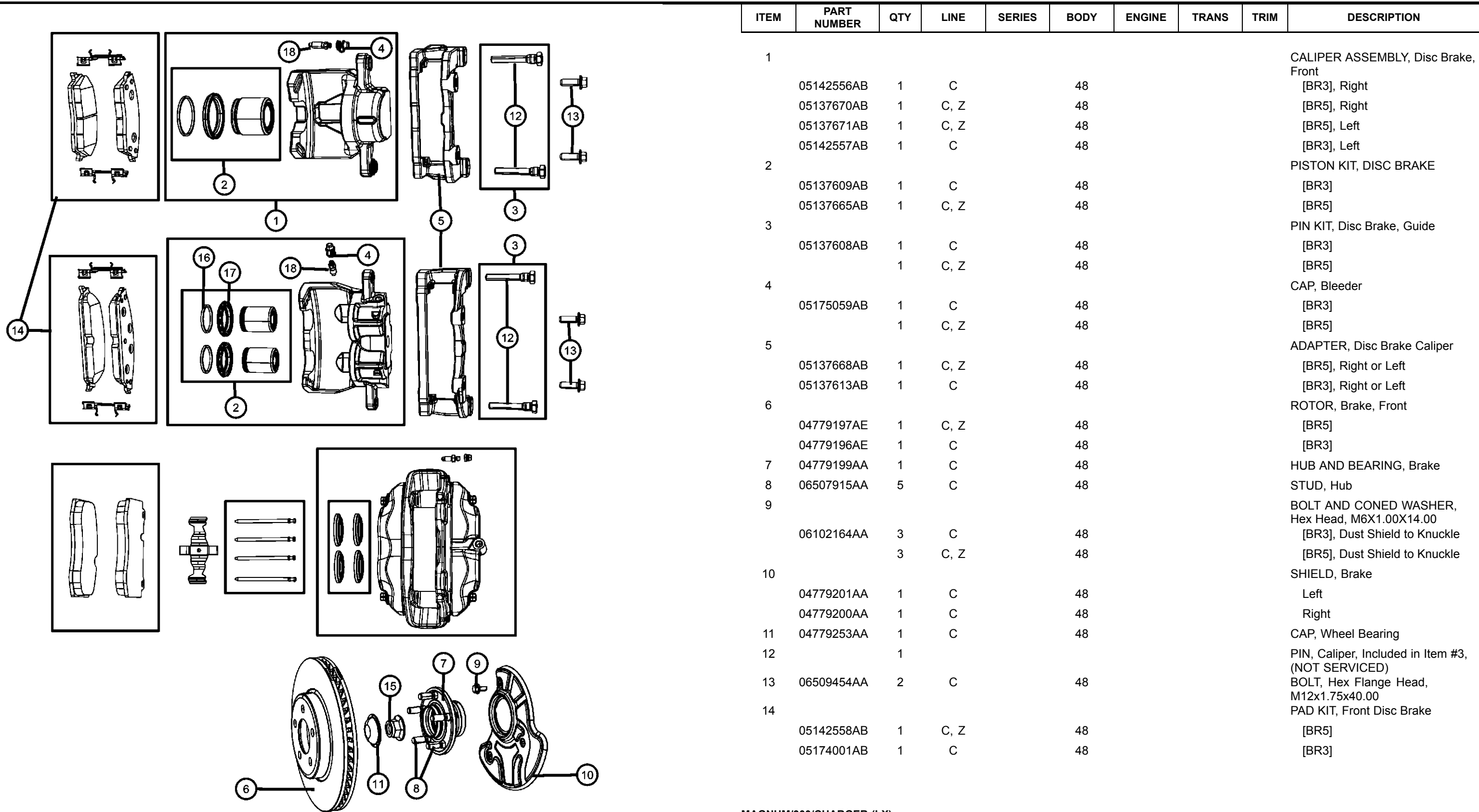
Brakes

Group - 5 Brakes

Illustration Title	Group-Fig. No.
Front Brakes	
Brakes,Front,RWD	Fig. 5 - 105
Brakes,Front,AWD	Fig. 5 - 110
Rear Brakes	
Brakes, Rear, Disc	Fig. 5 - 205
Power Brake Booster	
Booster and Pump, Vacuum Power Brake	Fig. 5 - 305
Brake Master Cylinder	
Master Cylinder, RWD, AWD	Fig. 5 - 405
Hydraulic Control Unit, Brake Tubes and Hoses	
ABS Hydraulic Unit and Module	Fig. 5 - 505
Front Brake Lines and Hoses	Fig. 5 - 510
Front Brake Lines and Hoses	Fig. 5 - 515
Front Brake Lines and Hoses	Fig. 5 - 520
Brake Tubes,Rear	Fig. 5 - 525
Brake Pedals	
Pedal,Brake,Auto Trans	Fig. 5 - 605
Pedal,Brake,Power Adjust and Memory	Fig. 5 - 615
Parking Brake Lever, Cables, and Rear Disc Park Brake Assembly	
Park Brake Lever and Cables	Fig. 5 - 705
Park Brake Assembly,Rear Disc	Fig. 5 - 725

005-100 Front Brakes	005-200 Rear Brakes	005-300 Power Brake Booster	005-400 Brake Master Cylinder
005-500 Hydraulic Control Unit, Brake Tubes and Hoses	005-600 Brake Pedals	005-700 Parking Brake Lever, Cables, and Rear Disc Park Brake Assembly	

Brakes,Front,RWD
Figure 5-105



ITEM	PART NUMBER	QTY	LINE	SERIES	BODY	ENGINE	TRANS	TRIM	DESCRIPTION
1	05142556AB	1	C		48				CALIPER ASSEMBLY, Disc Brake, Front
	05137670AB	1	C, Z		48				[BR3], Right
	05137671AB	1	C, Z		48				[BR5], Right
	05142557AB	1	C		48				[BR3], Left
2	05137609AB	1	C		48				PISTON KIT, DISC BRAKE
	05137665AB	1	C, Z		48				[BR3]
									[BR5]
3	05137608AB	1	C		48				PIN KIT, Disc Brake, Guide
		1	C, Z		48				[BR3]
									[BR5]
4	05175059AB	1	C		48				CAP, Bleeder
		1	C, Z		48				[BR3]
									[BR5]
5	05137668AB	1	C, Z		48				ADAPTER, Disc Brake Caliper
	05137613AB	1	C		48				[BR5], Right or Left
									[BR3], Right or Left
6	04779197AE	1	C, Z		48				ROTOR, Brake, Front
	04779196AE	1	C		48				[BR5]
									[BR3]
7	04779199AA	1	C		48				HUB AND BEARING, Brake
8	06507915AA	5	C		48				STUD, Hub
9	06102164AA	3	C		48				BOLT AND CONED WASHER, Hex Head, M6X1.00X14.00
		3	C, Z		48				[BR3], Dust Shield to Knuckle
									[BR5], Dust Shield to Knuckle
10	04779201AA	1	C		48				SHIELD, Brake
	04779200AA	1	C		48				Left
									Right
11	04779253AA	1	C		48				CAP, Wheel Bearing
12		1							PIN, Caliper, Included in Item #3, (NOT SERVICED)
13	06509454AA	2	C		48				BOLT, Hex Flange Head, M12x1.75x40.00
14	05142558AB	1	C, Z		48				PAD KIT, Front Disc Brake
	05174001AB	1	C		48				[BR5]
									[BR3]

MAGNUM/300/CHARGER (LX)

SERIES LINE
H = HIGHLINE C = CHRYSLER
P = PREMIUM F = EAGLE
S = SPORT

BODY
48 = SEDAN TYPE #8

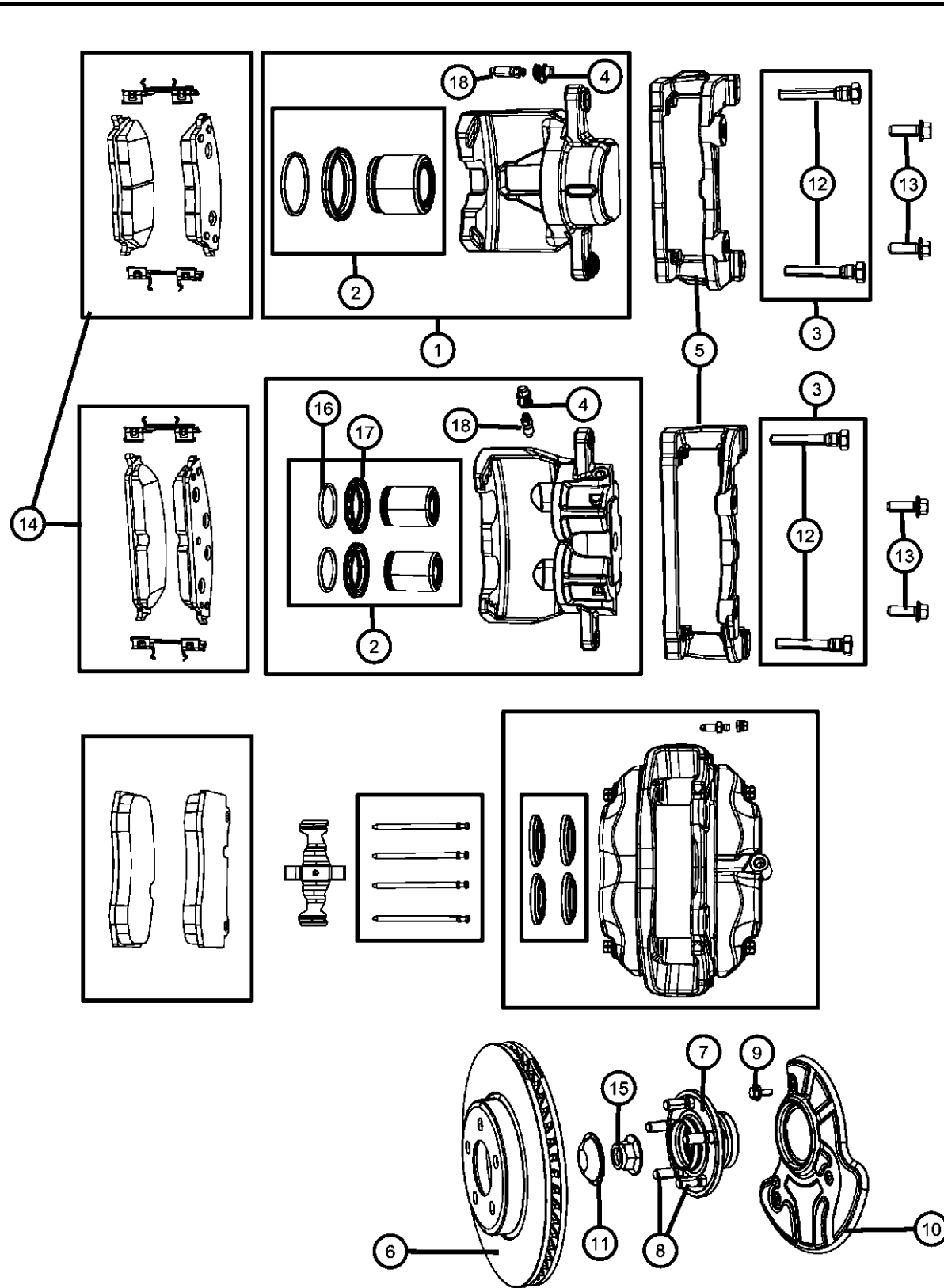
ENGINE
ERB = 3.XL Mid V6 Engine
EZH = 5.7L V8 HEMI MDS
VCT Engine

TRANSMISSION
DGJ = 5-Speed Auto W5A580
Transmission

AR = use ase required - = Non illustrated part

2011 LX

Brakes,Front,RWD
Figure 5-105



ITEM	PART NUMBER	QTY	LINE	SERIES	BODY	ENGINE	TRANS	TRIM	DESCRIPTION
15	06504007	1	C, Z		48				NUT, Axle Hub
16		1							SEAL, Caliper Piston, Included in Item #2, (NOT SERVICED)
17		1							BOOT, Brake Piston, Included in Item #2, (NOT SERVICED)
18									BLEEDER SCREW, Brake
	05137612AB	1	C		48				[BR3]
	05137667AB	1	C, Z		48				[BR5]

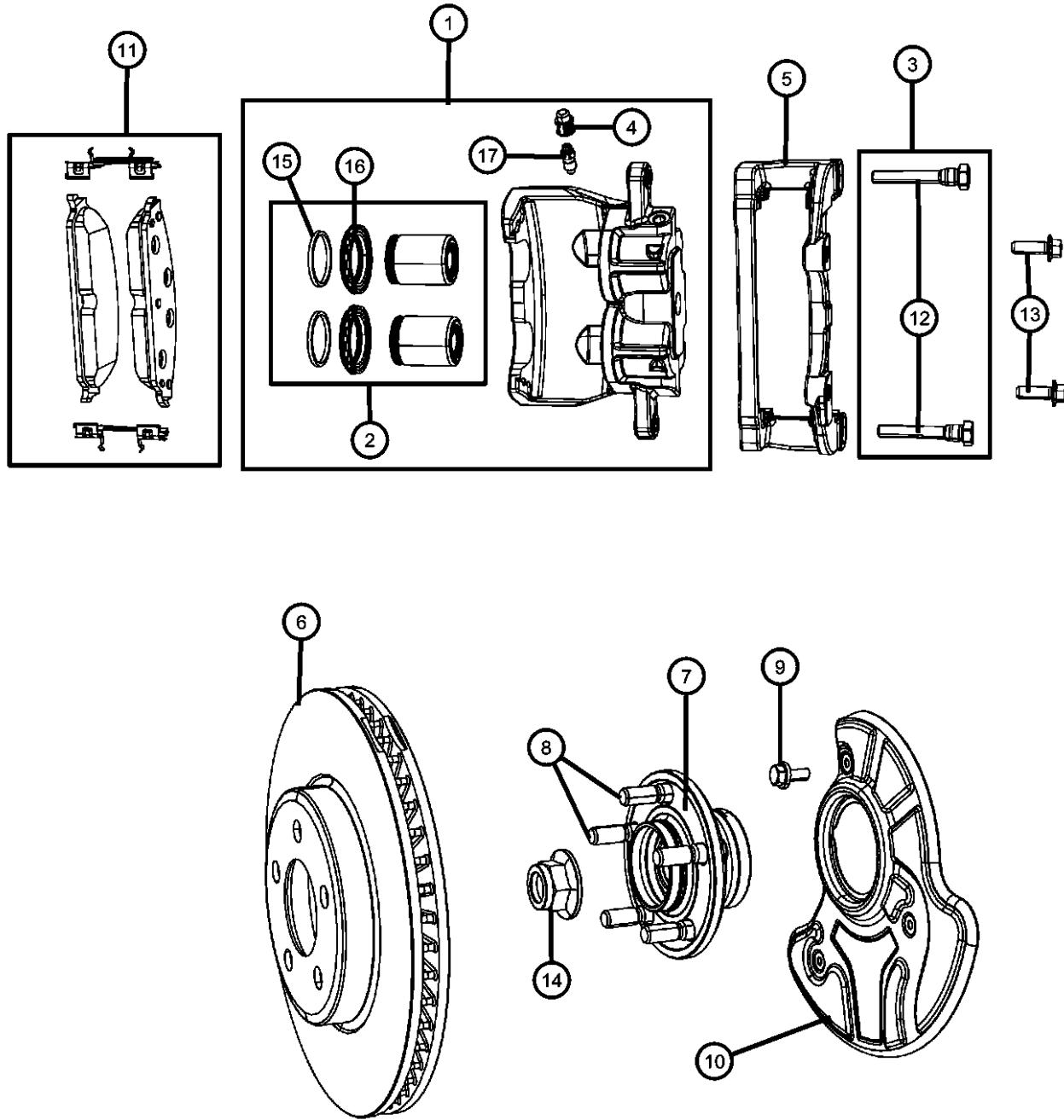
MAGNUM/300/CHARGER (LX)

SERIES	LINE	BODY	ENGINE	TRANSMISSION
H = HIGHLINE	C = CHRYSLER	48 = SEDAN TYPE #8	ERB = 3.XL Mid V6 Engine	DGJ = 5-Speed Auto W5A580
P = PREMIUM	F = EAGLE		EZH = 5.7L V8 HEMI MDS	Transmission
S = SPORT			VCT Engine	

AR = use ase required - = Non illustrated part

Brakes,Front,AWD
Figure 5-110

ITEM	PART NUMBER	QTY	LINE	SERIES	BODY	ENGINE	TRANS	TRIM	DESCRIPTION
1	05137670AB	1	F		48				CALIPER ASSEMBLY, Disc Brake, FrontRight or Left
2	05137665AB	1	F		48				PISTON KIT, DISC BRAKE, Contains 2 Pistons 2 Seals 2 Boots
3	05137608AB	1	F		48				PIN KIT, Disc Brake, Guide
4		1							CAP, Bleeder, (NOT SERVICED)
5									ADAPTER, Disc Brake Caliper
	05137668AB	1	F		48				Right
	05137669AB	1	F		48				Left
6	04779197AE	1	F		48				ROTOR, Brake, Front
7	04779328AB	1	F		48				HUB AND BEARING, Brake
8	06507915AA	5	C, F, Z		48				STUD, Hub
9	06507234AA	4	F		48				SCREW, 6 Lobed
10									SHIELD, Brake
	04779326AA	1	F		48				Right
	04779327AA	1	F		48				Left
11	05142558AB	1	F		48				PAD KIT, Front Disc Brake, Contains Pads and Slippers
12		1							PIN, Caliper, Available in Item #3, (NOT SERVICED)
13	06505832AA	2	F		48				BOLT, Hex Flange Head, M12X1.75X45.00, Attach Caliper to Knuckle
14	06506263AA	1	F		48				NUT, Hex Flange Lock
15		1							SEAL, Caliper Piston, Available in Item #2, (NOT SERVICED)
16		1							BOOT, Brake Piston, Available in Item #2, (NOT SERVICED)
17	05137667AB	1	F		48				BLEEDER SCREW, Brake



MAGNUM/300/CHARGER (LX)

SERIES LINE
H = HIGHLINE C = CHRYSLER
P = PREMIUM F = EAGLE
S = SPORT

BODY
48 = SEDAN TYPE #8

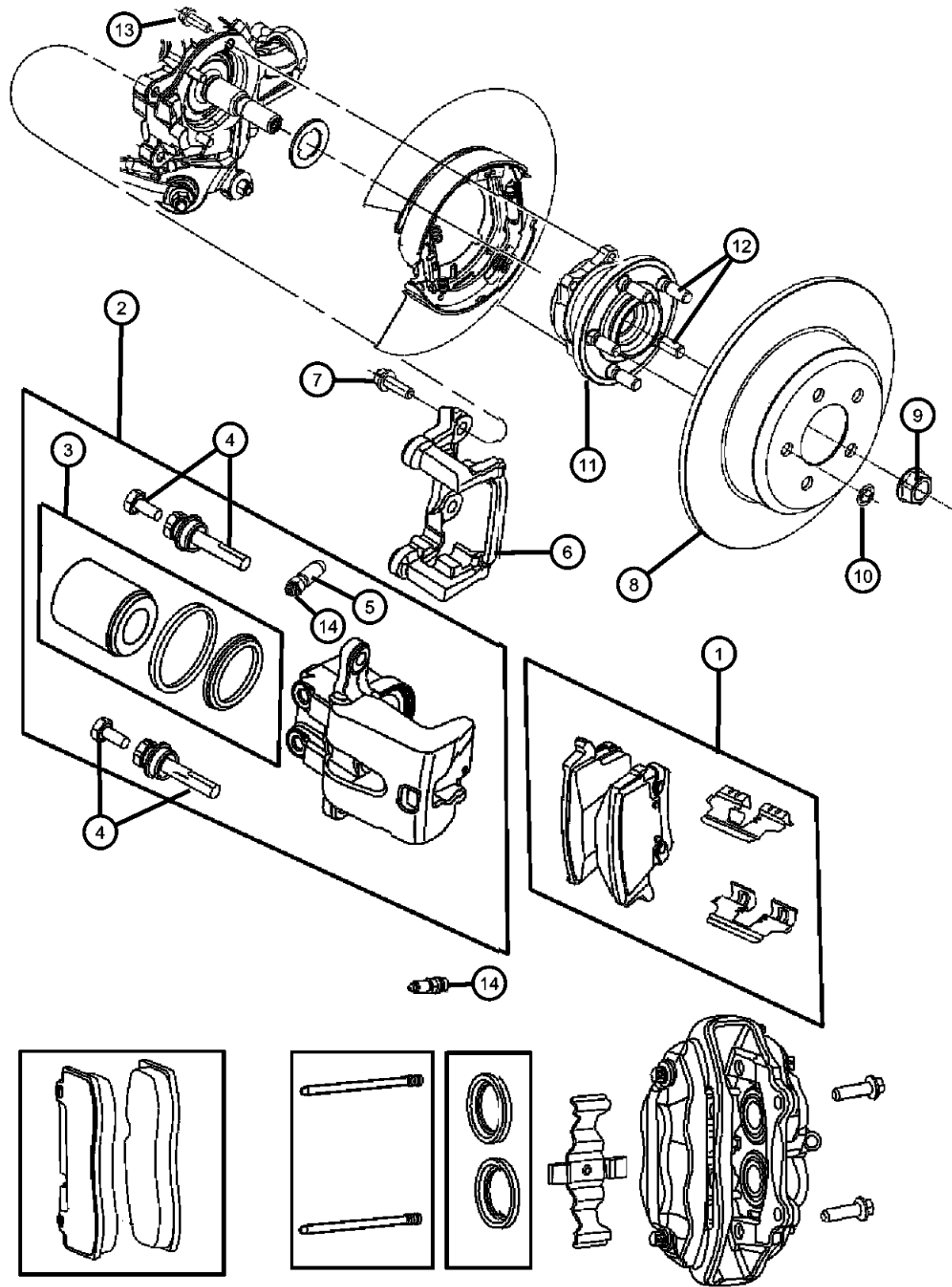
ENGINE
ERB = 3.XL Mid V6 Engine
EZH = 5.7L V8 HEMI MDS
VCT Engine

TRANSMISSION
DGJ = 5-Speed Auto W5A580
Transmission

AR = use ase required - = Non illustrated part

2011 LX

**Brakes, Rear, Disc
Figure 5-205**



ITEM	PART NUMBER	QTY	LINE	SERIES	BODY	ENGINE	TRANS	TRIM	DESCRIPTION
1	05142560AB VCLX2560AA VRLX2560AA	1	C, F, Z		48				PAD KIT, Rear Disc Brake [BR3] Make It Ceramic Rear Brake Kit Make It New Brake Kits
	VCLX2560AA VRLX2560AA	1	C, F, Z		48				[BR5] Make It Ceramic Rear Brake Kit Make It New Brake Kits
2	05142562AB 05142564AB 05142565AB 05142563AB	1 1 1 1	C, F, Z C, F, Z C, F, Z C, F, Z		48 48 48 48				CALIPER ASSEMBLY, Disc Brake, Rear [BR3], Right [BR5], Right [BR5], Left [BR3], Left
3	05137665AB	1	C, F, Z		48				PISTON KIT, DISC BRAKE [BR3]
		1	C, F, Z		48				[BR5]
4	05137686AB	1	C, F, Z		48				PIN KIT, Disc Brake [BR5]
		1	C, F, Z		48				[BR3]
5	05137612AB	1	C, F, Z		48				BLEEDER SCREW, Brake [BR3]
		1	C, F, Z		48				[BR5]
6	05137690AB 05137687AB	1 1	C, F, Z C, F, Z		48 48				ADAPTER, Disc Brake Caliper [BR5], Right or Left [BR3], Right or Left
7	06505832AA	2 2 2	C F C, Z		48 48 48				BOLT, Hex Flange Head, M12X1.75X45.00 [BR3] [BR5]
8	04779208AD 04779209AE	2 2	C, F, Z C, F, Z		48 48				ROTOR, Brake, Rear [BR3] [BR5]
9	06506263AA	1	C, F, Z		48				NUT, Hex Flange Lock
10		1							NUT, Spring, (NOT SERVICED)
11	04779572AB	1	C, F, Z		48				HUB AND BEARING, Brake
12	06507915AA	5	C, F, Z		48				STUD, Hub

MAGNUM/300/CHARGER (LX)

SERIES LINE
H = HIGHLINE C = CHRYSLER
P = PREMIUM F = EAGLE
S = SPORT

BODY
48 = SEDAN TYPE #8

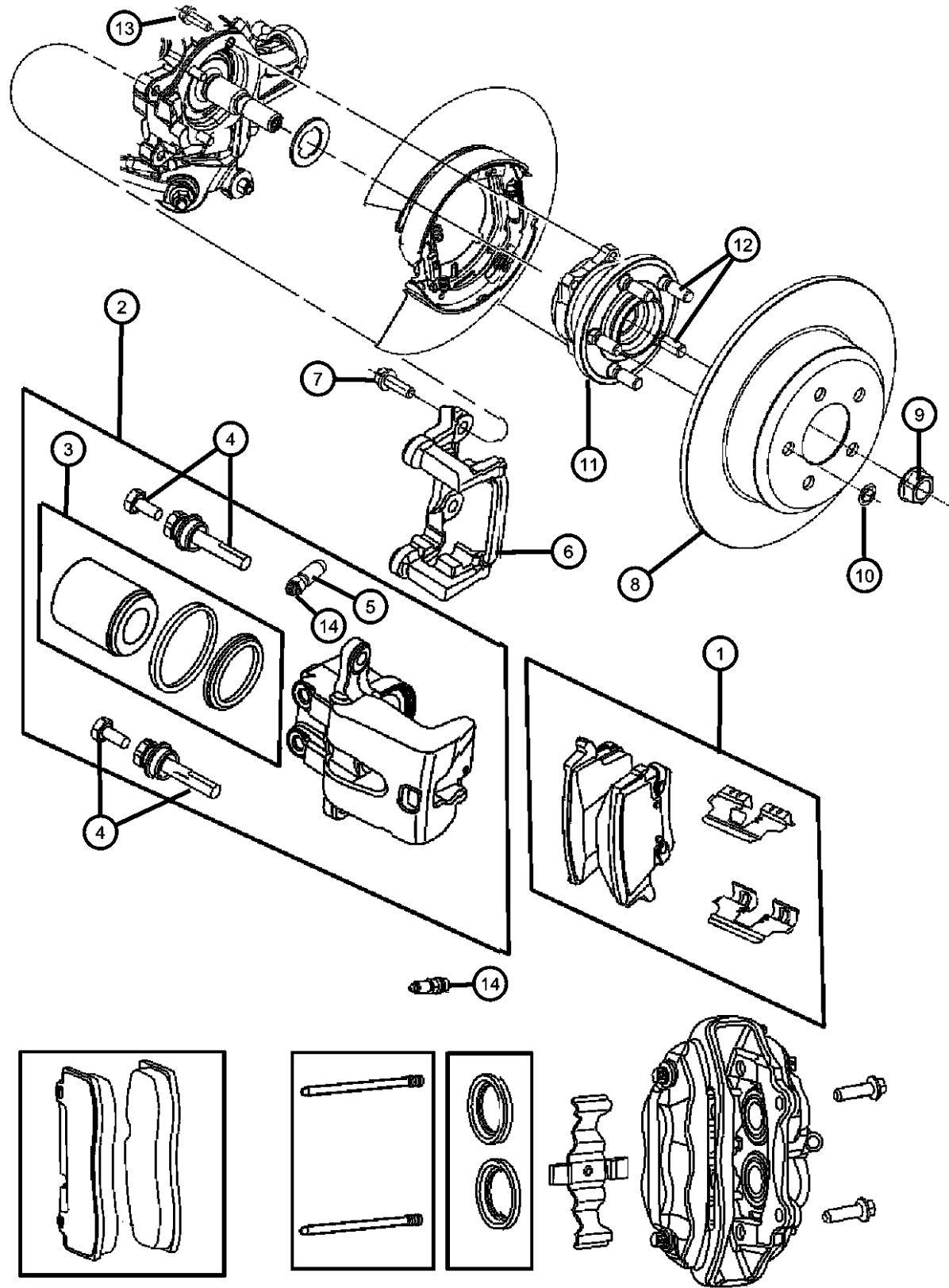
ENGINE
ERB = 3.XL Mid V6 Engine
EZH = 5.7L V8 HEMI MDS
VCT Engine

TRANSMISSION
DGJ = 5-Speed Auto W5A580
Transmission

AR = use ase required - = Non illustrated part

2011 LX

Brakes, Rear, Disc
Figure 5-205



ITEM	PART NUMBER	QTY	LINE	SERIES	BODY	ENGINE	TRANS	TRIM	DESCRIPTION
13	06507234AA	4	C, F, Z		48				SCREW, 6 Lobed
14	05175059AB	1	C, F, Z		48				CAP, Bleeder [BR3]
		1	C, F, Z		48				[BR5]

MAGNUM/300/CHARGER (LX)

SERIES LINE
H = HIGHLINE C = CHRYSLER
P = PREMIUM F = EAGLE
S = SPORT

BODY
48 = SEDAN TYPE #8

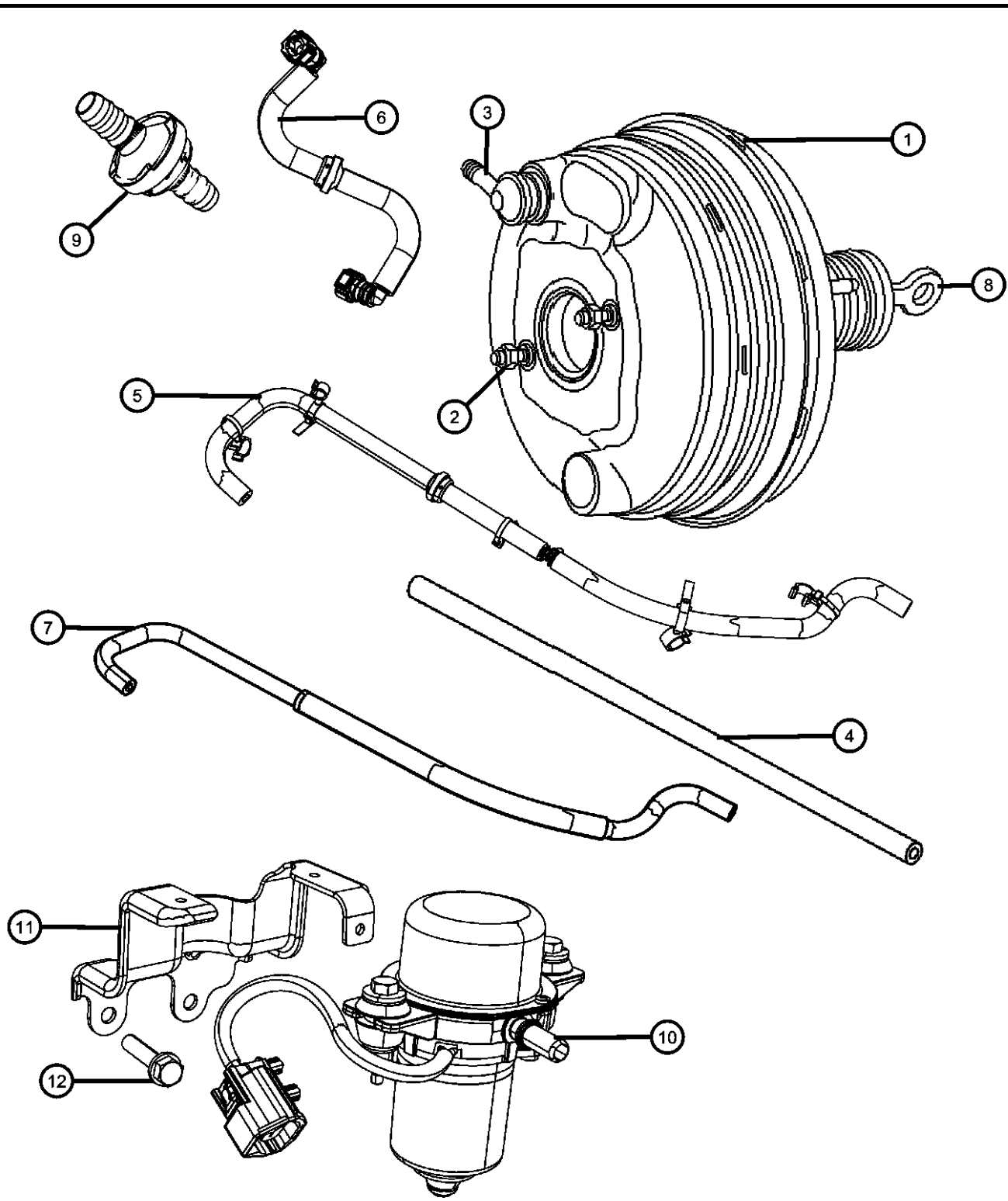
ENGINE
ERB = 3.XL Mid V6 Engine
EZH = 5.7L V8 HEMI MDS
VCT Engine

TRANSMISSION
DGJ = 5-Speed Auto W5A580
Transmission

AR = use ase required - = Non illustrated part

2011 LX

Booster and Pump, Vacuum Power Brake
Figure 5-305



ITEM	PART NUMBER	QTY	LINE	SERIES	BODY	ENGINE	TRANS	TRIM	DESCRIPTION
1	68089130AA	1	C, F, Z		48				BOOSTER, Power Brake
2	05183872AA	2	C, F, Z		48				NUT, Hex Lock
3	68053596AA	1	C, F, Z		48				VALVE, Brake Booster Check
4	04779605AA	1	C, F		48				HOSE, Brake Booster Vacuum
5	04581553AA	1	C, F		48				HOSE, Brake Booster Vacuum
6	04581554AA	1	C, F		48				HOSE, Brake Booster Vacuum
7	04584539AC	1	C, F		48				HOSE, Brake Booster Vacuum
8		1							ROD, Brake Booster, Serviced in Booster, (NOT SERVICED)
9	04581482AA	2	C, F		48				VALVE, Check
10	05154322AA	1	C, F, Z		48				PUMP, AirVacuum Pump
11	04581484AB	1	C, F, Z		48				BRACKET, Air PumpVacuum Pump Mounting
12	06102172AA	4	C, F, Z		48				SCREW AND WASHER, Hex Head, M10x1.5x50, Vacuum Pump Bracket Mounting.

MAGNUM/300/CHARGER (LX)

SERIES LINE
H = HIGHLINE C = CHRYSLER
P = PREMIUM F = EAGLE
S = SPORT

BODY
48 = SEDAN TYPE #8

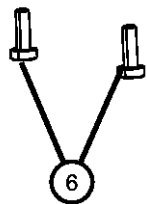
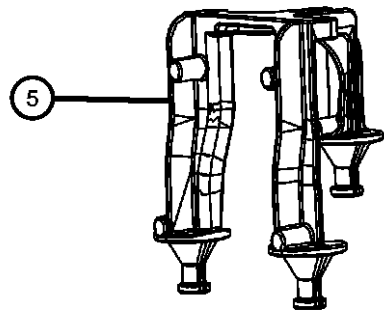
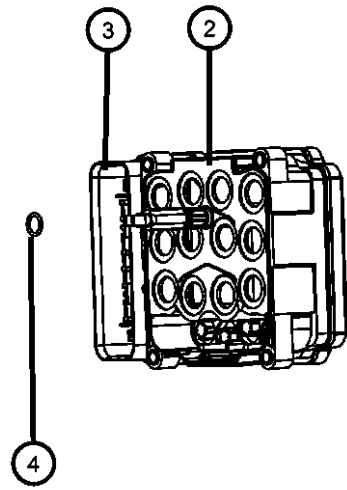
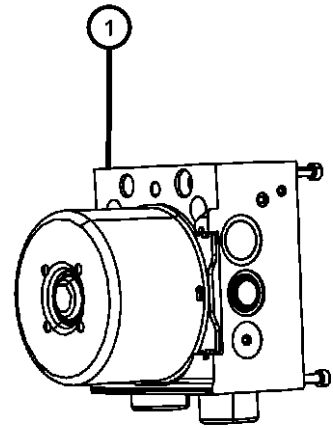
ENGINE
ERB = 3.XL Mid V6 Engine
EZH = 5.7L V8 HEMI MDS
VCT Engine

TRANSMISSION
DGJ = 5-Speed Auto W5A580
Transmission

AR = use ase required - = Non illustrated part

**ABS Hydraulic Unit and Module
Figure 5-505**

ITEM	PART NUMBER	QTY	LINE	SERIES	BODY	ENGINE	TRANS	TRIM	DESCRIPTION
1	68089525AA	1	C, F, Z		48				HYDRAULIC CONTROL UNIT, Anti-Lock Brake System
		1	C, F, Z		48				[BNB], [DKB] Without [NHP]
2	68087355AA	1	C, F, Z		48				CONTROL UNIT, Anti-Lock Brake
3	68137007AA	1	C, F, Z		48				MODULE, Anti-Lock Brake System
	68089527AA	1	C, F, Z		48				[BNB], [DKB] Without [NHP]
4	68020717AA	12	C, F, Z		48				SEAL, ECU Coil Seal
5	05175604AA	1	C, F, Z		48				BRACKET, Anti-Lock Brake Module
6	05189423AA	3	C, F, Z		48				SCREW, Torx Head



MAGNUM/300/CHARGER (LX)

SERIES LINE
H = HIGHLINE C = CHRYSLER
P = PREMIUM F = EAGLE
S = SPORT

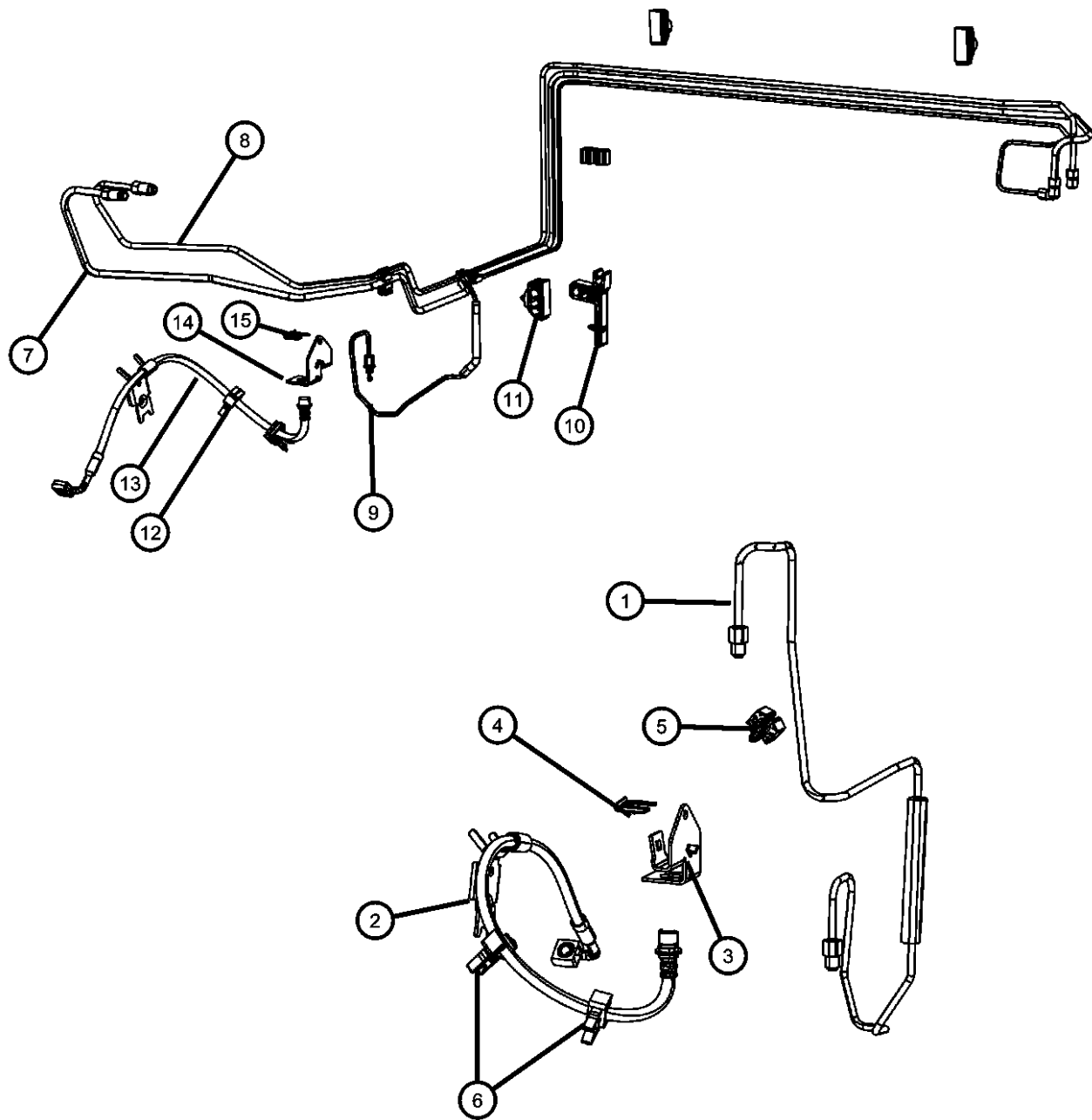
BODY
48 = SEDAN TYPE #8

ENGINE
ERB = 3.XL Mid V6 Engine
EZH = 5.7L V8 HEMI MDS
VCT Engine

TRANSMISSION
DGJ = 5-Speed Auto W5A580
Transmission

AR = use ase required - = Non illustrated part

Front Brake Lines and Hoses
Figure 5-510



ITEM	PART NUMBER	QTY	LINE	SERIES	BODY	ENGINE	TRANS	TRIM	DESCRIPTION
1	68071597AA	1	C		48				TUBE, BrakeRight
2	68071598AA	1	C		48				HOSE, Brake, FrontRight
3	05140865AA	1	C		48				BRACKET, Brake Hose
4	02208893	1	C		48				LOCK, Brake Hose
5	68071582AA	3	C		48				CLIP, Brake Tube
6	68071583AA	2	C		48				CLIP, Brake Tube
7	68071578AA	1	C		48				TUBE, Brake, Left Secondary
8	68071579AA	1	C		48				TUBE, Brake, Left Primary
9	68071580AA	1	C		48				TUBE, Brake, To Brake Hose, Left
10	68071581AA	1	C		48				CLIP, Brake Tube
11	68071582AA	3	C		48				CLIP, Brake Tube
12	68071583AA	2	C		48				CLIP, Brake Tube
13	68071590AA	1	C		48				HOSE, Brake, FrontLeft
14	05140866AA	1	C		48				BRACKET, Brake Hose
15	02208893	1	C		48				LOCK, Brake Hose

MAGNUM/300/CHARGER (LX)

SERIES LINE
H = HIGHLINE C = CHRYSLER
P = PREMIUM F = EAGLE
S = SPORT

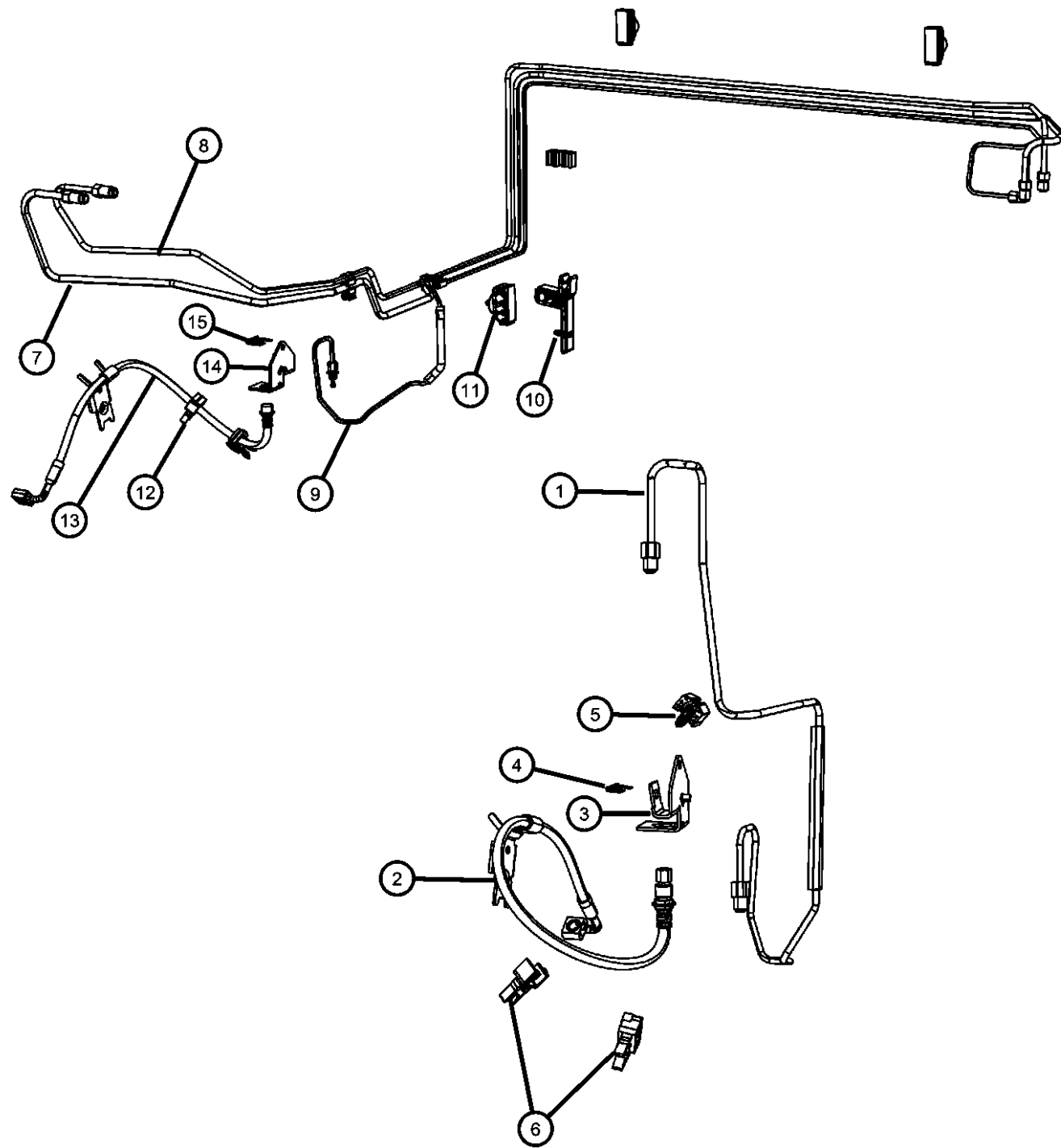
BODY
48 = SEDAN TYPE #8

ENGINE
ERB = 3.XL Mid V6 Engine
EZH = 5.7L V8 HEMI MDS
VCT Engine

TRANSMISSION
DGJ = 5-Speed Auto W5A580
Transmission

AR = use ase required - = Non illustrated part

Front Brake Lines and Hoses
Figure 5-515



ITEM	PART NUMBER	QTY	LINE	SERIES	BODY	ENGINE	TRANS	TRIM	DESCRIPTION
1	68071597AA	1	C, Z		48				TUBE, Brake, To Brake Hose, Right
2	68071599AA	1	C, Z		48				HOSE, Brake, FrontRight
3	05140865AA	1	C, Z		48				BRACKET, Brake Hose
4	02208893	1	C, Z		48				LOCK, Brake Hose
5	68071582AA	3	C		48				CLIP, Brake Tube
6	68071583AA	2	C, Z		48				CLIP, Brake Tube
7	68071578AA	1	C		48				TUBE, BrakeSecondary
8	68071579AA	1	C		48				TUBE, BrakePrimary
9	68071580AA	1	C		48				TUBE, Brake, To Brake Hose, Left
10	68071581AA	1	C		48				CLIP, Brake Tube
11	68071582AA	1	C		48				CLIP, Brake Tube
12	68071583AA	2	C		48				CLIP, Brake Tube
13	68071591AA	1	C		48				HOSE, Brake, FrontLeft
14	05140866AA	1	C		48				BRACKET, Brake Hose
15	02208893	1	C		48				LOCK, Brake Hose

MAGNUM/300/CHARGER (LX)

SERIES LINE
H = HIGHLINE C = CHRYSLER
P = PREMIUM F = EAGLE
S = SPORT

BODY
48 = SEDAN TYPE #8

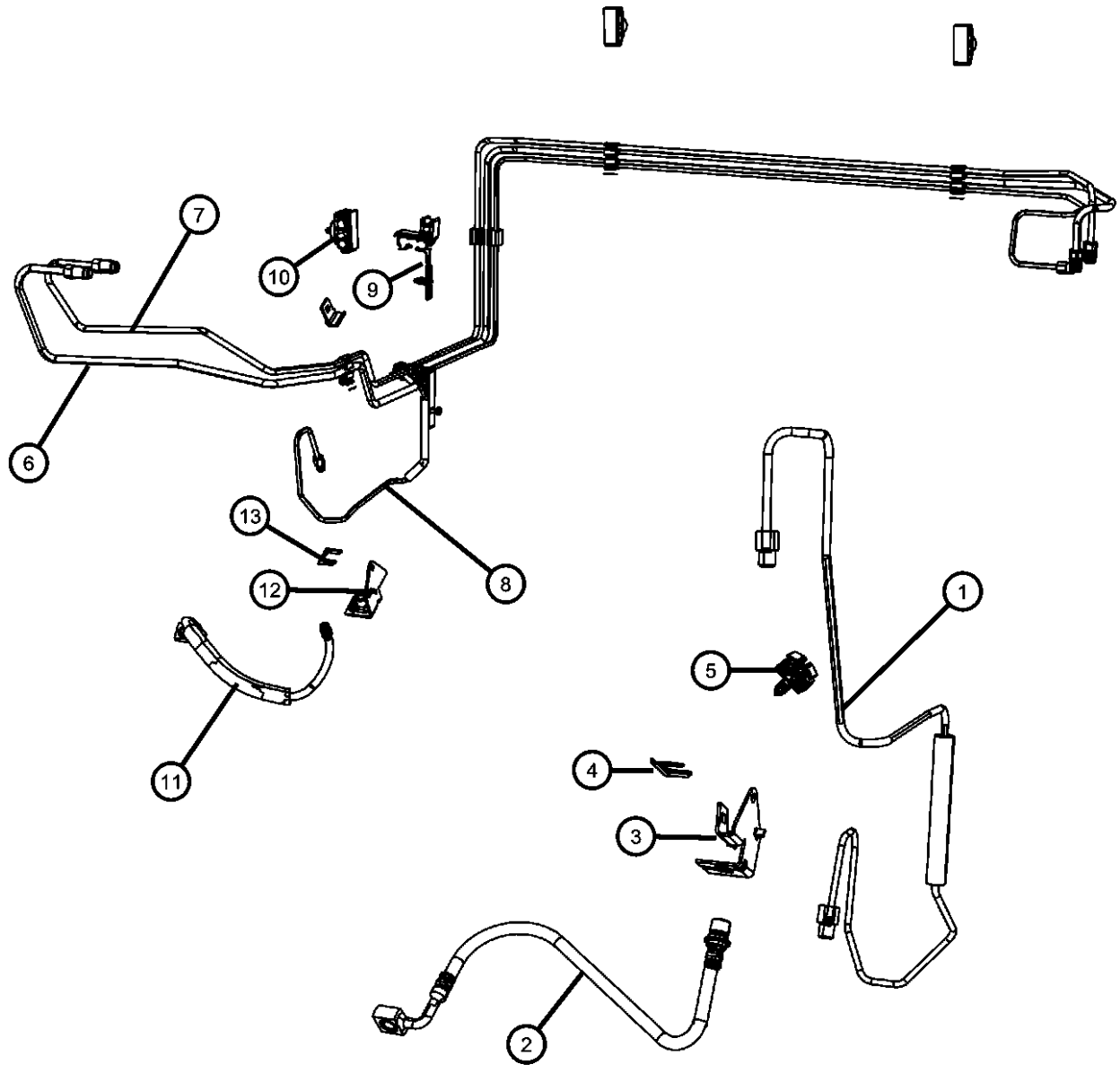
ENGINE
ERB = 3.XL Mid V6 Engine
EZH = 5.7L V8 HEMI MDS
VCT Engine

TRANSMISSION
DGJ = 5-Speed Auto W5A580
Transmission

AR = use ase required - = Non illustrated part

2011 LX

Front Brake Lines and Hoses
Figure 5-520



ITEM	PART NUMBER	QTY	LINE	SERIES	BODY	ENGINE	TRANS	TRIM	DESCRIPTION
1	68071603AA	1	F		48				TUBE, Brake, To Brake Hose, Right
2	68071593AA	1	F		48				HOSE, Brake, FrontRight
3	05166010AA	1	F		48				BRACKET, Brake Hose
4	02208893	1	F		48				LOCK, Brake Hose
5	68071581AA	1	F		48				CLIP, Brake Tube
6	68071578AA	1	F		48				TUBE, BrakeSecondary
7	68071579AA	1	F		48				TUBE, BrakePrimary
8	68071592AA	1	F		48				TUBE, Brake, To Brake Hose, Left
9	68071581AA	1	F		48				CLIP, Brake Tube
10	68071582AA	3	F		48				CLIP, Brake Tube
11	68071593AA	1	F		48				HOSE, Brake, FrontLeft
12	05166008AA	1	F		48				BRACKET, Brake Hose
13	02208893	1	F		48				LOCK, Brake Hose

MAGNUM/300/CHARGER (LX)

SERIES LINE
H = HIGHLINE C = CHRYSLER
P = PREMIUM F = EAGLE
S = SPORT

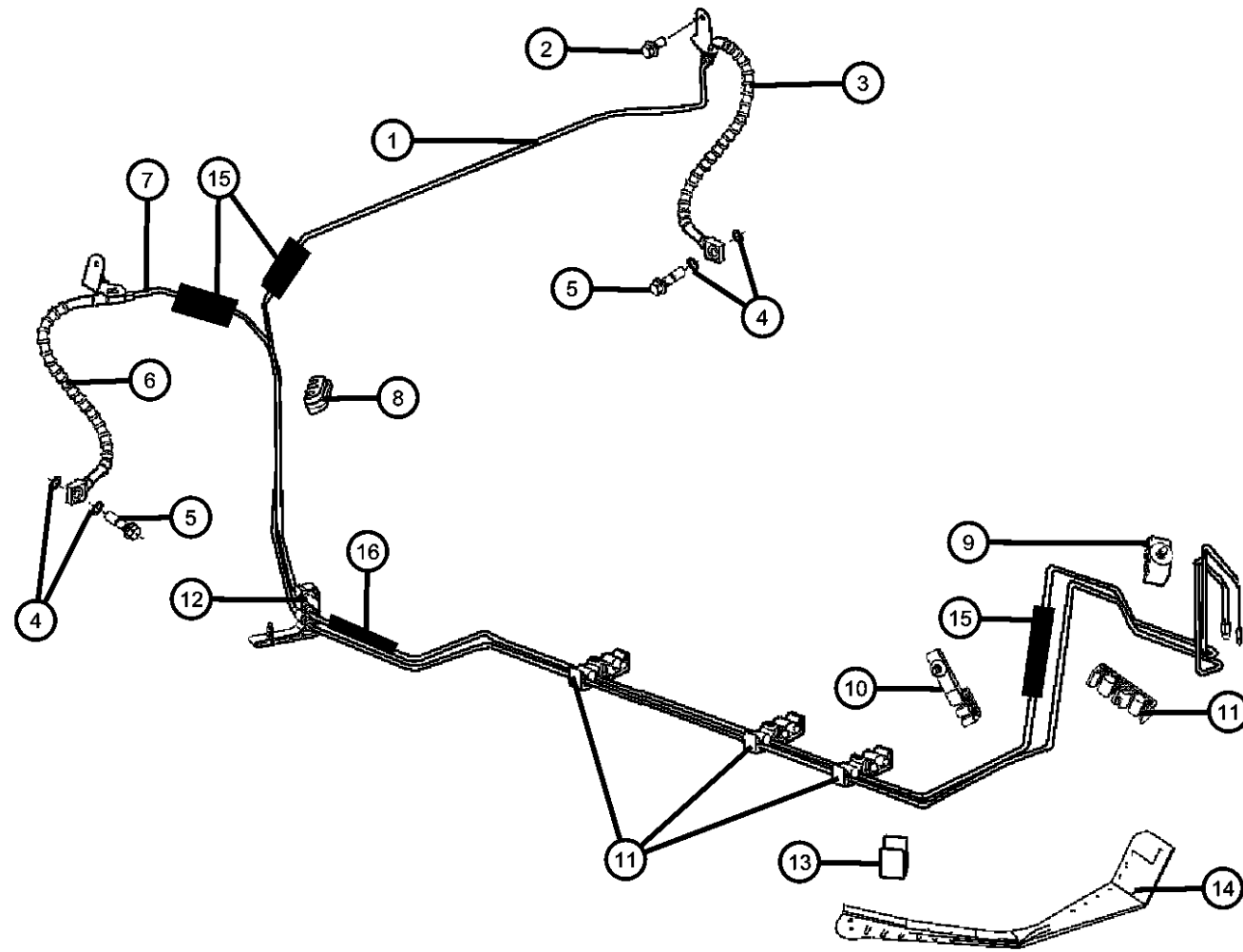
BODY
48 = SEDAN TYPE #8

ENGINE
ERB = 3.XL Mid V6 Engine
EZH = 5.7L V8 HEMI MDS
VCT Engine

TRANSMISSION
DGJ = 5-Speed Auto W5A580
Transmission

AR = use ase required - = Non illustrated part

Brake Tubes,Rear
Figure 5-525



ITEM	PART NUMBER	QTY	LINE	SERIES	BODY	ENGINE	TRANS	TRIM	DESCRIPTION
1	68103985AA	1	C, F, Z		48				TUBE, Brake, Left Rear
2	06105037AA	2	C, F, Z		48				SCREW, Hex Flange Head, M6x1.00x20.00
3									HOSE, Brake, Rear
	04779235AG	1	C, Z		48				[BR3] Or [BR5], Left
	04854455AE	1	C, Z		48, 49				[BR4], Left
	04779355AF	1	F		48				Left
4	06502114	4	C, F, Z		48				GASKET, Brake Hose To Caliper
5	06508379AA	2	C, F, Z		48				BOLT, Banjo
6									HOSE, Brake, Rear
	04779354AF	1	F		48				Right
	04779234AG	1	C, Z		48				[BR3] Or [BR5], Right
	04854454AE	1	C, F, Z		48, 49				[BR4], Right
7	68103984AA	1	C, F, Z		48				TUBE, Brake, Right Rear
8	05137750AA	1	C, F, Z		48				CLIP, Fuel Bundle
9	05175876AA	1	C, F, Z		48				CLIP, Fuel Tube
10	05137751AA	1	C, F, Z		48				CLIP, Fuel Bundle
11	05137752AA	4	C, F, Z		48				CLIP, Fuel Bundle
12	05137753AA	1	C, F, Z		48				CLIP, Fuel Bundle
13	05137750AA	1	C, F, Z		48				CLIP, Fuel Bundle
14	05137754AA	1	C, F, Z		48				SHIELD, Fuel and Brake Bundle
15	68103989AA	1	C, F, Z		48				SLEEVE, Rubber
16	68103990AA	1	C, F, Z		48				SLEEVE, Rubber
-17	68001857AA	1	C, F, Z		48				TIE STRAP

MAGNUM/300/CHARGER (LX)

SERIES LINE
H = HIGHLINE C = CHRYSLER
P = PREMIUM F = EAGLE
S = SPORT

BODY
48 = SEDAN TYPE #8

ENGINE
ERB = 3.XL Mid V6 Engine
EZH = 5.7L V8 HEMI MDS
VCT Engine

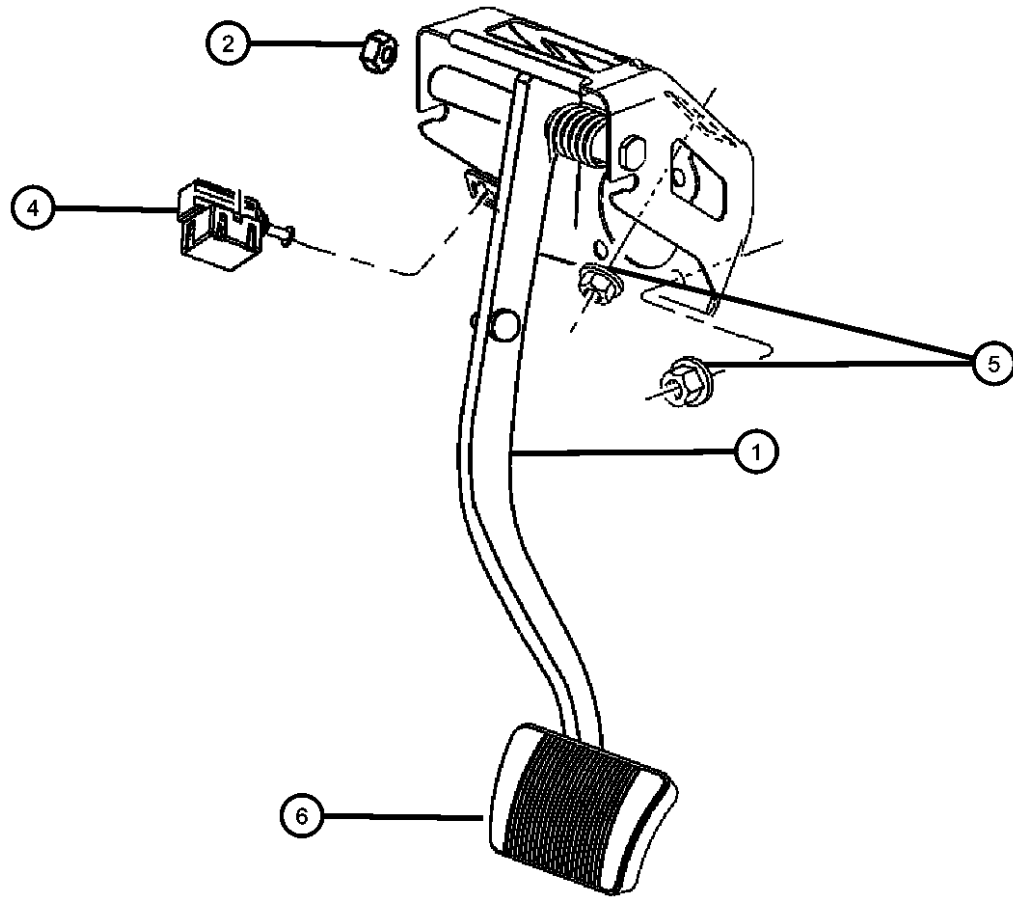
TRANSMISSION
DGJ = 5-Speed Auto W5A580
Transmission

AR = use ase required - = Non illustrated part

2011 LX

Pedal, Brake, Auto Trans
Figure 5-605

ITEM	PART NUMBER	QTY	LINE	SERIES	BODY	ENGINE	TRANS	TRIM	DESCRIPTION
1	04779688AE	1	C, F		48				PEDAL ASSEMBLY, Non Adjustable
2	06506152AA	6	C, F, Z		48				NUT AND WASHER, Hex Nut-Coned Washer, M8 x 1.25
-3	04294036	1	C, F, Z		48				CLIP, Master Cylinder Push Rod Pin
4	56038969AA	1	C, F, Z		48				SENSOR, Brake Pedal, Includes Brake Switch
5	06506152AA	6	C, F, Z		48				NUT AND WASHER, Hex Nut-Coned Washer, M8 x 1.25
6	68031956AA	1	C, F		48				PAD, Pedal



MAGNUM/300/CHARGER (LX)

SERIES LINE
H = HIGHLINE C = CHRYSLER
P = PREMIUM F = EAGLE
S = SPORT

BODY
48 = SEDAN TYPE #8

ENGINE
ERB = 3.XL Mid V6 Engine
EZH = 5.7L V8 HEMI MDS VCT Engine

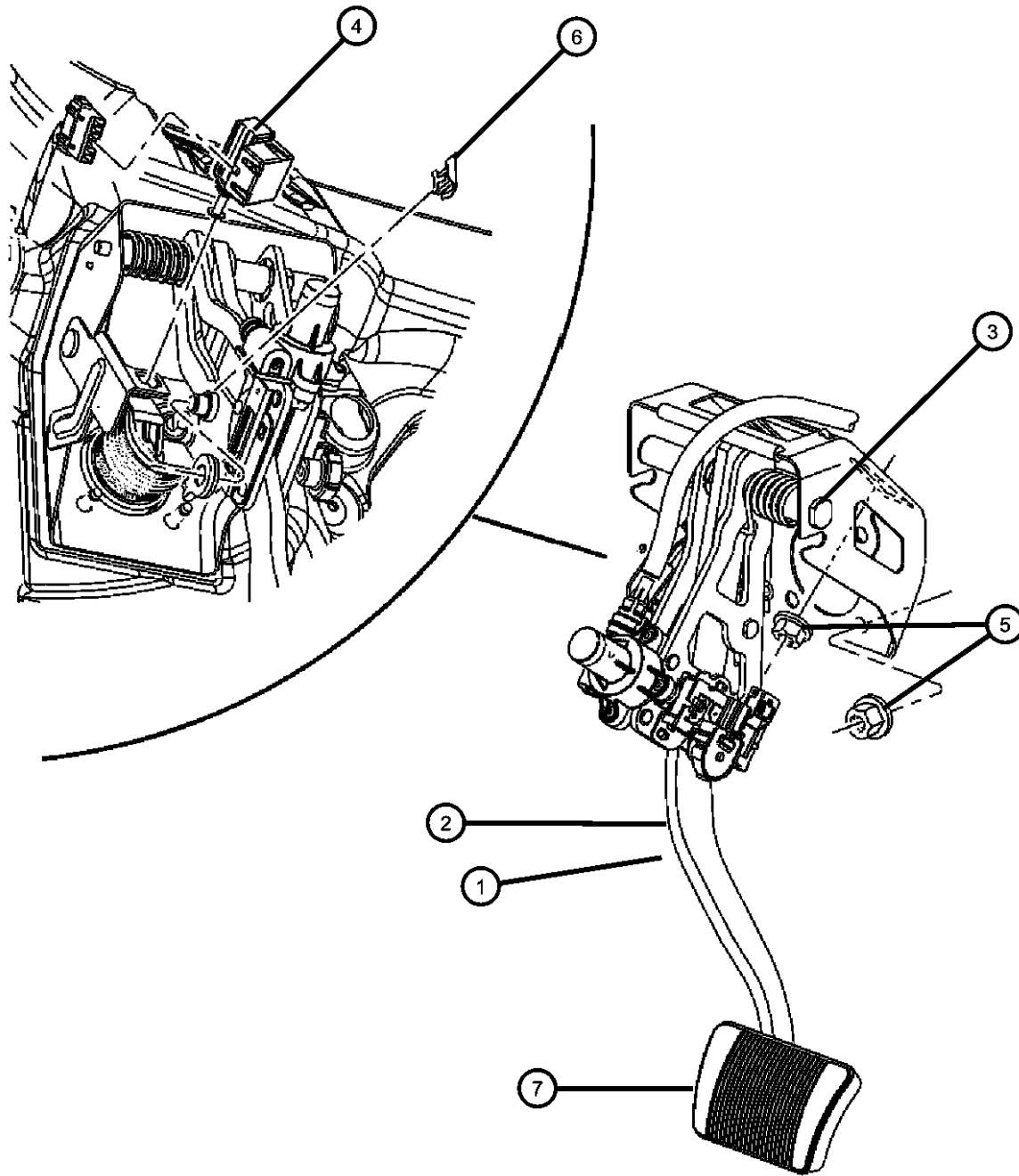
TRANSMISSION
DGJ = 5-Speed Auto W5A580 Transmission

AR = use ase required - = Non illustrated part

2011 LX

Pedal, Brake, Power Adjust and Memory
Figure 5-615

ITEM	PART NUMBER	QTY	LINE	SERIES	BODY	ENGINE	TRANS	TRIM	DESCRIPTION
1	04779687AF	1	C, F		48				PEDAL ASSEMBLY, Adjustable, [XAM]
2	04779559AE	1	C, F		48, 49				PEDAL AND PAD, Brake, [XAP]
3	06506152AA	6	C, F, Z		48				NUT AND WASHER, Hex Nut-Coned Washer, M8 x 1.25
4	05189366AB	1	C, F		48				SWITCH, Parking Brake
5	06506152AA	6	C, F, Z		48				NUT AND WASHER, Hex Nut-Coned Washer, M8 x 1.25
6	04294036	1	C, F, Z		48				CLIP, Master Cylinder Push Rod Pin
7	68031956AA	1	C, F		48				PAD, Pedal



MAGNUM/300/CHARGER (LX)

SERIES LINE
H = HIGHLINE C = CHRYSLER
P = PREMIUM F = EAGLE
S = SPORT

BODY
48 = SEDAN TYPE #8

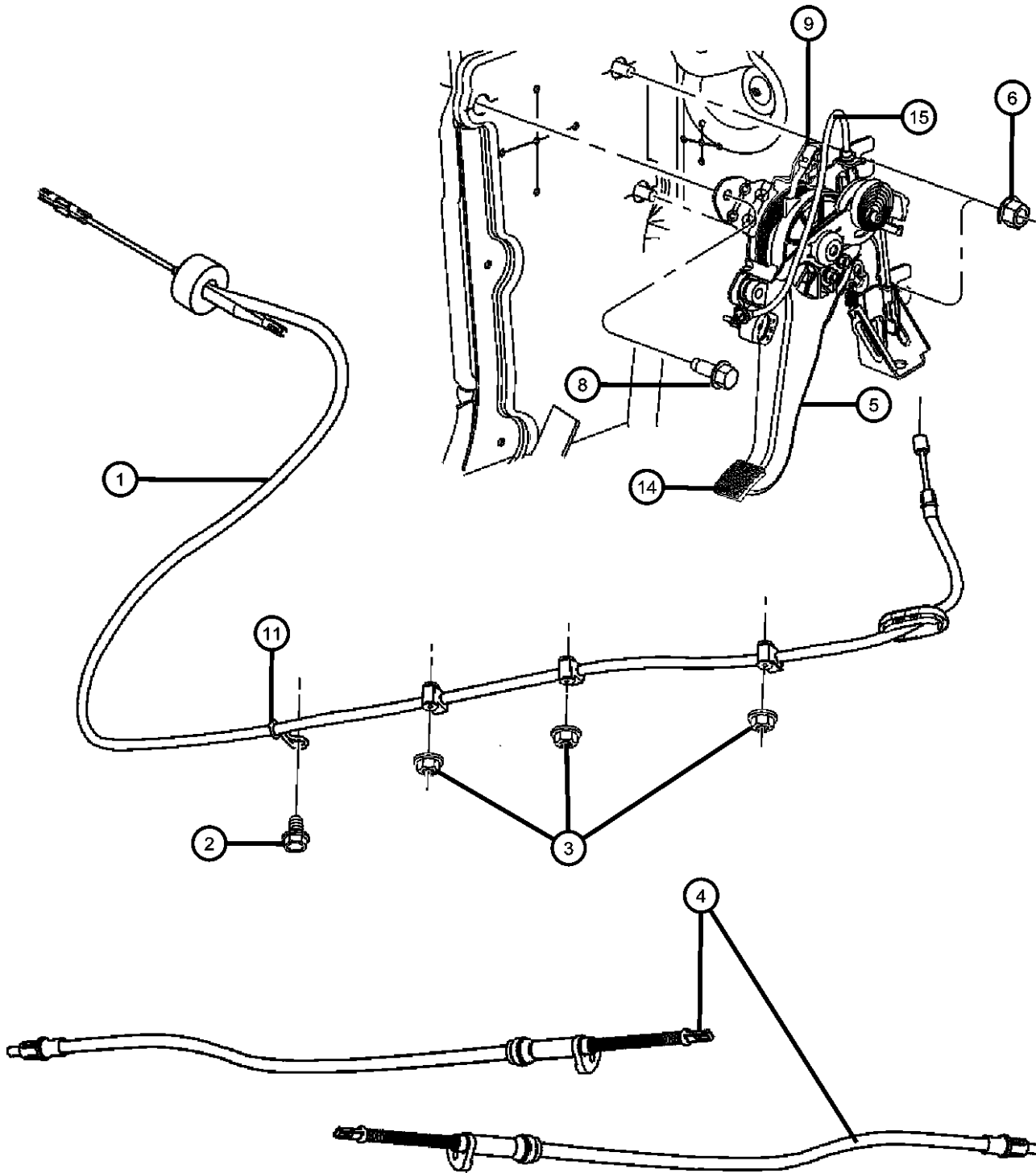
ENGINE
ERB = 3.XL Mid V6 Engine
EZH = 5.7L V8 HEMI MDS
VCT Engine

TRANSMISSION
DGJ = 5-Speed Auto W5A580
Transmission

AR = use ase required - = Non illustrated part

2011 LX

Park Brake Lever and Cables
Figure 5-705



ITEM	PART NUMBER	QTY	LINE	SERIES	BODY	ENGINE	TRANS	TRIM	DESCRIPTION
1	04779589AE	1	C, F		48				CABLE, Parking Brake
2	06104182AA	1	C, F, Z		48				SCREW, Hex Flange Head, M6X1.0X25.00
3	06505953AA	1	C, F, Z		48				NUT AND WASHER, M6x1
4									CABLE, Parking Brake
	68066189AC	1	C, Z		48				Left
	04779592AC	1	C, Z		48				Right
	68066095AB	1	F		48				Left
	04779322AE	1	F		48				Right
5	04779478AG	1	C, F		48				LEVER, Parking Brake
6	06101445	2	C, F		48				NUT AND WASHER, Hex, M8x1.25
-7		2							HANDLE, Parking Brake, Serviced in Steering Column Cover [Group 050], (NOT SERVICED)
8	06505559AA	1	C, F		48				SCREW AND WASHER, Hex Head, M8x1.25x40
9	05189366AB	1	C, F		48				SWITCH, Parking Brake
-10	06104181AA	2	C, F, Z		48				BOLT, Hex Flange Head, M6X1.00X20.00
11	04779586AB	1	C, F, Z		48				BRACKET, Parking Brake
-12	06503194	2	C, F, Z		48				NUT, U, M6X1.00X23.50
-13	06104143AA	2	C, F, Z		48				SCREW, M6X1.0X20.0
14	68044148AA	1	C, F		48				PAD, Parking Brake Pedal
15	68048099AA	1	C, F		48				CABLE, Parking Brake Release

MAGNUM/300/CHARGER (LX)

SERIES LINE
H = HIGHLINE C = CHRYSLER
P = PREMIUM F = EAGLE
S = SPORT

BODY
48 = SEDAN TYPE #8

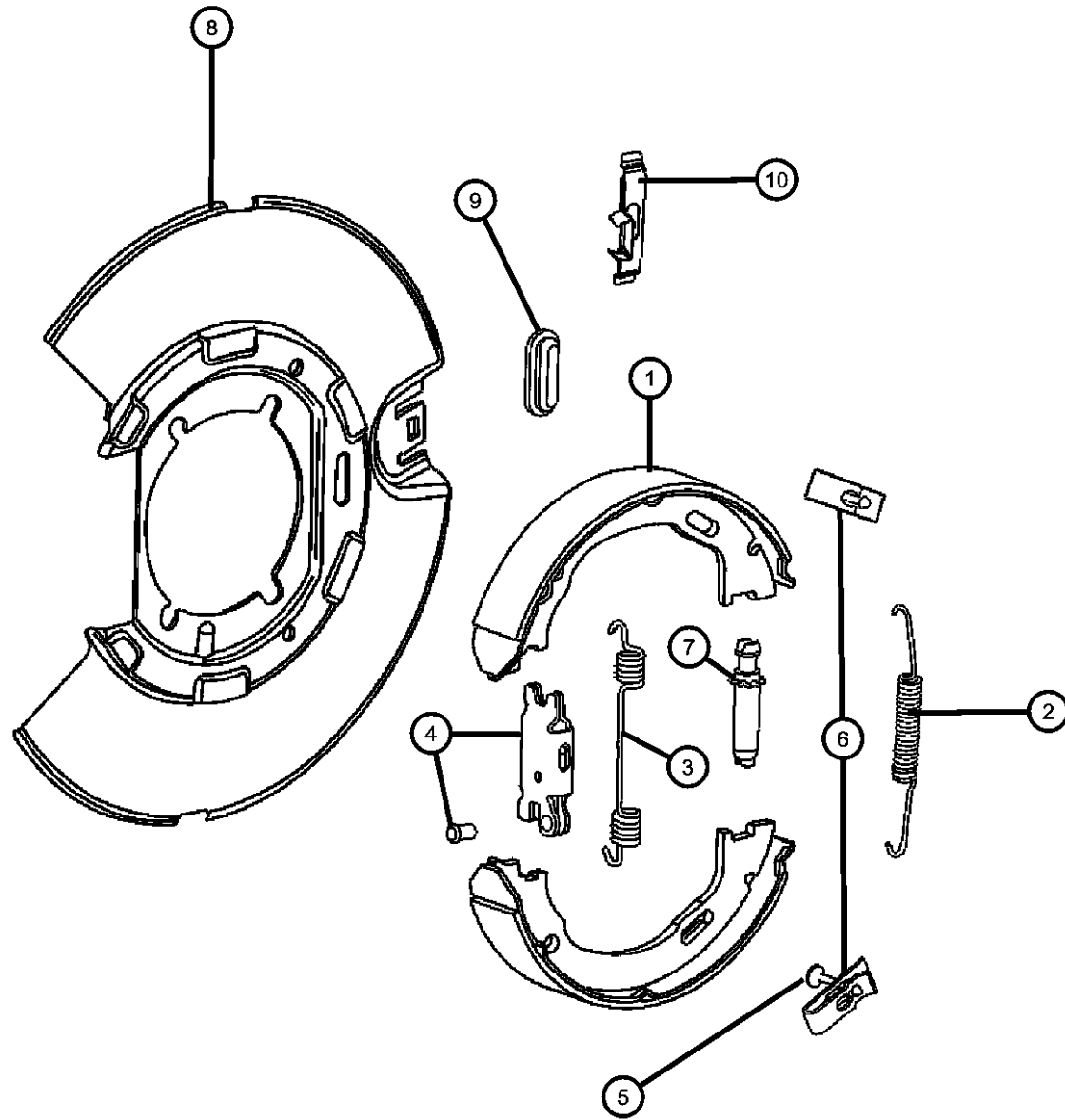
ENGINE
ERB = 3.XL Mid V6 Engine
EZH = 5.7L V8 HEMI MDS
VCT Engine

TRANSMISSION
DGJ = 5-Speed Auto W5A580
Transmission

AR = use ase required - = Non illustrated part

2011 LX

**Park Brake Assembly,Rear Disc
Figure 5-725**



ITEM	PART NUMBER	QTY	LINE	SERIES	BODY	ENGINE	TRANS	TRIM	DESCRIPTION
1	68020626AA	1	C, F, Z		48				SHOE AND LINING KIT, Drum
2	04762116	1	C, F, Z		48				SPRING, Lower Shoe Return
3	05137622AA	1	C, F, Z		48				SPRING, Brake Shoe Return
4	05103208AA	1	C, F, Z		48				LEVER, Parking Brake Adjusting
5	05179890AA	2	C, F, Z		48				PIN, Brake Shoe Hold Down
6	05179889AA	2	C, F, Z		48				CLIP, Brake Shoe Hold Down
7	68020627AA	1	C, F, Z		48				ADJUSTER, Parking Brake
8									ADAPTER ASSEMBLY, Parking Brake
	05137620AA	1	C, F, Z		48				Right
	05137619AA	1	C, F, Z		48				Left
9	04762121	1	C, F, Z		48				PLUG, Brake Adjusting Hole
10	04779275AB	2	C, F, Z		48				SHIM

MAGNUM/300/CHARGER (LX)

SERIES LINE
H = HIGHLINE C = CHRYSLER
P = PREMIUM F = EAGLE
S = SPORT

BODY
48 = SEDAN TYPE #8

ENGINE
ERB = 3.XL Mid V6 Engine
EZH = 5.7L V8 HEMI MDS
VCT Engine

TRANSMISSION
DGJ = 5-Speed Auto W5A580
Transmission

AR = use ase required - = Non illustrated part

2011 LX

Group - 7

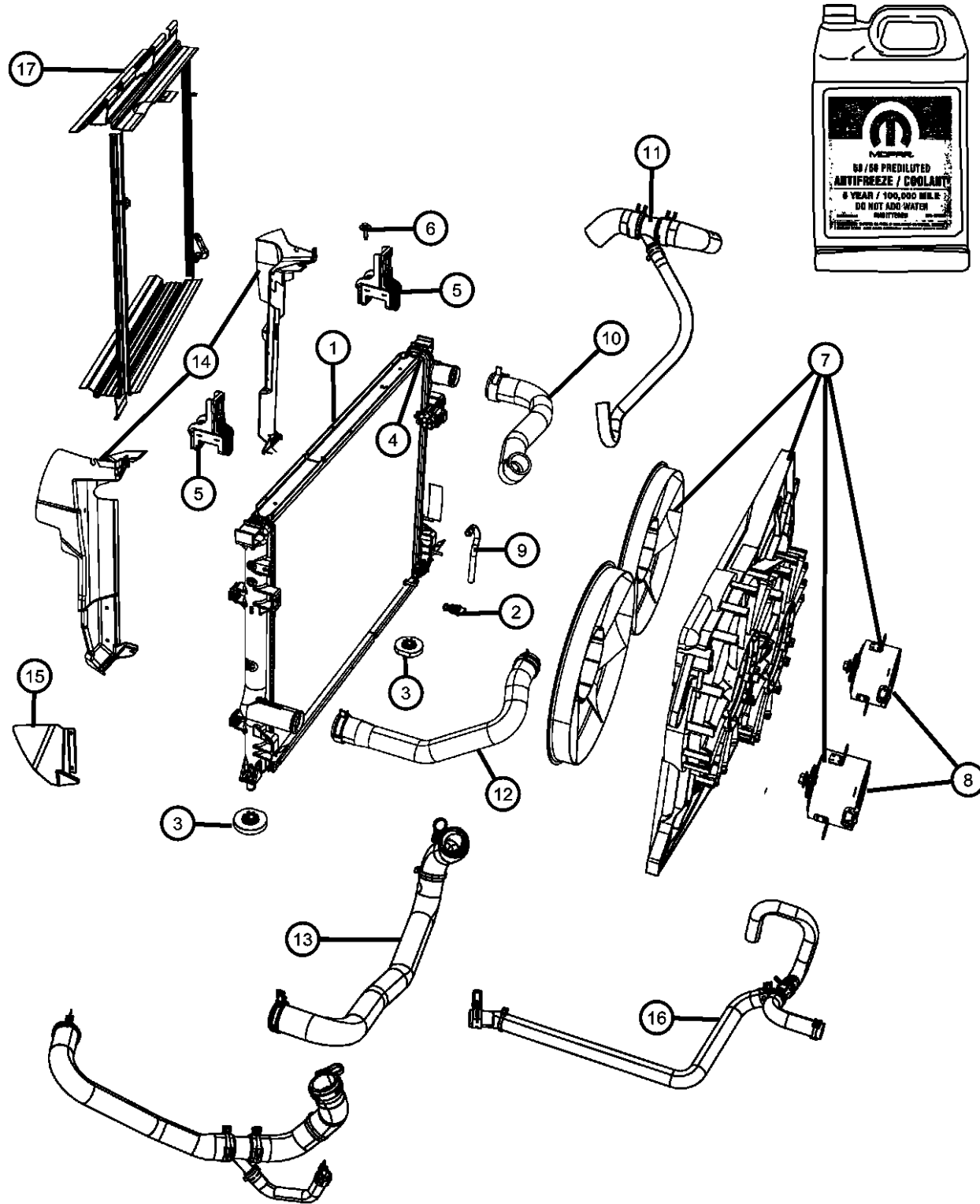
Cooling

Group - 7 Cooling

Illustration Title	Group-Fig. No.
Radiator and Related Parts; Charge Air Cooler	
Radiator and Related Parts.....	Fig. 7 - 105
Radiator Support.....	Fig. 7 - 110
Water Pump and Related Parts	
Water Pump and Related Parts.....	Fig. 7 - 205
Water Pump and Related Parts.....	Fig. 7 - 210
Thermostat and Related Parts.....	Fig. 7 - 215
Thermostat and Related Parts.....	Fig. 7 - 220
Engine Coolant Reservoir (Bottle)	
Coolant Recovery Bottle.....	Fig. 7 - 305
Pulleys and Related Parts	
Pulleys and Related Parts.....	Fig. 7 - 405
Pulleys and Related Parts.....	Fig. 7 - 410
Drive Belts	
Belts, Serpentine and V-Belts.....	Fig. 7 - 505
Transmission Oil Cooler, and Lines	
Transmission Oil Cooler and Lines.....	Fig. 7 - 605

007-100 Radiator and Related Parts; Charge Air Cooler	007-200 Water Pump and Related Parts	007-300 Engine Coolant Reservoir (Bottle)	007-400 Pulleys and Related Parts
007-500 Drive Belts	007-600 Transmission Oil Cooler, and Lines		

Radiator and Related Parts
Figure 7-105



ITEM	PART NUMBER	QTY	LINE	SERIES	BODY	ENGINE	TRANS	TRIM	DESCRIPTION
1	68050126AB	1	C, F, Z		48				RADIATOR, Engine Cooling
	68050291AA	1	C, F, Z		48				[NMX]
2	04644269	1	C, F, Z		48				DRAINCOCK, Radiator
3	68017994AA	2	C, F, Z		48				ISOLATOR, Radiator, Lower
4	04596198	1	C, F, Z		48				CAP, Radiator
5	04596474AD	2	C, F, Z		48				ISOLATOR, Radiator, Upper
6	06104368AA	2	C, F, Z		48				BOLT AND WASHER, Hex Head, M6X1.00X25.00
7	68050129AA	1	C, F, Z		48				FAN, Cooling
8	05170746AA	1	C, F, Z		48				MOTOR, Radiator Fan [NMX], Right
	05137714AA	1	C, F, Z		48				[NMX], Left
9	05137723AA	1	C, F, Z		48				HOSE, Drain
10	55038160AB	1	C, F, Z		48	ERB			HOSE, Radiator Inlet
11	55111285AB	1	C, F, Z		48	EZH			HOSE, Radiator Inlet
12	55038161AB	1	C, F, Z		48	ERB			HOSE, Radiator Outlet
13	04598096AE	1	C, F, Z		48	EZH			HOSE, Radiator Outlet
	55038183AB	1	F		48	EZH			Without [NHA]
14	57010357AA	1	C, F, Z		48	ERB, EZH			SHIELD, Radiator Left
	57010366AA	1	C, F, Z		48	ERB, EZH			Right
15	68026556AA	2	C, F, Z		48				SEAL, Radiator Side Air
16	55038133AB	1	C, F		48	EZH			HOSE, Heater Return
17	05170747AA	2	C, F, Z		48				SEAL, Radiator, Upper Or Lower [NMX]
	68050130AA	2	C, F, Z		48				

MAGNUM/300/CHARGER (LX)

SERIES LINE
H = HIGHLINE C = CHRYSLER
P = PREMIUM F = EAGLE
S = SPORT

BODY
48 = SEDAN TYPE #8

ENGINE
ERB = 3.0L Mid V6 Engine
EZH = 5.7L V8 HEMI MDS VCT Engine

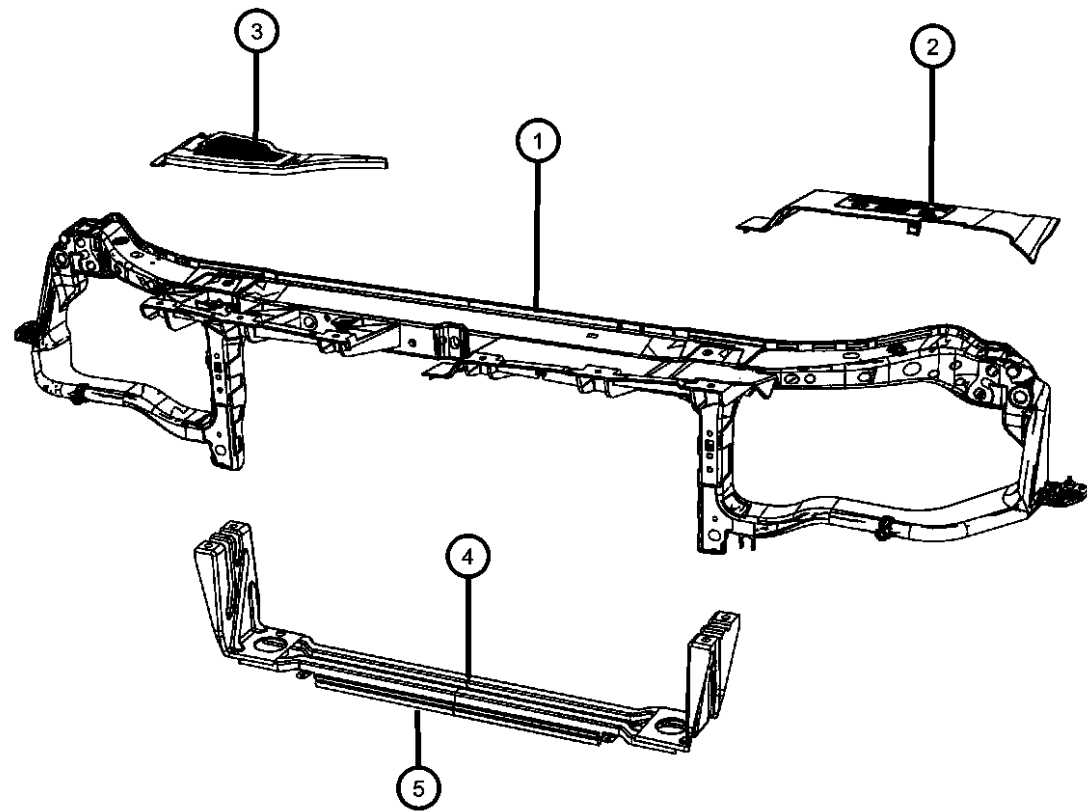
TRANSMISSION
DGJ = 5-Speed Auto W5A580 Transmission

AR = use ase required - = Non illustrated part

2011 LX

**Radiator Support
Figure 7-110**

ITEM	PART NUMBER	QTY	LINE	SERIES	BODY	ENGINE	TRANS	TRIM	DESCRIPTION
1	57010299AB	1	C, F, Z		48				CROSSMEMBER, Front Support
2		1							PANEL, Under Hood Appearance, Part of Front Fascia, (NOT SERVICED)
3		1							PANEL, Under Hood Appearance, Part of Front Fascia, (NOT SERVICED)
4	05065240AE	1	C, F, Z		48				CROSSMEMBER, Radiator
5	05112199AB	1	C, F, Z		48				WEATHERSTRIP, Lower Radiator Crossmember



MAGNUM/300/CHARGER (LX)

SERIES LINE
H = HIGHLINE C = CHRYSLER
P = PREMIUM F = EAGLE
S = SPORT

BODY
48 = SEDAN TYPE #8

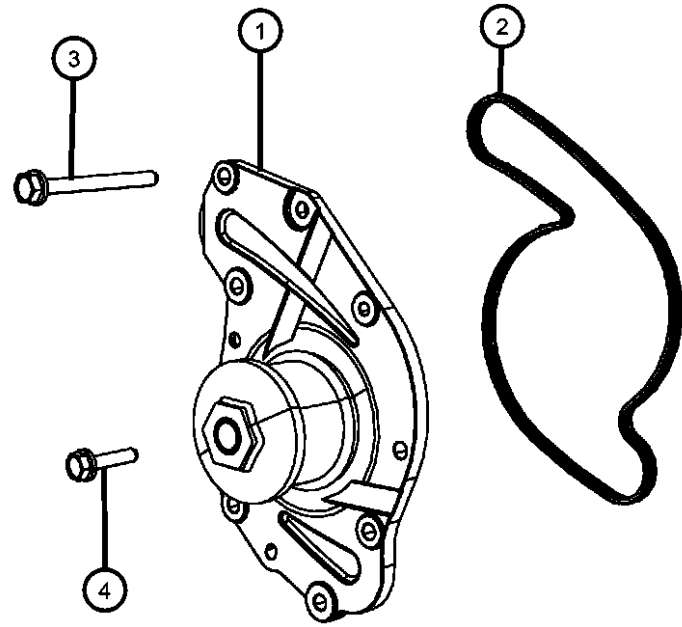
ENGINE
ERB = 3.XL Mid V6 Engine
EZH = 5.7L V8 HEMI MDS
VCT Engine

TRANSMISSION
DGJ = 5-Speed Auto W5A580
Transmission

AR = use ase required - = Non illustrated part

**Water Pump and Related Parts
Figure 7-205**

ITEM	PART NUMBER	QTY	LINE	SERIES	BODY	ENGINE	TRANS	TRIM	DESCRIPTION
1	05184498AI	1	C, F, Z		48	ERB			PUMP, Water
2	68087340AA	1	C, F, Z		48	ERB			GASKET, Water Pump
3	06102429AA	4	C, F, Z		48	ERB			BOLT AND CONED WASHER, Hex Head, M6X1.00X25.00
4	06509392AA	23	C, F, Z		48	ERB			BOLT, Hex Flange Head, M6X1.00X48.00



MAGNUM/300/CHARGER (LX)

SERIES LINE
H = HIGHLINE C = CHRYSLER
P = PREMIUM F = EAGLE
S = SPORT

BODY
48 = SEDAN TYPE #8

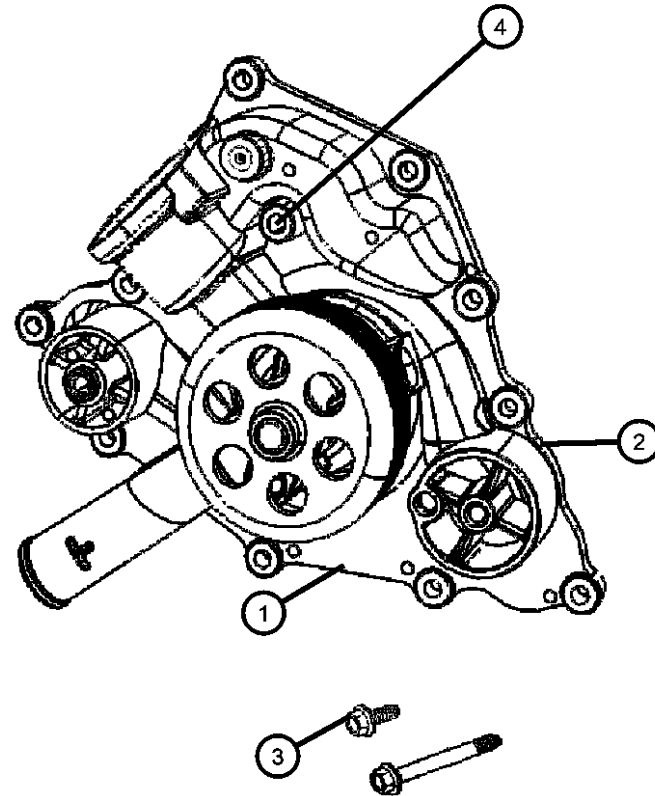
ENGINE
ERB = 3.XL Mid V6 Engine
EZH = 5.7L V8 HEMI MDS
VCT Engine

TRANSMISSION
DGJ = 5-Speed Auto W5A580
Transmission

AR = use ase required - = Non illustrated part

Water Pump and Related Parts
Figure 7-210

ITEM	PART NUMBER	QTY	LINE	SERIES	BODY	ENGINE	TRANS	TRIM	DESCRIPTION
1	53022340AC	1	C, F, Z		48	EZH			PUMP, Water
2	04792922AB	1	C, F, Z		48	EZH			GASKET, Water Pump
3	06506269AA	5	C, F, Z		48	EZH			BOLT AND CONED WASHER, Hex Head, M8X1.25X35.00
4	06506684AA	1	C, F, Z		48	EZH			STUD



MAGNUM/300/CHARGER (LX)

SERIES LINE
H = HIGHLINE C = CHRYSLER
P = PREMIUM F = EAGLE
S = SPORT

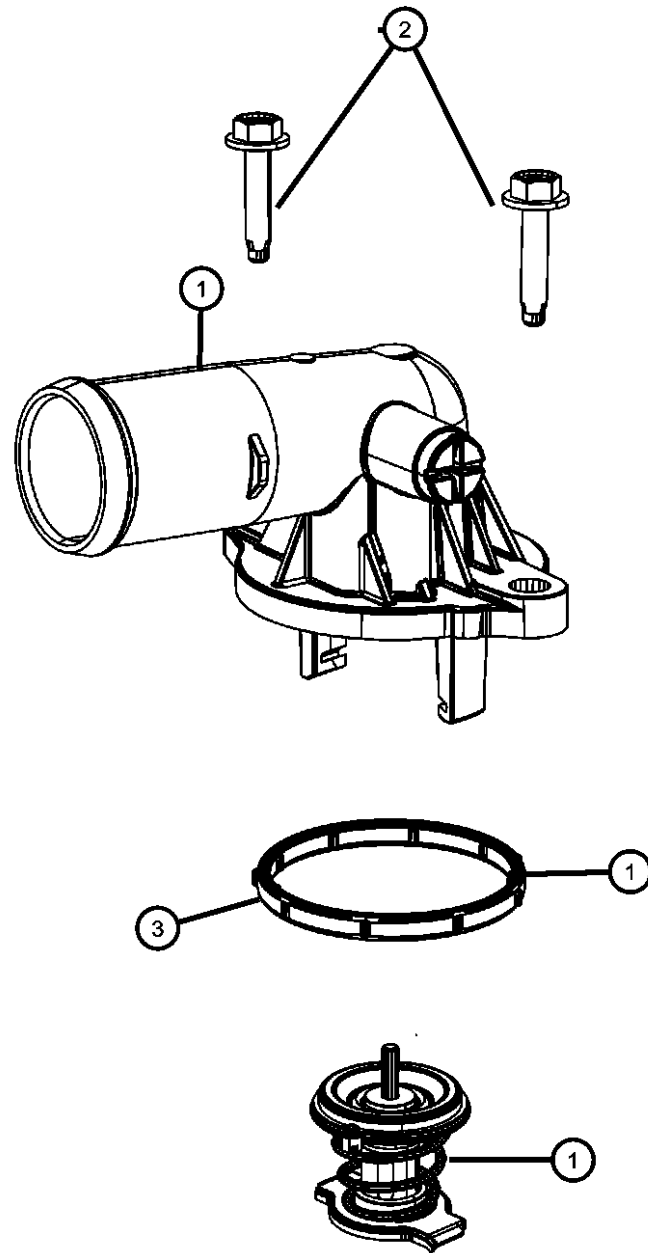
BODY
48 = SEDAN TYPE #8

ENGINE
ERB = 3.0L Mid V6 Engine
EZH = 5.7L V8 HEMI MDS
VCT Engine

TRANSMISSION
DGJ = 5-Speed Auto W5A580
Transmission

AR = use ase required - = Non illustrated part

**Thermostat and Related Parts
Figure 7-215**



ITEM	PART NUMBER	QTY	LINE	SERIES	BODY	ENGINE	TRANS	TRIM	DESCRIPTION
1	05184977AE	1	C, F, Z		48	ERB			HOUSING, Thermostat
2	06507610AA	2	C, F, Z		48	ERB			SCREW AND WASHER, Hex Head, M6X1.00X30.00
3	05184894AA	1	C, F, Z		48	ERB			SEAL, Thermostat

MAGNUM/300/CHARGER (LX)

SERIES LINE
H = HIGHLINE C = CHRYSLER
P = PREMIUM F = EAGLE
S = SPORT

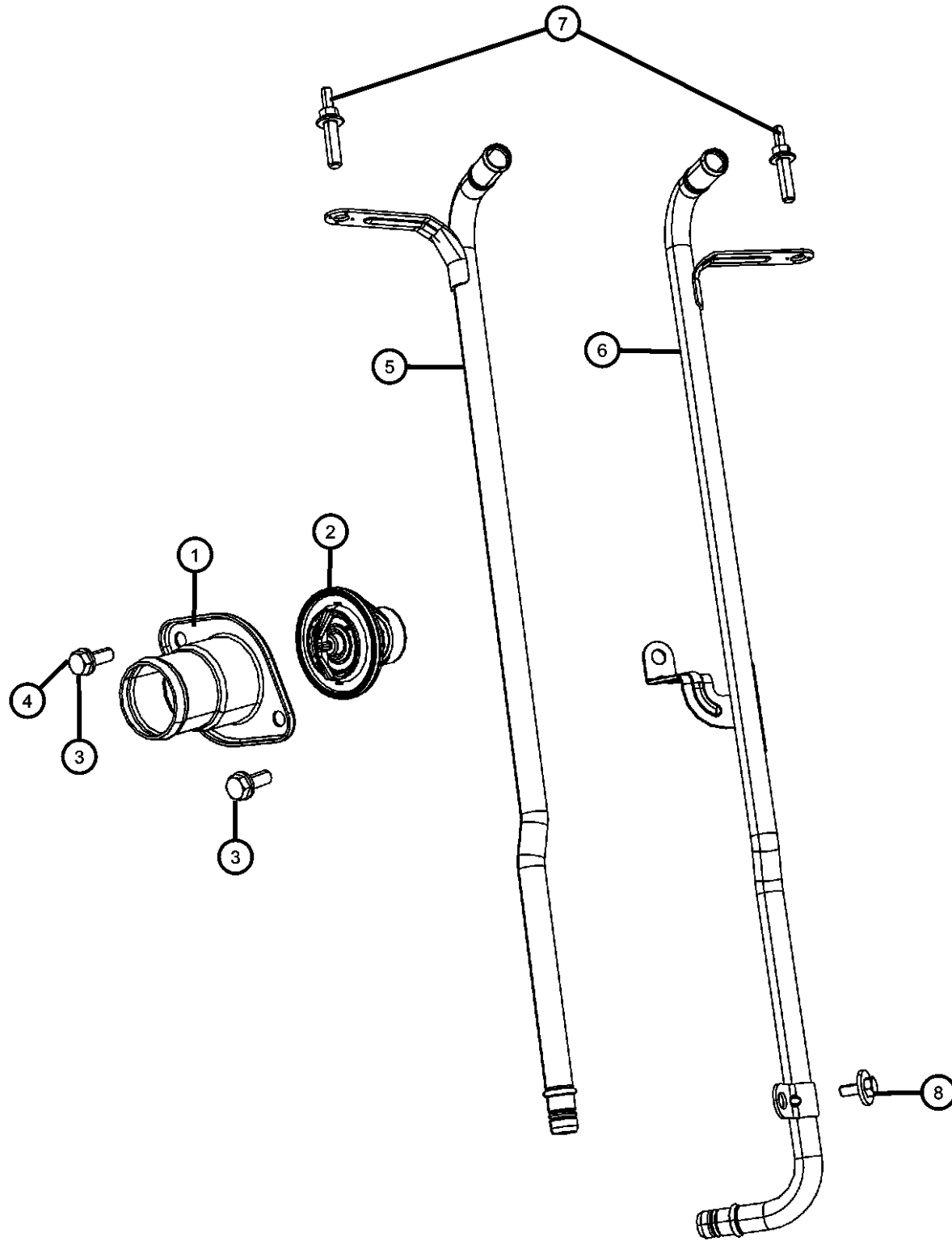
BODY
48 = SEDAN TYPE #8

ENGINE
ERB = 3.XL Mid V6 Engine
EZH = 5.7L V8 HEMI MDS
VCT Engine

TRANSMISSION
DGJ = 5-Speed Auto W5A580
Transmission

AR = use ase required - = Non illustrated part

**Thermostat and Related Parts
Figure 7-220**



ITEM	PART NUMBER	QTY	LINE	SERIES	BODY	ENGINE	TRANS	TRIM	DESCRIPTION
1	53021536AC	1	C, F, Z		48	EZH			HOUSING, Thermostat
2	52028898AE	1	C, F, Z		48	EZH			THERMOSTAT
3	06101982	2	C, F		48	EZH			SCREW AND WASHER, Hex Head, M8x1.25x30
4	06101982	2	C, F		48	EZH			SCREW AND WASHER, Hex Head, M8x1.25x30
5	05038501AA	1	C, F, Z		48	EZH			TUBE, Coolant outlet
6	05038503AA	1	C, F, Z		48	EZH			TUBE, Coolant inlet
7	06508200AA	2	C, F, Z		48	EZH			STUD, Double Ended, M6X1.00X18.00
8	06101651	1	C, F, Z		48	EZH			SCREW, Hex Head, M6x1x16

MAGNUM/300/CHARGER (LX)

SERIES LINE
H = HIGHLINE C = CHRYSLER
P = PREMIUM F = EAGLE
S = SPORT

BODY
48 = SEDAN TYPE #8

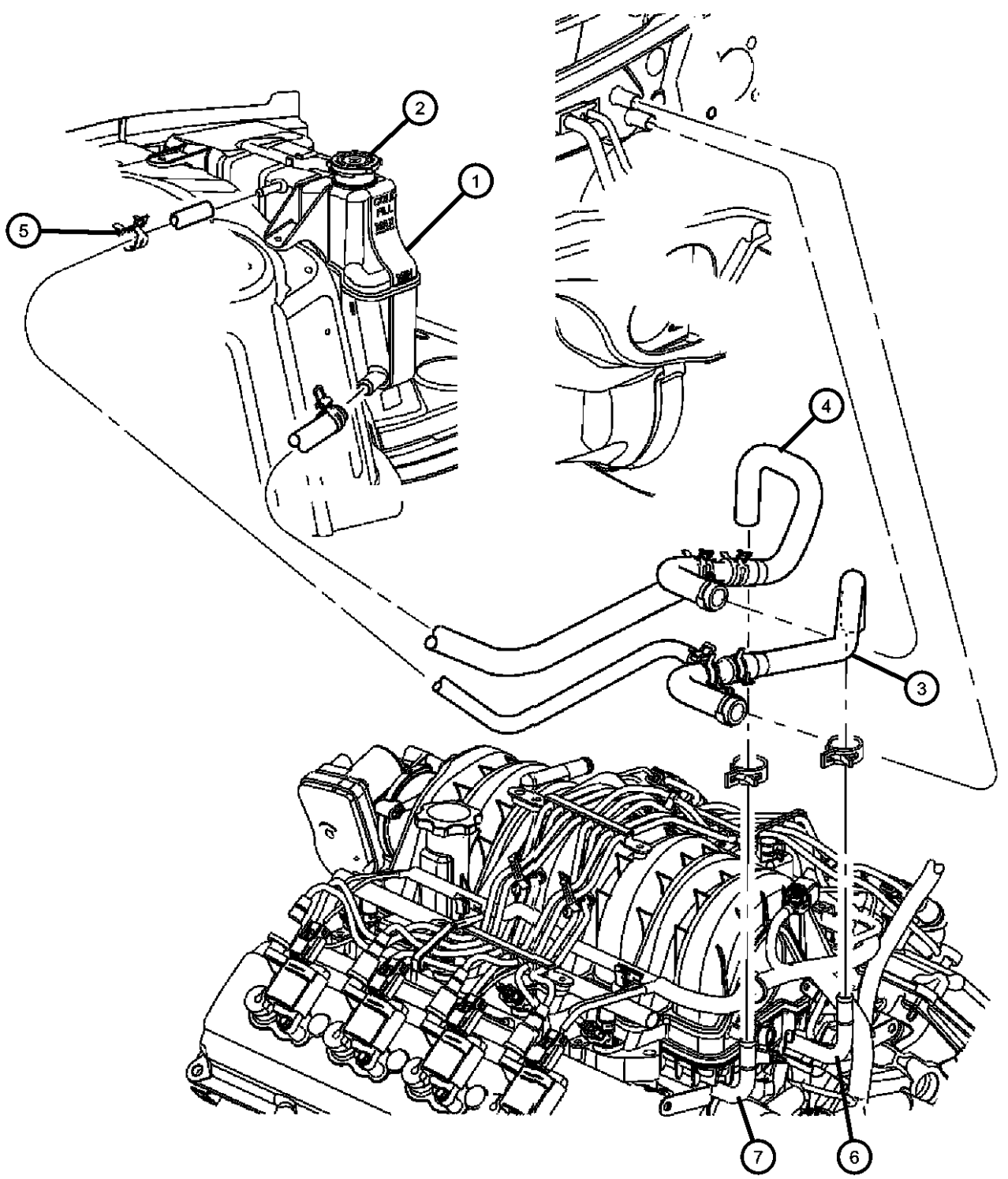
ENGINE
ERB = 3.XL Mid V6 Engine
EZH = 5.7L V8 HEMI MDS VCT Engine

TRANSMISSION
DGJ = 5-Speed Auto W5A580 Transmission

AR = use ase required - = Non illustrated part

2011 LX

**Coolant Recovery Bottle
Figure 7-305**



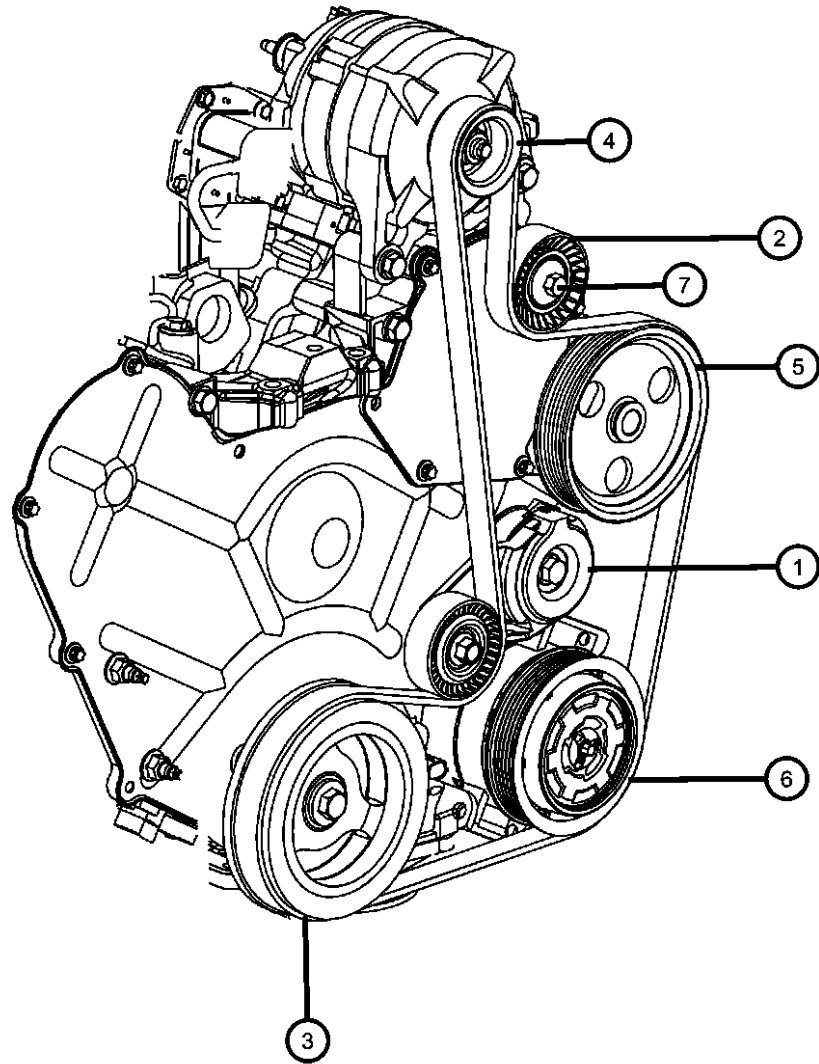
ITEM	PART NUMBER	QTY	LINE	SERIES	BODY	ENGINE	TRANS	TRIM	DESCRIPTION
1	55111260AB	1	C, F, Z		48				BOTTLE, Coolant Recovery
2	04596198	1	C, F, Z		48				CAP, Radiator
3									HOSE, Heater Supply
	55038134AB	1	C, F		48	EZH			
	55038163AD	1	C, F		48	ERB			
4	55038133AB	1	C, F		48	EZH			HOSE, Heater Return
5	06504217	1	C, F, Z		48				CLAMP, Hose, M18.5
6	05038501AA	1	C, F, Z		48	EZH			TUBE, Coolant outlet
7	05038503AA	1	C, F, Z		48	EZH			TUBE, Coolant inlet

MAGNUM/300/CHARGER (LX)

SERIES	LINE	BODY	ENGINE	TRANSMISSION
H = HIGHLINE P = PREMIUM S = SPORT	C = CHRYSLER F = EAGLE	48 = SEDAN TYPE #8	ERB = 3.XL Mid V6 Engine EZH = 5.7L V8 HEMI MDS VCT Engine	DGJ = 5-Speed Auto W5A580 Transmission

AR = use ase required - = Non illustrated part

**Pulleys and Related Parts
Figure 7-405**



ITEM	PART NUMBER	QTY	LINE	SERIES	BODY	ENGINE	TRANS	TRIM	DESCRIPTION
1	05184617AC	1	C, F, Z		48	ERB			TENSIONER, Belt
2	05184638AD	1	C, F, Z		48	ERB			PULLEY, Idler
3		1							PULLEY, Crankshaft, Serviced with Damper, (NOT SERVICED)
4		1							PULLEY, Alternator, Serviced with Alternator, (NOT SERVICED)
5		1							PULLEY, Power Steering Pump, Serviced with Pump, (NOT SERVICED)
6	68084274AA	1	C, F		48	ERB			PULLEY HUB KIT, A/C Compressor
7	06104227AA	1	C, F, Z		48	ERB			BOLT, Hex Flange Head, M10X1.50X100.00

MAGNUM/300/CHARGER (LX)

SERIES LINE
H = HIGHLINE C = CHRYSLER
P = PREMIUM F = EAGLE
S = SPORT

BODY
48 = SEDAN TYPE #8

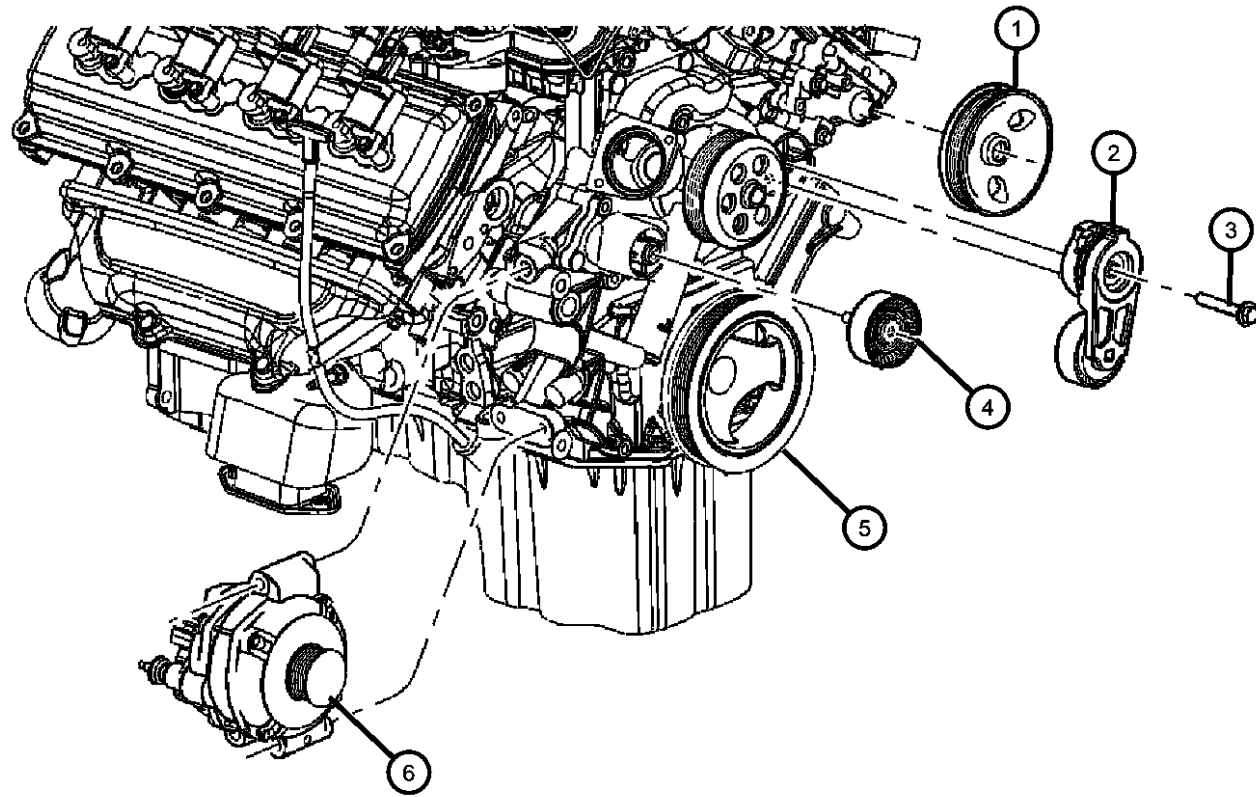
ENGINE
ERB = 3.XL Mid V6 Engine
EZH = 5.7L V8 HEMI MDS VCT Engine

TRANSMISSION
DGJ = 5-Speed Auto W5A580 Transmission

AR = use ase required - = Non illustrated part

2011 LX

Pulleys and Related Parts
Figure 7-410



ITEM	PART NUMBER	QTY	LINE	SERIES	BODY	ENGINE	TRANS	TRIM	DESCRIPTION
1		1							PULLEY, Power Steering Pump, (NOT SERVICED)
2	04861660AA	1	C, F, Z		48	EZH			TENSIONER, Belt
3	06104221AA	1	C, F, Z		48	EZH			BOLT, Hex Flange Head, M10X1.50X55.00
4									PULLEY, Idler
	04593985AA	1	C, F		48	EZH			70mm Nylon
	04891720AA	1	C, F, Z		48	EZH			
5		1							PULLEY, Crankshaft, Serviced with Damper group 09, (NOT SERVICED),
6		1							PULLEY, Alternator, Serviced with Alternator group 08, (NOT SERVICED)

MAGNUM/300/CHARGER (LX)

SERIES LINE
H = HIGHLINE C = CHRYSLER
P = PREMIUM F = EAGLE
S = SPORT

BODY
48 = SEDAN TYPE #8

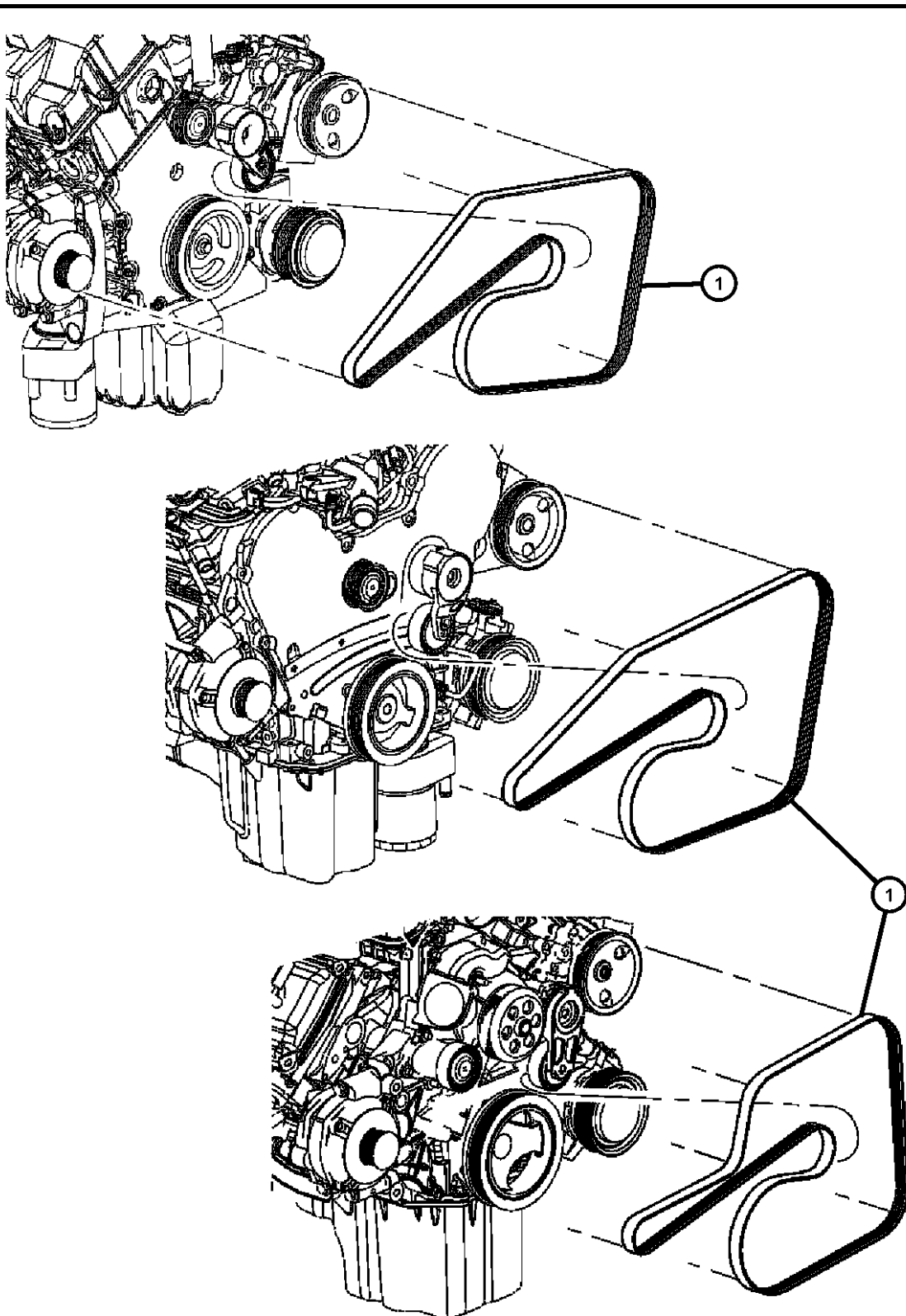
ENGINE
ERB = 3.XL Mid V6 Engine
EZH = 5.7L V8 HEMI MDS VCT Engine

TRANSMISSION
DGJ = 5-Speed Auto W5A580 Transmission

AR = use ase required - = Non illustrated part

2011 LX

Belts, Serpentine and V-Belts
Figure 7-505



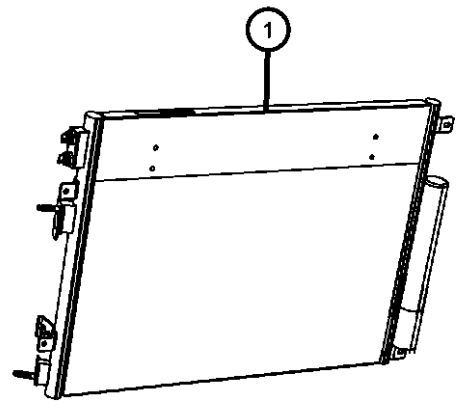
ITEM	PART NUMBER	QTY	LINE	SERIES	BODY	ENGINE	TRANS	TRIM	DESCRIPTION
1									BELT, Serpentine
	05184647AB	1	C, F, Z		48	ERB			
	04593684AA	1	C, F, Z		48	EZH			

MAGNUM/300/CHARGER (LX)

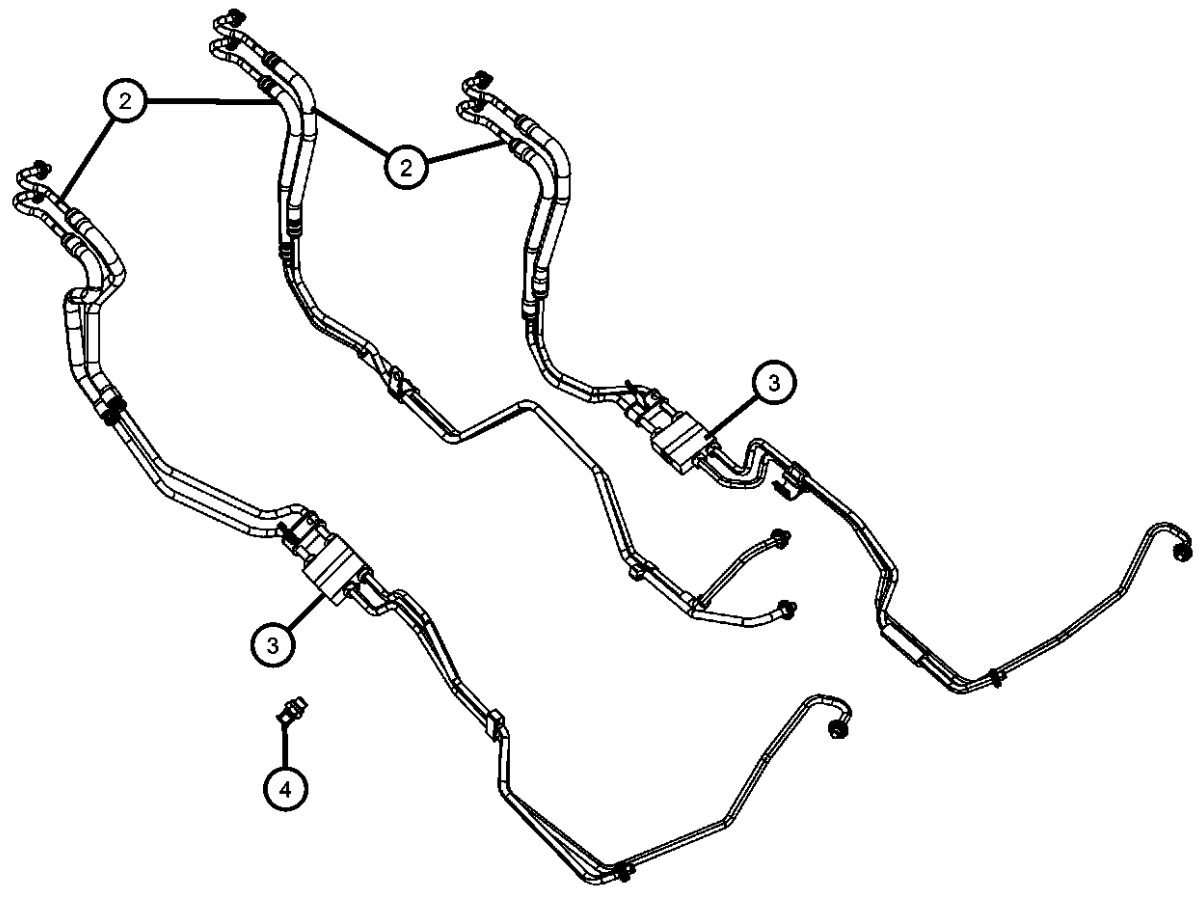
SERIES	LINE	BODY	ENGINE	TRANSMISSION
H = HIGHLINE	C = CHRYSLER	48 = SEDAN TYPE #8	ERB = 3.XL Mid V6 Engine	DGJ = 5-Speed Auto W5A580
P = PREMIUM	F = EAGLE		EZH = 5.7L V8 HEMI MDS	Transmission
S = SPORT			VCT Engine	

AR = use ase required - = Non illustrated part

Transmission Oil Cooler and Lines
Figure 7-605



ITEM	PART NUMBER	QTY	LINE	SERIES	BODY	ENGINE	TRANS	TRIM	DESCRIPTION
1	68085784AA	1	C, F, Z		48				COOLER, Condenser and Trans Cooler
2	04598101AB	1	C, F, Z		48	EZH	DGJ		TUBE AND HOSE, Oil Cooler
	55038164AB	1	C, F, Z		48	ERB	DGJ		
3	55111005AB	1	C, F, Z		48	ERB	DGJ		VALVE, Cooler Bypass
		1	C, F, Z		48	EZH	DGJ		
4	68034089AA	2	C, F, Z		48				CONNECTOR, Oil Cooler Tube



MAGNUM/300/CHARGER (LX)

SERIES	LINE	BODY	ENGINE	TRANSMISSION
H = HIGHLINE	C = CHRYSLER	48 = SEDAN TYPE #8	ERB = 3.XL Mid V6 Engine	DGJ = 5-Speed Auto W5A580
P = PREMIUM	F = EAGLE		EZH = 5.7L V8 HEMI MDS	Transmission
S = SPORT			VCT Engine	

AR = use ase required - = Non illustrated part

Group - 8

Electrical

008-1900 Ignition - Spark Plugs, Cables, Coils, and Glow Plugs	008-200 Generators / Alternators	008-2100 Instrument Panel Cluster	008-2200 Radio, Antenna, Speakers, DVD, and Video systems
008-2400 Navigation	008-2500 Telecommunication	008-2600 Park Assist	008-2700 Speed Control
008-300 Wiper and Washer System	008-400 Keys, Modules and Engine Controllers	008-500 Power Distribution Center, Fuse Block, Junction Block, Relays and Fuses	008-600 Sensors
008-800 Switches	008-900 Horns		

008-100 Starters	008-1000 Battery, Battery Tray and Cables	008-1100 Lamps-Interior and Exterior	008-1200 Wiring-Powertrain
008-1300 Wiring-Headlamp to Dash	008-1400 Wiring-Instrument Panel	008-1500 Wiring-Body and Accessories	008-1600 Wiring and Repair

Group - 8 Electrical

Illustration Title

Group-Fig. No.

Starters	
Starter and Related Parts, 3.6L [ERB].....	Fig. 8 - 104
Starter and Related Parts.....	Fig. 8 - 106
Remote Start	Fig. 8 - 115

Generators / Alternators

Generator/Alternator and Related Parts.....	Fig. 8 - 205
Generator/Alternator and Related Parts.....	Fig. 8 - 210

Wiper and Washer System

Wiper System Front.....	Fig. 8 - 305
Washer System Front.....	Fig. 8 - 310

Keys, Modules and Engine Controllers

Modules Engine Compartment.....	Fig. 8 - 405
Modules Instrument Panel.....	Fig. 8 - 410
Modules Overhead.....	Fig. 8 - 415
Modules Body	Fig. 8 - 420
Modules Lighting	Fig. 8 - 425
Modules Brakes, Suspension and Steering	Fig. 8 - 430
Receiver Modules, Keys and Key FOBS	Fig. 8 - 436

Power Distribution Center, Fuse Block, Junction Block, Relays and Fuses

Power Distribution Center	Fig. 8 - 505
---------------------------------	--------------

Sensors

Sensors, Gas Engine	Fig. 8 - 604
Sensors, Gas Engine	Fig. 8 - 607
Sensors Oxygen Gas	Fig. 8 - 615
Sensors Brakes	Fig. 8 - 625
Sensors Suspension and Steering.....	Fig. 8 - 630
Sensors Body.....	Fig. 8 - 635
Sensors Drivetrain	Fig. 8 - 640

Switches

Switches Instrument Panel	Fig. 8 - 805
Switches Doors, Decklid, and Liftgate.....	Fig. 8 - 815
Switches Body.....	Fig. 8 - 820
Switches Seats	Fig. 8 - 825
Switches Steering Wheel and Column	Fig. 8 - 830
Switches Powertrain	Fig. 8 - 835
Switches Heating and Air Conditioning.....	Fig. 8 - 840
Switches Lighting.....	Fig. 8 - 845

Horns

Horns.....	Fig. 8 - 905
------------	--------------

Battery, Battery Tray and Cables

Battery Tray and Support.....	Fig. 8 - 1005
Battery Wiring	Fig. 8 - 1010

Lamps-Interior and Exterior

Lamps Front.....	Fig. 8 - 1105
Lamps Rear.....	Fig. 8 - 1110
Lamps Interior	Fig. 8 - 1115

Wiring-Powertrain

Wiring Engine Gas	Fig. 8 - 1205
Wiring Engine Gas.....	Fig. 8 - 1206
Ground Straps.....	Fig. 8 - 1220

Wiring-Headlamp to Dash

Wiring Headlamp to Dash	Fig. 8 - 1305
-------------------------------	---------------

Wiring-Instrument Panel

Wiring Instrument Panel	Fig. 8 - 1405
-------------------------------	---------------

Wiring-Body and Accessories

Wiring Body.....	Fig. 8 - 1505
Wiring Door, Deck Lid, and Liftgate.....	Fig. 8 - 1515
Wiring Seats, Front.....	Fig. 8 - 1520
Wiring Air Conditioning and Heater.....	Fig. 8 - 1530

Wiring and Repair

Wiring Repairs.....	Fig. 8 - 1605
---------------------	---------------

Ignition - Spark Plugs, Cables, Coils, and Glow Plugs

Spark Plugs and Ignition Coil.....	Fig. 8 - 1905
Spark Plugs and Ignition Coil.....	Fig. 8 - 1910

Instrument Panel Cluster

Instrument Panel Cluster	Fig. 8 - 2105
--------------------------------	---------------

Radio, Antenna, Speakers, DVD, and Video systems

Radios and Center Stack.....	Fig. 8 - 2205
Antenna	Fig. 8 - 2210
Satellite Radio System.....	Fig. 8 - 2215
Speakers and Amplifiers.....	Fig. 8 - 2220
Rear Back Up Camera.....	Fig. 8 - 2230

Navigation

Navigation System	Fig. 8 - 2405
-------------------------	---------------

Telecommunication

Telecommunications	Fig. 8 - 2505
--------------------------	---------------

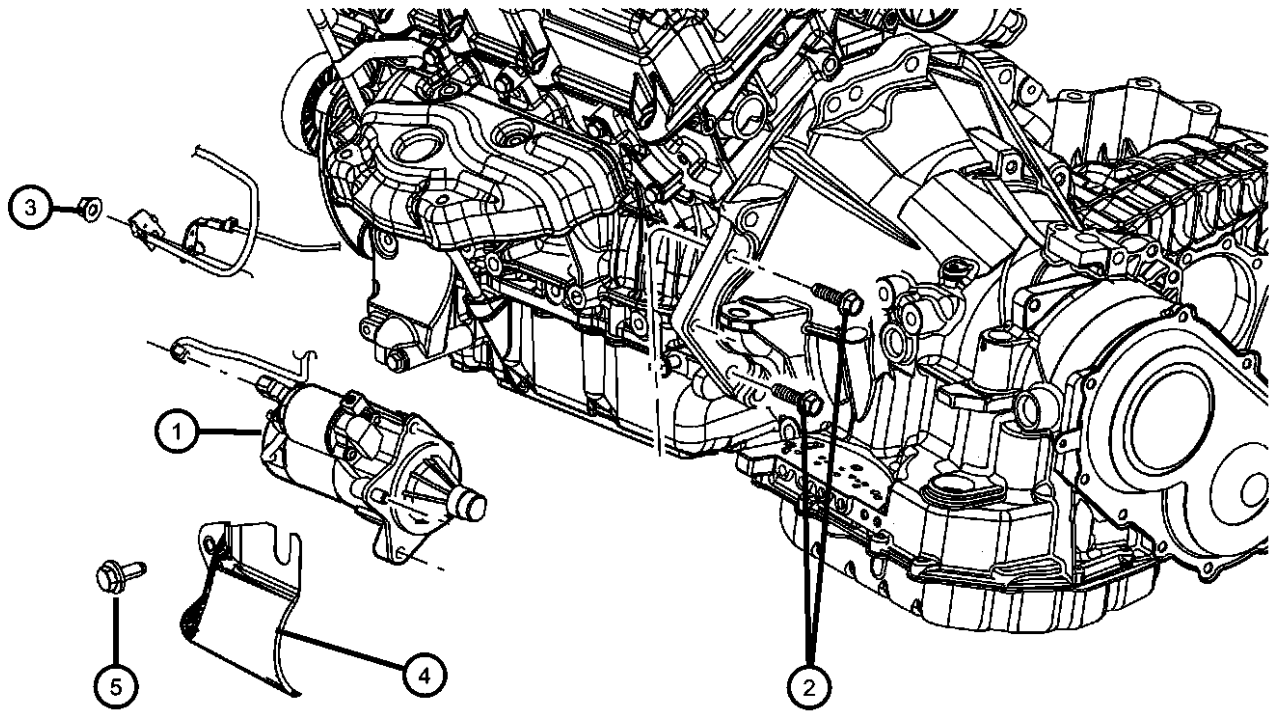
Park Assist

Park Assist.....	Fig. 8 - 2605
Blind Spot Detection	Fig. 8 - 2610

Speed Control

Speed Control	Fig. 8 - 2705
---------------------	---------------

**Starter and Related Parts, 3.6L [ERB]
Figure 8-104**



ITEM	PART NUMBER	QTY	LINE	SERIES	BODY	ENGINE	TRANS	TRIM	DESCRIPTION
1	04801852AB	1	C, F, Z		48	ERB			STARTER, Engine
2	06102225AA	2	C, F, Z		48	ERB			SCREW AND WASHER, Hex Head, M10X1.50X65.00
3	06101809	1	C, F, Z		48				NUT AND WASHER, Hex, M8x1.25
4	68068623AA	1	C, F, Z		48	ERB			SHIELD, Starter
5	06506710AA	1	C, F, Z		48	ERB			SCREW AND WASHER, Hex Head, M8-1.25x22.00

MAGNUM/300/CHARGER (LX)

SERIES LINE
H = HIGHLINE C = CHRYSLER
P = PREMIUM F = EAGLE
S = SPORT

BODY
48 = SEDAN TYPE #8

ENGINE
ERB = 3.XL Mid V6 Engine
EZH = 5.7L V8 HEMI MDS
VCT Engine

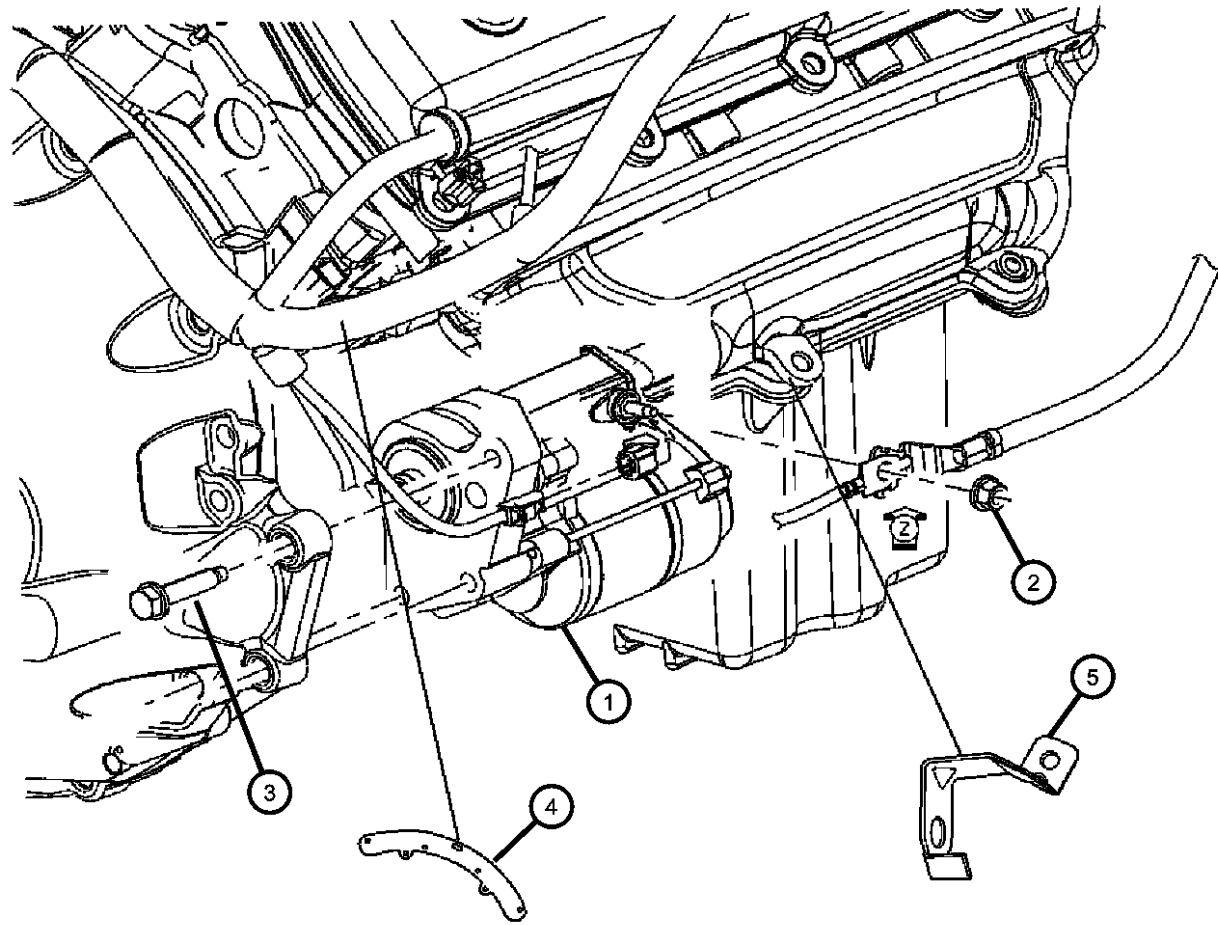
TRANSMISSION
DGJ = 5-Speed Auto W5A580
Transmission

AR = use ase required - = Non illustrated part

2011 LX

**Starter and Related Parts
Figure 8-106**

ITEM	PART NUMBER	QTY	LINE	SERIES	BODY	ENGINE	TRANS	TRIM	DESCRIPTION
1									STARTER, Engine
	04608801AB	1	C		48	EZH			
	04896464AC	1	F		48	EZH			
2	06101809	1	C, F, Z		48				NUT AND WASHER, Hex, M8x1.25
3									BOLT AND WASHER, Hex Head, M10x1.50x50.00
	06502717	3	C		48	EZH			
		2	F, Z		48	EZH			
4	04608997AC	1	C, F, Z		48	EZH			BRACKET, Wiring Harness
5	04607124AA	1	C		48	EZH			BRACKET, Wiring



MAGNUM/300/CHARGER (LX)

SERIES LINE
H = HIGHLINE C = CHRYSLER
P = PREMIUM F = EAGLE
S = SPORT

BODY
48 = SEDAN TYPE #8

ENGINE
ERB = 3.XL Mid V6 Engine
EZH = 5.7L V8 HEMI MDS
VCT Engine

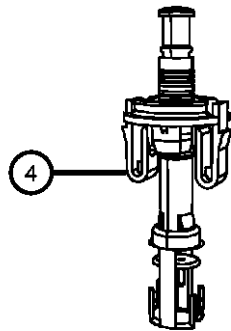
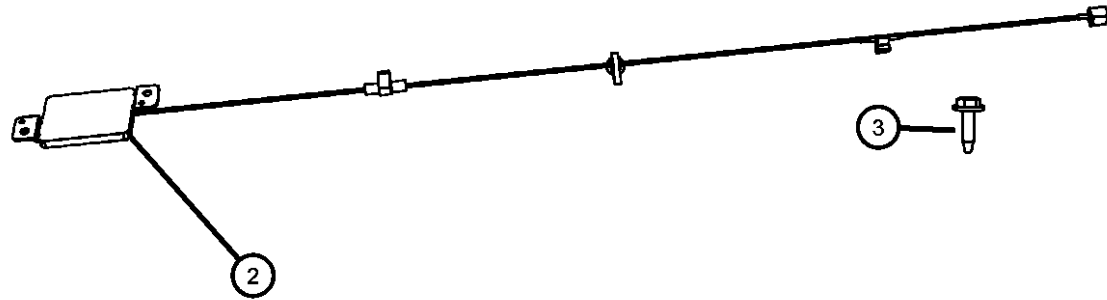
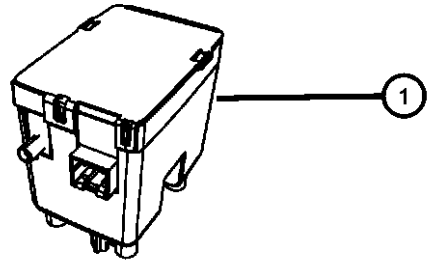
TRANSMISSION
DGJ = 5-Speed Auto W5A580
Transmission

AR = use ase required - = Non illustrated part

2011 LX

Remote Start
Figure 8-115

ITEM	PART NUMBER	QTY	LINE	SERIES	BODY	ENGINE	TRANS	TRIM	DESCRIPTION
1	05026796AE	1	C, F, Z		48				RECEIVER, Hub, [XBM]
2	68061308AB	1	C, F, Z		48				ANTENNA, Remote Start And Keyless Entry, [XBM]
3		1							SCREW, Tapping Hex Head, M4.2X1.7X15.80, (NOT SERVICED)
4	04589687AA	1	C, F, Z		48				SWITCH, Underhood, Switch no longer serviced separately, must order hood latch



MAGNUM/300/CHARGER (LX)

SERIES LINE
H = HIGHLINE C = CHRYSLER
P = PREMIUM F = EAGLE
S = SPORT

BODY
48 = SEDAN TYPE #8

ENGINE
ERB = 3.XL Mid V6 Engine
EZH = 5.7L V8 HEMI MDS
VCT Engine

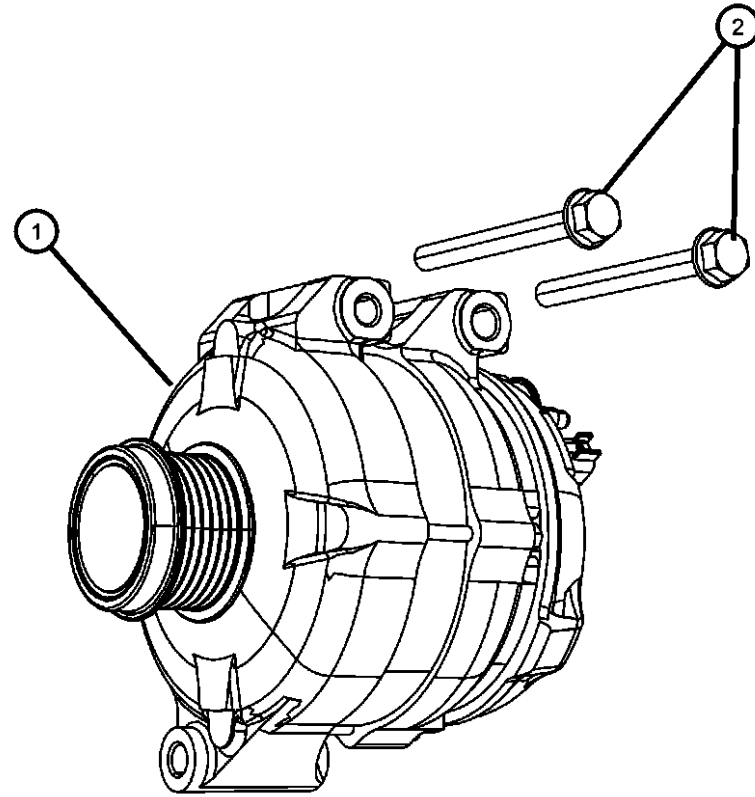
TRANSMISSION
DGJ = 5-Speed Auto W5A580
Transmission

AR = use ase required - = Non illustrated part

2011 LX

**Generator/Alternator and Related Parts
Figure 8-205**

ITEM	PART NUMBER	QTY	LINE	SERIES	BODY	ENGINE	TRANS	TRIM	DESCRIPTION
1	04801778AF	1	C, F, Z		48	ERB			GENERATOR, Engine [BAD]
	04801779AG	1	C, F, Z		48	ERB			[BAB]
2	06104206AA	2	C, F, Z		48	ERB			SCREW, Hex Flange Head, M8X1.25X80.0
-3	06508887AA	1	C, F, Z		48	ERB			STUD, Double Ended, M8x1.25x94.00, Alternator to Engine Block and Cover



MAGNUM/300/CHARGER (LX)

SERIES LINE
H = HIGHLINE C = CHRYSLER
P = PREMIUM F = EAGLE
S = SPORT

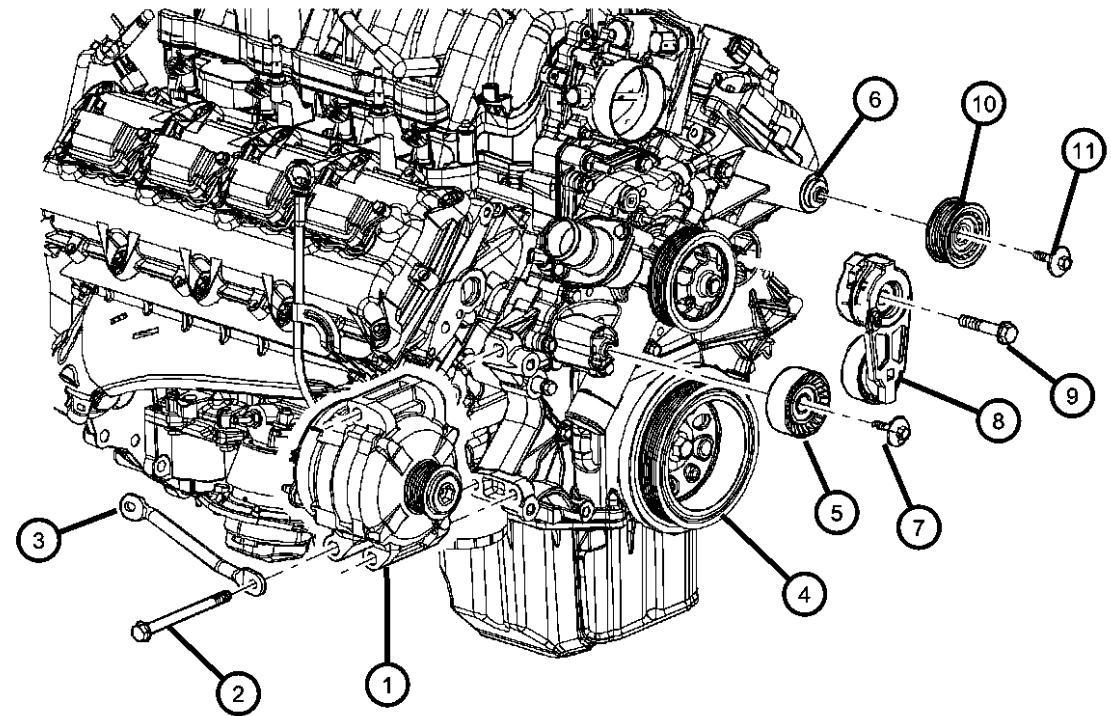
BODY
48 = SEDAN TYPE #8

ENGINE
ERB = 3.XL Mid V6 Engine
EZH = 5.7L V8 HEMI MDS
VCT Engine

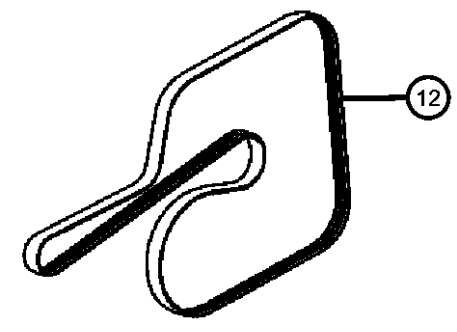
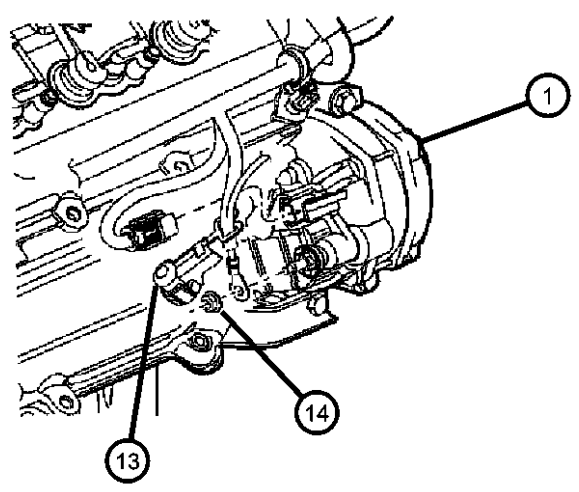
TRANSMISSION
DGJ = 5-Speed Auto W5A580
Transmission

AR = use ase required - = Non illustrated part

**Generator/Alternator and Related Parts
Figure 8-210**



ITEM	PART NUMBER	QTY	LINE	SERIES	BODY	ENGINE	TRANS	TRIM	DESCRIPTION
1	04801866AB	1	C, F, Z		48	EZH			GENERATOR, Engine [BAB]
	04801833AB	1	C, F, Z		48	EZH			[BAD]
2	06104230AA	3	C, F, Z		48	EZH			BOLT, Hex Flange Head, M10X1.50X130.00
3	04593924AC	1	F		48	EZH			STRUT, Alternator Bracket
	04593946AC	1	C		48	EZH			
4	53022413AA	1	C, F, Z		48	EZH			DAMPER, Crankshaft
5	04891720AA	1	C, F, Z		48	EZH			PULLEY, Idler
6	04593918AA	1	C, F, Z		48	EZH			BRACKET, Idler Pulley
7	06509487AA	1	C, F, Z		48	EZH			SCREW, Hex Flange Head, M8x1.25x34, Backside Idler Pulley to Water Pump
8	04861660AA	1	C, F, Z		48	EZH			TENSIONER, Belt
9	06104221AA	1	C, F, Z		48	EZH			BOLT, Hex Flange Head, M10X1.50X55.00
10	04593985AA	1	C, F		48	EZH			PULLEY, Idler
11	06509487AA	1	C, F		48	EZH			SCREW, Hex Flange Head, M8x1.25x34, Idler Pulley to Idler Pulley Bracket
12	04593684AA	1	C, F, Z		48	EZH			BELT, Serpentine
13		1							CAP, Serviced in Engine Harness only, (NOT SERVICED)
14	06502720	1	C, F, Z		48				NUT, Hex Flange Lock, M8x1.25



MAGNUM/300/CHARGER (LX)
 SERIES LINE
 H = HIGHLINE C = CHRYSLER
 P = PREMIUM F = EAGLE
 S = SPORT

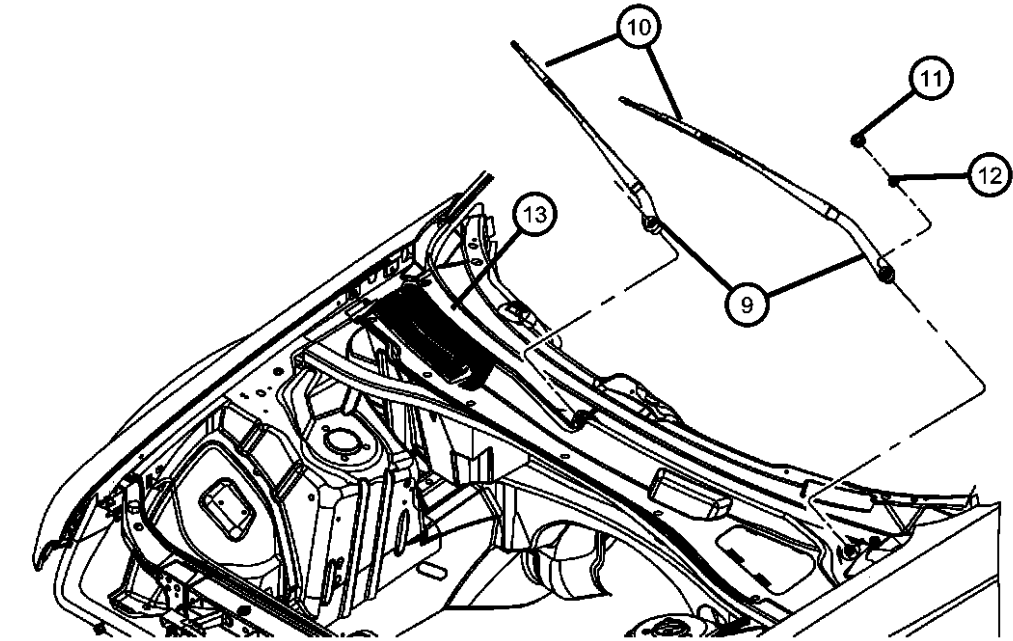
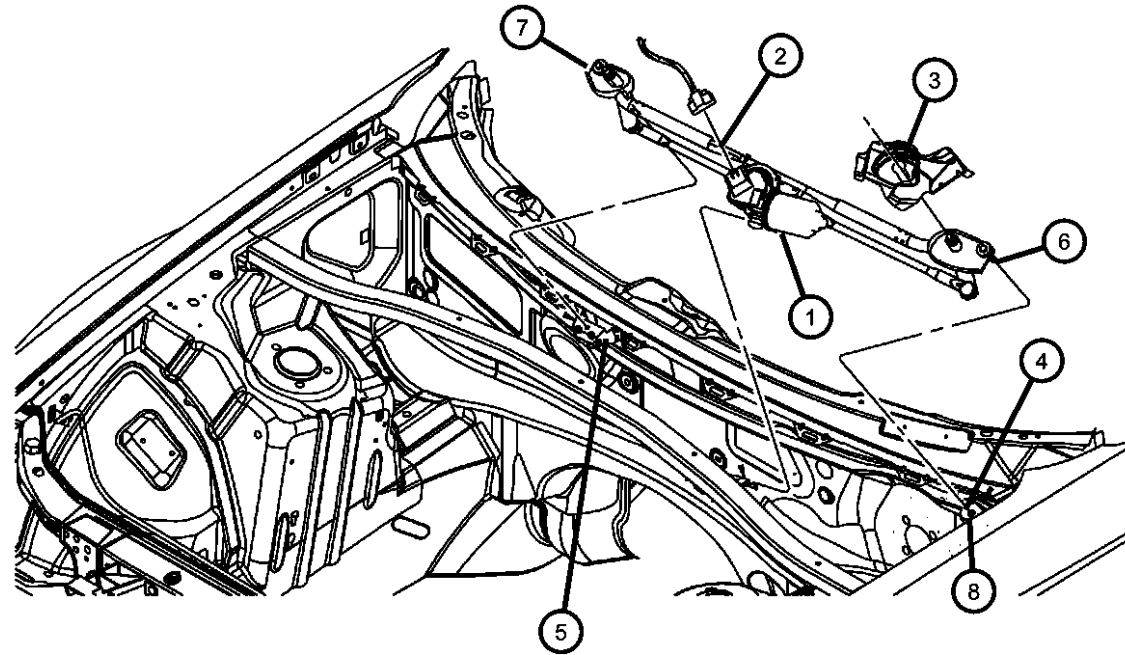
BODY
 48 = SEDAN TYPE #8

ENGINE
 ERB = 3.XL Mid V6 Engine
 EZH = 5.7L V8 HEMI MDS VCT Engine

TRANSMISSION
 DGJ = 5-Speed Auto W5A580 Transmission

AR = use ase required - = Non illustrated part

**Wiper System Front
Figure 8-305**



ITEM	PART NUMBER	QTY	LINE	SERIES	BODY	ENGINE	TRANS	TRIM	DESCRIPTION
1	68082552AA	1	C, F		48				MOTOR, Windshield wiper
2	68082553AA	1	C, F		48				PIVOT AND LINKAGE, Wiper
3	68040243AB	1	C, F		48	ERB, EZH			MUCKET, Cowl, Wiper Pivot
4	05112056AB	1	C, F		48				BRACKET, Wiper Motor
5	05065361AA	1	C, F, Z		48				BRACKET, Wiper
6	06507943AA	1	C, F		48				SCREW, Hex Head, M6X1X31
7	06507942AA	1	C, F		48				SCREW, Hex Head, M6X1X31
8	06505903AA	2	C, F, Z		48				SCREW AND WASHER, Self Tapping, M6x1x22
9									ARM, Front Wiper
	68082555AA	1	C, F		48				[Left]
	68082554AA	1	C, F		48				[Right]
10									BLADE, Front Wiper
	68082556AA	1	C, F		48				[Right]
	68082557AA	1	C, F		48				[Left]
11	04630783	2	C, F		48				CAP, Wiper Arm
12	06504954AA	2	C, F		48				NUT AND WASHER, Hex, M10X1.25
13	68038078AA	1	C, F, Z		48				PANEL, Cowl Top

MAGNUM/300/CHARGER (LX)

SERIES LINE
H = HIGHLINE C = CHRYSLER
P = PREMIUM F = EAGLE
S = SPORT

BODY
48 = SEDAN TYPE #8

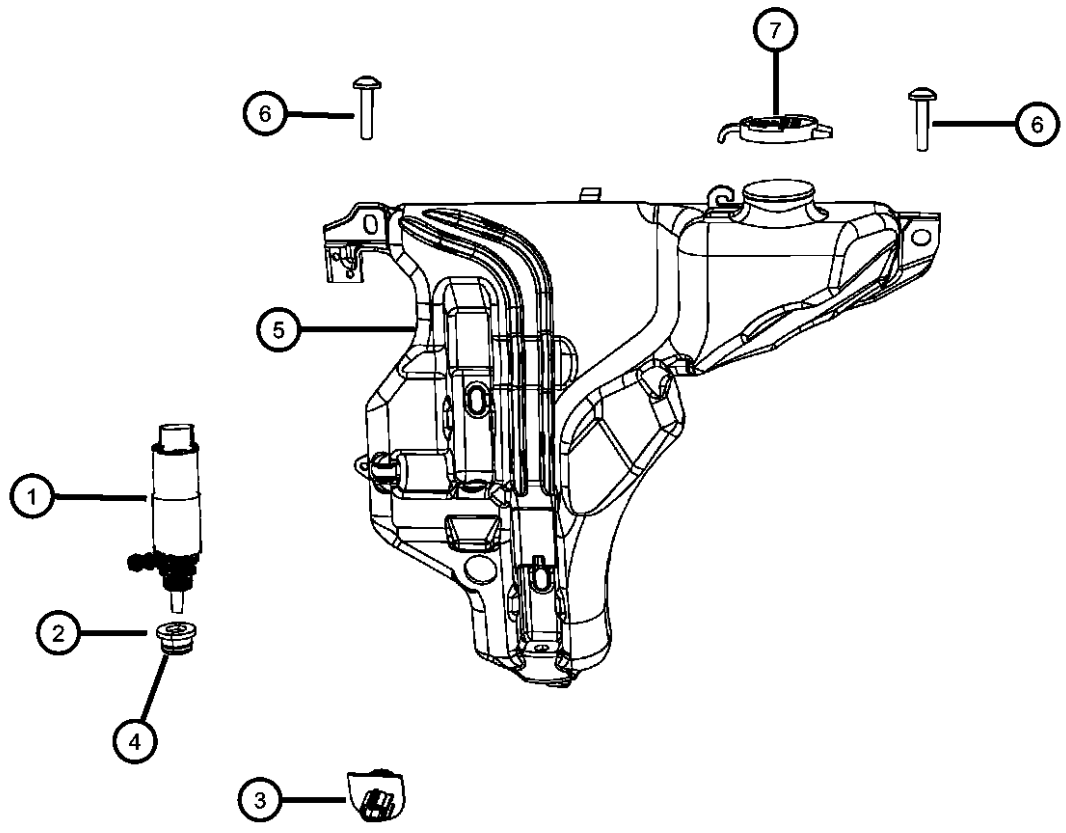
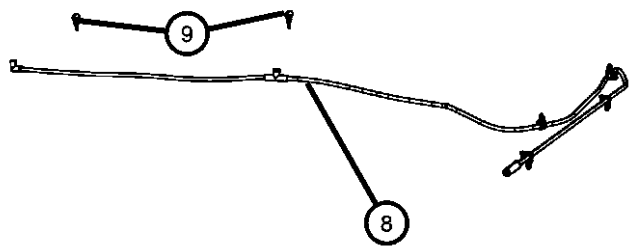
ENGINE
ERB = 3.XL Mid V6 Engine
EZH = 5.7L V8 HEMI MDS
VCT Engine

TRANSMISSION
DGJ = 5-Speed Auto W5A580
Transmission

AR = use ase required - = Non illustrated part

Washer System Front
Figure 8-310

ITEM	PART NUMBER	QTY	LINE	SERIES	BODY	ENGINE	TRANS	TRIM	DESCRIPTION
1	05139113AA	1	C, F, Z		48				PUMP, Washer, Windshield
2	05102254AA	1	C, F, Z		48				GROMMET, Windshield Washer Pump
3	05152029AB	1	C, F, Z		48				SENSOR, Washer Fluid Level
4	05152031AA	1	C, F, Z		48				GROMMET, Washer Level Sensor
5	68125524AA	1	C, F, Z		48				RESERVOIR, Windshield Washer
6	06034716	2	C, F		48				SCREW AND WASHER, Hex Flange Head, .25-14x.875
7	05189351AA	1	C, F, Z		48				CAP, Washer Reservoir
8									HOSE AND CONNECTOR, Windshield Washer
	68057740AC	1	C, F		48				Washer Reservoir
	68057739AC	1	C, F, Z		48				Frt Washer Nozzle
9	05182327AA	2	C, F, Z		48				NOZZLE, Windshield washer



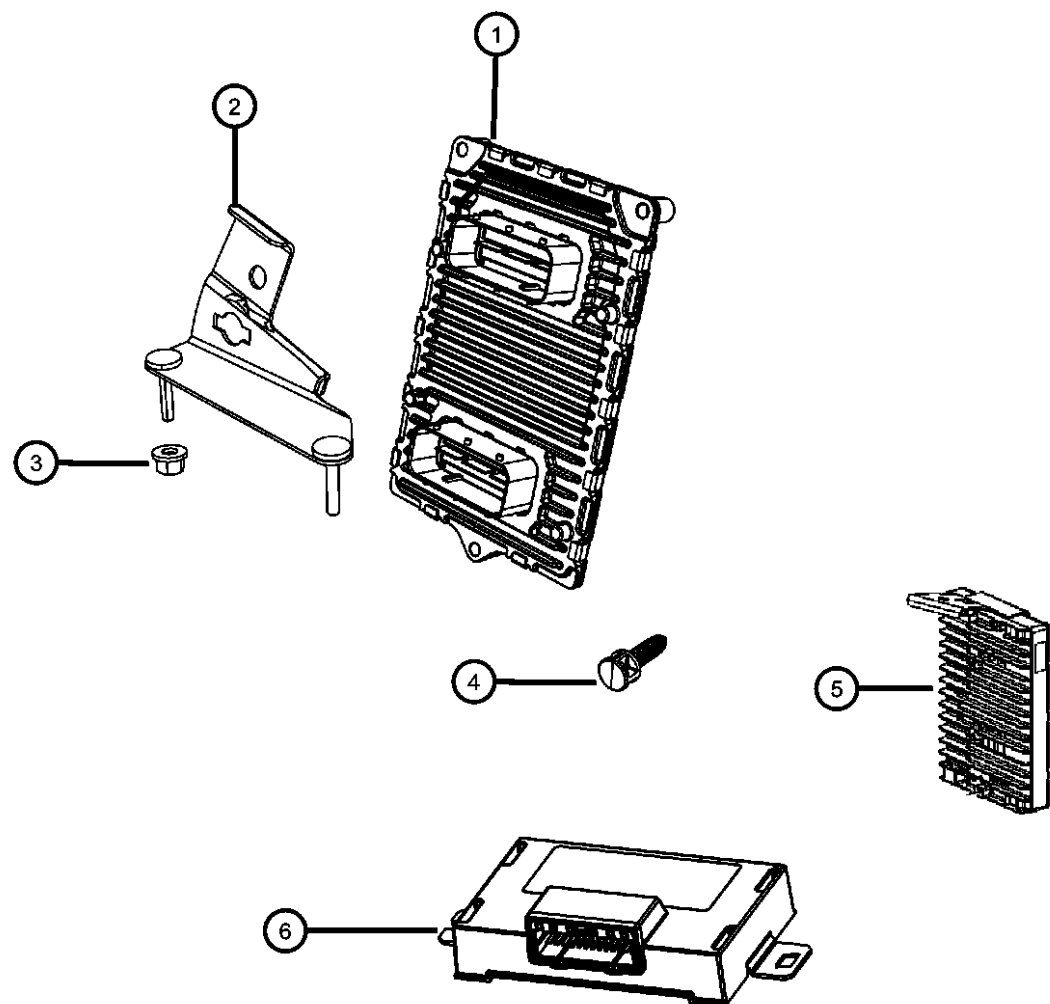
MAGNUM/300/CHARGER (LX)

SERIES	LINE	BODY	ENGINE	TRANSMISSION
H = HIGHLINE P = PREMIUM S = SPORT	C = CHRYSLER F = EAGLE	48 = SEDAN TYPE #8	ERB = 3.XL Mid V6 Engine EZH = 5.7L V8 HEMI MDS VCT Engine	DGJ = 5-Speed Auto W5A580 Transmission

AR = use ase required - = Non illustrated part

**Modules Engine Compartment
Figure 8-405**

ITEM	PART NUMBER	QTY	LINE	SERIES	BODY	ENGINE	TRANS	TRIM	DESCRIPTION
1									MODULE, Engine Controller
	05150545AE	1	C, F, Z		48	ERB		DGJ	
	05150546AE	1	C, F, Z		48	EZH			
2	05187982AC	1	C, F		48	ERB, EZH			BRACKET, Engine Control Module
3	06101802	2	C, F		48	ERB, EZH			NUT AND WASHER, Hex, M6X1.00
4									PLUG, Noise
	68068411AA	1	C, F, Z		48	ERB			[ERB]
		1	C, F, Z		48	EZH			[EZH]
5	68065111AE	1	C, F, Z		48			DGJ	MODULE, Transmission Control
6	56029529AE	1	F		48				MODULE, Transfer Case Control



MAGNUM/300/CHARGER (LX)

SERIES LINE
H = HIGHLINE C = CHRYSLER
P = PREMIUM F = EAGLE
S = SPORT

BODY
48 = SEDAN TYPE #8

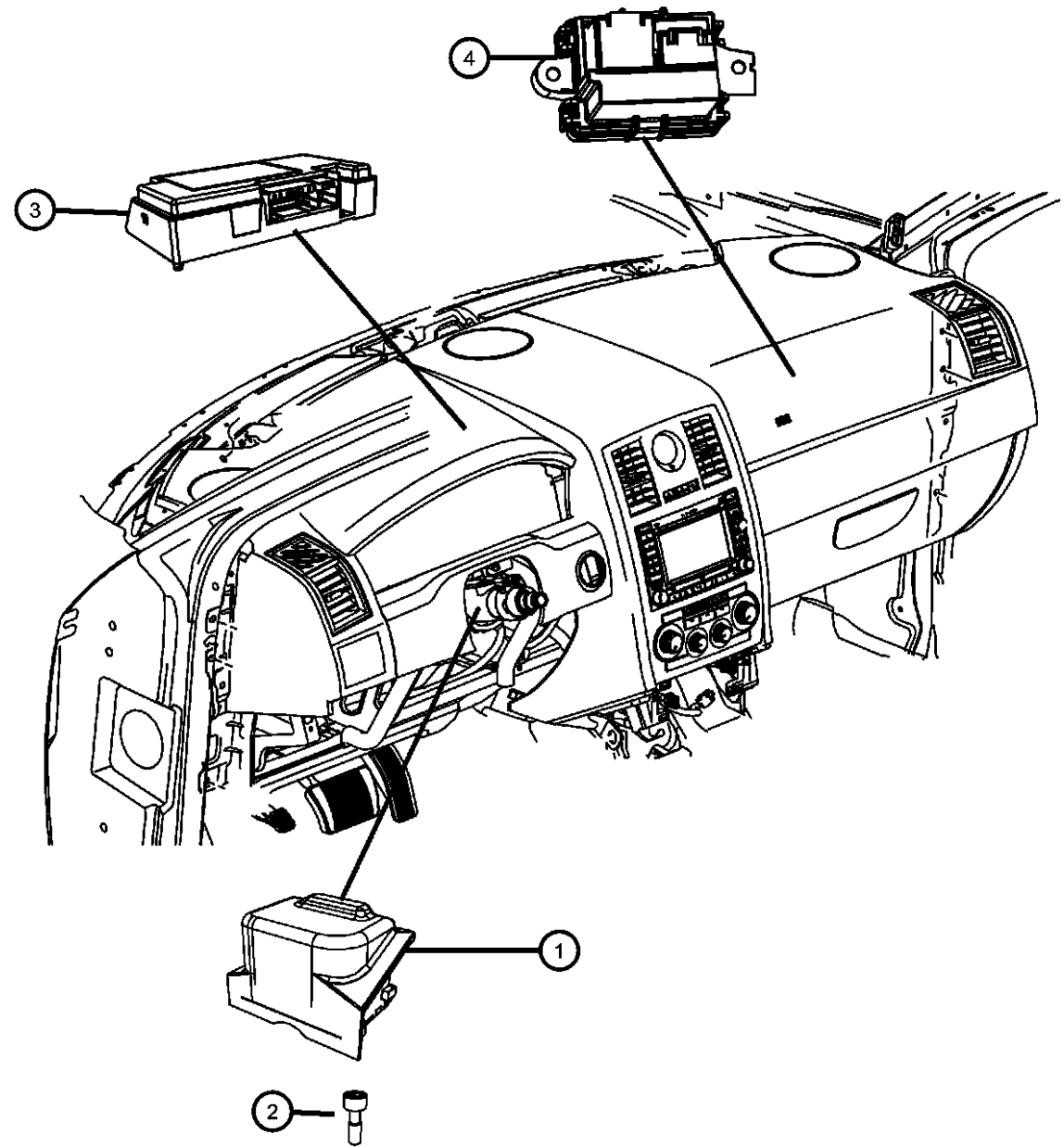
ENGINE
ERB = 3.XL Mid V6 Engine
EZH = 5.7L V8 HEMI MDS
VCT Engine

TRANSMISSION
DGJ = 5-Speed Auto W5A580
Transmission

AR = use ase required - = Non illustrated part

2011 LX

Modules Instrument Panel
Figure 8-410



ITEM	PART NUMBER	QTY	LINE	SERIES	BODY	ENGINE	TRANS	TRIM	DESCRIPTION
1	1JH93DX9AE	1	C, F, Z		48				MODULE, Steering Column [SUD]
	1JH94HL9AD	1	C, F, Z		48				[L9], [SUB]
	1JH95DX9AD	1	C, F, Z		48				[XL], [X9], [SUB], [NHS]
	1JH94DX9AD	1	C, F, Z		48				[XL], [X9], [SUB]
	1JH95HL9AD	1	C, F, Z		48				[L9], [SUB], [NHS]
2		1							SCREW, Cap Head, M5X0.8X16.25, (NOT SERVICED),
3									MODULE, Telematics
	05064986AG	1	C, F, Z		48				[RSP]
	05064987AG	1	C, F, Z		48				[RSQ]
4	68110616AA	1	C, F		48				MODULE, Power, Blower Motor, [HAF]

MAGNUM/300/CHARGER (LX)

SERIES LINE
H = HIGHLINE C = CHRYSLER
P = PREMIUM F = EAGLE
S = SPORT

BODY
48 = SEDAN TYPE #8

ENGINE
ERB = 3.0L Mid V6 Engine
EZH = 5.7L V8 HEMI MDS
VCT Engine

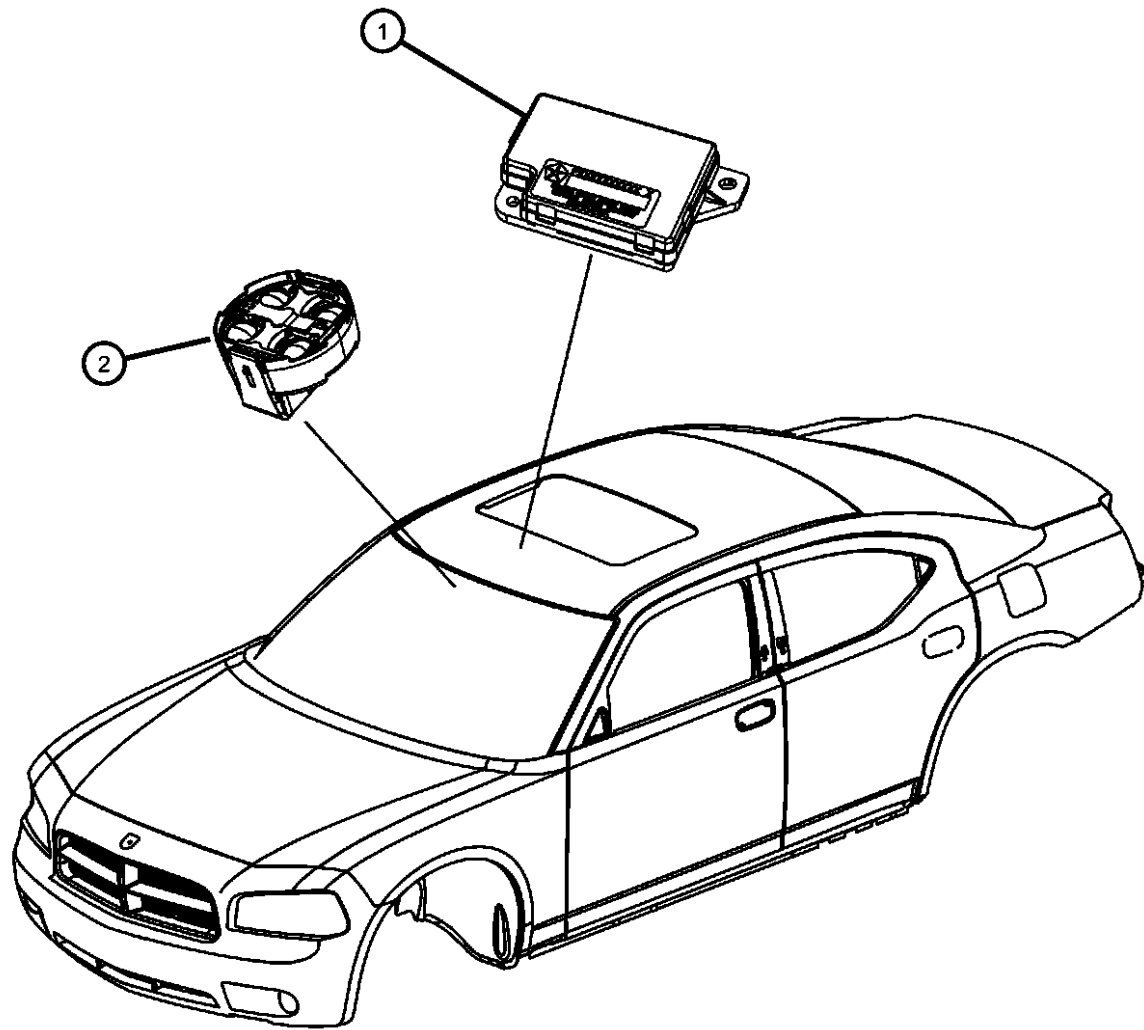
TRANSMISSION
DGJ = 5-Speed Auto W5A580
Transmission

AR = use ase required - = Non illustrated part

2011 LX

Modules Overhead
Figure 8-415

ITEM	PART NUMBER	QTY	LINE	SERIES	BODY	ENGINE	TRANS	TRIM	DESCRIPTION
1	04671918AJ	1	C, F, Z		48				MODULE, Compass, [JFA]
2	05026608AC	1	C, F, Z		48				MODULE, Rain Sensor, [JHC]



MAGNUM/300/CHARGER (LX)

SERIES LINE
H = HIGHLINE C = CHRYSLER
P = PREMIUM F = EAGLE
S = SPORT

BODY
48 = SEDAN TYPE #8

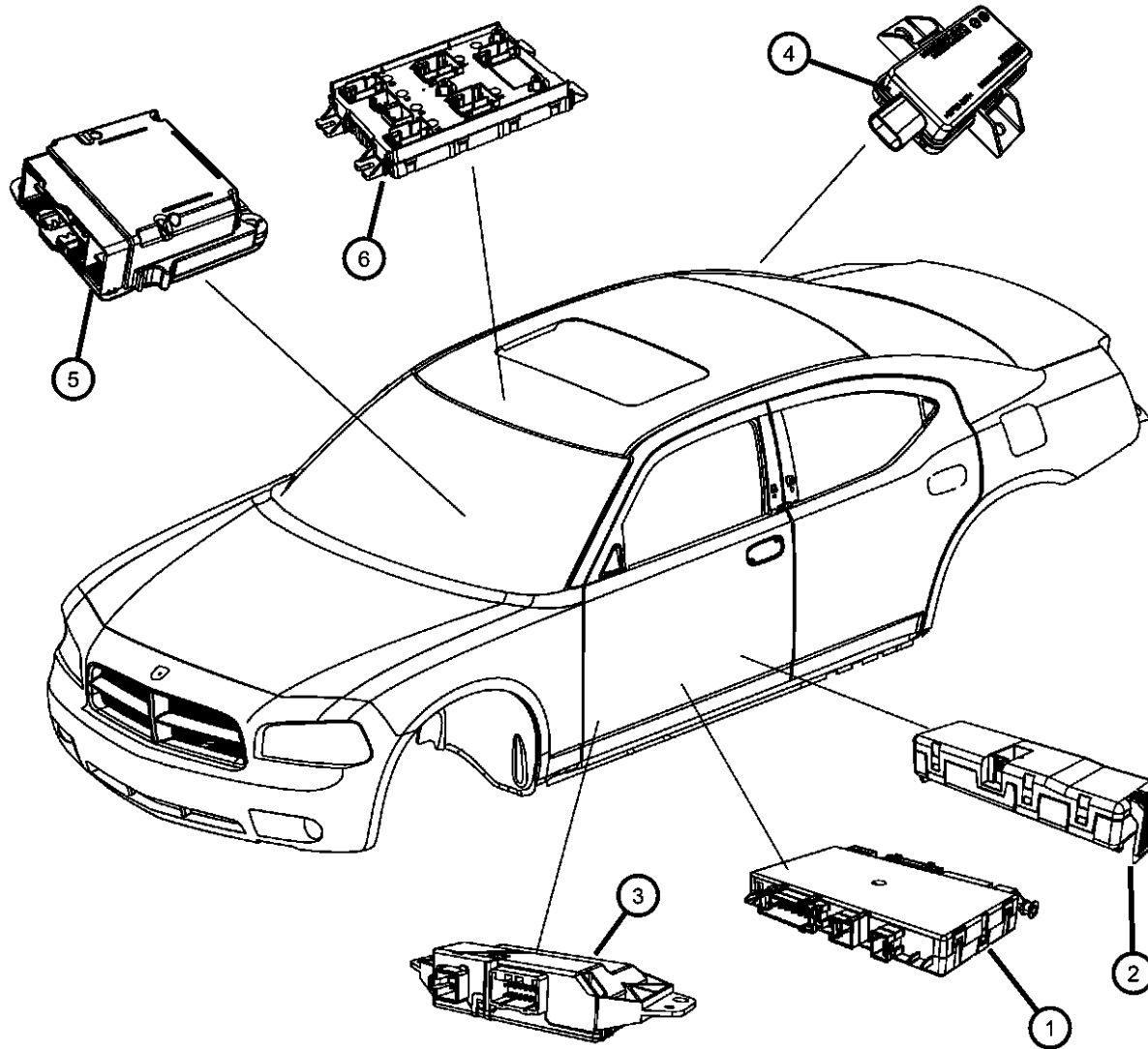
ENGINE
ERB = 3.XL Mid V6 Engine
EZH = 5.7L V8 HEMI MDS
VCT Engine

TRANSMISSION
DGJ = 5-Speed Auto W5A580
Transmission

AR = use ase required - = Non illustrated part

2011 LX

Modules Body
Figure 8-420



ITEM	PART NUMBER	QTY	LINE	SERIES	BODY	ENGINE	TRANS	TRIM	DESCRIPTION
1	05026619AD	1	C, F		48				MODULE, Seat Memory
2	68058077AD	1	C, F		48				MODULE, Heated Seat
	68058083AD	1	C, F		48				[XA8] Without Adjustable Pedals
									[XAM] With Adjustable Pedals
3	05026610AF	1	C, F, Z		48				MODULE, Door
	05026611AF	1	C, F, Z		48				Right Front
									Left Front
4	56029543AB	1	C, F, Z		48				MODULE, Low Tire Pressure Warning
5	68105510AA	1	C, F, Z		48				MODULE, Occupant Restraint
6	04692274AI	1	C, F, Z		48				MODULE, Body Controller
	04692275AI	1	C, F, Z		48				[LMQ]
									[LMC]

MAGNUM/300/CHARGER (LX)

SERIES LINE
H = HIGHLINE C = CHRYSLER
P = PREMIUM F = EAGLE
S = SPORT

BODY
48 = SEDAN TYPE #8

ENGINE
ERB = 3.XL Mid V6 Engine
EZH = 5.7L V8 HEMI MDS
VCT Engine

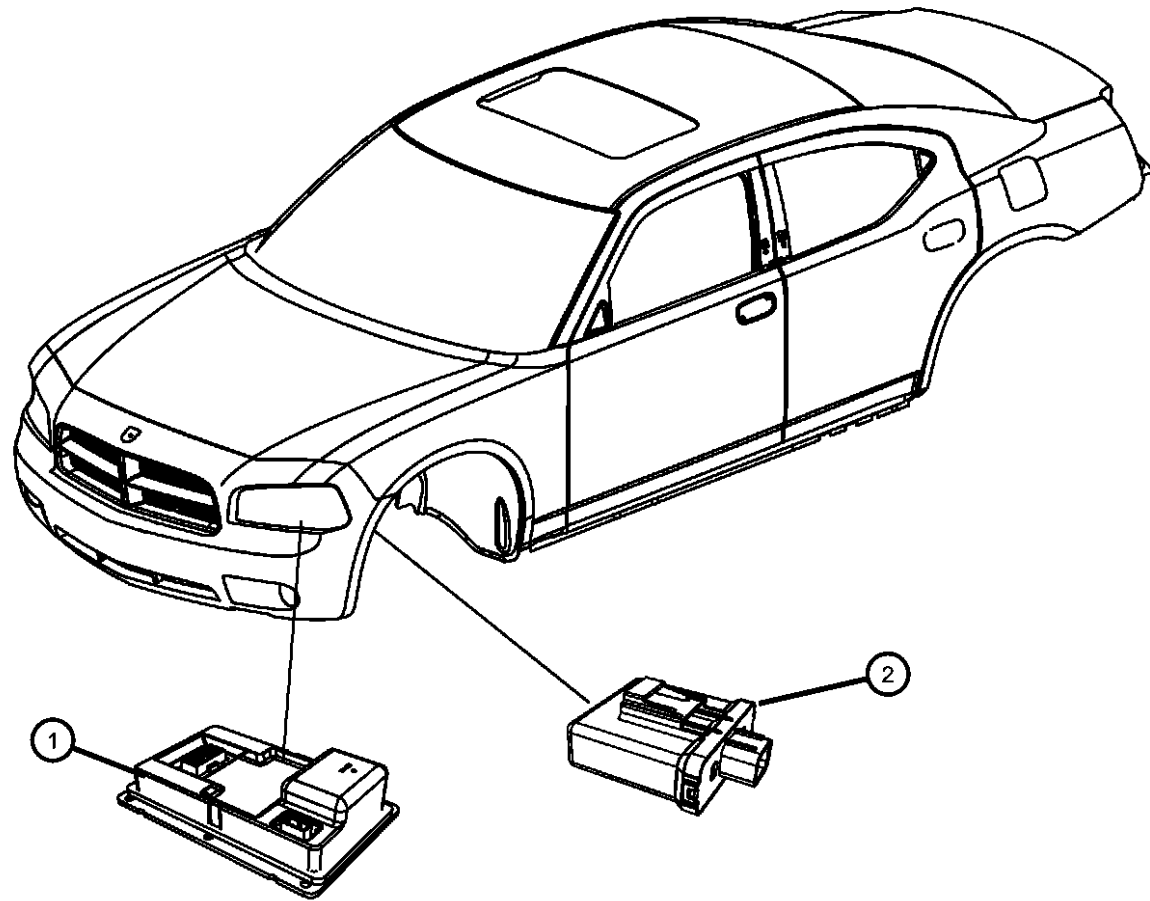
TRANSMISSION
DGJ = 5-Speed Auto W5A580
Transmission

AR = use ase required - = Non illustrated part

2011 LX

Modules Lighting
Figure 8-425

ITEM	PART NUMBER	QTY	LINE	SERIES	BODY	ENGINE	TRANS	TRIM	DESCRIPTION
1	68137851AA	1	C, F, Z		48				MODULE, HID Ballast
2	57010712AB	1	C, F, Z		48				MODULE, Headlamp LevelingExport



MAGNUM/300/CHARGER (LX)

SERIES LINE
H = HIGHLINE C = CHRYSLER
P = PREMIUM F = EAGLE
S = SPORT

BODY
48 = SEDAN TYPE #8

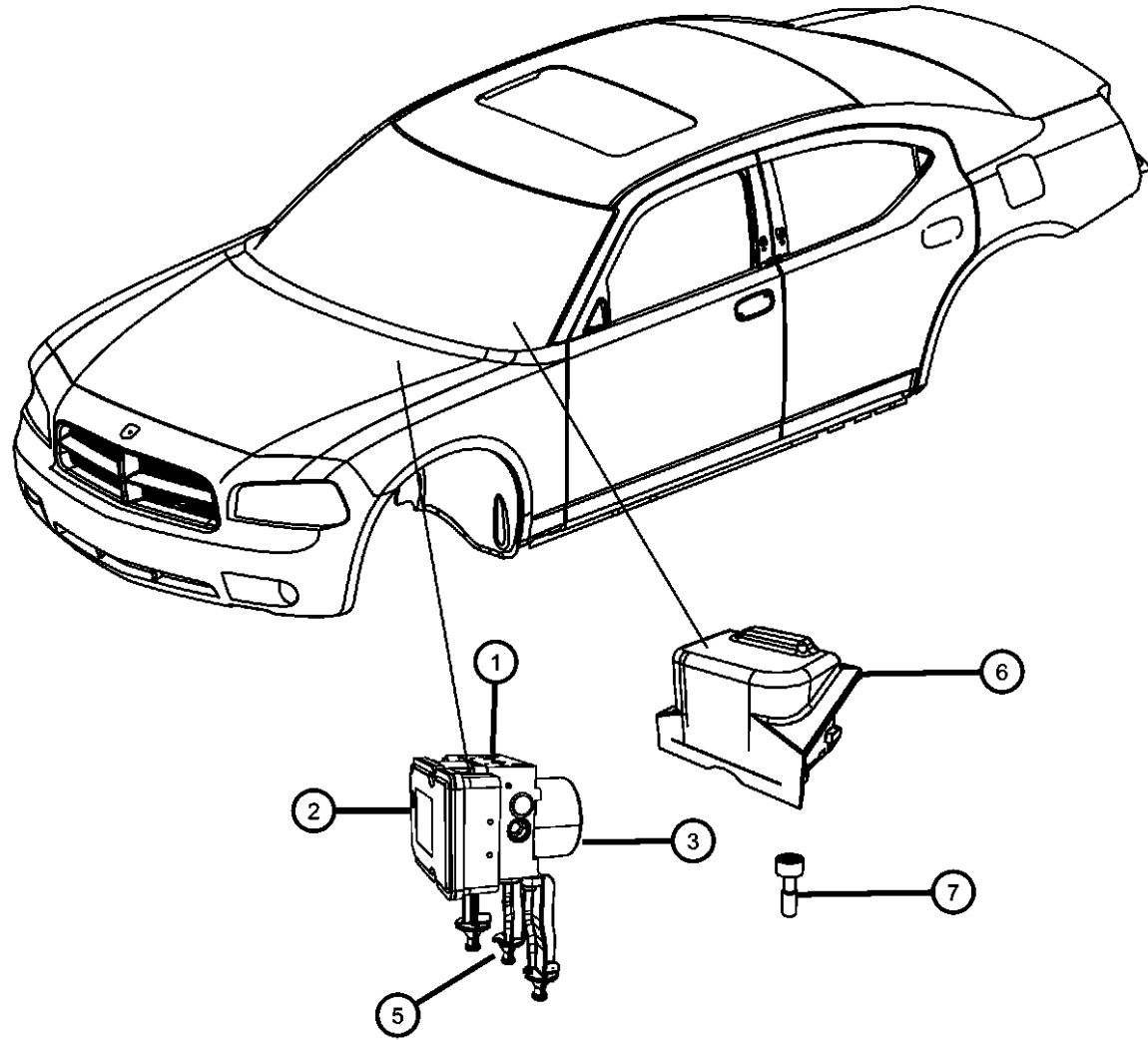
ENGINE
ERB = 3.XL Mid V6 Engine
EZH = 5.7L V8 HEMI MDS
VCT Engine

TRANSMISSION
DGJ = 5-Speed Auto W5A580
Transmission

AR = use ase required - = Non illustrated part

2011 LX

Modules Brakes, Suspension and Steering
Figure 8-430



ITEM	PART NUMBER	QTY	LINE	SERIES	BODY	ENGINE	TRANS	TRIM	DESCRIPTION
1	68087355AA	1	C, F, Z		48				CONTROL UNIT, Anti-Lock Brake, [NHP]
2	68089527AA	1	C, F, Z		48				MODULE, Anti-Lock Brake System
3	68089525AA	1	C, F, Z		48				HYDRAULIC CONTROL UNIT, Anti-Lock Brake System
-4	68020717AA	1	C, F, Z		48				SEAL, ECU Coil Seal
5	05175604AA	1	C, F, Z		48				BRACKET, Anti-Lock Brake Module, [NHP]
6									MODULE, Steering Column
	1JH93DX9AE	1	C, F, Z		48				[SUD]
	1JH95DX9AD	1	C, F, Z		48				[XL], [X9], [SUB], [NHS]
	1JH95HL9AD	1	C, F, Z		48				[L9], [SUB], [NHS]
	1JH94DX9AD	1	C, F, Z		48				[XL], [X9], [SUB]
	1JH94HL9AD	1	C, F, Z		48				[L9], [SUB]
7		1							SCREW, Cap Head, M5X0.8X16.25, (NOT SERVICED),

MAGNUM/300/CHARGER (LX)

SERIES LINE
H = HIGHLINE C = CHRYSLER
P = PREMIUM F = EAGLE
S = SPORT

BODY
48 = SEDAN TYPE #8

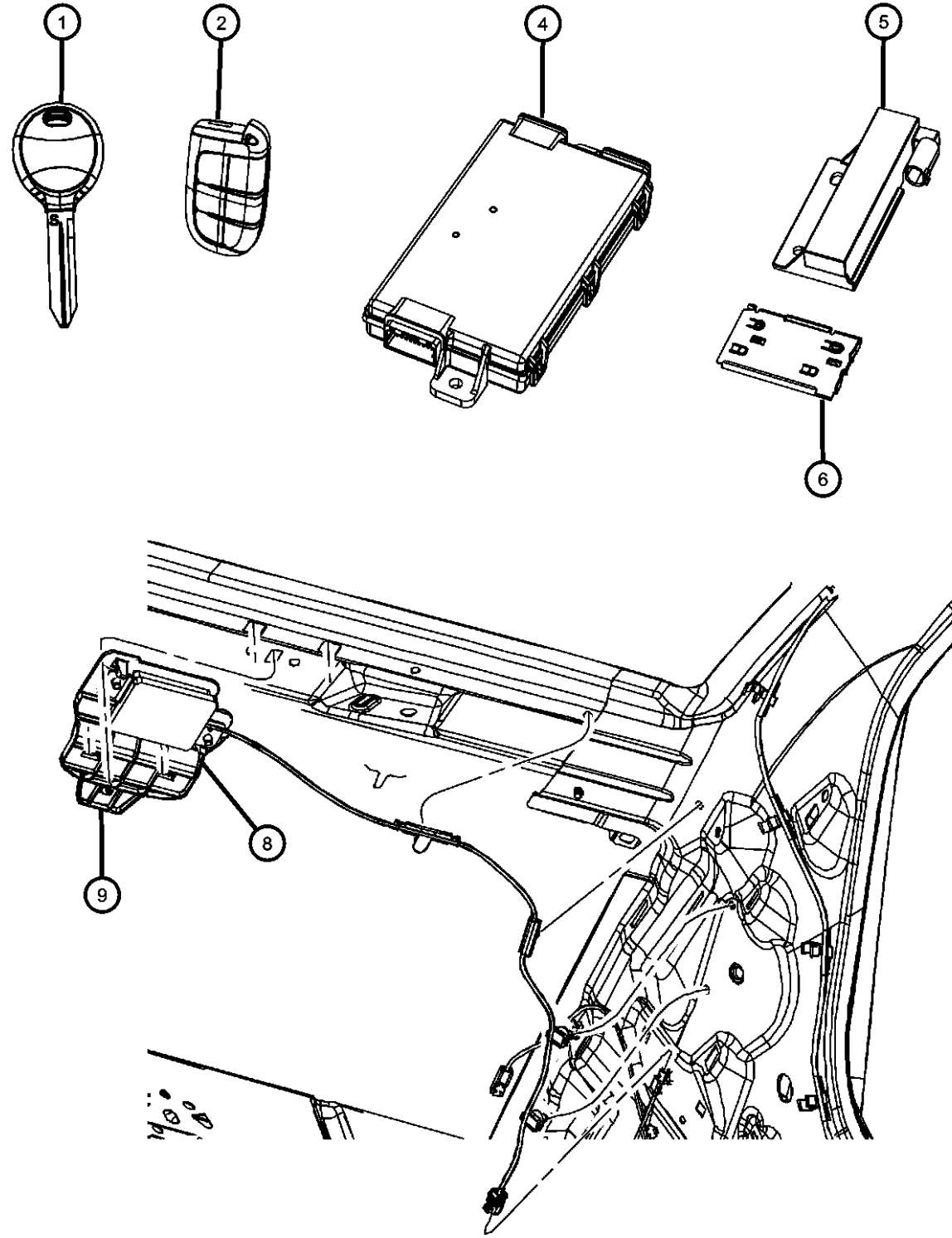
ENGINE
ERB = 3.XL Mid V6 Engine
EZH = 5.7L V8 HEMI MDS VCT Engine

TRANSMISSION
DGJ = 5-Speed Auto W5A580 Transmission

AR = use ase required - = Non illustrated part

2011 LX

Receiver Modules, Keys and Key FOBS
Figure 8-436



ITEM	PART NUMBER	QTY	LINE	SERIES	BODY	ENGINE	TRANS	TRIM	DESCRIPTION
1	68085680AA	1	C, F, Z		48				KEY, Blank
2									TRANSMITTER, Integrated Key FOB
	56046758AA	2	C, F, Z		48				[XBM]
	56046759AA	2	C, F, Z		48				[XBM]
-3	05066241AB	1	C, F, Z		48				BATTERY, Transmitter
4									RECEIVER, Hub
	05026796AE	1	C, F, Z		48				[XBM]
	05026794AE	1	C, F, Z		48				[XBM]
5									ANTENNA, Passive Entry
	68051315AB	1	C, F, Z		48				Right and Left Rear Door
		1	C, F, Z		48				Center Console
	68068148AA	1	C, F, Z		48				Trunk
6	68068072AA	1	C, F, Z		48				BRACKET, Antenna, Trunk
-7	06101945	2	C, F, Z		48				SCREW, Hex Flange Head, M4.2X1.70X15.00, Center Console
8	68061308AB	1	C, F, Z		48				ANTENNA, Remote Start And Keyless Entry
9	68067455AC	1	C, F, Z		48				BRACKET, Antenna, [XBM]

MAGNUM/300/CHARGER (LX)

SERIES LINE
H = HIGHLINE C = CHRYSLER
P = PREMIUM F = EAGLE
S = SPORT

BODY
48 = SEDAN TYPE #8

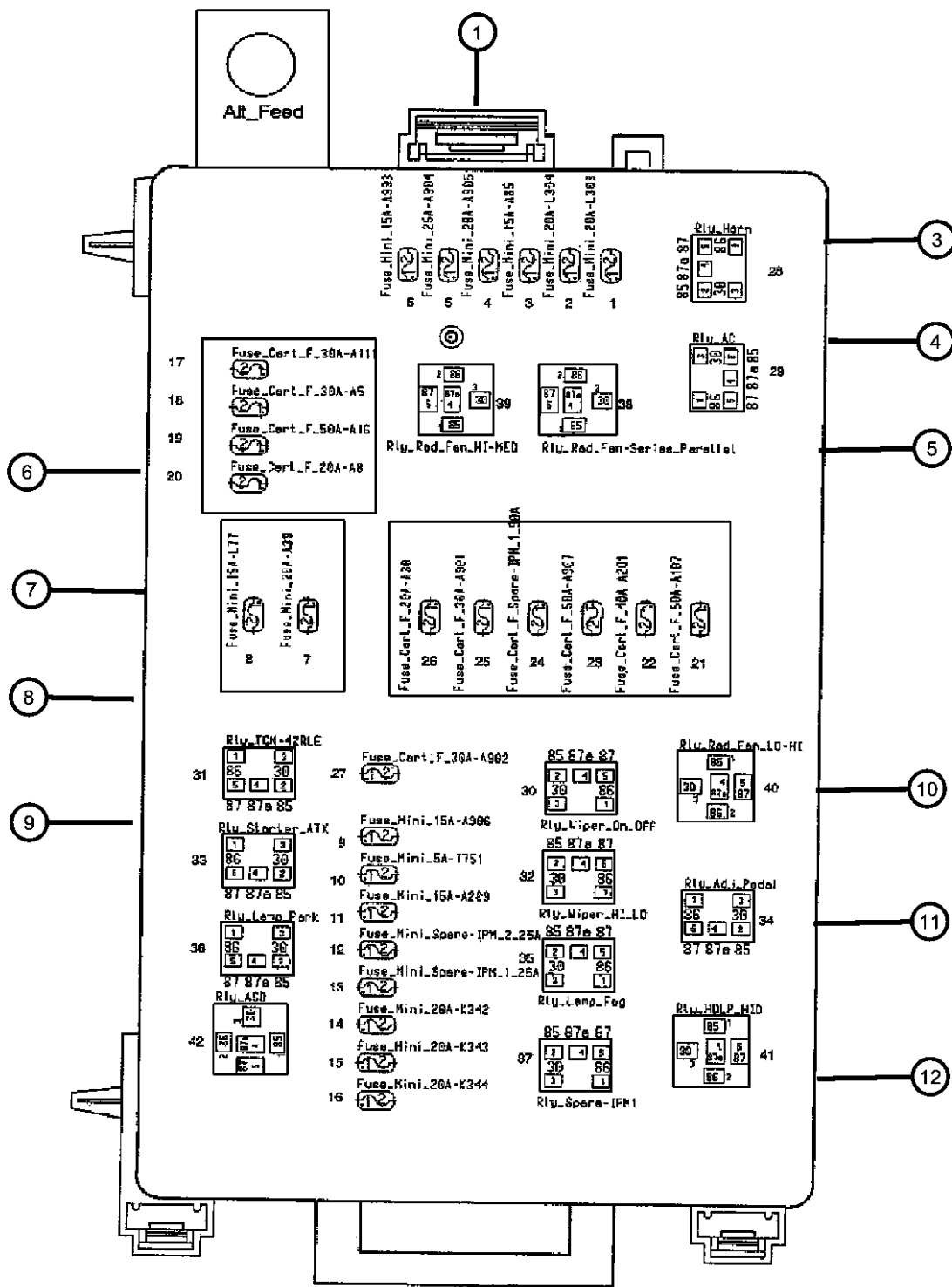
ENGINE
ERB = 3.XL Mid V6 Engine
EZH = 5.7L V8 HEMI MDS
VCT Engine

TRANSMISSION
DGJ = 5-Speed Auto W5A580
Transmission

AR = use ase required - = Non illustrated part

2011 LX

Power Distribution Center
Figure 8-505



ITEM	PART NUMBER	QTY	LINE	SERIES	BODY	ENGINE	TRANS	TRIM	DESCRIPTION
1		1							POWER DISTRIBUTION CENTER, (NOT SERVICED)
-2	04607880AB	1	C, F, Z		48				BRACKET, Power Distribution Center
3		1							COVER, Power Distribution Center, (NOT SERVICED)
4	04727370AA	1	C		48				RELAY, Mini Vacuum Pump, Starter, Rad. Fan #1, Fuel Pump, Rad Fan #2, Rad Fan #3, Ign Run/Start, Headlamp Washers, ASD #1
5	05269988AA	1	C		48				RELAY, Mini Vacuum Pump, Starter, Rad. Fan #1, Fuel Pump, Rad Fan #2, Rad Fan #3, Ign Run/Start, Headlamp Washers, ASD #1
6	68137024AA	1	C		48				RELAY, Mini Frt Axle Disconnect, Horns, Frt Wiper #1, AC Clutch, Trans, Frt Wiper #2
7	68137031AA	1	C		48				FUSE, Mini, 10 AMP, Red Security, A/C Clutch, Anti-Lock Brake Module, Engine Cont/Rad Fan Relay, Air Bag Module, Pwr Steering Mod/AC Clutch Relay, AWD Mod/Frt Axle Disconnect
8	68137033AA	1	C		48				FUSE, Mini, 15 AMP, Light Blue Security, A/C Clutch, Anti-Lock Brake Module, Engine Cont/Rad Fan Rly, Airbag Module, Power Str Mod/AC Clutch Rly,AWD Mod/Frt Axle Disconnect
9	68137035AA	1	C		48				FUSE, Mini, 20 AMP, Yellow Trans/Shifter
		1	F		48				FUSE, Mini, 25 Amp, Natural Trans/Shifter
		1	F		48				FUSE, Mini, 20 AMP, Yellow AWD Module, Horns, ASD Feed #2, Vacuum Pump
		1	F		48				FUSE, Mini, 25 Amp, Natural AWD Module, Horns, ASD Feed #2, Vacuum Pump
		1	F		48				FUSE, Mini, 25 Amp, Natural Anti-Lock Brakes, Transmission, Fuel Pump, Engine Module, ASD Feed #1
		1	F		48				Anti-Lock Brakes, Transmission, Fuel Pump, Engine Module, ASD Feed #1

MAGNUM/300/CHARGER (LX)

SERIES LINE
H = HIGHLINE C = CHRYSLER
P = PREMIUM F = EAGLE
S = SPORT

BODY
48 = SEDAN TYPE #8

ENGINE
ERB = 3.0L Mid V6 Engine
EZH = 5.7L V8 HEMI MDS
VCT Engine

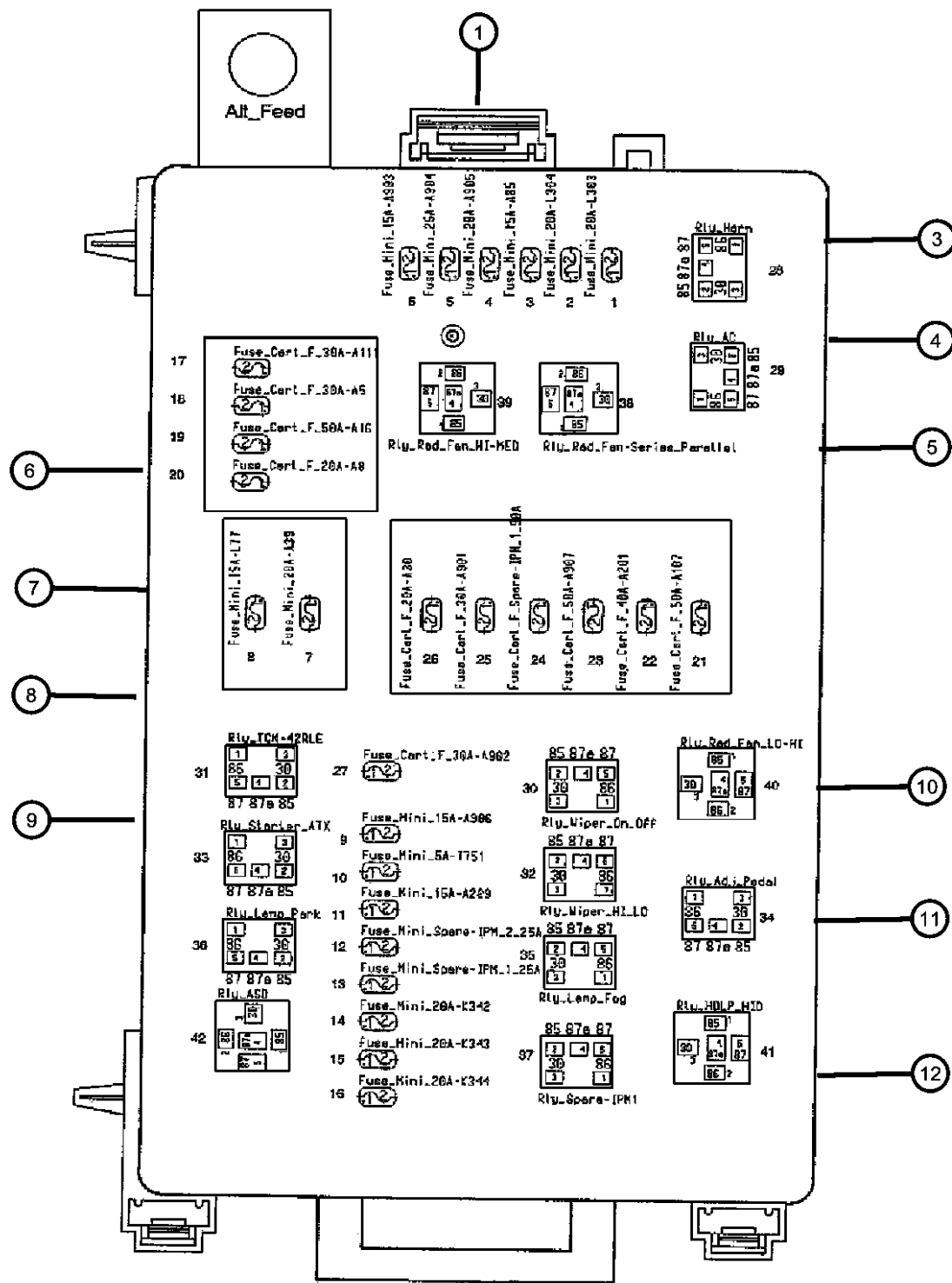
TRANSMISSION
DGJ = 5-Speed Auto W5A580
Transmission

AR = use ase required - = Non illustrated part

2011 LX

Power Distribution Center
Figure 8-505

ITEM	PART NUMBER	QTY	LINE	SERIES	BODY	ENGINE	TRANS	TRIM	DESCRIPTION
------	-------------	-----	------	--------	------	--------	-------	------	-------------



10	68137154AA	1	F		48				FUSE 30 AMP, Starter, Wiper Motor, Headlamp Washers
		1	C		48				30 AMP, Starter, Wiper Motor, Headlamp Washers
11	68137044AA	1	F		48				FUSE, 40 AMP Radiator Fan #1, Anti-Lock Brakes
		1	C		48				Radiator Fan #1, Anti-Lock Brakes
12	68137045AA	1	C		48				FUSE, 50 AMP Power Steering #1, Radiator Fan #2, Power Steering #2
		1	F		48				Power Steering #1, Radiator Fan #2, Power Steering #2

MAGNUM/300/CHARGER (LX)

SERIES LINE
H = HIGHLINE C = CHRYSLER
P = PREMIUM F = EAGLE
S = SPORT

BODY
48 = SEDAN TYPE #8

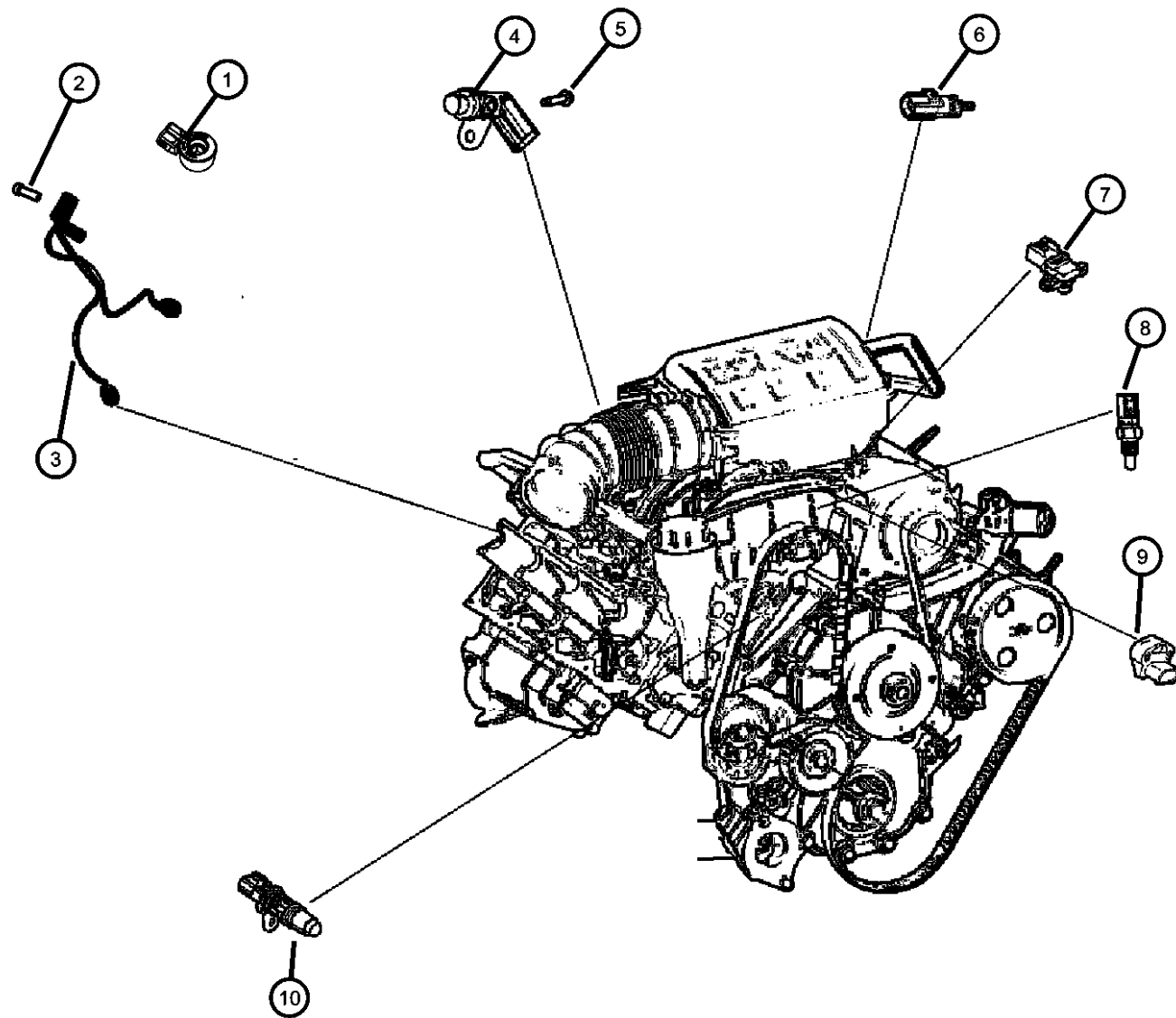
ENGINE
ERB = 3.XL Mid V6 Engine
EZH = 5.7L V8 HEMI MDS
VCT Engine

TRANSMISSION
DGJ = 5-Speed Auto W5A580
Transmission

AR = use ase required - = Non illustrated part

2011 LX

Sensors, Gas Engine
Figure 8-604



ITEM	PART NUMBER	QTY	LINE	SERIES	BODY	ENGINE	TRANS	TRIM	DESCRIPTION
1	05149188AA	2	C, F, Z		48	ERB			SENSOR, Knock
2	06509301AA	2	C, F, Z		48	ERB			SCREW, Pan Head, M8X1.25X22.00
3	05148105AE	1	C, F, Z		48	ERB			WIRING, KNOCK, OIL PRESSURE, & TEMPERATURE SENSOR
4	05149167AD	1	C, F, Z		48	ERB			SENSOR, Crankshaft Position
5	06105038AA	1	C, F, Z		48	ERB			BOLT, Hex Flange Head, M6X1.00X25.00
6	05149182AB	1	C, F, Z		48	ERB			SENSOR, Air Temperature
7	05149174AB	1	C, F, Z		48	ERB			SENSOR, MAP
8	05149077AB	1	C, F, Z		48	ERB			SENSOR, Coolant Temperature
9		1							SENSOR, Throttle Position, serviced in throttle body, (NOT SERVICED)
10	05149141AF	2	C, F, Z		48	ERB			SENSOR, Camshaft

MAGNUM/300/CHARGER (LX)

SERIES LINE
H = HIGHLINE C = CHRYSLER
P = PREMIUM F = EAGLE
S = SPORT

BODY
48 = SEDAN TYPE #8

ENGINE
ERB = 3.XL Mid V6 Engine
EZH = 5.7L V8 HEMI MDS VCT Engine

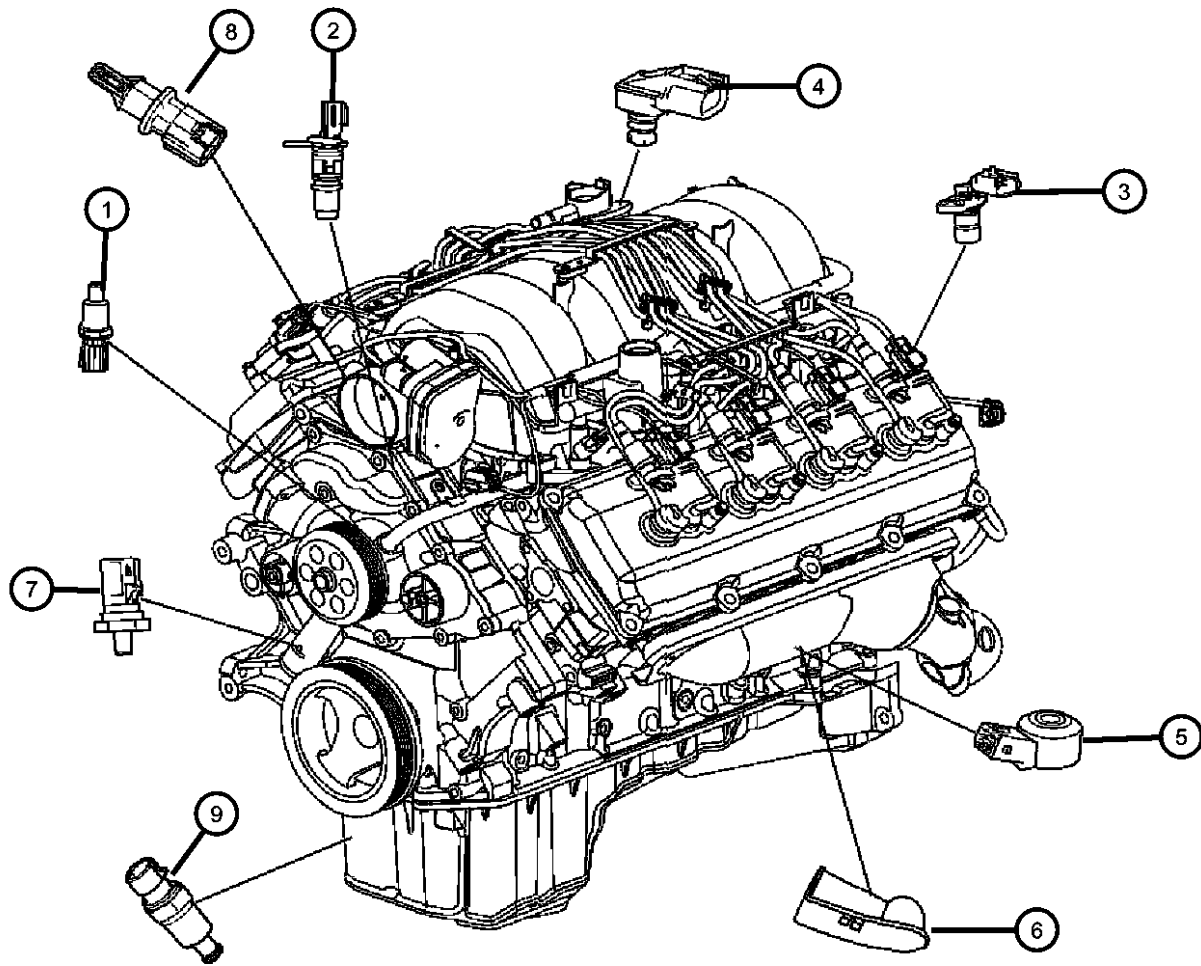
TRANSMISSION
DGJ = 5-Speed Auto W5A580 Transmission

AR = use ase required - = Non illustrated part

2011 LX

Sensors, Gas Engine
Figure 8-607

ITEM	PART NUMBER	QTY	LINE	SERIES	BODY	ENGINE	TRANS	TRIM	DESCRIPTION
1	05149096AB	1	C, F, Z		48	EZH			SENSOR, Coolant Temperature
2	05149054AC	1	C, F, Z		48	EZH			SENSOR, Camshaft
3	05149230AA	1	C, F, Z		48	EZH			SENSOR, Crankshaft Position
4	05033310AC	1	C, F, Z		48	EZH			SENSOR, MAP
5	05033316AA	2	C, F, Z		48	EZH			SENSOR, Knock
6	05094164AB	2	C, F, Z		48	EZH			SHIELD, Heat
7	05149062AA	1	C, F, Z		48	EZH			SENDING UNIT, Oil Pressure
8	05149279AB	1	C, F, Z		48	EZH			SENSOR, Charge Air Temp
9	05149077AB	1	C, F, Z		48	EZH			SENSOR, Coolant Temperature



MAGNUM/300/CHARGER (LX)

SERIES LINE
H = HIGHLINE C = CHRYSLER
P = PREMIUM F = EAGLE
S = SPORT

BODY
48 = SEDAN TYPE #8

ENGINE
ERB = 3.XL Mid V6 Engine
EZH = 5.7L V8 HEMI MDS
VCT Engine

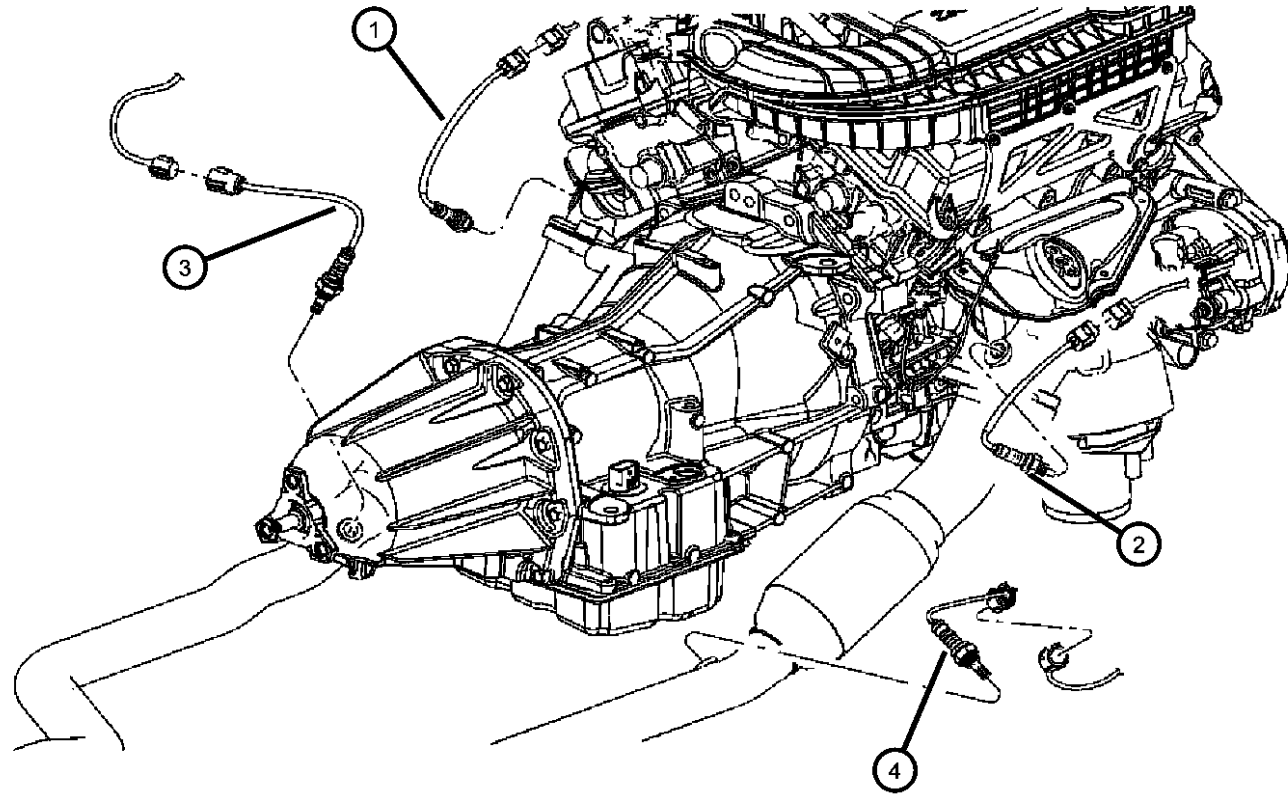
TRANSMISSION
DGJ = 5-Speed Auto W5A580
Transmission

AR = use ase required - = Non illustrated part

2011 LX

Sensors Oxygen Gas
Figure 8-615

ITEM	PART NUMBER	QTY	LINE	SERIES	BODY	ENGINE	TRANS	TRIM	DESCRIPTION
1	56029049AA	1	C, F, Z		48	EZH			SENSOR, Oxygen
	05149180AA	1	C, F, Z		48	ERB			
2	05149180AA	1	C, F, Z		48	ERB			SENSOR, Oxygen
	56029049AA	1	C, F, Z		48	EZH			
3	56029049AA	1	C, F, Z		48	EZH			SENSOR, Oxygen
	05149180AA	1	C, F, Z		48	ERB			
4	05149180AA	1	C, F, Z		48	ERB			SENSOR, Oxygen
	56029049AA	1	C, F, Z		48	EZH			



MAGNUM/300/CHARGER (LX)

SERIES LINE
H = HIGHLINE C = CHRYSLER
P = PREMIUM F = EAGLE
S = SPORT

BODY
48 = SEDAN TYPE #8

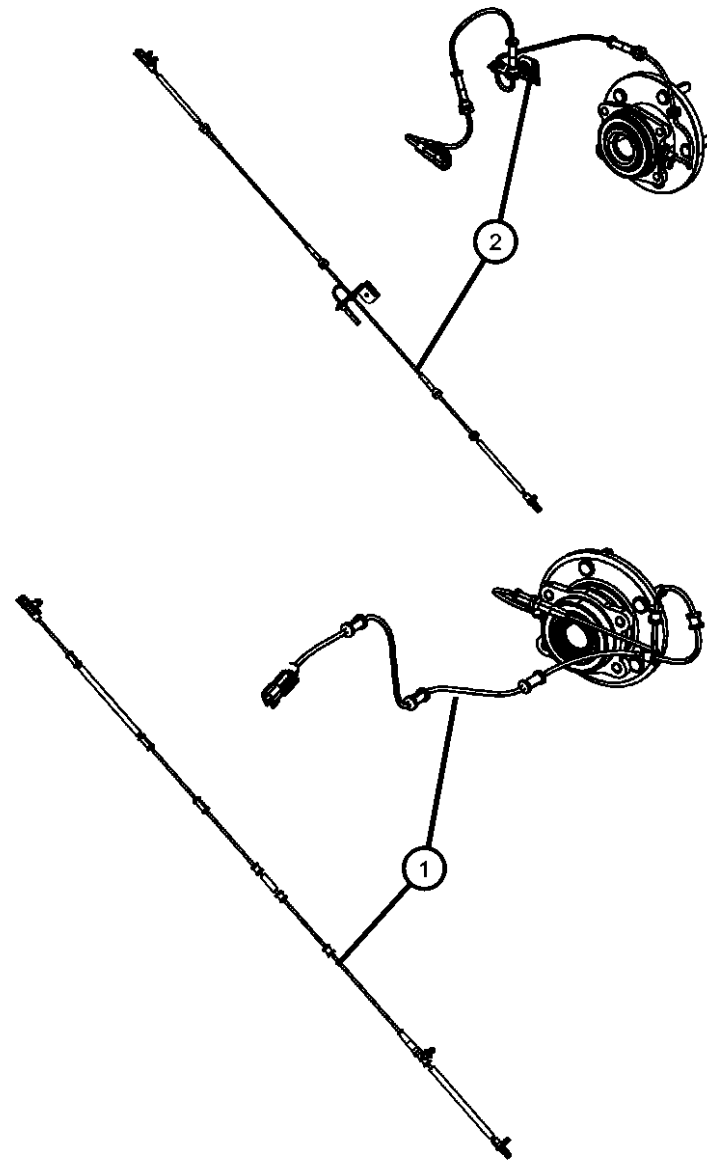
ENGINE
ERB = 3.XL Mid V6 Engine
EZH = 5.7L V8 HEMI MDS
VCT Engine

TRANSMISSION
DGJ = 5-Speed Auto W5A580
Transmission

AR = use ase required - = Non illustrated part

Sensors Brakes
Figure 8-625

ITEM	PART NUMBER	QTY	LINE	SERIES	BODY	ENGINE	TRANS	TRIM	DESCRIPTION
1	04779641AB	2	F		48				SENSOR, Anti-Lock Brakes Front
	04779639AB	2	C, Z		48				Front
2	04779642AA	1	C, Z		48				SENSOR, Anti-Lock Brakes Right Rear
	04779643AB	1	C, Z		48				Left Rear
	04779645AB	1	F		48				Left Rear
	04779644AA	1	F		48				Right Rear



MAGNUM/300/CHARGER (LX)

SERIES LINE
H = HIGHLINE C = CHRYSLER
P = PREMIUM F = EAGLE
S = SPORT

BODY
48 = SEDAN TYPE #8

ENGINE
ERB = 3.XL Mid V6 Engine
EZH = 5.7L V8 HEMI MDS
VCT Engine

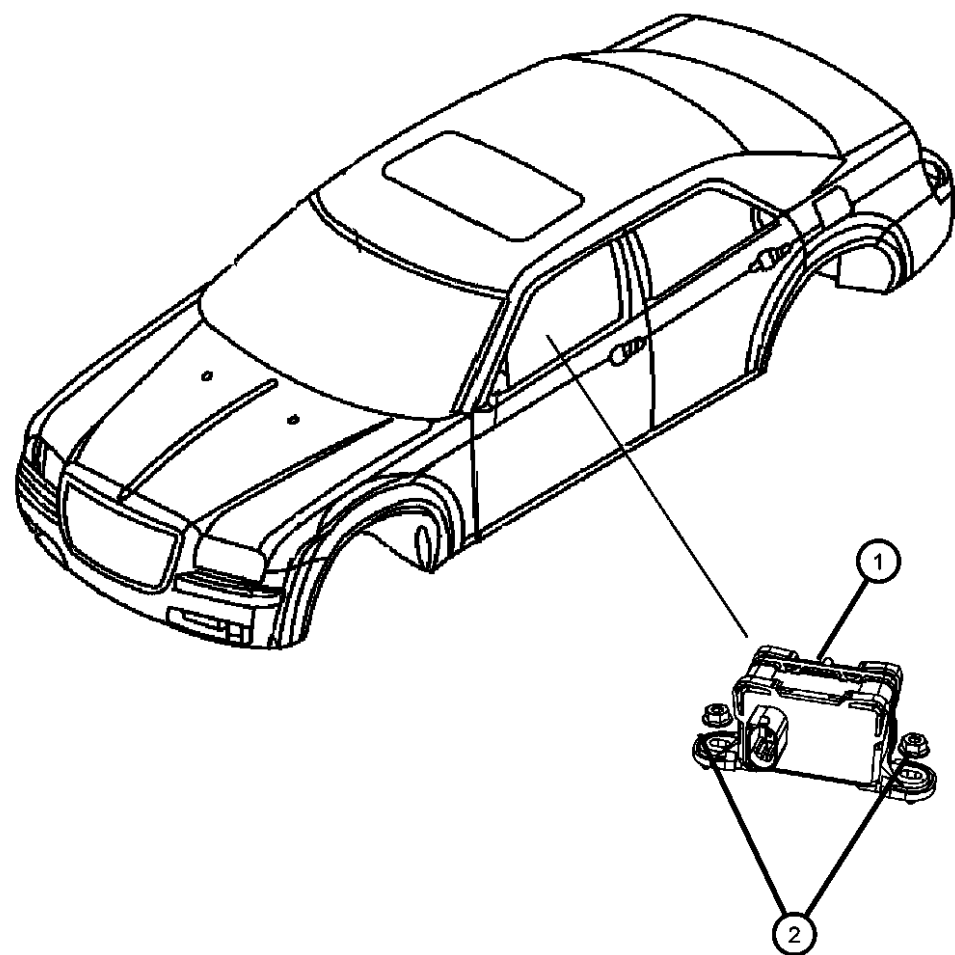
TRANSMISSION
DGJ = 5-Speed Auto W5A580
Transmission

AR = use ase required - = Non illustrated part

2011 LX

Sensors Suspension and Steering
Figure 8-630

ITEM	PART NUMBER	QTY	LINE	SERIES	BODY	ENGINE	TRANS	TRIM	DESCRIPTION
1	56029549AC	1	C, F, Z		48				SENSOR, Dynamics, Lateral Acceleration and YAW Rate, [BNB]
2	06101447	2	C, F, Z		48				NUT AND WASHER, M6x1.00



MAGNUM/300/CHARGER (LX)

SERIES LINE
H = HIGHLINE C = CHRYSLER
P = PREMIUM F = EAGLE
S = SPORT

BODY
48 = SEDAN TYPE #8

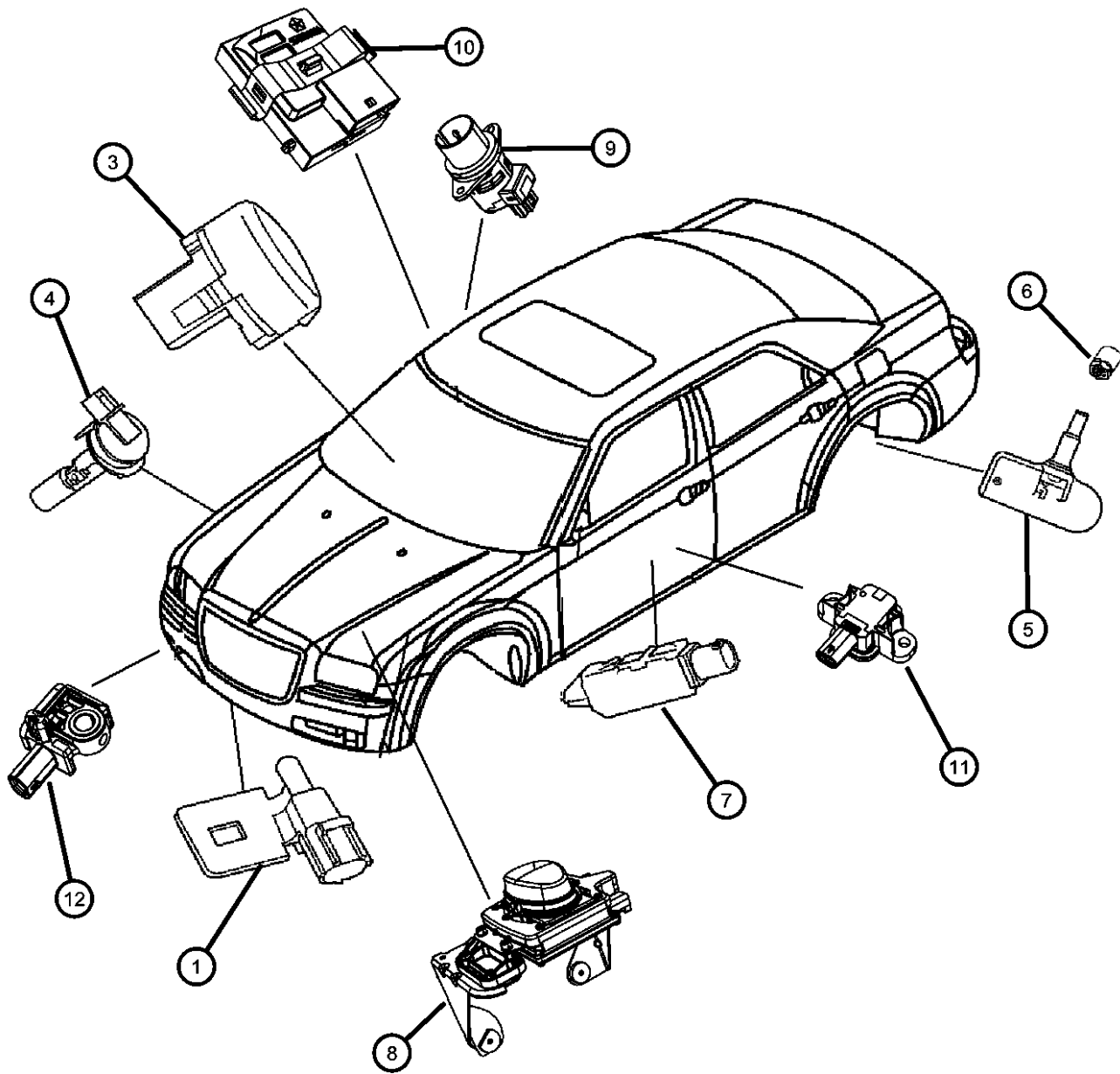
ENGINE
ERB = 3.XL Mid V6 Engine
EZH = 5.7L V8 HEMI MDS
VCT Engine

TRANSMISSION
DGJ = 5-Speed Auto W5A580
Transmission

AR = use ase required - = Non illustrated part

2011 LX

Sensors Body
Figure 8-635



ITEM	PART NUMBER	QTY	LINE	SERIES	BODY	ENGINE	TRANS	TRIM	DESCRIPTION
1	56042395	1	C, F		48				SENSOR, Ambient Temperature
-2	06501925	1	C, F		48				PIN, Push
3	55111275AA	1	C, F, Z		48				SENSOR, Sun
4	68125521AA	1	C, F, Z		48				SENSOR, Washer Fluid Level
5	56029398AB	4	C, F, Z		48				SENSOR, Tire Pressure
6	68058766AA	4	C, F, Z		48				HARDWARE KIT, Mounting
7	56054036AA	2	C, F		48				SENSOR, Seat Position
8	56054169AD	1	C, F, Z		48				SENSOR AND BRACKET, Adaptive Speed Control Module
9	55111178AC	1	C, F, Z		48				SENSOR, Temperature Cabin Air
10	55111389AB	1	C, F, Z		48				SENSOR, HUMIDITY
11	56054084AA	1	C, F, Z		48				SENSOR, Pressure, Side Airbag System
12									SENSOR, Acceleration
	56054085AA	2	C, F, Z		48				Front Impact Sensor
		4	C, F, Z		48				Side Impact Sensor

MAGNUM/300/CHARGER (LX)

SERIES LINE
H = HIGHLINE C = CHRYSLER
P = PREMIUM F = EAGLE
S = SPORT

BODY
48 = SEDAN TYPE #8

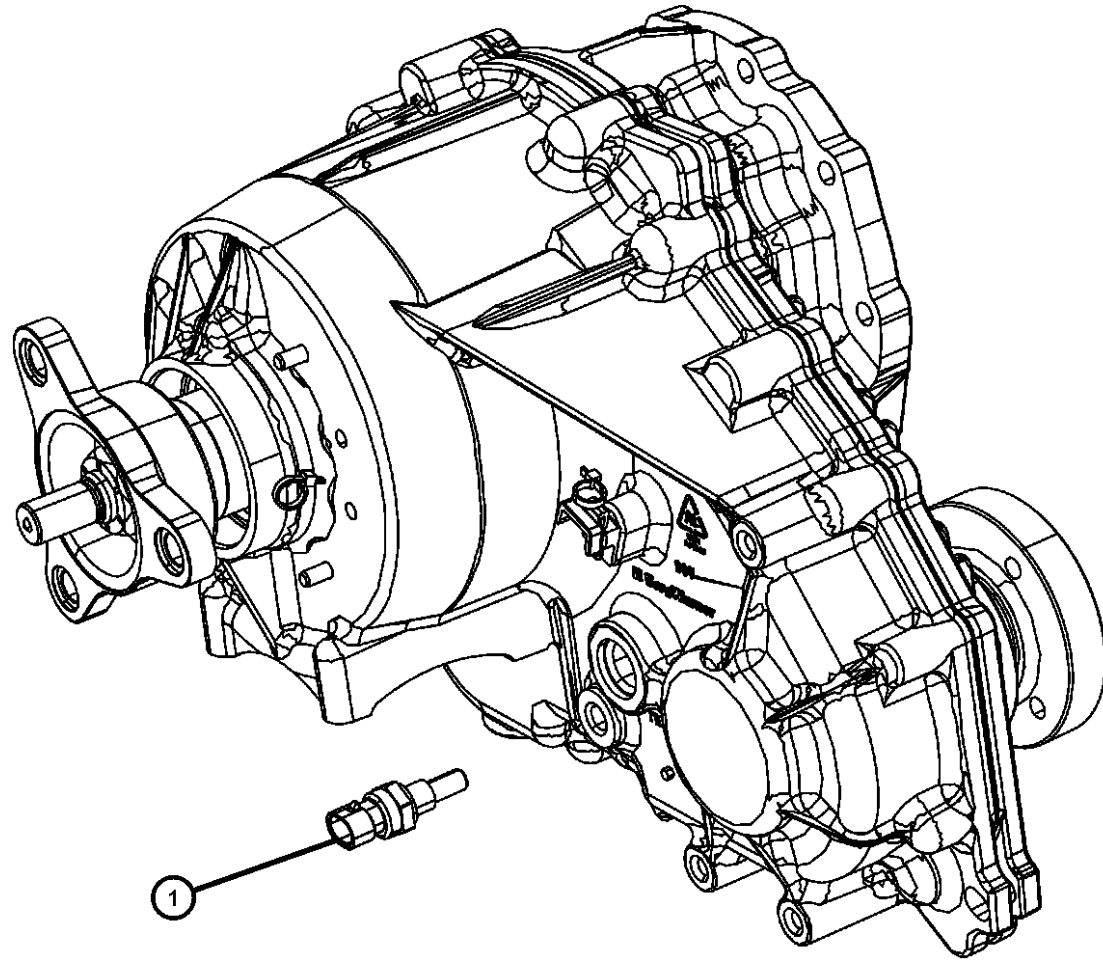
ENGINE
ERB = 3.XL Mid V6 Engine
EZH = 5.7L V8 HEMI MDS VCT Engine

TRANSMISSION
DGJ = 5-Speed Auto W5A580 Transmission

AR = use ase required - = Non illustrated part

Sensors Drivetrain
Figure 8-640

ITEM	PART NUMBER	QTY	LINE	SERIES	BODY	ENGINE	TRANS	TRIM	DESCRIPTION
1	68055357AA	1	F		48	EZH	DGJ		SENSOR, Temperature



MAGNUM/300/CHARGER (LX)

SERIES LINE
H = HIGHLINE C = CHRYSLER
P = PREMIUM F = EAGLE
S = SPORT

BODY
48 = SEDAN TYPE #8

ENGINE
ERB = 3.XL Mid V6 Engine
EZH = 5.7L V8 HEMI MDS
VCT Engine

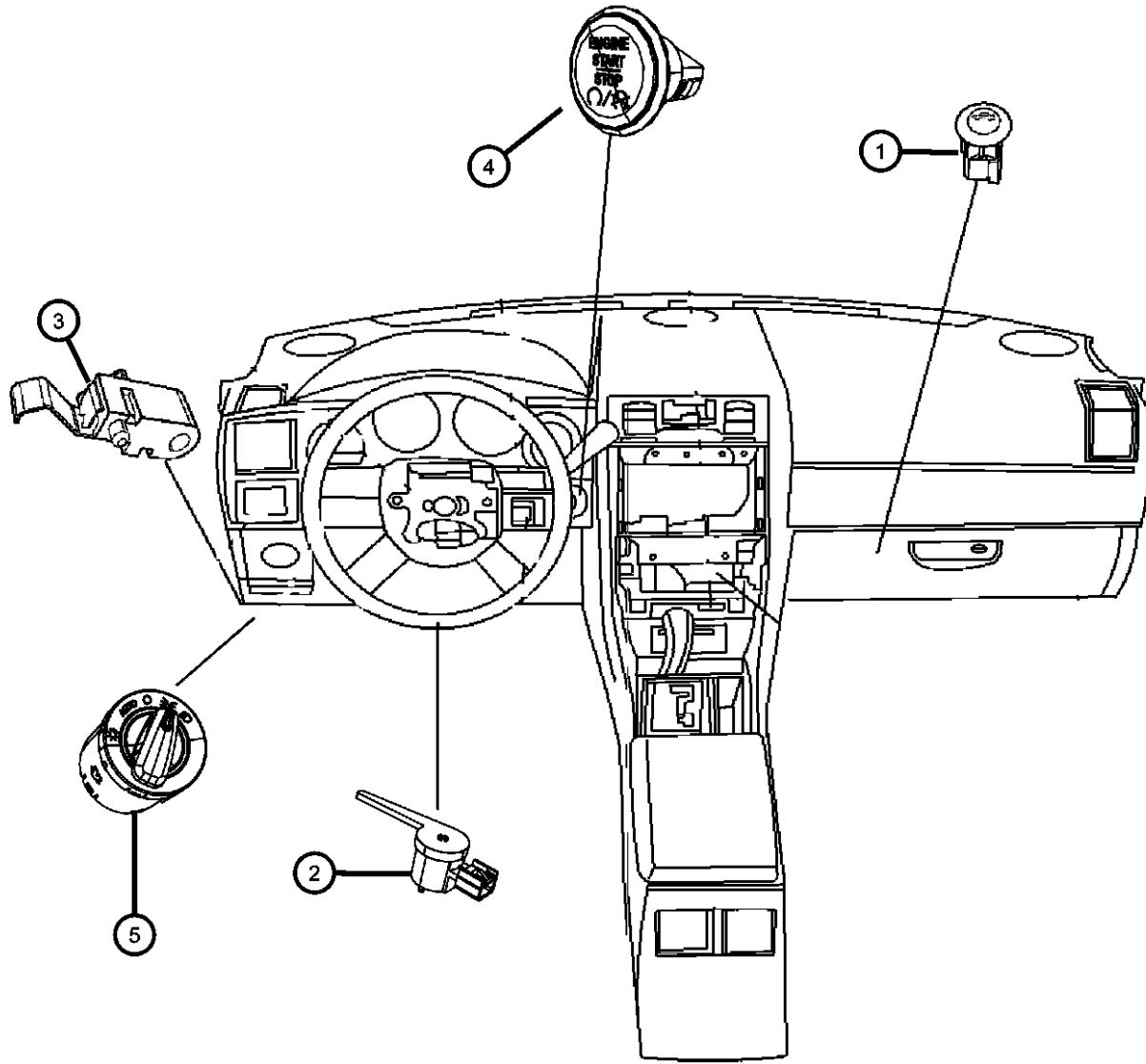
TRANSMISSION
DGJ = 5-Speed Auto W5A580
Transmission

AR = use ase required - = Non illustrated part

2011 LX

Switches Instrument Panel
Figure 8-805

ITEM	PART NUMBER	QTY	LINE	SERIES	BODY	ENGINE	TRANS	TRIM	DESCRIPTION
1	56046228AC	1	C, F, Z		48				SWITCH, Deck Lid Release
2	56038969AA	1	C, F, Z		48				SENSOR, Brake Pedal, Includes stop lamp switch
3	05189366AB	1	C, F		48				SWITCH, Parking Brake
4	1KW59DX9AC	1	C, F, Z		48				SWITCH, Ignition
5									SWITCH, Headlamp
	68041761AB	1	C, F, Z		48				[LMG], [LNJ], [LPG]
	04602890AB	1	C, F, Z		48				[LMG]
	56046258AB	1	C, F, Z		48				[LMG], [LNJ]



MAGNUM/300/CHARGER (LX)

SERIES LINE
H = HIGHLINE C = CHRYSLER
P = PREMIUM F = EAGLE
S = SPORT

BODY
48 = SEDAN TYPE #8

ENGINE
ERB = 3.XL Mid V6 Engine
EZH = 5.7L V8 HEMI MDS
VCT Engine

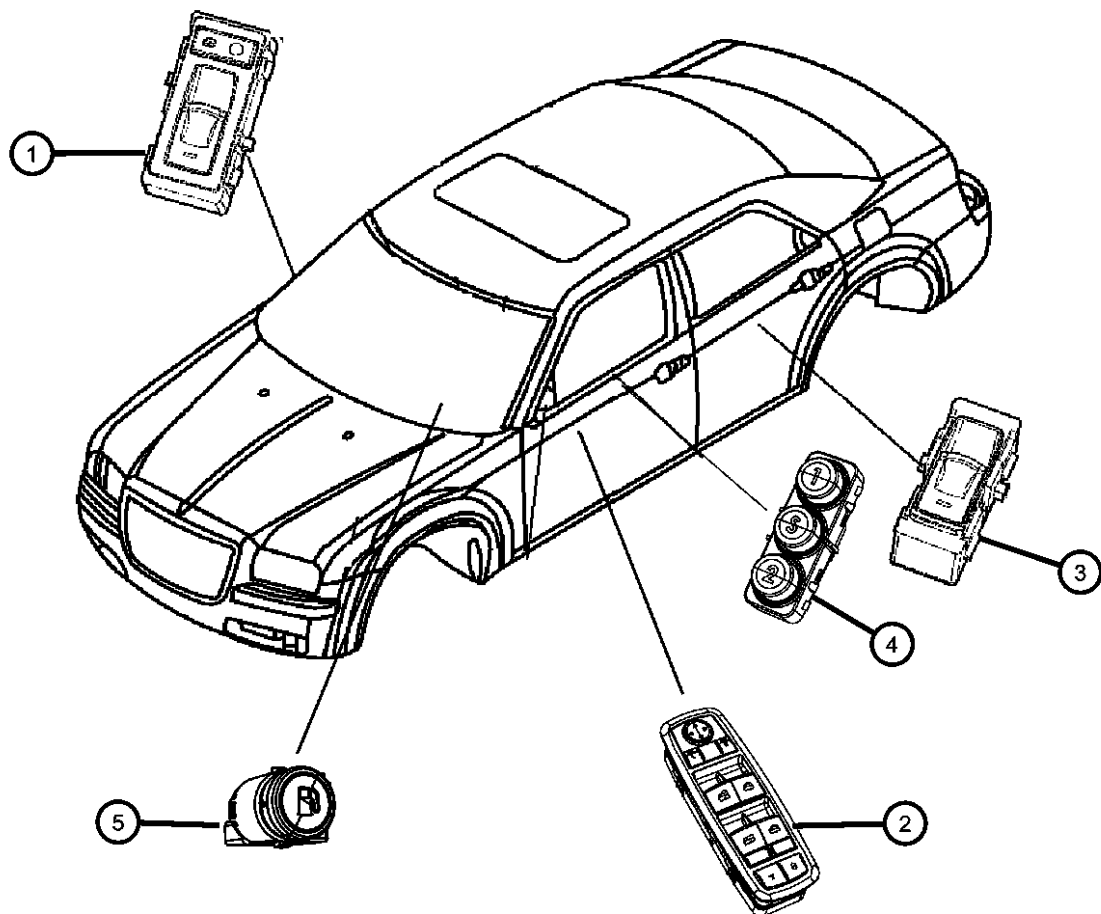
TRANSMISSION
DGJ = 5-Speed Auto W5A580
Transmission

AR = use ase required - = Non illustrated part

2011 LX

**Switches Doors, Decklid, and Liftgate
Figure 8-815**

ITEM	PART NUMBER	QTY	LINE	SERIES	BODY	ENGINE	TRANS	TRIM	DESCRIPTION
1	56046822AC	1	C, F		48				SWITCH AND BEZEL, Front Door
2	56046823AC	1	C, F		48				SWITCH AND BEZEL, Front Door
3									SWITCH, Power Window
	56046832AB	1	C, F, Z		48				Left Rear
		1	C, F, Z		48				Right Rear
4	68052036AB	1	C, F, Z		48				SWITCH, Memory Selector
5	56046229AB	1	C, F		48				SWITCH, Fuel Door



MAGNUM/300/CHARGER (LX)

SERIES LINE
H = HIGHLINE C = CHRYSLER
P = PREMIUM F = EAGLE
S = SPORT

BODY
48 = SEDAN TYPE #8

ENGINE
ERB = 3.XL Mid V6 Engine
EZH = 5.7L V8 HEMI MDS
VCT Engine

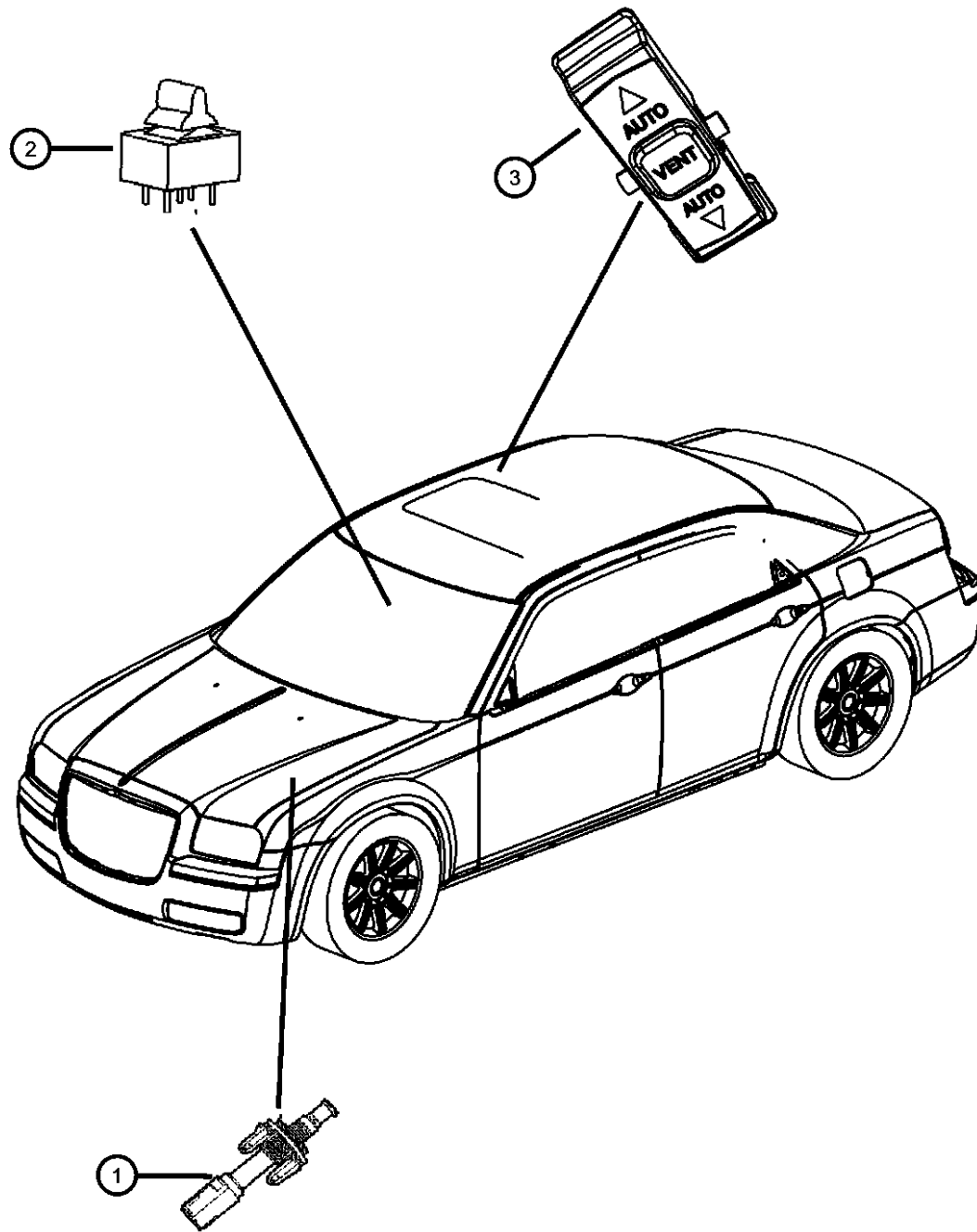
TRANSMISSION
DGJ = 5-Speed Auto W5A580
Transmission

AR = use ase required - = Non illustrated part

2011 LX

Switches Body
Figure 8-820

ITEM	PART NUMBER	QTY	LINE	SERIES	BODY	ENGINE	TRANS	TRIM	DESCRIPTION
1	04589687AA	1	C, F, Z		48				SWITCH, Underhood, Not serviced separately, must order hood latch
2	56042387	1	C, F		48				SWITCH, Adjustable Pedals
3		1							SWITCH, Sunroof, Serviced in Overhead Console Module only, (NOT SERVICED)



MAGNUM/300/CHARGER (LX)

SERIES LINE
H = HIGHLINE C = CHRYSLER
P = PREMIUM F = EAGLE
S = SPORT

BODY
48 = SEDAN TYPE #8

ENGINE
ERB = 3.XL Mid V6 Engine
EZH = 5.7L V8 HEMI MDS
VCT Engine

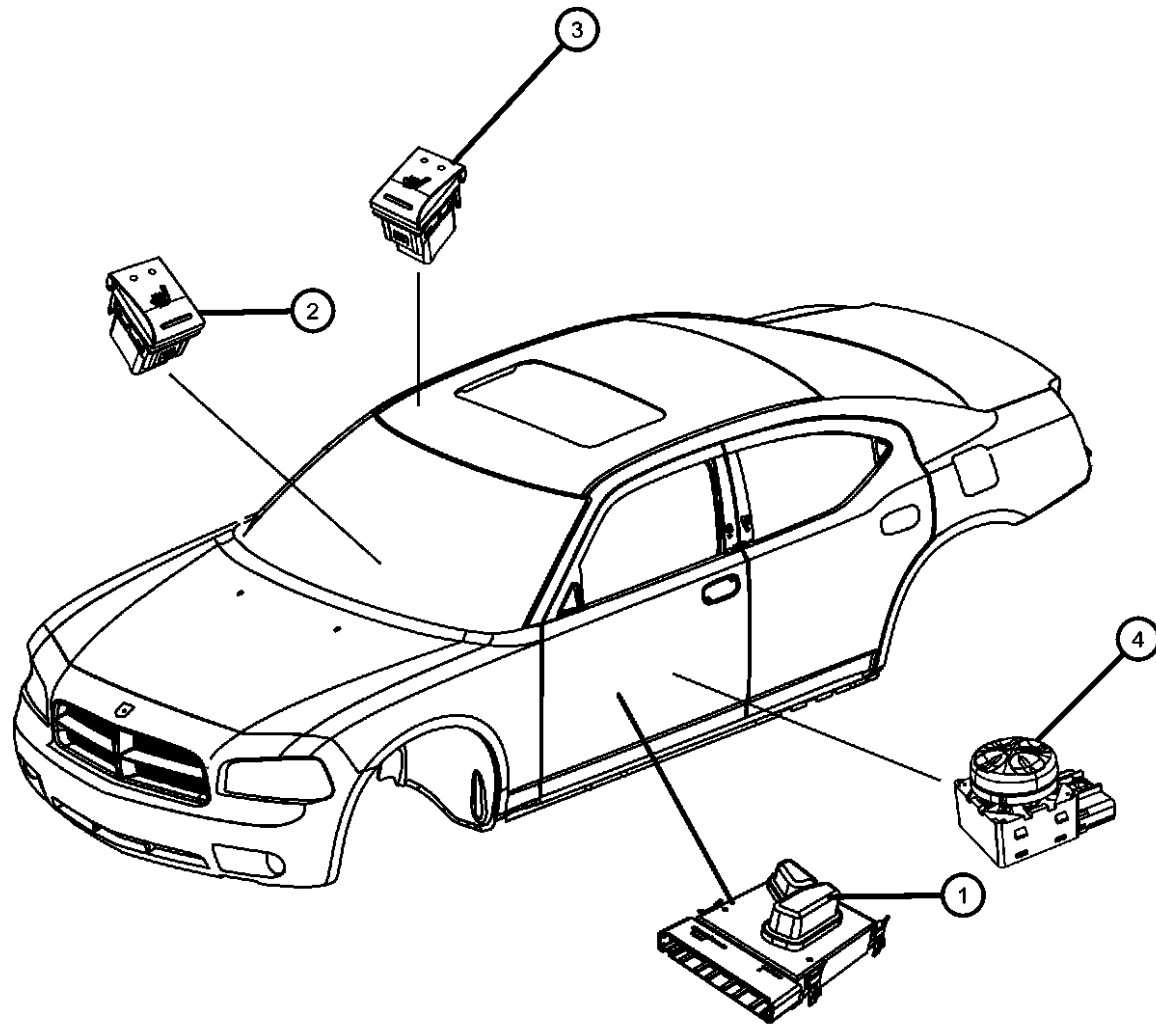
TRANSMISSION
DGJ = 5-Speed Auto W5A580
Transmission

AR = use ase required - = Non illustrated part

2011 LX

**Switches Seats
Figure 8-825**

ITEM	PART NUMBER	QTY	LINE	SERIES	BODY	ENGINE	TRANS	TRIM	DESCRIPTION
1	56049433AE	1	C, D, E, F		48				SWITCH, Power Seat 8 Way High Current Driver
	56049431AD	1	C, F		48				8 Way Low Current Driver
	56049432AD	1	C, F		48				8 Way High Current Passenger
2	68059874AA	1	C, F, Z		48				SWITCH, Heated Seat Up To 01/17/11
	68059874AB	1	C, F, Z		48				After 01/17/11
3	68059873AB	1	C, F, Z		48				SWITCH, Heated Seat After 01/17/11
	68059873AA	1	C, F, Z		48				Up To 01/17/11
4	56046232AA	2	C, F		48				SWITCH, Lumbar Control, 4 Way Lumbar



MAGNUM/300/CHARGER (LX)

SERIES LINE
H = HIGHLINE C = CHRYSLER
P = PREMIUM F = EAGLE
S = SPORT

BODY
48 = SEDAN TYPE #8

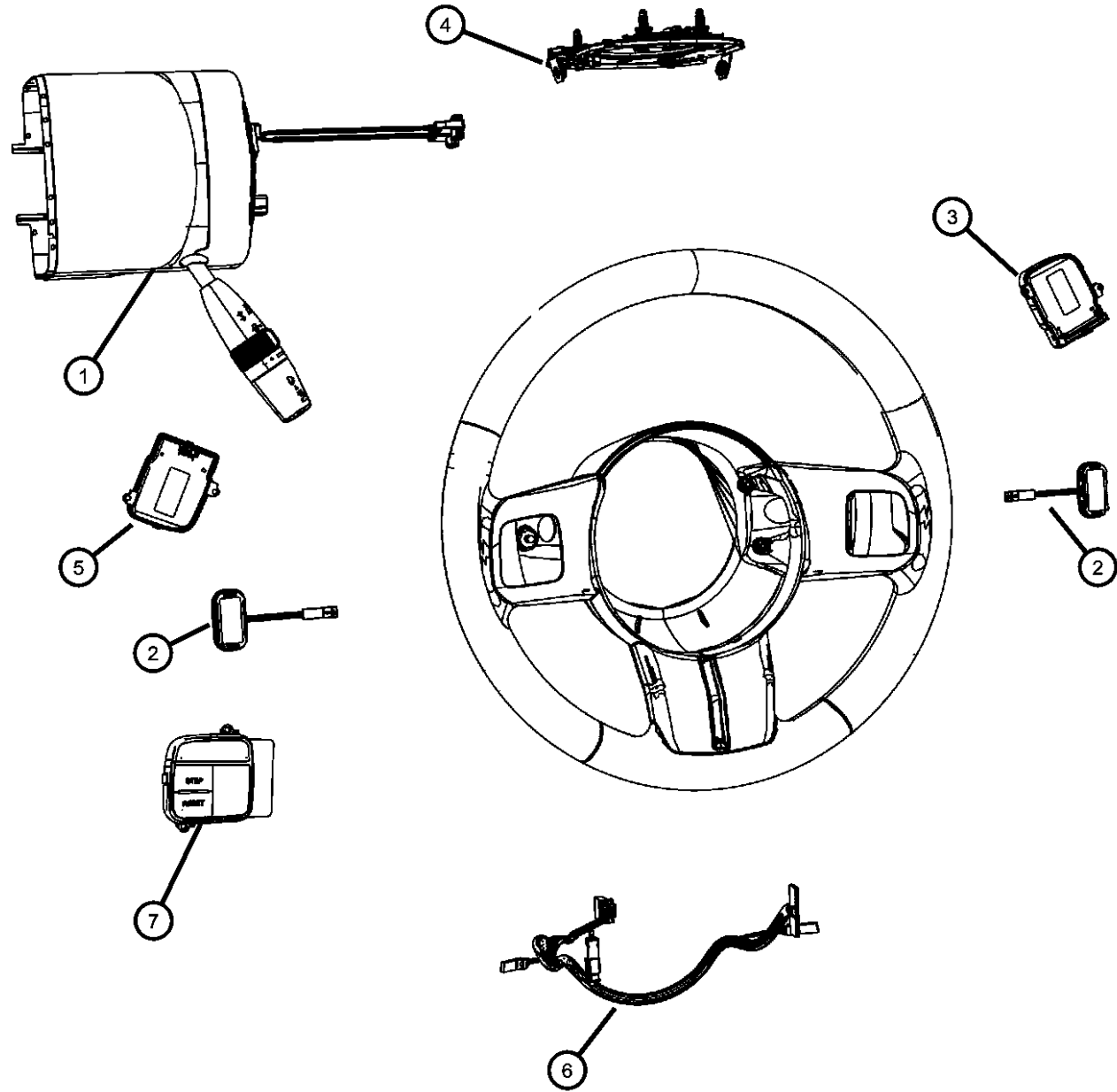
ENGINE
ERB = 3.XL Mid V6 Engine
EZH = 5.7L V8 HEMI MDS
VCT Engine

TRANSMISSION
DGJ = 5-Speed Auto W5A580
Transmission

AR = use ase required - = Non illustrated part

2011 LX

Switches Steering Wheel and Column
Figure 8-830



ITEM	PART NUMBER	QTY	LINE	SERIES	BODY	ENGINE	TRANS	TRIM	DESCRIPTION
1	1JH93DX9AE	1	C, F, Z		48				MODULE, Steering Column [SUD]
	1JH94DX9AD	1	C, F, Z		48				[XL], [X9], [SUB]
	1JH95HL9AD	1	C, F, Z		48				[L9], [SUB], [NHS]
	1JH94HL9AD	1	C, F, Z		48				[L9], [SUB]
	1JH95DX9AD	1	C, F, Z		48				[XL], [X9], [SUB], [NHS]
2	56046099AD	1	C, F, Z		48				SWITCH, Radio Control Left
	56046098AD	1	C, F, Z		48				Right
3	56046095AA	1	C, F		48				SWITCH, Speed Control [NHP], [NHS]
	56046252AC	1	C, F, Z		48				[NHM]
	56046254AC	1	C, F, Z		48				[NHP]
4	05057811AF	1	C, F, Z		48				SWITCH, Horn
5	56046255AC	1	C, F, Z		48				SWITCH, EVIC, STEERING WHEEL [SCW]
		1	C, F, Z		48				[SCV], [NHP], [RSP]
		1	C, F, Z		48				[SCV], [NHM], [RSP]
	56046417AA	1	C, F, Z		48				[SCV]
6		1							WIRING, Steering Wheel, serviced in steering wheel, (NOT SERVICED),
7	56046253AB	1	C, F, Z		48				SWITCH, Odometer

MAGNUM/300/CHARGER (LX)

SERIES LINE
H = HIGHLINE C = CHRYSLER
P = PREMIUM F = EAGLE
S = SPORT

BODY
48 = SEDAN TYPE #8

ENGINE
ERB = 3.XL Mid V6 Engine
EZH = 5.7L V8 HEMI MDS
VCT Engine

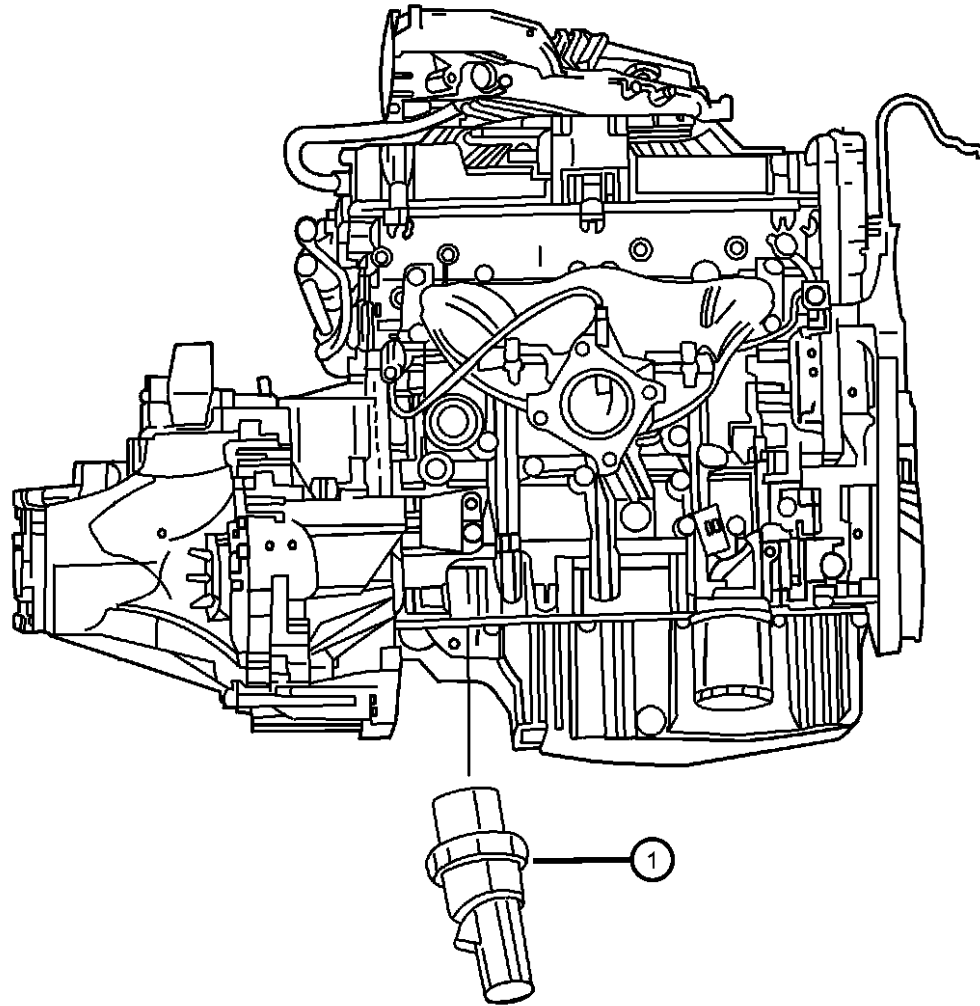
TRANSMISSION
DGJ = 5-Speed Auto W5A580
Transmission

AR = use ase required - = Non illustrated part

2011 LX

**Switches Powertrain
Figure 8-835**

ITEM	PART NUMBER	QTY	LINE	SERIES	BODY	ENGINE	TRANS	TRIM	DESCRIPTION
1	05149062AA	1	C, F, Z		48	ERB			SENDING UNIT, Oil Pressure To Oil Filter Adapter
		1	C, F, Z		48	EZH			To Engine Block



MAGNUM/300/CHARGER (LX)

SERIES LINE
H = HIGHLINE C = CHRYSLER
P = PREMIUM F = EAGLE
S = SPORT

BODY
48 = SEDAN TYPE #8

ENGINE
ERB = 3.XL Mid V6 Engine
EZH = 5.7L V8 HEMI MDS
VCT Engine

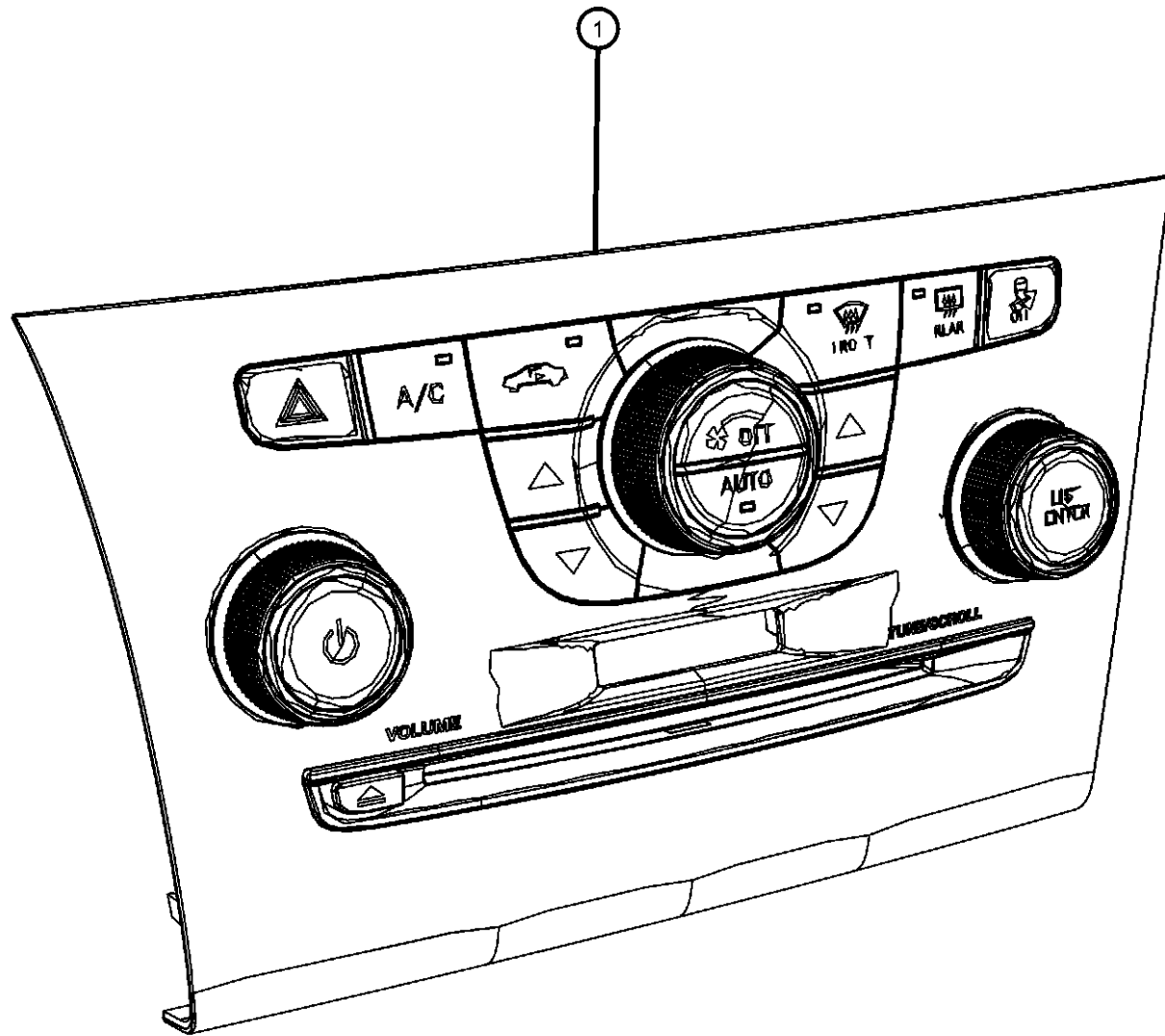
TRANSMISSION
DGJ = 5-Speed Auto W5A580
Transmission

AR = use ase required - = Non illustrated part

2011 LX

**Switches Heating and Air Conditioning
Figure 8-840**

ITEM	PART NUMBER	QTY	LINE	SERIES	BODY	ENGINE	TRANS	TRIM	DESCRIPTION
1									CENTER STACK, Lower
	1QH13AAAAC	1	C, F, Z		48				[XSJ]
	1UA83AAAAC	1	C, F, Z		48				[XSN]
	1QH14AAAAC	1	C, F, Z		48				[XSR]
	1TD12AAAAC	1	C, F, Z		48				[XSM]



MAGNUM/300/CHARGER (LX)

SERIES LINE
H = HIGHLINE C = CHRYSLER
P = PREMIUM F = EAGLE
S = SPORT

BODY
48 = SEDAN TYPE #8

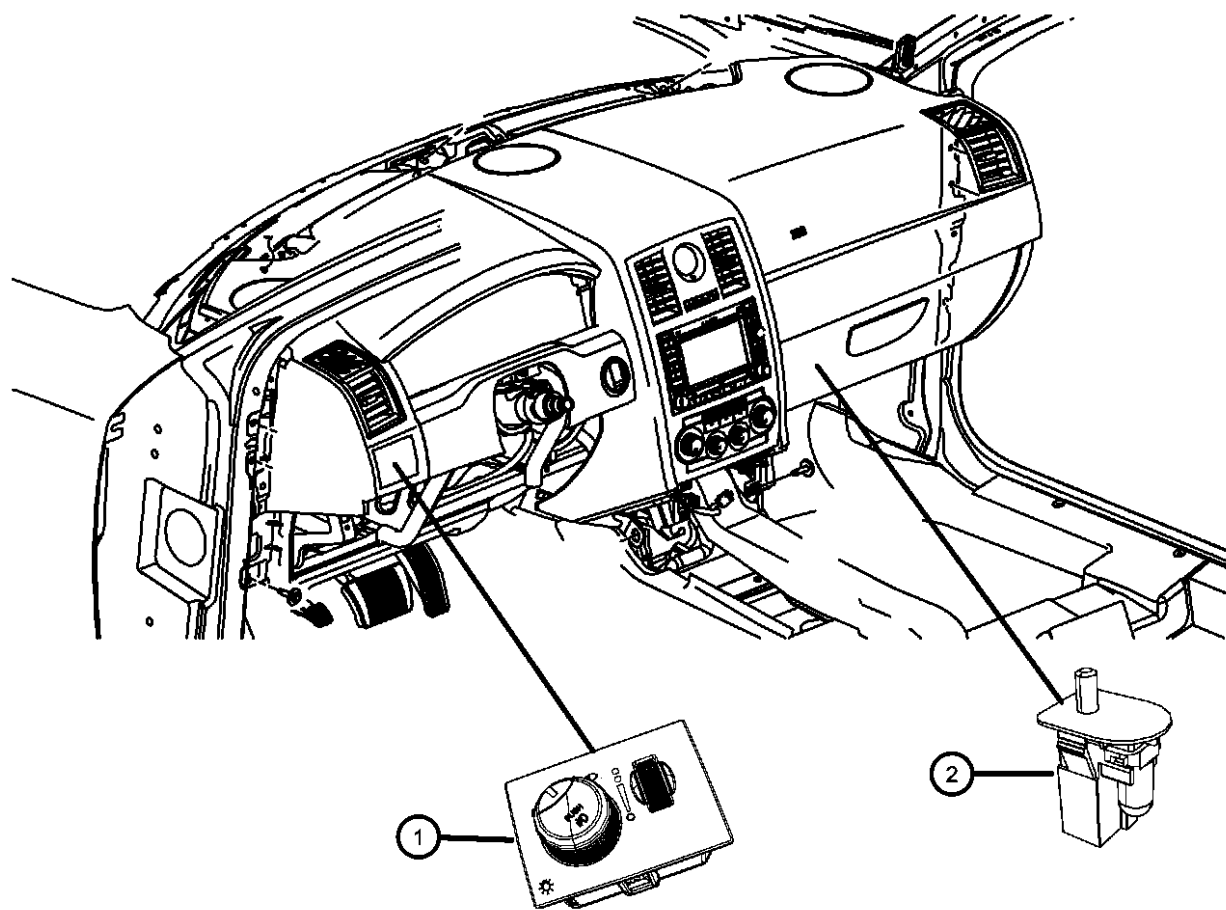
ENGINE
ERB = 3.0L Mid V6 Engine
EZH = 5.7L V8 HEMI MDS
VCT Engine

TRANSMISSION
DGJ = 5-Speed Auto W5A580
Transmission

AR = use ase required - = Non illustrated part

Switches Lighting
Figure 8-845

ITEM	PART NUMBER	QTY	LINE	SERIES	BODY	ENGINE	TRANS	TRIM	DESCRIPTION
1									SWITCH, Headlamp
	04602890AB	1	C, F, Z		48				[LMG]
	56046258AB	1	C, F, Z		48				[LNJ], [LMG]
	68041761AB	1	C, F, Z		48				[LNJ], [LMG], [LPG]
	68019567AC	1	C, F		48				
	68019678AC	1	C, F		48				[LNJ]
2	04565022	1	C, F, Z		48				SWITCH AND LAMP, Glove Box



MAGNUM/300/CHARGER (LX)

SERIES LINE
H = HIGHLINE C = CHRYSLER
P = PREMIUM F = EAGLE
S = SPORT

BODY
48 = SEDAN TYPE #8

ENGINE
ERB = 3.XL Mid V6 Engine
EZH = 5.7L V8 HEMI MDS
VCT Engine

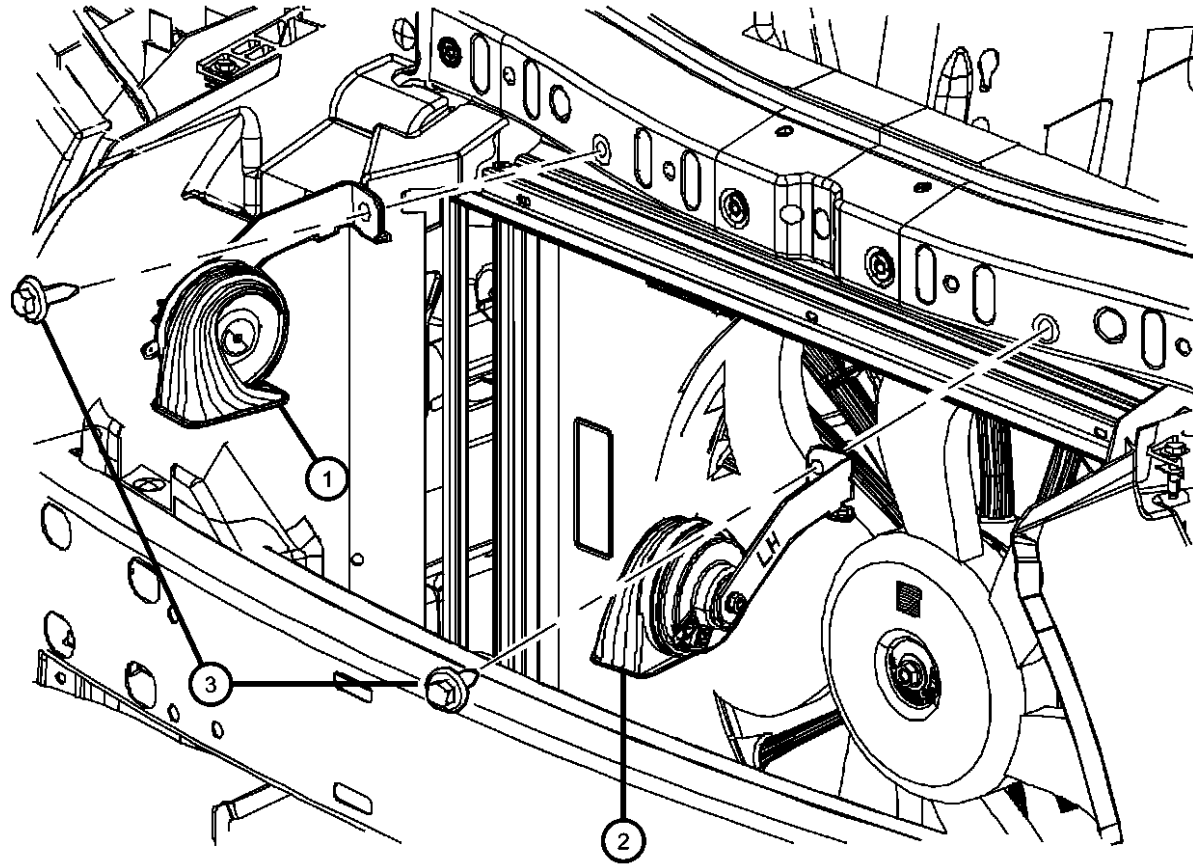
TRANSMISSION
DGJ = 5-Speed Auto W5A580
Transmission

AR = use ase required - = Non illustrated part

2011 LX

Horns
Figure 8-905

ITEM	PART NUMBER	QTY	LINE	SERIES	BODY	ENGINE	TRANS	TRIM	DESCRIPTION
1	56046501AB	1	C, F, Z		48				HORN AND BRACKET, High Note
2	56046499AB	1	C, F, Z		48				HORN AND BRACKET, Low Note
3	06505903AA	2	C, F		48				SCREW AND WASHER, Self Tapping, M6x1x22



MAGNUM/300/CHARGER (LX)

SERIES LINE
H = HIGHLINE C = CHRYSLER
P = PREMIUM F = EAGLE
S = SPORT

BODY
48 = SEDAN TYPE #8

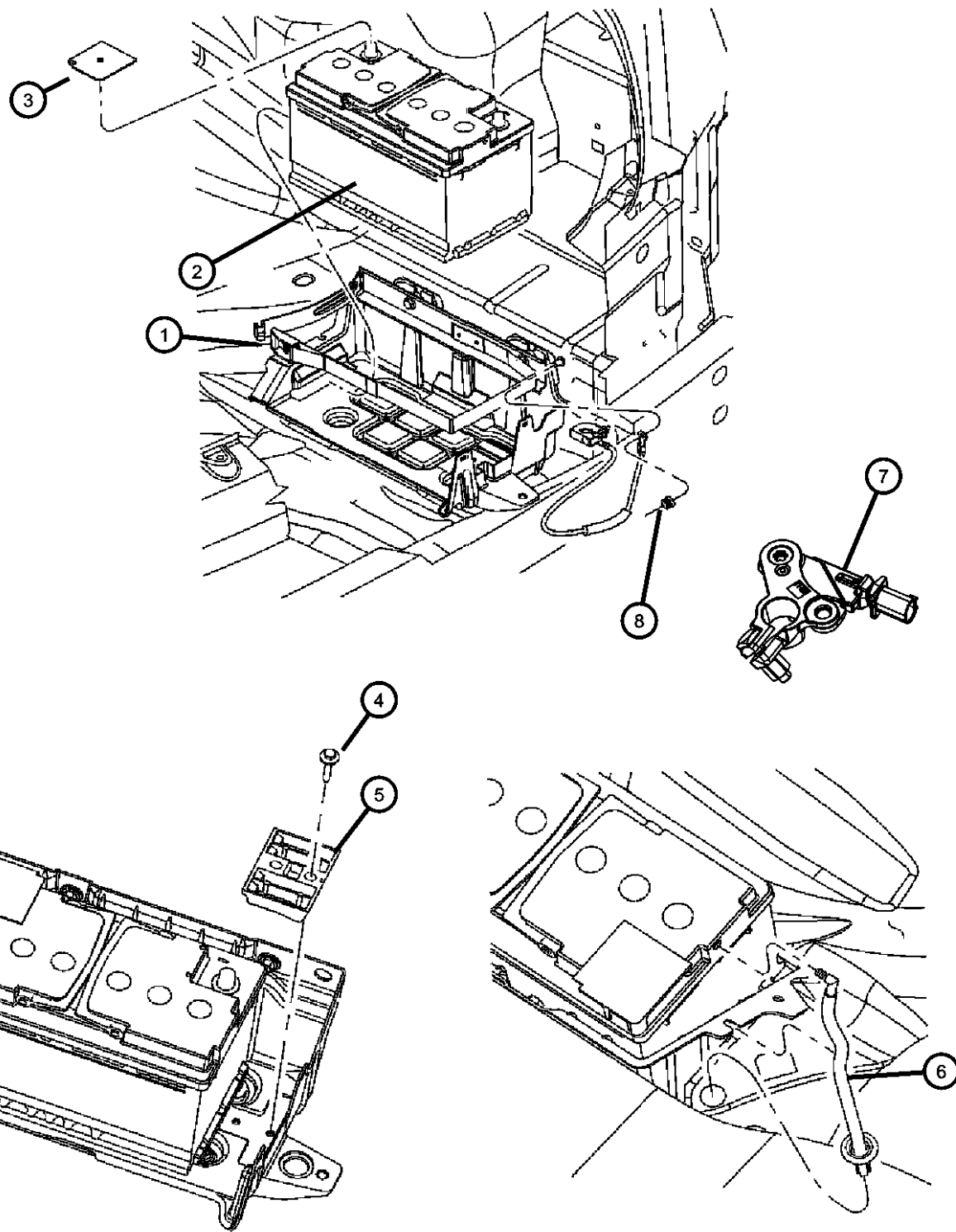
ENGINE
ERB = 3.XL Mid V6 Engine
EZH = 5.7L V8 HEMI MDS
VCT Engine

TRANSMISSION
DGJ = 5-Speed Auto W5A580
Transmission

AR = use ase required - = Non illustrated part

Battery Tray and Support
Figure 8-1005

ITEM	PART NUMBER	QTY	LINE	SERIES	BODY	ENGINE	TRANS	TRIM	DESCRIPTION
1	05065355AK	1	C, F		48				TRAY, Battery
2	BE0H7700AA	1	C, F, Z		48				BATTERY, Storage 700 CCA
	VE0H7700AA	1	C, F, Z		48				Export
	04608719AE	1	C, F, Z		48				
3	04606858AA	1							COVER, Battery Terminal
4	06508065AA	1	C, F, Z		48				BOLT AND CONED WASHER, Hex Head, M6X1.00X23.00
5	04780789AC	1	C, F, Z		48				BRACKET, Battery
6	04608914AA	1	C, F, Z		48				HOSE, Battery Vent
7	04692269AE	1	C, F, Z		48				SENSOR, Battery
8	06509616AA	1	C, F, Z		48				NUT, M6x1.00



MAGNUM/300/CHARGER (LX)

SERIES LINE
H = HIGHLINE C = CHRYSLER
P = PREMIUM F = EAGLE
S = SPORT

BODY
48 = SEDAN TYPE #8

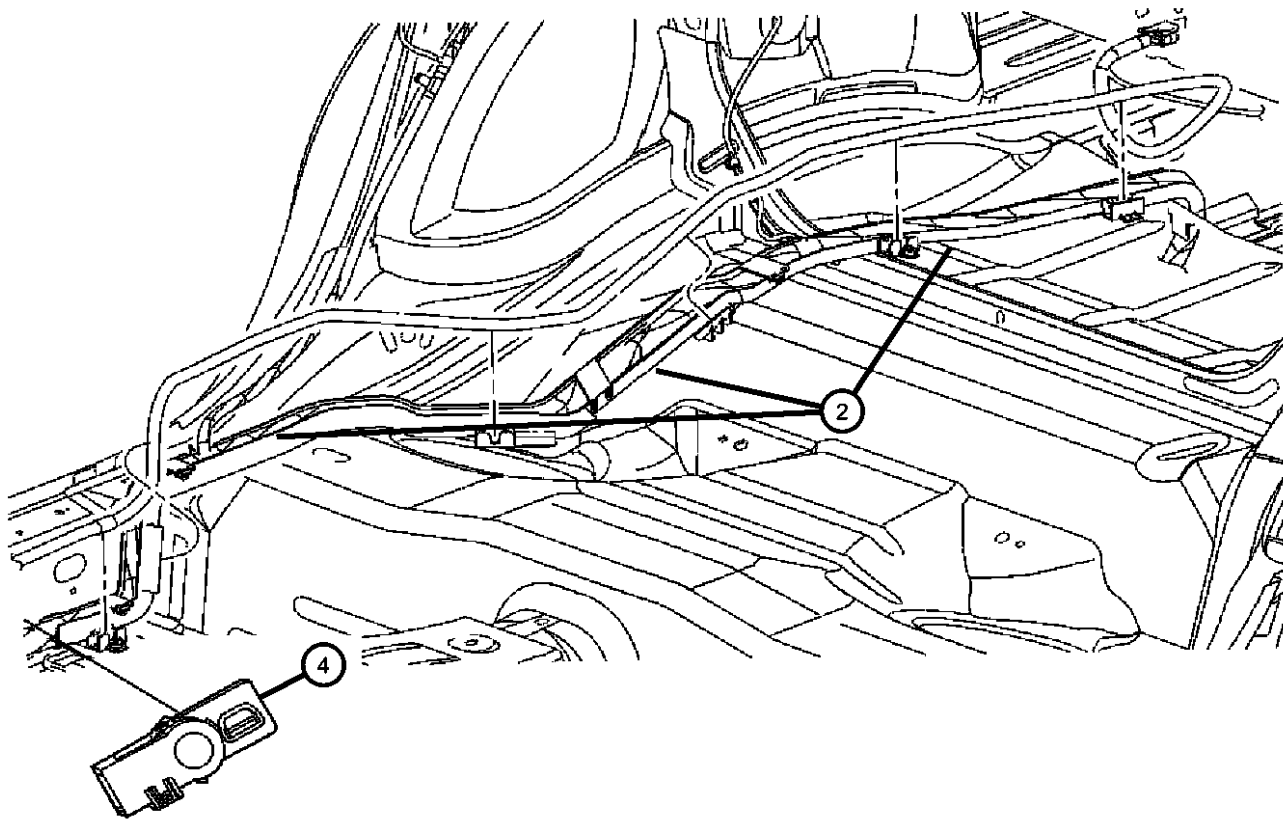
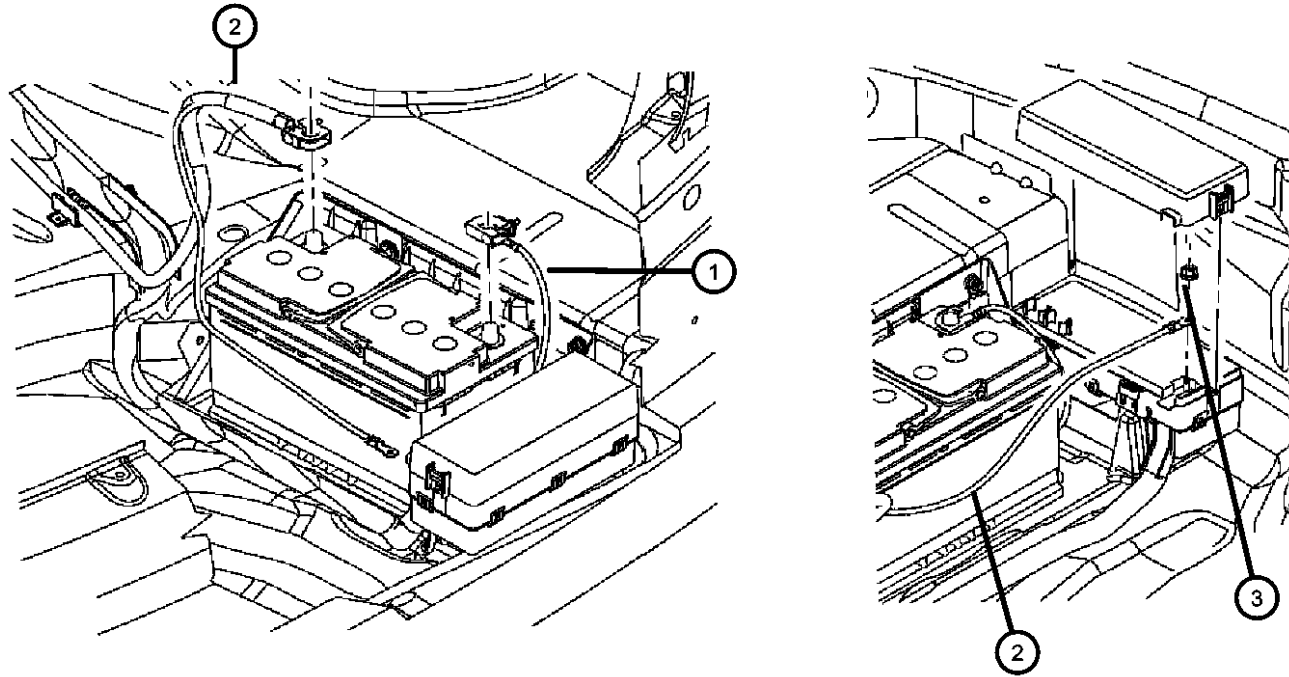
ENGINE
ERB = 3.XL Mid V6 Engine
EZH = 5.7L V8 HEMI MDS
VCT Engine

TRANSMISSION
DGJ = 5-Speed Auto W5A580
Transmission

AR = use ase required - = Non illustrated part

2011 LX

**Battery Wiring
Figure 8-1010**



ITEM	PART NUMBER	QTY	LINE	SERIES	BODY	ENGINE	TRANS	TRIM	DESCRIPTION
1	68066100AC	1	C, F, Z		48	ERB, EZH			WIRING, Battery Negative
2	68066102AB	1	C, F, Z		48	ERB, EZH			WIRING, Battery Positive
3	06101802	1	C, F, Z		48				NUT AND WASHER, Hex, M6X1.00
4	05059113AC	1	C, F, Z		48				ISOLATOR, Battery Positive
-5	06506929AA	1	C, F, Z		48				NUT, Hex Flange Lock, M8x1.25, Negative Cable to the IBS

MAGNUM/300/CHARGER (LX)

SERIES LINE
H = HIGHLINE C = CHRYSLER
P = PREMIUM F = EAGLE
S = SPORT

BODY
48 = SEDAN TYPE #8

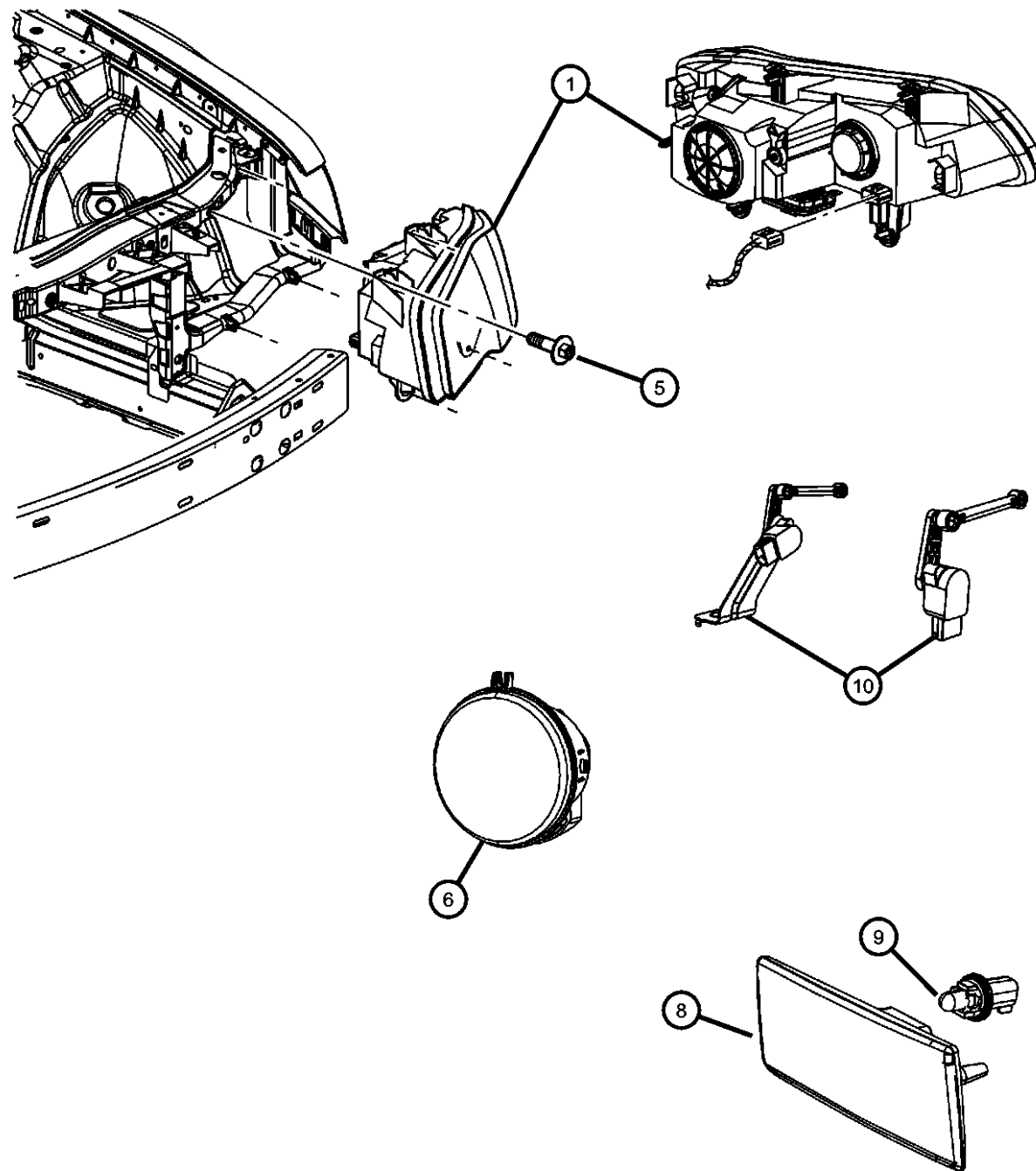
ENGINE
ERB = 3.XL Mid V6 Engine
EZH = 5.7L V8 HEMI MDS VCT Engine

TRANSMISSION
DGJ = 5-Speed Auto W5A580 Transmission

AR = use ase required - = Non illustrated part

2011 LX

Lamps Front
Figure 8-1105



ITEM	PART NUMBER	QTY	LINE	SERIES	BODY	ENGINE	TRANS	TRIM	DESCRIPTION
1									HEADLAMP
	05182334AC	1	C, F, Z		48				Right [LMQ]
	05182335AC	1	C, F, Z		48				Left [LMQ]
	68042150AC	1	C, F, Z		48				Right [LMC]
	68042151AC	1	C, F, Z		48				Left [LMC]
-2	L0000D3S	1	C, F, Z		48				BULB, Headlamp, D3S, [LMQ]
-3	L0009012LL	1	C, F, Z		48				BULB, 9012LL
-4	L0PSY24WSV	1	C, F, Z		48				BULB, PSY24W SV+, [LMC], [LMQ]
5	06509758AA	8	C, F, Z		48				SCREW, Headlamp Mounting
6	05182021AA	2	C, F, Z		48				LAMP, Front Fog
-7	04806226AA	8	C, F, Z		48				CLIP, Spring
8									LAMP, Side Marker
	04805860AA	1	C, F, Z		48				Right
	04805861AA	1	C, F, Z		48				Left
9	L002825W5W	2	C, F, Z		48				BULB, W5W
10									SENSOR, Headlamp
	57010713AA	1	C, F, Z		48				Front Leveling
	57010714AA	1	C, F, Z		48				Rear Leveling

MAGNUM/300/CHARGER (LX)

SERIES LINE
H = HIGHLINE C = CHRYSLER
P = PREMIUM F = EAGLE
S = SPORT

BODY
48 = SEDAN TYPE #8

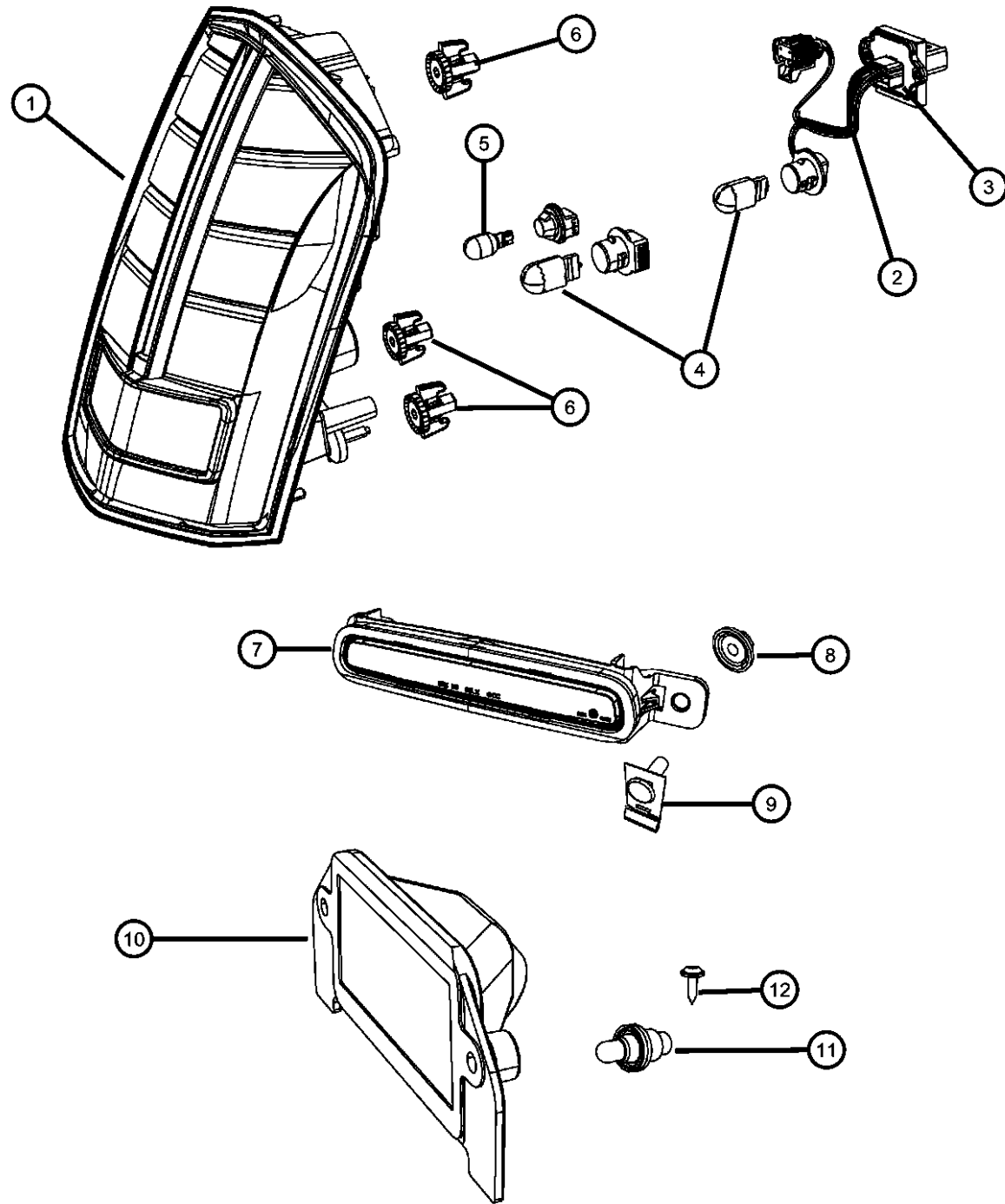
ENGINE
ERB = 3.XL Mid V6 Engine
EZH = 5.7L V8 HEMI MDS
VCT Engine

TRANSMISSION
DGJ = 5-Speed Auto W5A580
Transmission

AR = use ase required - = Non illustrated part

2011 LX

Lamps Rear
Figure 8-1110



ITEM	PART NUMBER	QTY	LINE	SERIES	BODY	ENGINE	TRANS	TRIM	DESCRIPTION
1	05182300AA	1	C, F, Z	S	48				LAMP, Tail Stop Turn Right
	68042170AA	1	C, F, Z	H, P	48				Right
	68042172AA	1	C, F, Z	S, X	48				Right
	68042173AA	1	C, F, Z	S, X	48				Left
	68043136AA	1	C, F, Z	H, L, P, T	48				Right
	68042171AA	1	C, F, Z	H, P	48				Left
	68043137AA	1	C, F, Z	H, L, P, T	48				Left
	05182301AA	1	C, F, Z	S	48				Left
2	68127937AA	1	C, F, Z	S	48				WIRING, Taillamp [LPG]
	68127935AA	1	C, F, Z	H, P	48				[LPG]
		1	C, F, Z	H, L, P, T	48				[LPG]
		1	C, F, Z	S, X	48				[LPG]
3	68127936AA	1	C, F, Z	S, X	48				GASKET, Tail Lamp
		1	C, F, Z	H, L, P, T	48				
4	L0007440	1	C, F, Z	S, X	48				BULB, 7440/W21W
		1	C, F, Z	H, L, P, T	48				
5	L000921E	1	C, F, Z	S	48				BULB, 921
	P000921STS								SilverStar
		1	C, F, Z	H, L, P, T	48				
	P000921STS								SilverStar
6	06507357AA	6	C, F, Z		48				NUT, Wing, M6x1
7	57010606AC	1	C, F, Z		48				LAMP, Center High Mounted Stop [LPN] With Back Up Camera
	68042177AC	1	C, F, Z		48				[LPA]
8	06104725AA	2	C, F, Z		48				NUT AND WASHER, Hex, M6X1.00
9	06508599AA	2	C, F, Z		48				BOLT AND RETAINER
10	04805846AA	2	C, F, Z		48				LAMP, License Plate
11	L002825W5W	2	C, F, Z		48				BULB, W5W
12	06035204	4	C, F, Z		48				SCREW, Tapping, .19-16x.75

MAGNUM/300/CHARGER (LX)

SERIES LINE
H = HIGHLINE C = CHRYSLER
P = PREMIUM F = EAGLE
S = SPORT

BODY
48 = SEDAN TYPE #8

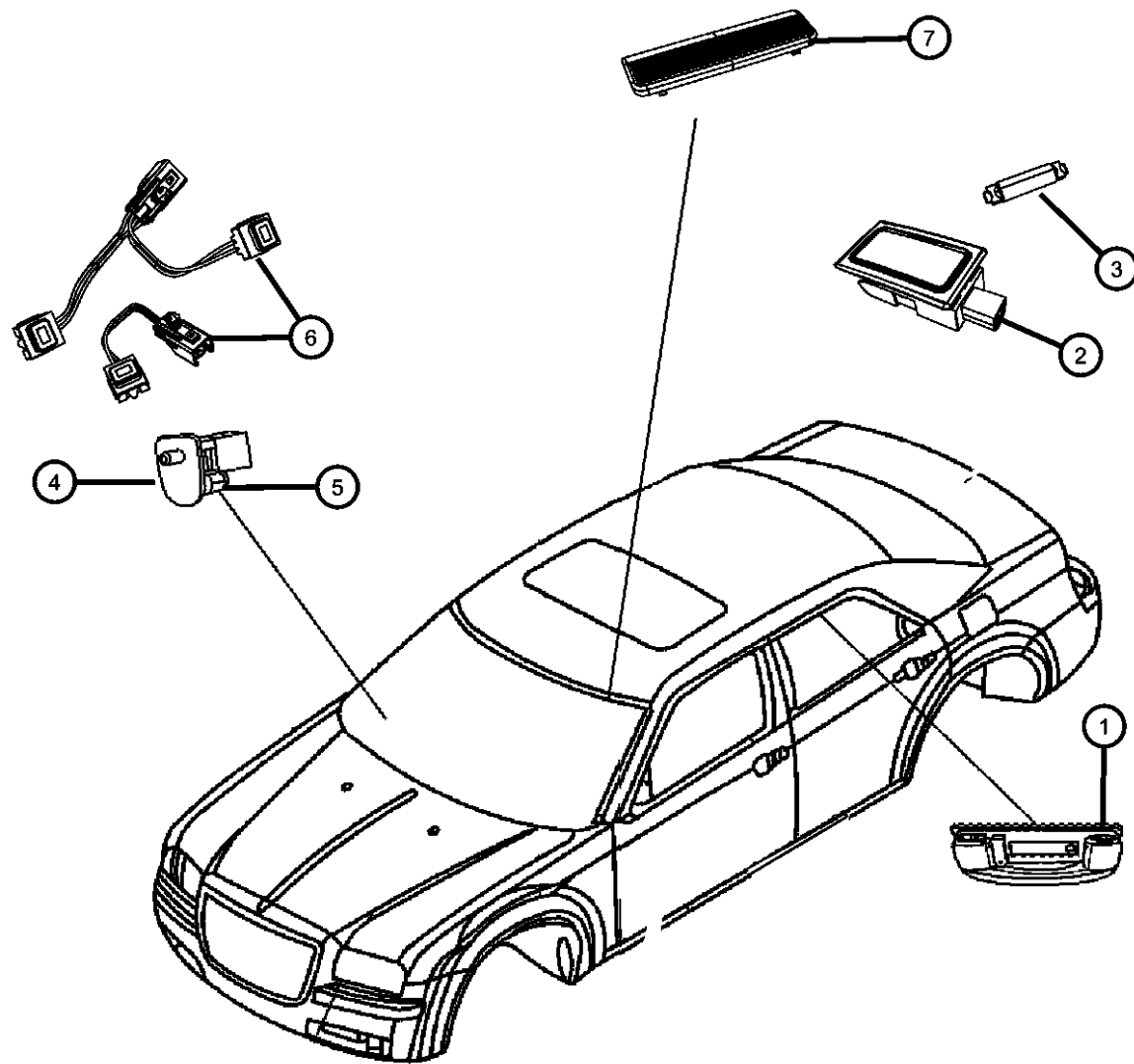
ENGINE
ERB = 3.XL Mid V6 Engine
EZH = 5.7L V8 HEMI MDS
VCT Engine

TRANSMISSION
DGJ = 5-Speed Auto W5A580
Transmission

AR = use ase required - = Non illustrated part

2011 LX

Lamps Interior
Figure 8-1115



ITEM	PART NUMBER	QTY	LINE	SERIES	BODY	ENGINE	TRANS	TRIM	DESCRIPTION
1	1TN62DX9AA	1	C, F		48				HANDLE, Grab [X9] Right With Light
	1TN62HL1AA	1	C, F		48				[XL], [L9] Right With Light
	1RV73DX9AB	2	C, F		48				[X9] Without Light
	1RV73HL1AB	2	C, F		48				[XL], [L9] Without Light
	1TN63HL1AA	1	C, F		48				[XL], [L9] Left With Light
	1TN63DX9AA	1	C, F		48				[X9] Left With Light
2	04608528AC	2	C, F, Z		48				LAMP, Courtesy Up To 1/25/11
	68088801AA	2	C, F, Z		48				After 1/25/11
3	L0000562	2	C, F, Z		48				BULB, 562
4	04565022	1	C, F, Z		48				SWITCH AND LAMP, Glove Box
5	L0000194	1	C, F, Z		48				BULB, 194
6	05108294AA	1	C, F, Z		48				LAMP, Courtesy [LBL] LED Under Dash
	05108285AA	1	C, F, Z		48				LED Under Dash
7	68095987AA	2	C, F		48				LENS, Illuminated Visor
-8	68110738AA	1	C, F		48				LAMP, Door Right Front Map Pocket LED
		1	C, F		48				Left Front Map Pocket LED
		1	C, F, Z		48				Left Rear Map Pocket LED
		1	C, F, Z		48				Right Rear Map Pocket LED

MAGNUM/300/CHARGER (LX)

SERIES LINE
H = HIGHLINE C = CHRYSLER
P = PREMIUM F = EAGLE
S = SPORT

BODY
48 = SEDAN TYPE #8

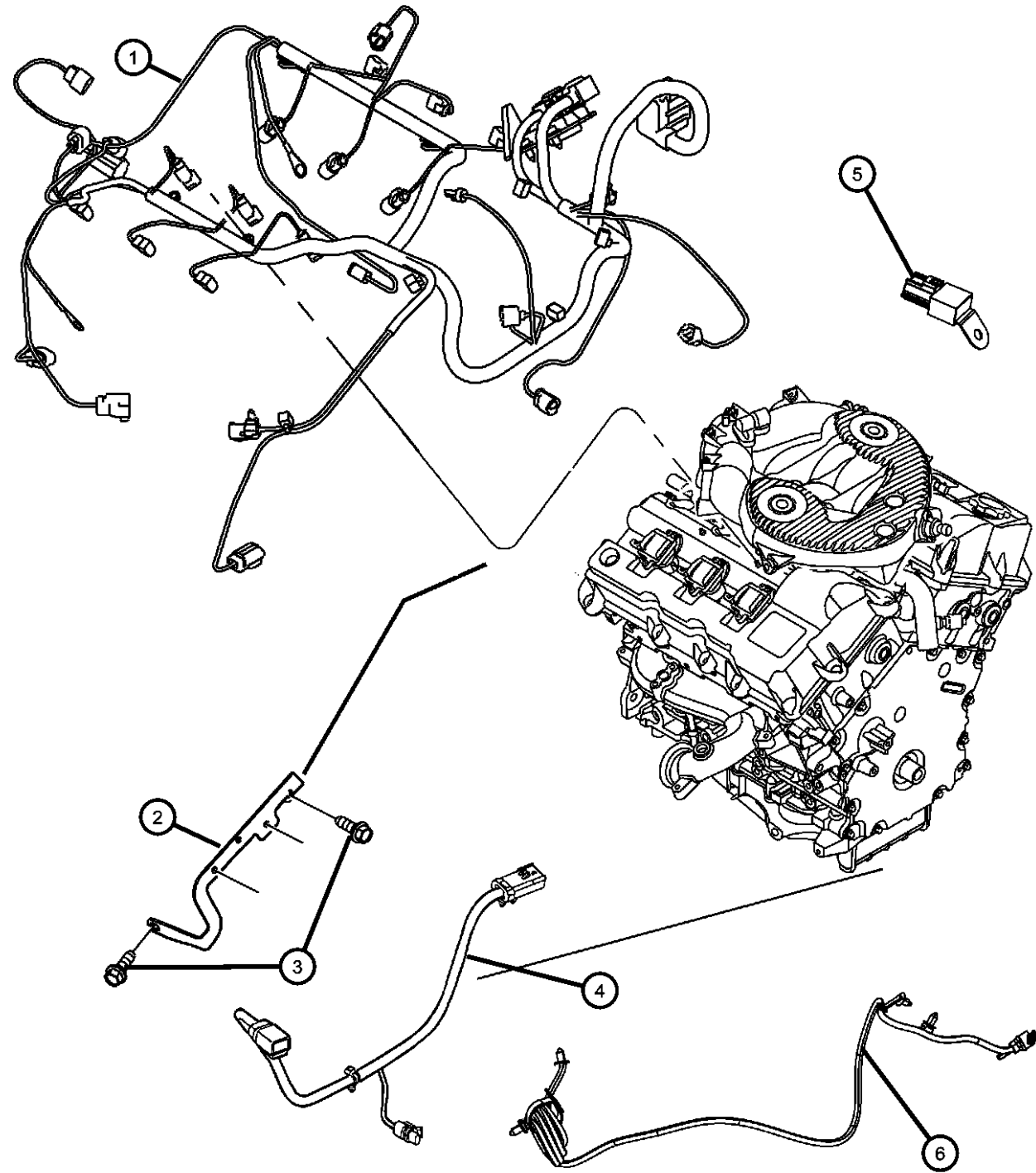
ENGINE
ERB = 3.XL Mid V6 Engine
EZH = 5.7L V8 HEMI MDS
VCT Engine

TRANSMISSION
DGJ = 5-Speed Auto W5A580
Transmission

AR = use ase required - = Non illustrated part

2011 LX

Wiring Engine Gas
Figure 8-1205



ITEM	PART NUMBER	QTY	LINE	SERIES	BODY	ENGINE	TRANS	TRIM	DESCRIPTION
1	68084310AB	1	C, F, Z		48	ERB			WIRING, Engine
2	05148104AA	1	C, F, Z		48	ERB			BRACKET, Engine Wiring
3	06104141AA	1	C, F, Z		48	ERB			SCREW, Pan Head, M6X1.0X12.00
4	05148105AE	1	C, F, Z		48	ERB			WIRING, KNOCK, OIL PRESSURE, & TEMPERATURE SENSor
5	05149243AB	2	C, F, Z		48	ERB			CAPACITOR, Ignition
6	68083745AA	1	C, F, Z		48	ERB			CORD, Engine Block Heater

MAGNUM/300/CHARGER (LX)

SERIES LINE
H = HIGHLINE C = CHRYSLER
P = PREMIUM F = EAGLE
S = SPORT

BODY
48 = SEDAN TYPE #8

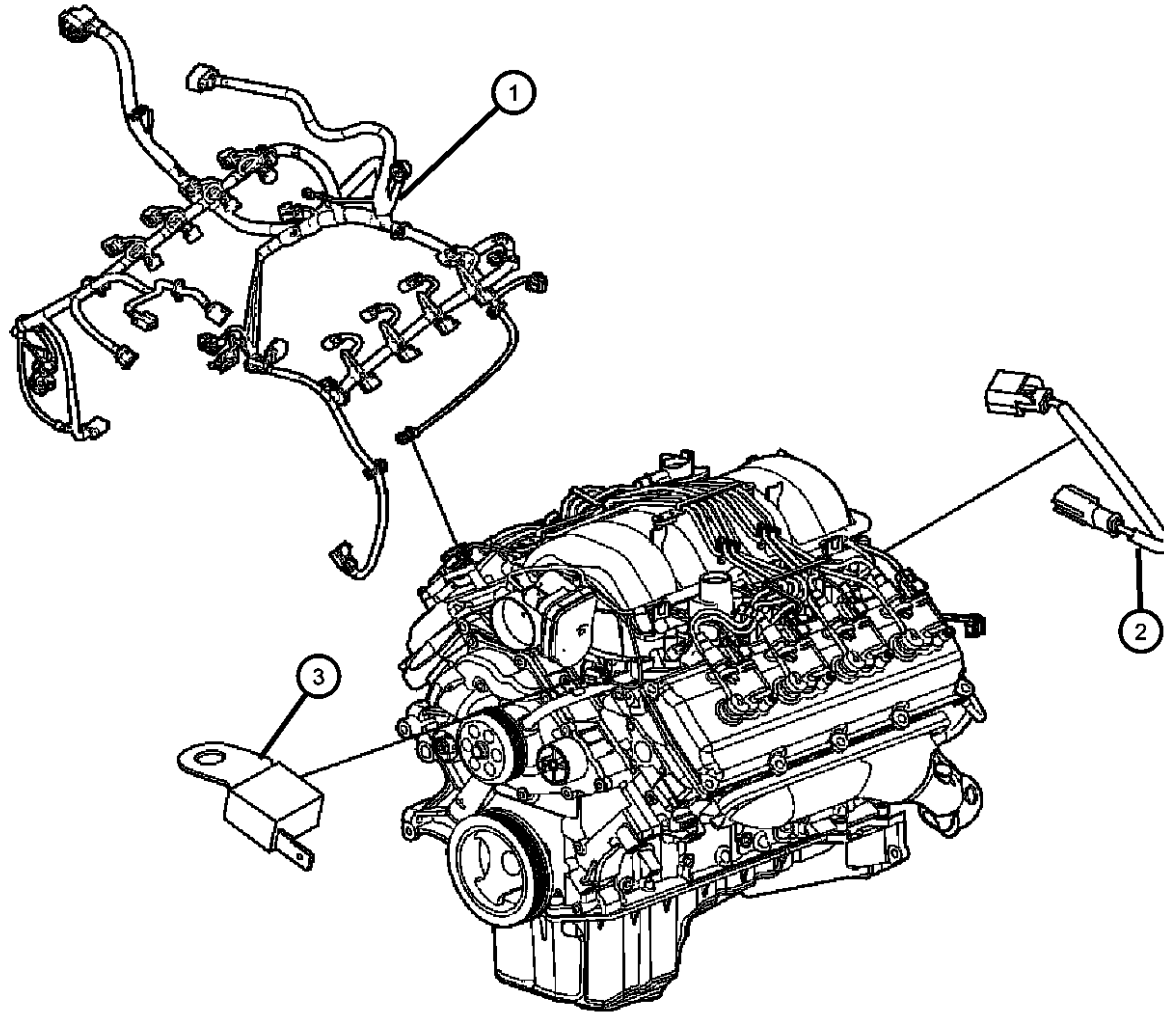
ENGINE
ERB = 3.XL Mid V6 Engine
EZH = 5.7L V8 HEMI MDS VCT Engine

TRANSMISSION
DGJ = 5-Speed Auto W5A580 Transmission

AR = use ase required - = Non illustrated part

Wiring Engine Gas
Figure 8-1206

ITEM	PART NUMBER	QTY	LINE	SERIES	BODY	ENGINE	TRANS	TRIM	DESCRIPTION
1	68084312AB	1	C		48	EZH			WIRING, Engine
	68084314AB	1	F		48	EZH			
2	05148163AA	1	C, F, Z		48	EZH			WIRING, Jumper, Multiple displacement solenoid
3	05149243AB	2	C, F, Z		48	EZH			
-4	68083756AA	1	C, F, Z		48	EZH			CORD, Engine Block Heater



MAGNUM/300/CHARGER (LX)

SERIES LINE
H = HIGHLINE C = CHRYSLER
P = PREMIUM F = EAGLE
S = SPORT

BODY
48 = SEDAN TYPE #8

ENGINE
ERB = 3.XL Mid V6 Engine
EZH = 5.7L V8 HEMI MDS
VCT Engine

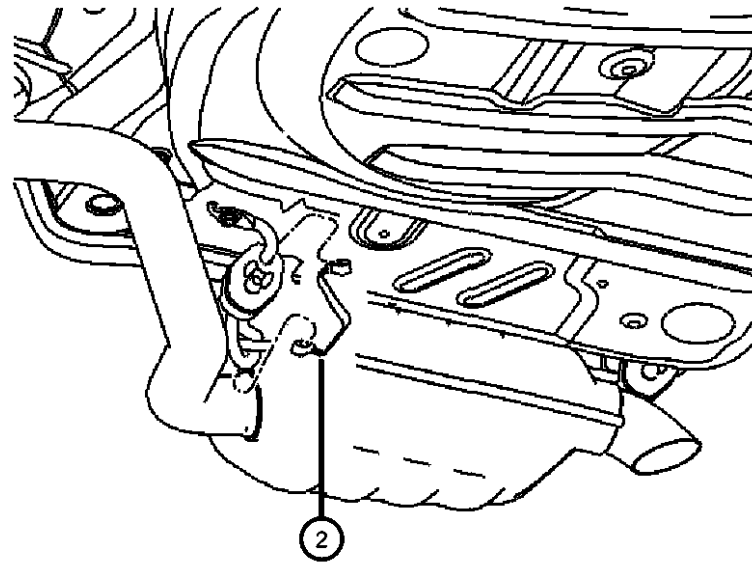
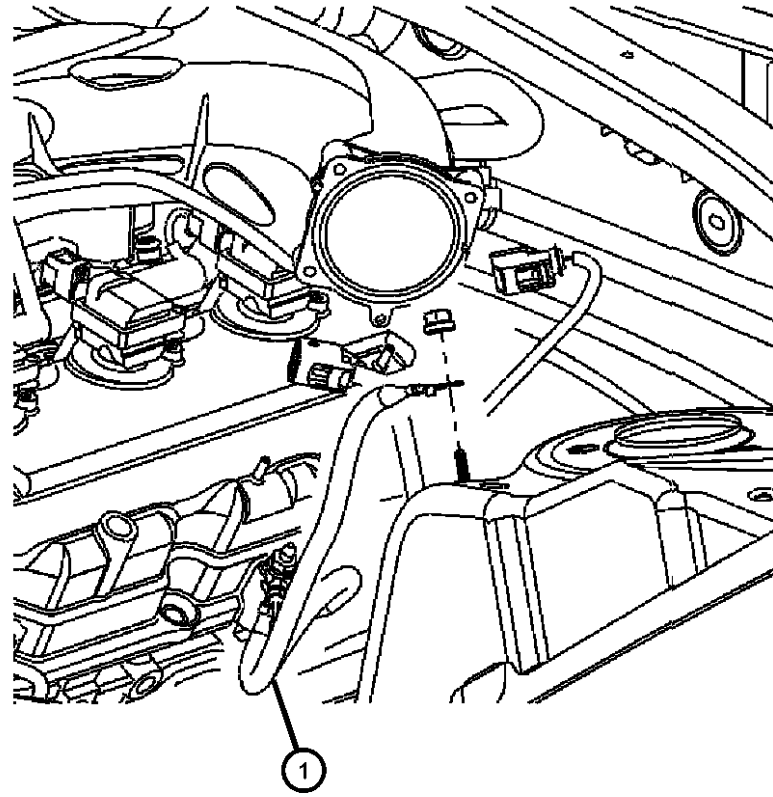
TRANSMISSION
DGJ = 5-Speed Auto W5A580
Transmission

AR = use ase required - = Non illustrated part

2011 LX

**Ground Straps
Figure 8-1220**

ITEM	PART NUMBER	QTY	LINE	SERIES	BODY	ENGINE	TRANS	TRIM	DESCRIPTION
1	05064853AA	1	C, F, Z		48	ERB			STRAP, Ground, Radio Ground Engine Left
2	05059001AC	1	C, F, Z		48	ERB, EZH			STRAP, Ground, Muffler
-3	06509239AA	1	C, F, Z		48	ERB			SCREW AND WASHER, Hex Head, M8x1.25x25.00, Engine Ground Strap to Housing



MAGNUM/300/CHARGER (LX)

SERIES LINE
H = HIGHLINE C = CHRYSLER
P = PREMIUM F = EAGLE
S = SPORT

BODY
48 = SEDAN TYPE #8

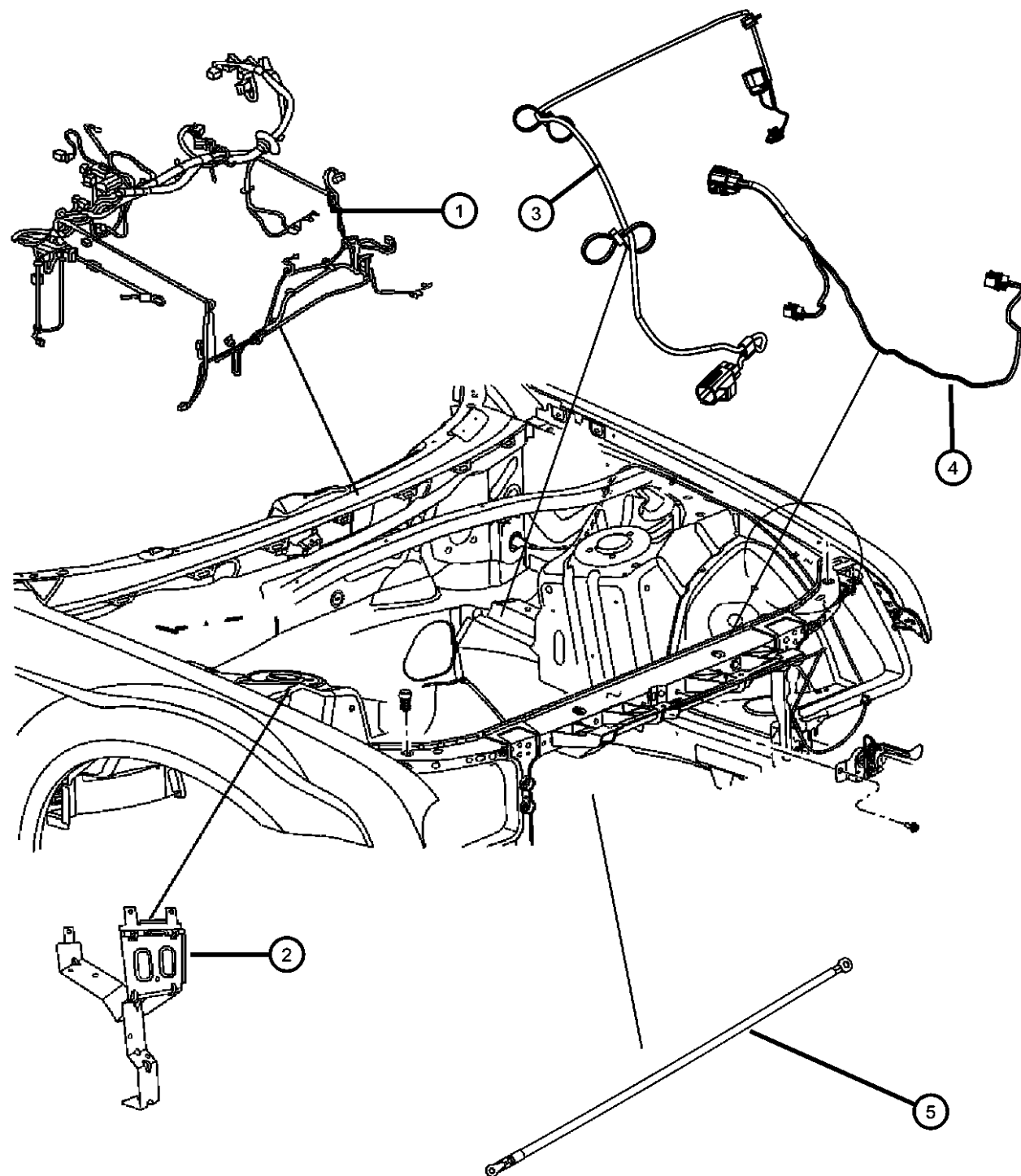
ENGINE
ERB = 3.XL Mid V6 Engine
EZH = 5.7L V8 HEMI MDS
VCT Engine

TRANSMISSION
DGJ = 5-Speed Auto W5A580
Transmission

AR = use ase required - = Non illustrated part

2011 LX

Wiring Headlamp to Dash
Figure 8-1305



ITEM	PART NUMBER	QTY	LINE	SERIES	BODY	ENGINE	TRANS	TRIM	DESCRIPTION
1	68065203AB	1	C		48				WIRING, Headlamp to Dash [LMC], [LNJ]
	68065206AB	1	C		48				[LMQ], [XAG] And/Or [NHP]
	68065208AB	1	F		48				[LMQ], [XAG] And/Or [NHP]
	68065202AB	1	C		48				[LMC]
	68065209AA	1	F		48				[LMC], [LNJ]
2	04607880AB	1	C, F, Z		48				BRACKET, Power Distribution Center
3	04607990AB	1	F		48				WIRING, Jumper, Front Axle Disconnect
4									WIRING, Fan Motor
	68050128AA	1	C, F, Z		48				[NMB]
	68050137AA	1	C, F, Z		48				[NMX]
5	68060322AA	1	C, F, Z		48				WIRING, Jumper, Ground

MAGNUM/300/CHARGER (LX)

SERIES LINE
H = HIGHLINE C = CHRYSLER
P = PREMIUM F = EAGLE
S = SPORT

BODY
48 = SEDAN TYPE #8

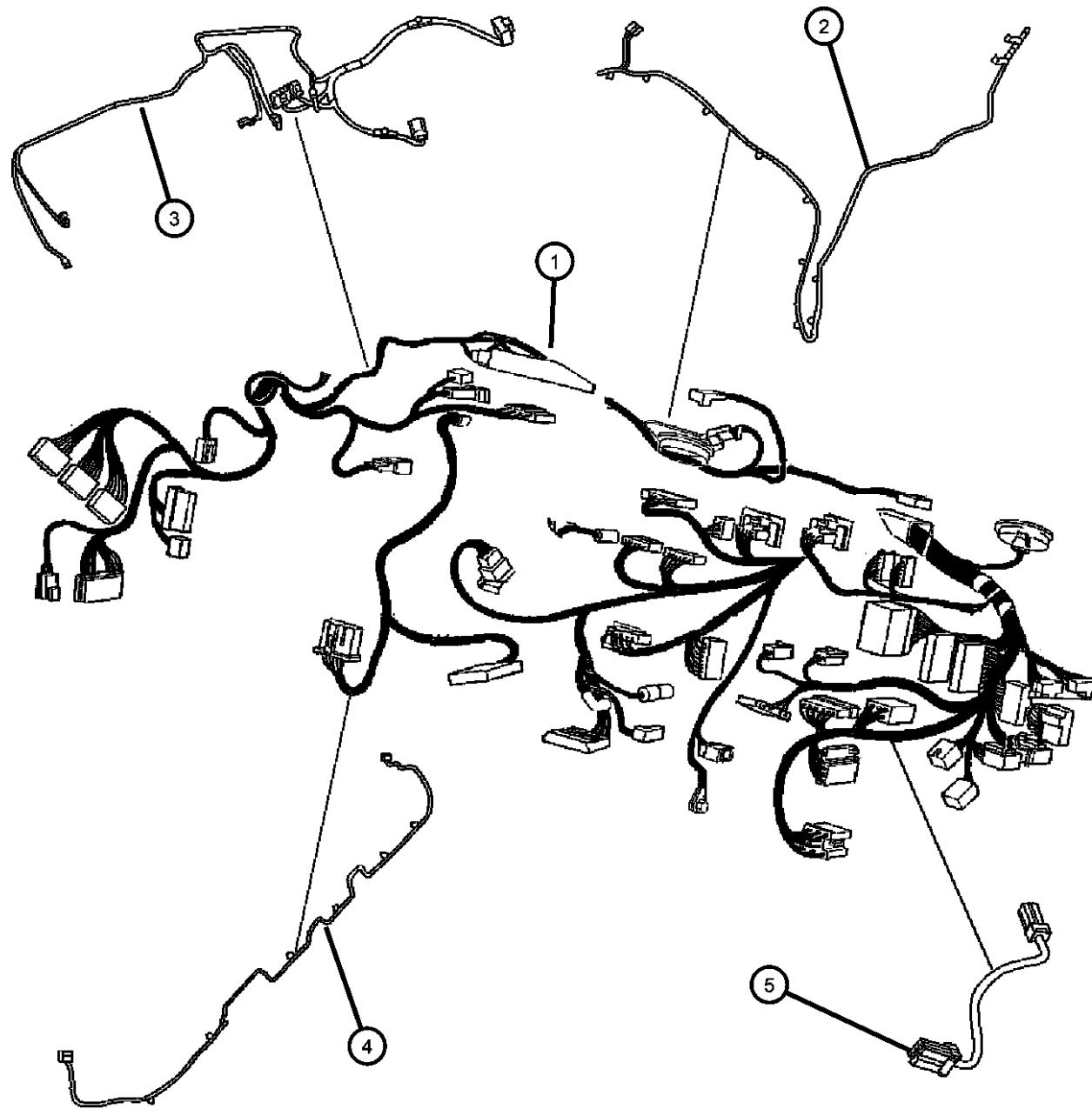
ENGINE
ERB = 3.XL Mid V6 Engine
EZH = 5.7L V8 HEMI MDS
VCT Engine

TRANSMISSION
DGJ = 5-Speed Auto W5A580
Transmission

AR = use ase required - = Non illustrated part

2011 LX

**Wiring Instrument Panel
Figure 8-1405**



ITEM	PART NUMBER	QTY	LINE	SERIES	BODY	ENGINE	TRANS	TRIM	DESCRIPTION
1									WIRING, Instrument Panel
	68084141AB	1	C, F		48				[RCG]
	68084142AB	1	C, F		48				[RC3], [SUD]
	68084143AB	1	C, F		48				[RC3], [SUB]
	68084145AB	1	C, F		48				[RCJ], [SUB]
	68084144AB	1	C, F		48				[RCJ], [SUD]
2									WIRING, Jumper, Universal Consumer Interface
	68068288AA	1	C, F		48				Short
	68068290AB	1	C, F, Z		48				[RSX]
	68068303AA	1	C, F		48				Long
3	68093371AA	1	C, F, Z		48				WIRING, Jumper, Occupant Restraint Control
4	05064684AC	1	C, F		48				WIRING, Jumper, Low Voltage Differential Signal, Low Voltage Differential Signal LVDS
5	05064997AA	1	C, F, Z		48				WIRING, Jumper, Console, Center Stack Upper to Center Stack Lower
-6	04641780	1	C, F, Z		48				STRAP, Tie, I/P Wiring to SCCM Connec

MAGNUM/300/CHARGER (LX)

SERIES LINE
H = HIGHLINE C = CHRYSLER
P = PREMIUM F = EAGLE
S = SPORT

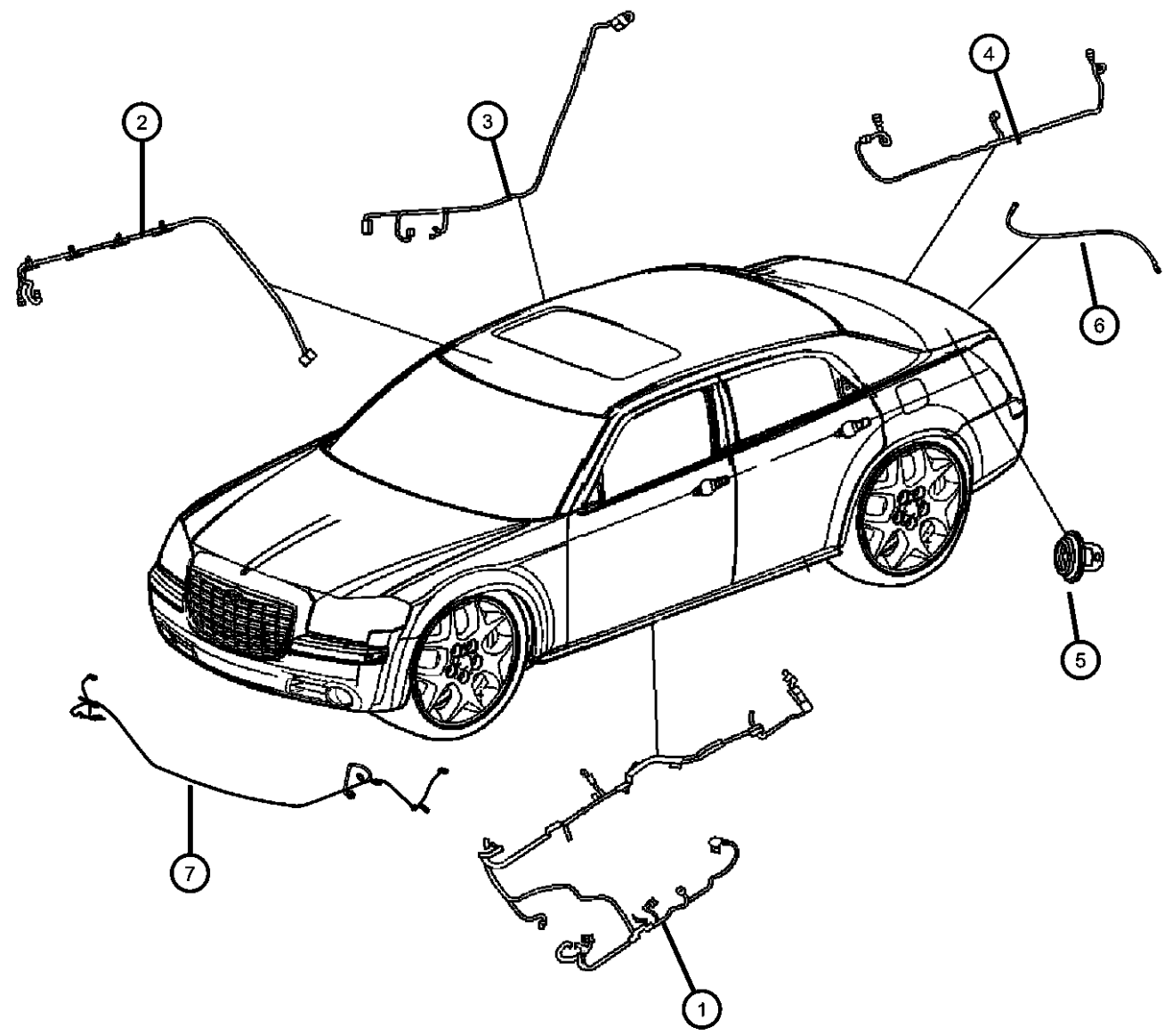
BODY
48 = SEDAN TYPE #8

ENGINE
ERB = 3.XL Mid V6 Engine
EZH = 5.7L V8 HEMI MDS
VCT Engine

TRANSMISSION
DGJ = 5-Speed Auto W5A580
Transmission

AR = use ase required - = Non illustrated part

Wiring Body
Figure 8-1505



ITEM	PART NUMBER	QTY	LINE	SERIES	BODY	ENGINE	TRANS	TRIM	DESCRIPTION
1	68083750AB	1	C, F		48				WIRING, Body [SUD], [XBM], [JPM]
	68083751AB	1	C, F		48				[SUD], [XBM], [JPM], [LPG]
	68083747AB	1	C, F		48				[SUD]
	68083753AB	1	C, F		48				[SUB], [LPG]
	68083752AB	1	C, F		48				[SUB]
2	68084161AB	1	C, F, Z		48				WIRING, Jumper, Mirror [RSP] Or [RSQ], [XXT]
	68084162AB	1	C, F, Z		48				[RSP] Or [RSQ], [XXT], [LMS]
	68084160AB	1	C, F, Z		48				[RSP] Or [RSQ]
3	68081055AA	1	C, F, Z		48				WIRING, Sunroof
4	68127955AA	1	C, F, Z		48				WIRING, Rear Fascia [XAG]
	68127956AA	1	C, F, Z		48				
5	56021909AA	1	C, F, Z		48				GROMMET, Body Wiring
6	68060322AA	1	C, F, Z		48				WIRING, Jumper, Ground
7	68127948AA	1	C, F, Z		48				WIRING, Front Fascia [MF5], [LNJ], [XAG], [NHP]
	05059129AB	1	C, F, Z		48				[MF5]
	05087271AA	1	C, F, Z		48				[MF5], [LNJ]

MAGNUM/300/CHARGER (LX)

SERIES LINE
H = HIGHLINE C = CHRYSLER
P = PREMIUM F = EAGLE
S = SPORT

BODY
48 = SEDAN TYPE #8

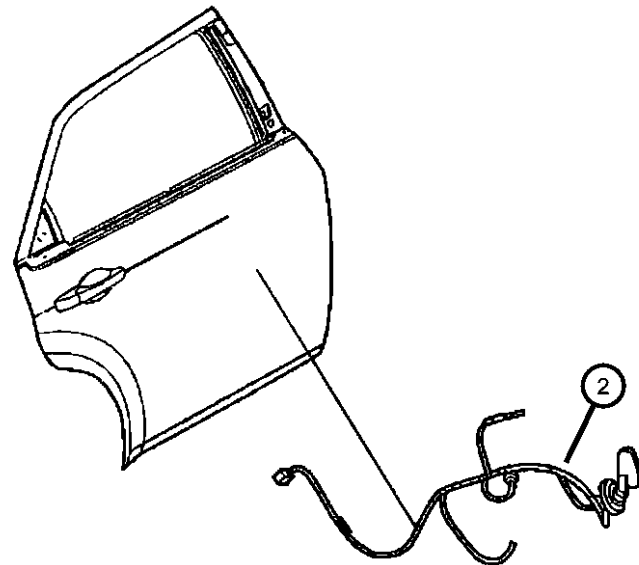
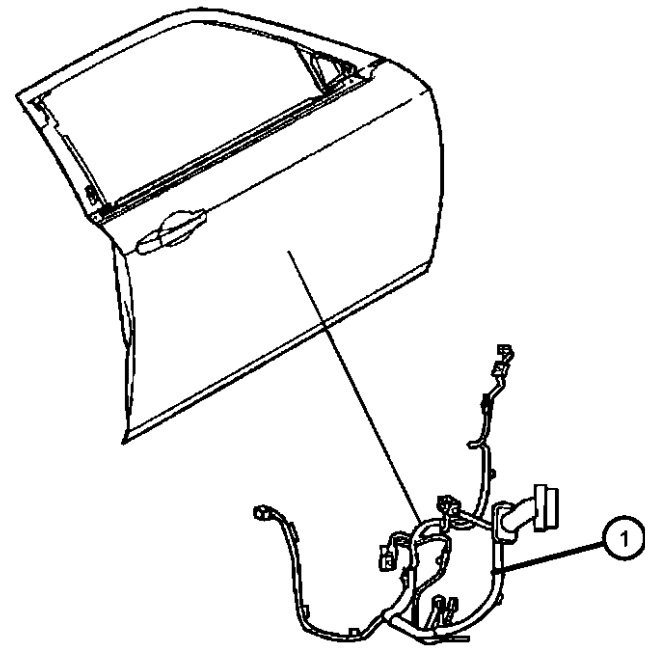
ENGINE
ERB = 3.XL Mid V6 Engine
EZH = 5.7L V8 HEMI MDS
VCT Engine

TRANSMISSION
DGJ = 5-Speed Auto W5A580
Transmission

AR = use ase required - = Non illustrated part

**Wiring Door, Deck Lid, and Liftgate
Figure 8-1515**

ITEM	PART NUMBER	QTY	LINE	SERIES	BODY	ENGINE	TRANS	TRIM	DESCRIPTION
1	68084153AA	1	C, F		48				WIRING, Front Door Left
	68084154AA	1	C, F		48				Right
2	68084155AA	1	C, F, Z		48				WIRING, Rear Door Left
	68084156AA	1	C, F, Z		48				Left [RC3]
		1	C, F, Z		48				Right [RC3]
		1	C, F, Z		48				Right



MAGNUM/300/CHARGER (LX)

SERIES LINE
H = HIGHLINE C = CHRYSLER
P = PREMIUM F = EAGLE
S = SPORT

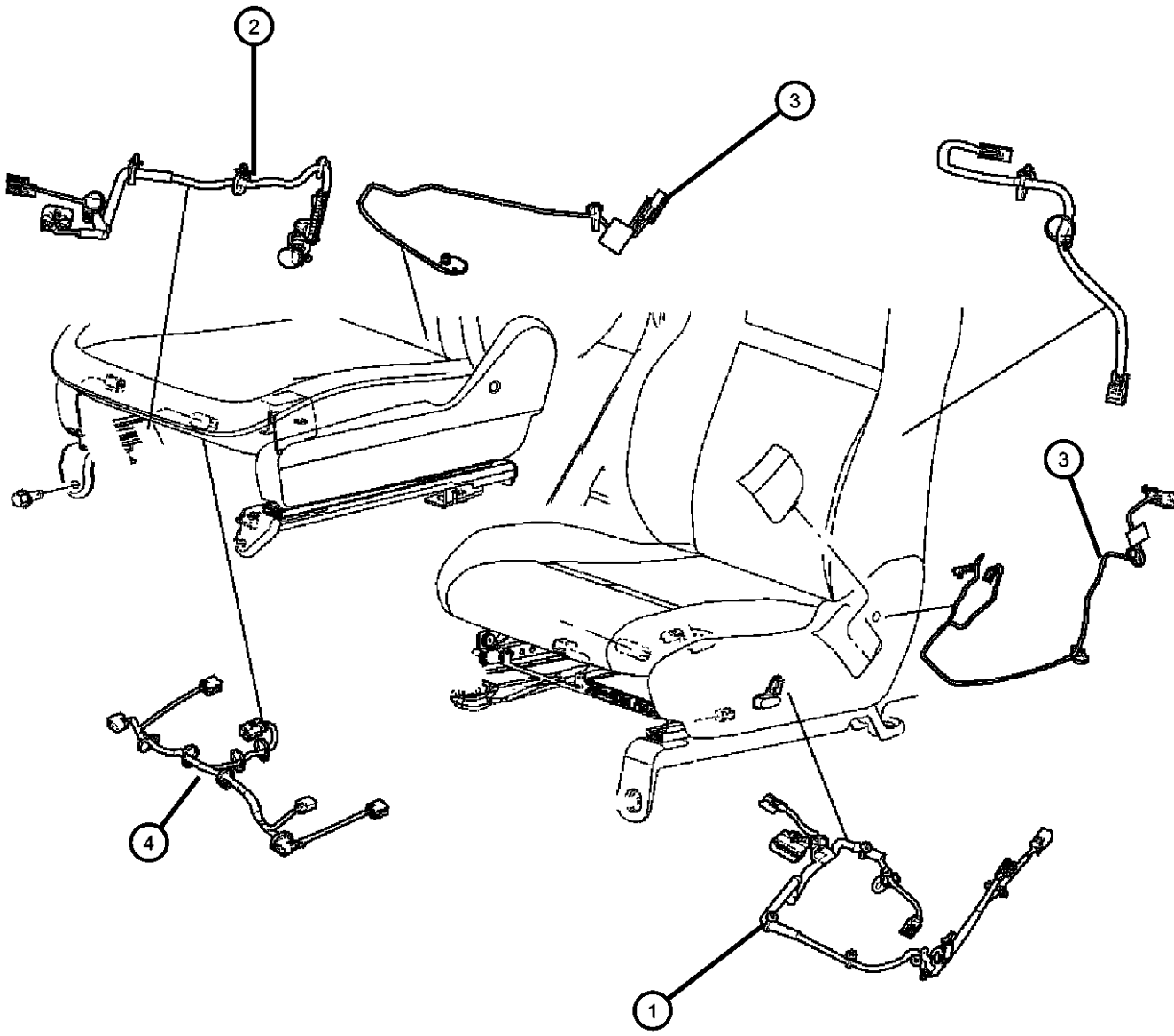
BODY
48 = SEDAN TYPE #8

ENGINE
ERB = 3.XL Mid V6 Engine
EZH = 5.7L V8 HEMI MDS
VCT Engine

TRANSMISSION
DGJ = 5-Speed Auto W5A580
Transmission

AR = use ase required - = Non illustrated part

Wiring Seats, Front
Figure 8-1520



ITEM	PART NUMBER	QTY	LINE	SERIES	BODY	ENGINE	TRANS	TRIM	DESCRIPTION
1									WIRING, Power Seat
	68104431AA	1	C, F		48				LH [JPR], [XA8], [JPM] 8 Way w/TPS, 2 Heat Seat
	68104557AA	1	C, F		48				LH [JPR], [XA8] 8 Way w/TPS
	68104711AA	1	C, F		48				LH 8 Way w/TPS & PED, Memory, 4 Seat Heat,w/Vent & Wheel
	68104433AA	1	C, F		48				LH Non-Memory Back (Lumbar, Recline, & Airbag)
	68104713AA	1	C, F		48				LH Memory Back w/Vent (Lumbar, Recline, & Airbag)
2									WIRING, Power Seat
	68104438AA	1	C, F		48				RH Non-Memory Back (Lumbar, Recline, & Airbag)
	68104556AA	1	C, F		48				RH 8 Way w/Heat(77) & ODS & TPS
	68102832AA	1	C, F		48				RH Non-Memory Back (Airbag)
	68104728AA	1	C, F		48				RH Non-Memory Back w/Vent (Lumbar, Recline, & Airbag)
	68104724AA	1	C, F		48				RH 8 Way w/Heat(83) & ODS & TPS
3									WIRING, Seat
	68103706AA	1	C, F		48				Manual Seat - RH w/ODS & TPS
	68104432AA	1	C, F		48				Manual Seat - RH w/ODS, TPS, & Heat (77)
4									WIRING, Seat
	68104686AA	1	C, F		48				Seat, 2R, Cush
	68104687AA	1	C, F		48				Seat, 2R, 60%, Back

MAGNUM/300/CHARGER (LX)

SERIES LINE
H = HIGHLINE C = CHRYSLER
P = PREMIUM F = EAGLE
S = SPORT

BODY
48 = SEDAN TYPE #8

ENGINE
ERB = 3.XL Mid V6 Engine
EZH = 5.7L V8 HEMI MDS
VCT Engine

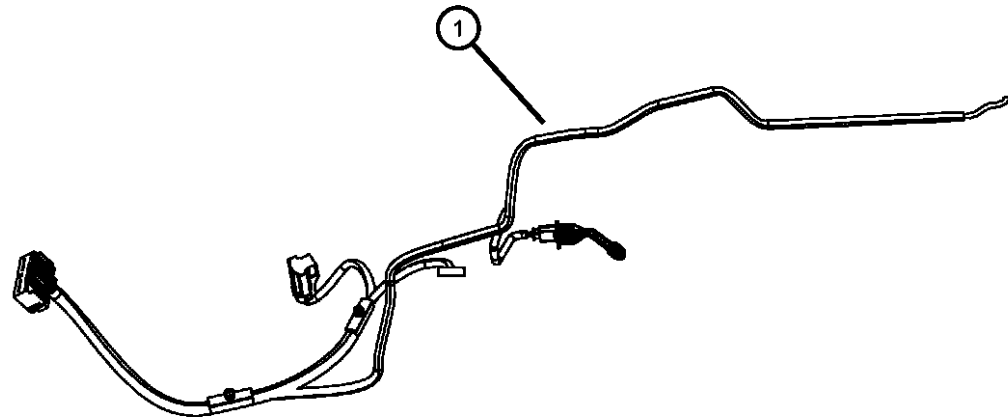
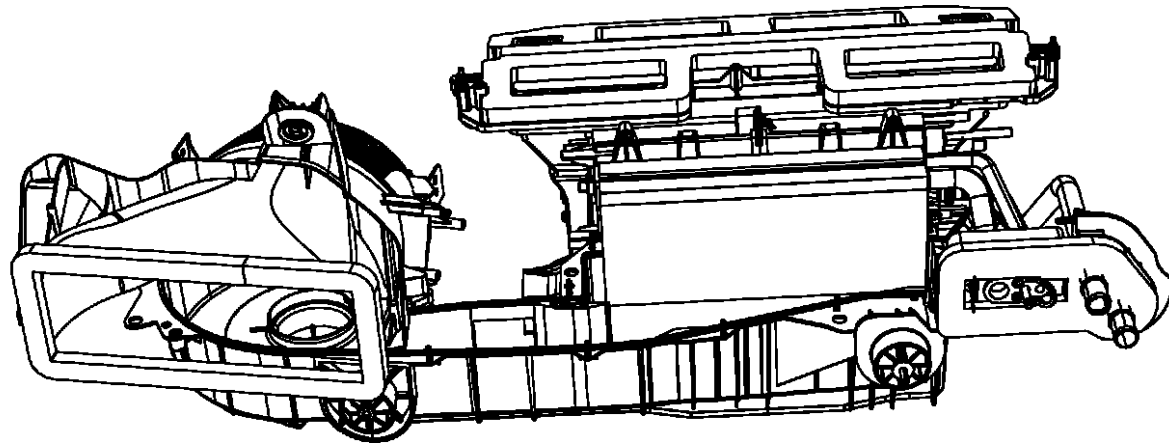
TRANSMISSION
DGJ = 5-Speed Auto W5A580
Transmission

AR = use ase required - = Non illustrated part

2011 LX

Wiring Air Conditioning and Heater
Figure 8-1530

ITEM	PART NUMBER	QTY	LINE	SERIES	BODY	ENGINE	TRANS	TRIM	DESCRIPTION
1	68110622AA	1	C, F		48				WIRING, A/C and HEATER, [HAF]



MAGNUM/300/CHARGER (LX)

SERIES LINE
H = HIGHLINE C = CHRYSLER
P = PREMIUM F = EAGLE
S = SPORT

BODY
48 = SEDAN TYPE #8

ENGINE
ERB = 3.XL Mid V6 Engine
EZH = 5.7L V8 HEMI MDS
VCT Engine

TRANSMISSION
DGJ = 5-Speed Auto W5A580
Transmission

AR = use ase required - = Non illustrated part

**Wiring Repairs
Figure 8-1605**

ITEM	PART NUMBER	QTY	LINE	SERIES	BODY	ENGINE	TRANS	TRIM	DESCRIPTION
-1		1							WIRING PACKAGE, Underhood Connector Repair, For Electrical Connector Repair Information visit the World Wide Web at http://dto.vftis.com/mopar/disclaimer.asp , (NOT SERVICED)
-2	05073039AA	1	C, F, Z		48				STRAP, Tie I/P Wiring
	06015756	1	C, F, Z		48				
-3	52108308AC	1	F		48	EZH	DGJ		CONNECTOR ASSEMBLY, Electrical
		1	C		48	EZH	DGJ		
-4	68055358AA	1	F		48	EZH	DGJ		CONNECTOR ASSEMBLY, Electrical

For Electrical Connector Repair Information visit the World Wide Web at

<http://dto.vftis.com/mopar/disclaimer.asp>

MAGNUM/300/CHARGER (LX)

SERIES LINE
H = HIGHLINE C = CHRYSLER
P = PREMIUM F = EAGLE
S = SPORT

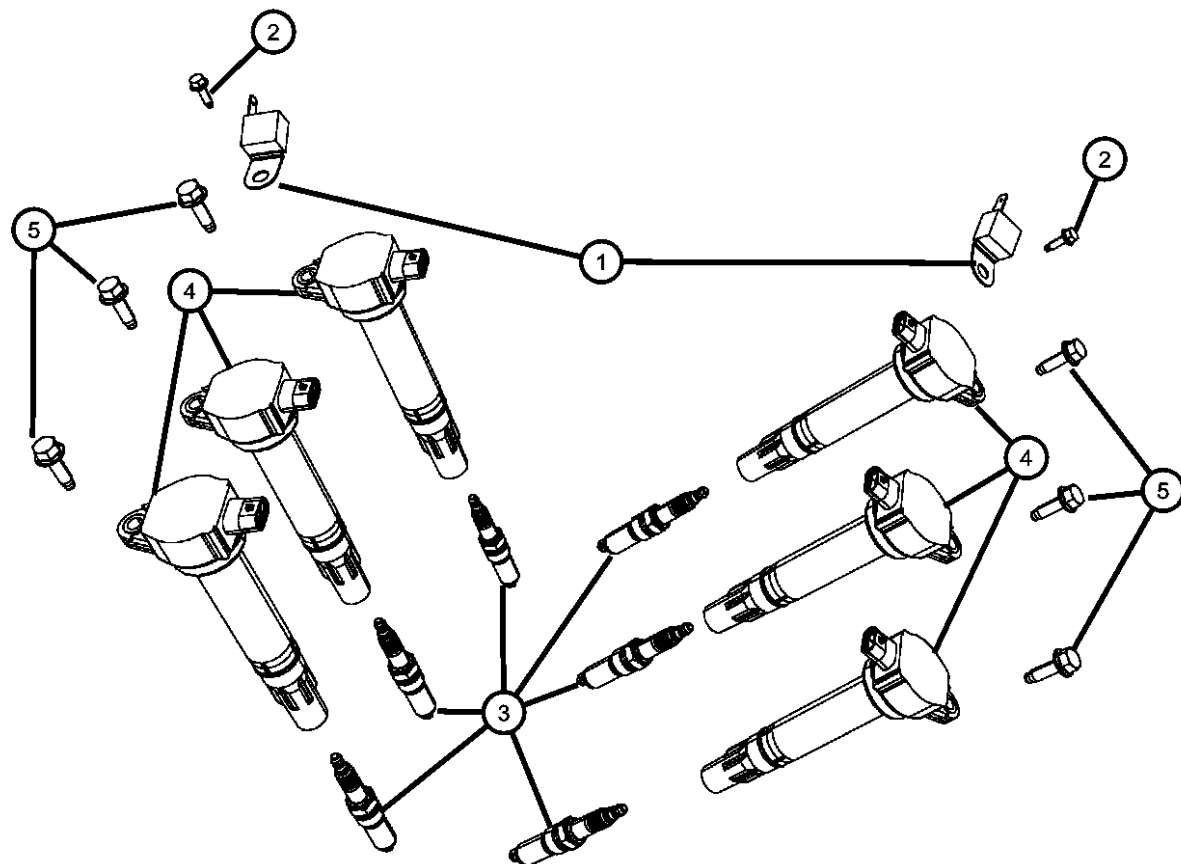
BODY
48 = SEDAN TYPE #8

ENGINE
ERB = 3.XL Mid V6 Engine
EZH = 5.7L V8 HEMI MDS VCT Engine

TRANSMISSION
DGJ = 5-Speed Auto W5A580 Transmission

Spark Plugs and Ignition Coil
Figure 8-1905

ITEM	PART NUMBER	QTY	LINE	SERIES	BODY	ENGINE	TRANS	TRIM	DESCRIPTION
1	05149243AB	2	C, F, Z		48	ERB			CAPACITOR, Ignition
2		2							SCREW, Hex Flange Head, M6X1.00X12.00, (NOT SERVICED)
3	SP149125AD	6	C, F, Z		48	ERB			SPARK PLUG
4	05149168AH	6	C, F, Z		48	ERB			COIL, Ignition
5	06509519AA	6	C, F, Z		48	ERB			SCREW, Hex Flange Head, M6X1.00X27.00, Ignition Coil to Cylinder Head Cover



MAGNUM/300/CHARGER (LX)

SERIES LINE
H = HIGHLINE C = CHRYSLER
P = PREMIUM F = EAGLE
S = SPORT

BODY
48 = SEDAN TYPE #8

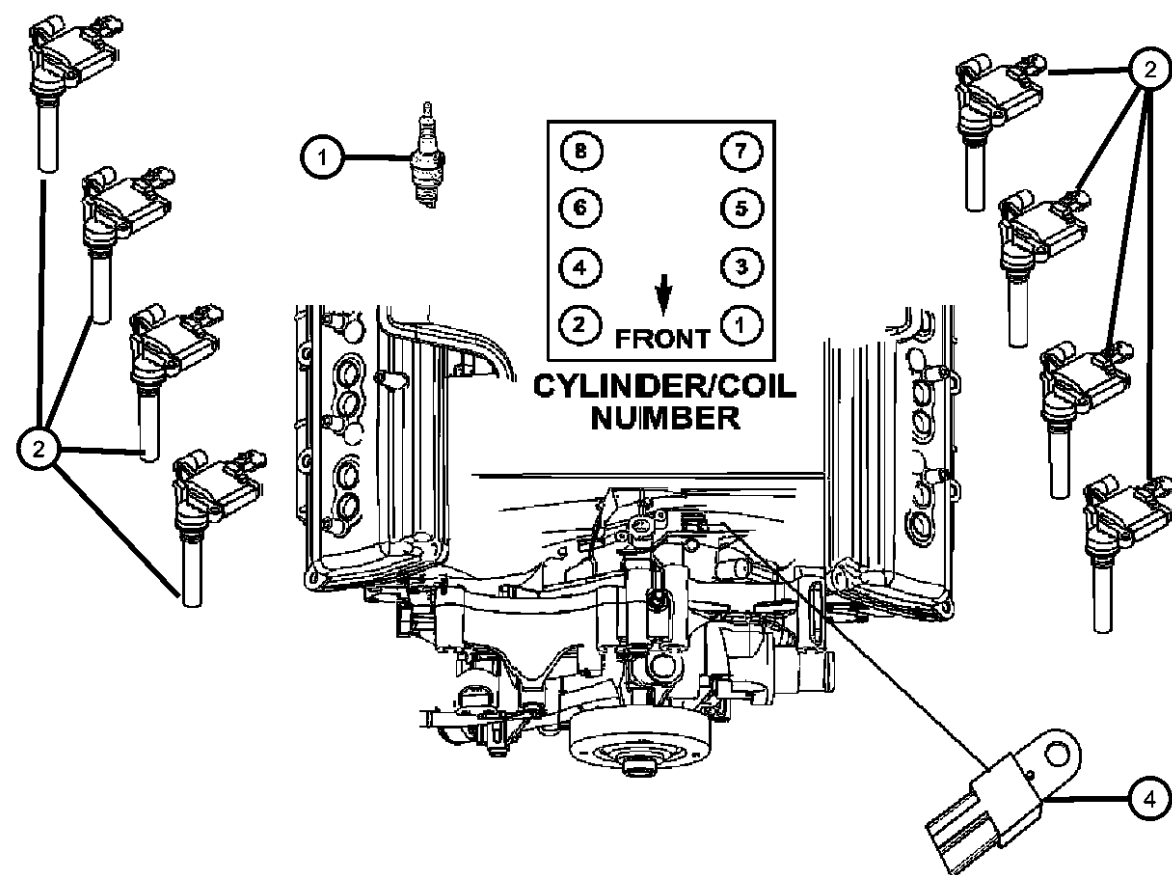
ENGINE
ERB = 3.XL Mid V6 Engine
EZH = 5.7L V8 HEMI MDS
VCT Engine

TRANSMISSION
DGJ = 5-Speed Auto W5A580
Transmission

AR = use ase required - = Non illustrated part

2011 LX

Spark Plugs and Ignition Coil
Figure 8-1910



ITEM	PART NUMBER	QTY	LINE	SERIES	BODY	ENGINE	TRANS	TRIM	DESCRIPTION
1	SPLZFR5C11	16	C, F, Z		48	EZH			SPARK PLUG
2	56029129AB	8	C, F, Z		48	EZH			COIL, Ignition
-3	06508513AA	16	C, F, Z		48	EZH			SCREW AND WASHER, Hex Head, M6X1.00X24.75, Ignition Coil to Cylinder Head Cover
4	05149243AB	2	C, F, Z		48	EZH			CAPACITOR, Ignition

MAGNUM/300/CHARGER (LX)

SERIES LINE
H = HIGHLINE C = CHRYSLER
P = PREMIUM F = EAGLE
S = SPORT

BODY
48 = SEDAN TYPE #8

ENGINE
ERB = 3.XL Mid V6 Engine
EZH = 5.7L V8 HEMI MDS VCT Engine

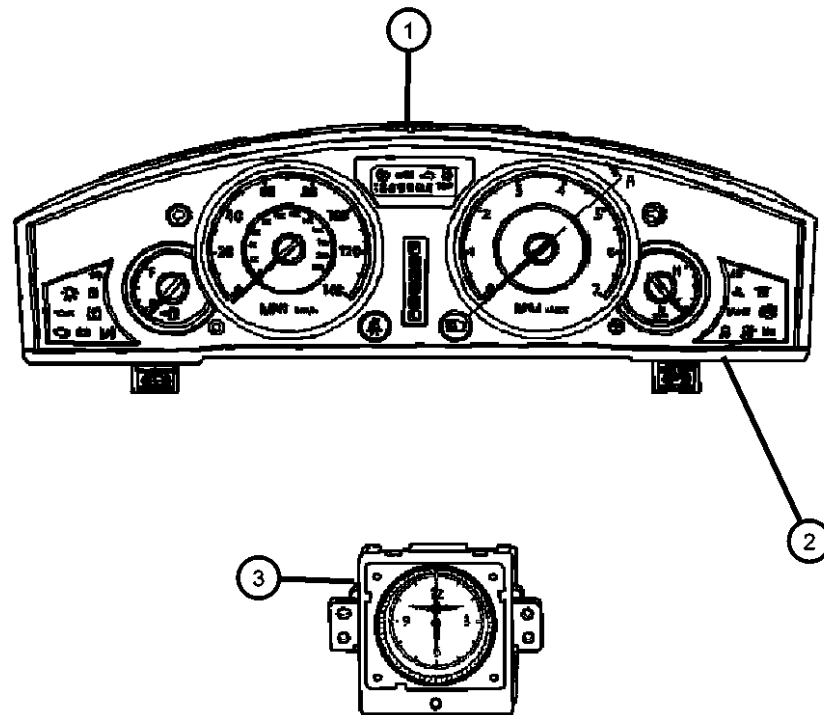
TRANSMISSION
DGJ = 5-Speed Auto W5A580 Transmission

AR = use ase required - = Non illustrated part

2011 LX

**Instrument Panel Cluster
Figure 8-2105**

ITEM	PART NUMBER	QTY	LINE	SERIES	BODY	ENGINE	TRANS	TRIM	DESCRIPTION
1	68037330AF	1	C, F		48				CLUSTER, Instrument Panel [JCE]
	68038332AF	1	C, F		48				[JCC]
	68038338AF	1	C, F, Z		48				[JDN]
2	68125540AA	1	C, F, Z		48				MASK AND LENS, Instrument Cluster
3	56046230AA	1	C, F, Z		48				CLOCK, [JGG]



MAGNUM/300/CHARGER (LX)

SERIES LINE
H = HIGHLINE C = CHRYSLER
P = PREMIUM F = EAGLE
S = SPORT

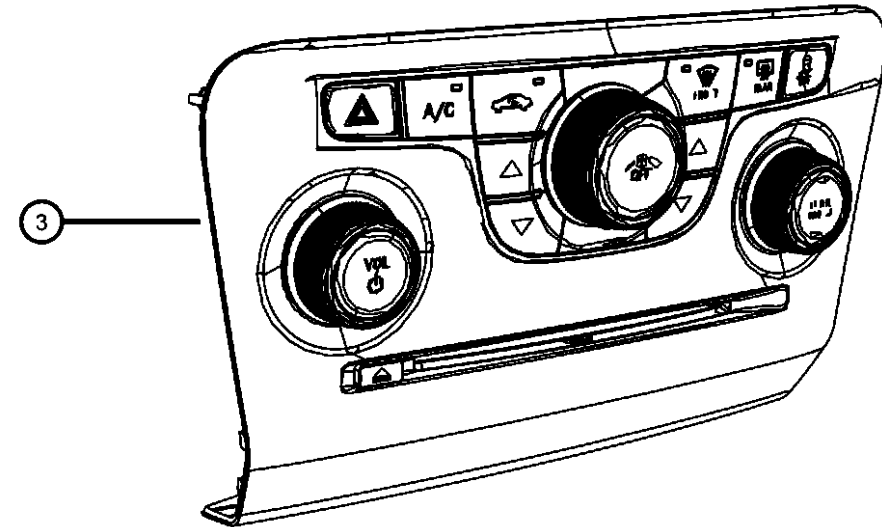
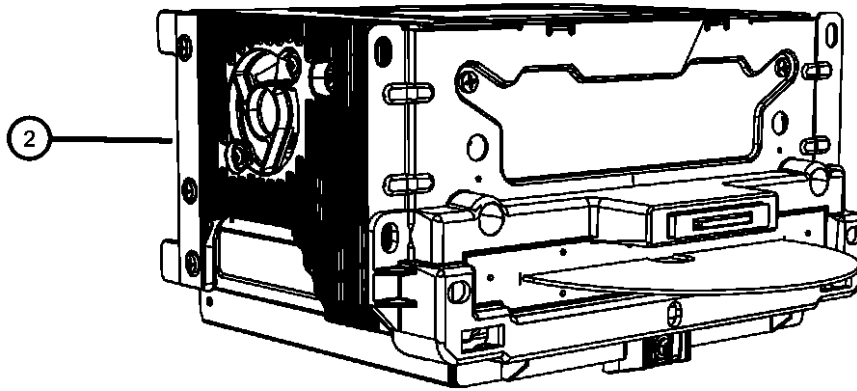
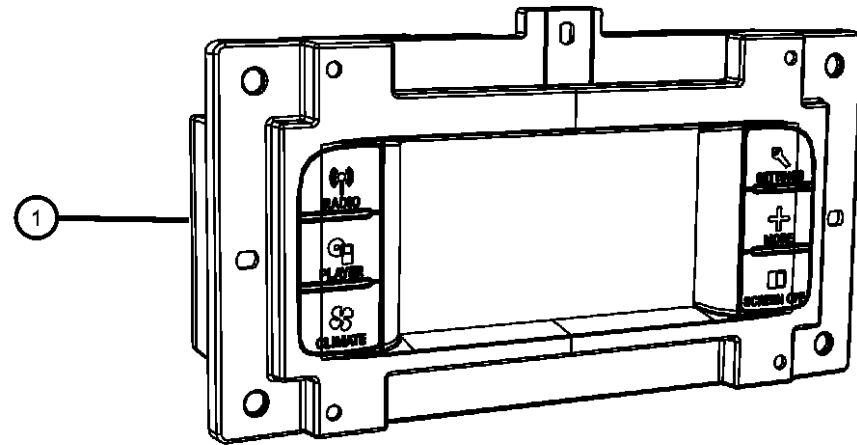
BODY
48 = SEDAN TYPE #8

ENGINE
ERB = 3.XL Mid V6 Engine
EZH = 5.7L V8 HEMI MDS
VCT Engine

TRANSMISSION
DGJ = 5-Speed Auto W5A580
Transmission

AR = use ase required - = Non illustrated part

Radios and Center Stack
Figure 8-2205



ITEM	PART NUMBER	QTY	LINE	SERIES	BODY	ENGINE	TRANS	TRIM	DESCRIPTION
1	05064632AG	1	C, F, Z		48				CENTER STACK, Upper Display w/Bezel
	05064798AG	1	C, F, Z		48				Display w/o Bezel
2	05064538AH	1	C, F, Z		48				RADIO, MULTI Media [RB5]
	05064542AH	1	C, F, Z		48				[RE2]
	05064545AH	1	C, F, Z		48				[RE6]
	05064547AH	1	C, F, Z		48				[RB6]
3	1TD12AAAAC	1	C, F, Z		48				CENTER STACK, Lower [XSM] Spinning Cherry
	1UA83AAAAC	1	C, F, Z		48				[XSN] Dark Olive Ash Burl
	1QH13AAAAC	1	C, F, Z		48				[XSJ] Black Comodo Elm
	1QH14AAAAC	1	C, F, Z		48				[XSR] Black Olive Ash Burl

MAGNUM/300/CHARGER (LX)

SERIES LINE
H = HIGHLINE C = CHRYSLER
P = PREMIUM F = EAGLE
S = SPORT

BODY
48 = SEDAN TYPE #8

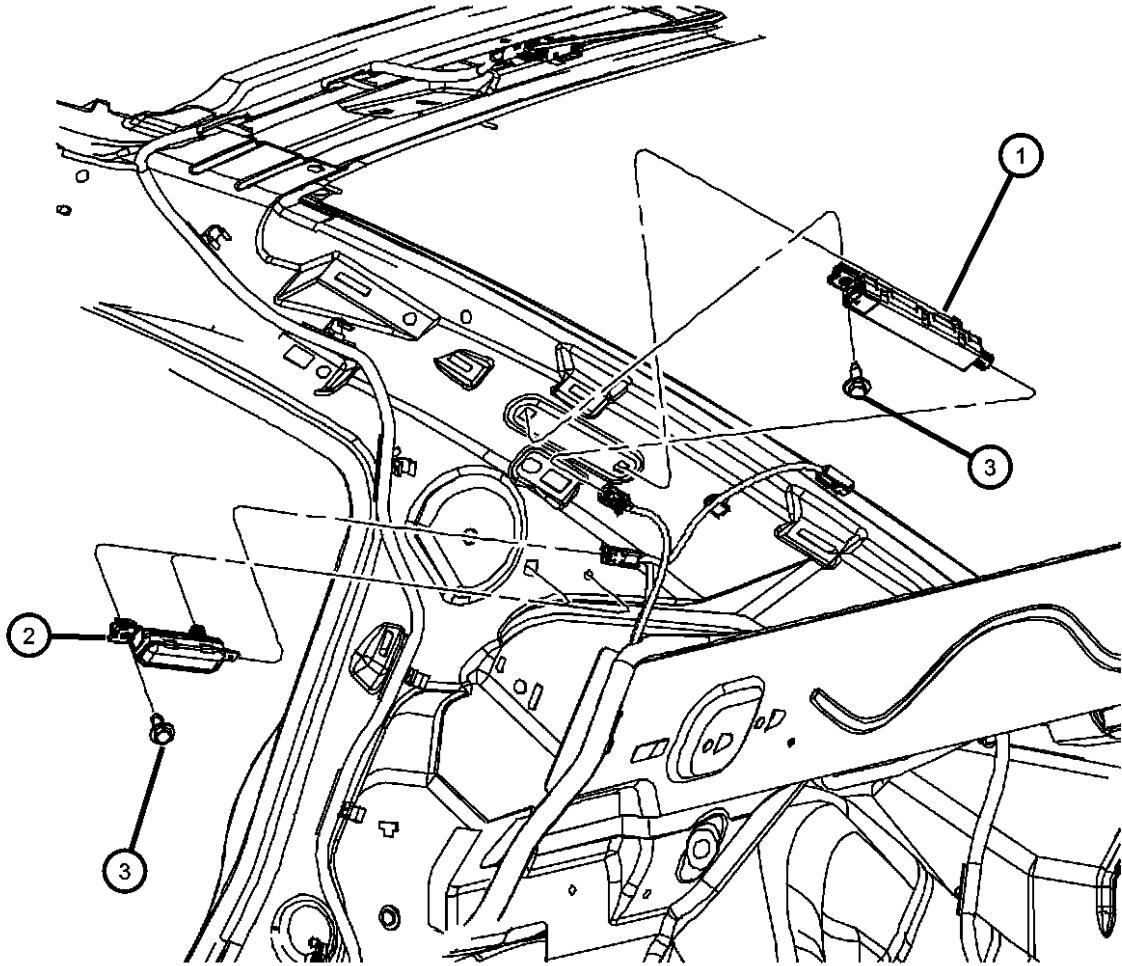
ENGINE
ERB = 3.XL Mid V6 Engine
EZH = 5.7L V8 HEMI MDS
VCT Engine

TRANSMISSION
DGJ = 5-Speed Auto W5A580
Transmission

AR = use ase required - = Non illustrated part

Antenna
Figure 8-2210

ITEM	PART NUMBER	QTY	LINE	SERIES	BODY	ENGINE	TRANS	TRIM	DESCRIPTION
1	05064783AA	1	C, F, Z		48				ANTENNA, Module
2	05064937AA	1	C, F, Z		48				CAPACITOR, Antenna
3									SCREW, Hex Head, .19x16x.5
	06034939	1	C, F, Z		48				Antenna Module to Body
		1	C, F, Z		48				Capicitor to Body



MAGNUM/300/CHARGER (LX)

SERIES LINE
H = HIGHLINE C = CHRYSLER
P = PREMIUM F = EAGLE
S = SPORT

BODY
48 = SEDAN TYPE #8

ENGINE
ERB = 3.XL Mid V6 Engine
EZH = 5.7L V8 HEMI MDS
VCT Engine

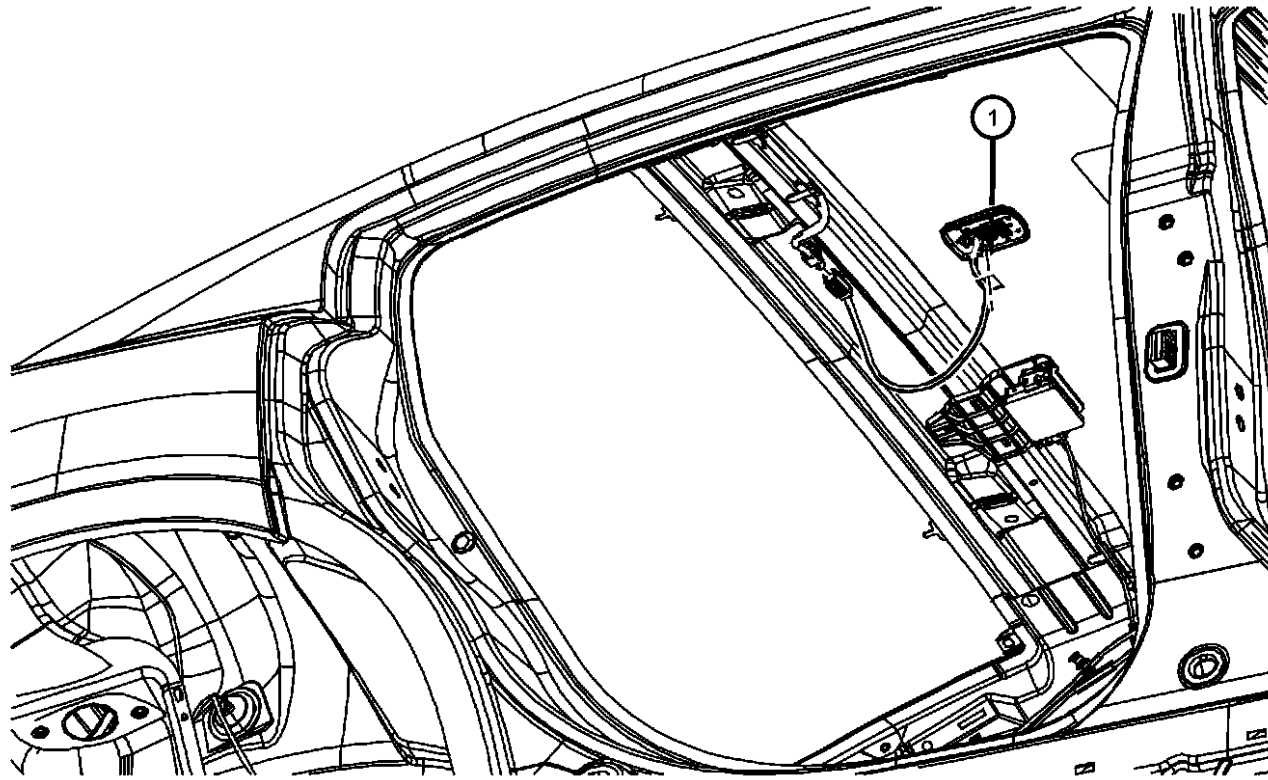
TRANSMISSION
DGJ = 5-Speed Auto W5A580
Transmission

AR = use ase required - = Non illustrated part

2011 LX

**Satellite Radio System
Figure 8-2215**

ITEM	PART NUMBER	QTY	LINE	SERIES	BODY	ENGINE	TRANS	TRIM	DESCRIPTION
1	05064908AA	1	C, F, Z		48				ANTENNA, Satellite
-2	06508166AA	1	C, F, Z		48				SCREW, Hex Head, M6X1.00X13.00



MAGNUM/300/CHARGER (LX)

SERIES LINE
H = HIGHLINE C = CHRYSLER
P = PREMIUM F = EAGLE
S = SPORT

BODY
48 = SEDAN TYPE #8

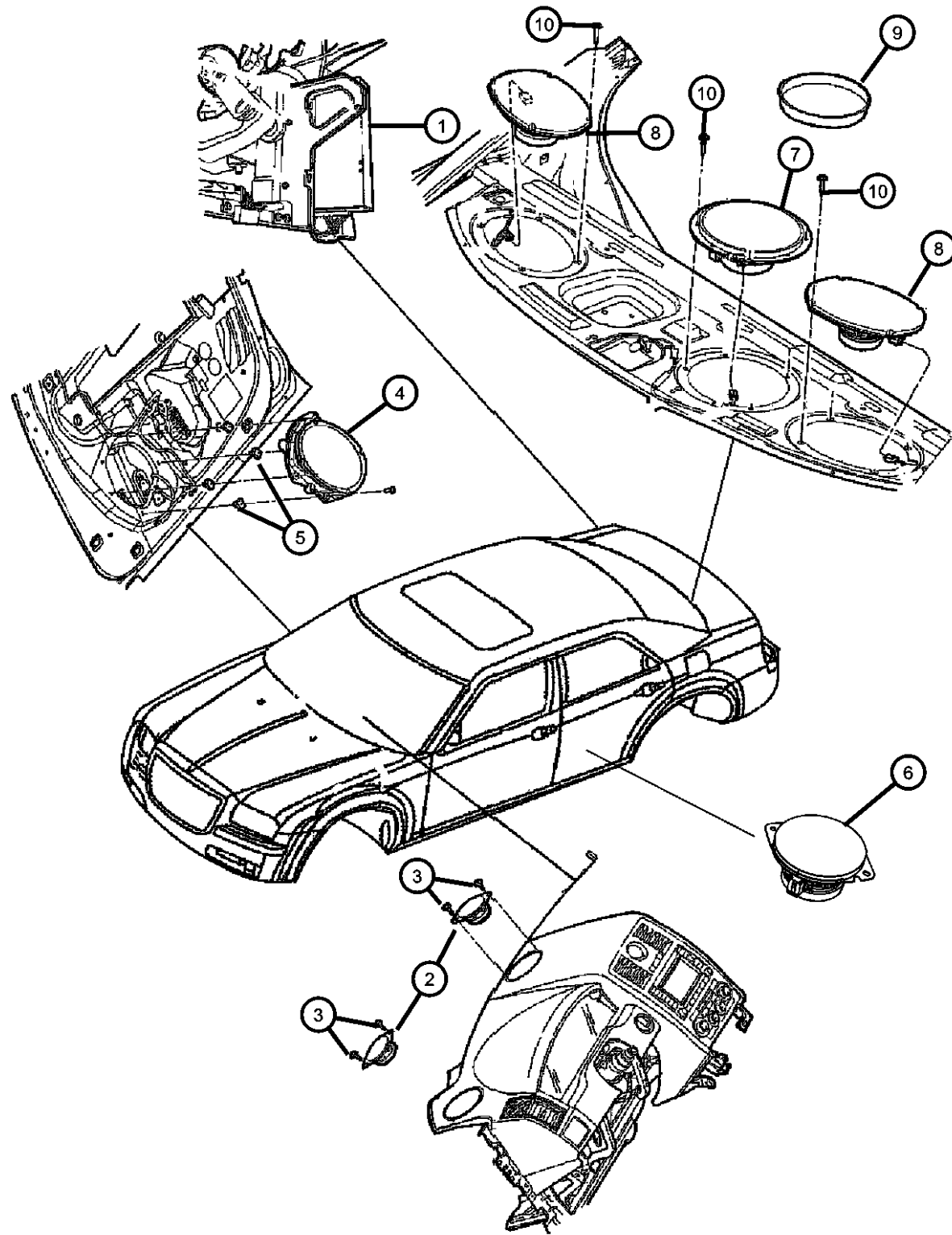
ENGINE
ERB = 3.XL Mid V6 Engine
EZH = 5.7L V8 HEMI MDS
VCT Engine

TRANSMISSION
DGJ = 5-Speed Auto W5A580
Transmission

AR = use ase required - = Non illustrated part

2011 LX

Speakers and Amplifiers
Figure 8-2220



ITEM	PART NUMBER	QTY	LINE	SERIES	BODY	ENGINE	TRANS	TRIM	DESCRIPTION
1	05064981AF	1	C, F, Z		48				AMPLIFIER [RD7] 8 Channel
	05064982AF	1	C, F, Z		48				[RFD] 12 channel
2	05059062AB	2	C, F, Z		48				SPEAKER, 3.5" [RCG]
	05064359AB	2	C, F, Z		48				
3		2							SCREW, (NOT SERVICED)
4	05091019AB	1	C, F, Z		48				SPEAKER, 6"X9" [RCG] Right Door
		1	C, F, Z		48				[RCG] Left Door
	05064358AB	1	C, F, Z		48				Right Door
		1	C, F, Z		48				Left Door
5	06508845AA	3	C, F, Z		48				NUT, Snap In
6	05064359AB	1	C, F, Z		48				SPEAKER, 3.5" Right Rear Door
		1	C, F, Z		48				Left Rear Door
7	05064983AB	1	C, F, Z		48				SPEAKER, Sub Woofer
8	05091019AB	1	C, F, Z		48				SPEAKER, 6"X9" [RCG] Left Rear Shelf
		1	C, F, Z		48				[RCG] Right Rear Shelf
	05064358AB	1	C, F, Z		48				Right Rear Shelf
		1	C, F, Z		48				Left Rear Shelf
9		1							PLUG, (NOT SERVICED),
10		1							SCREW, Tapping, M4.2x1.70x22, (NOT SERVICED)

MAGNUM/300/CHARGER (LX)

SERIES LINE
H = HIGHLINE C = CHRYSLER
P = PREMIUM F = EAGLE
S = SPORT

BODY
48 = SEDAN TYPE #8

ENGINE
ERB = 3.XL Mid V6 Engine
EZH = 5.7L V8 HEMI MDS
VCT Engine

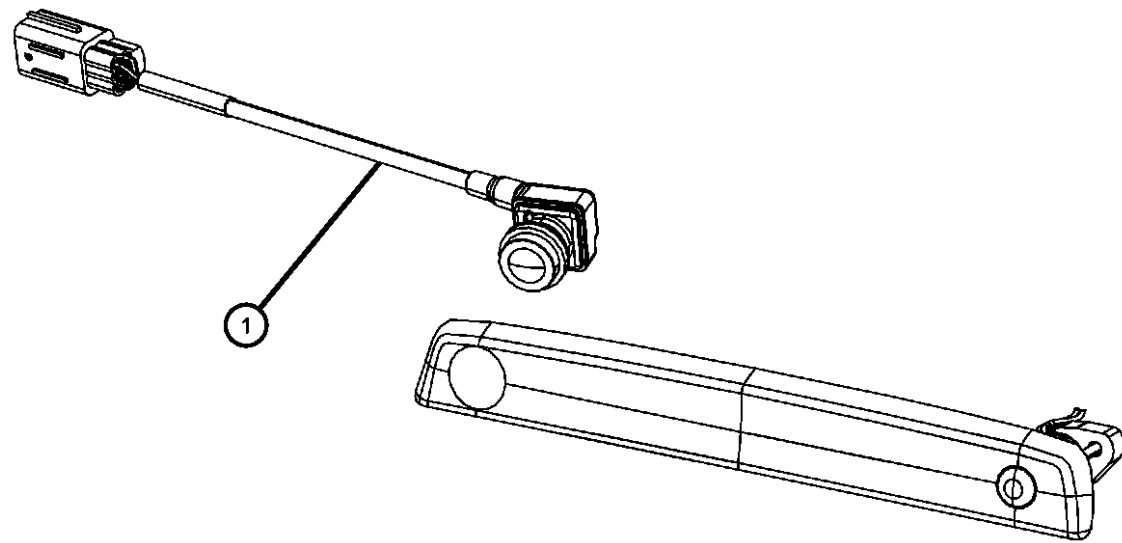
TRANSMISSION
DGJ = 5-Speed Auto W5A580
Transmission

AR = use ase required - = Non illustrated part

2011 LX

Rear Back Up Camera
Figure 8-2230

ITEM	PART NUMBER	QTY	LINE	SERIES	BODY	ENGINE	TRANS	TRIM	DESCRIPTION
1	56054058AD	1	C, F, Z		48				CAMERA



MAGNUM/300/CHARGER (LX)

SERIES LINE
H = HIGHLINE C = CHRYSLER
P = PREMIUM F = EAGLE
S = SPORT

BODY
48 = SEDAN TYPE #8

ENGINE
ERB = 3.XL Mid V6 Engine
EZH = 5.7L V8 HEMI MDS
VCT Engine

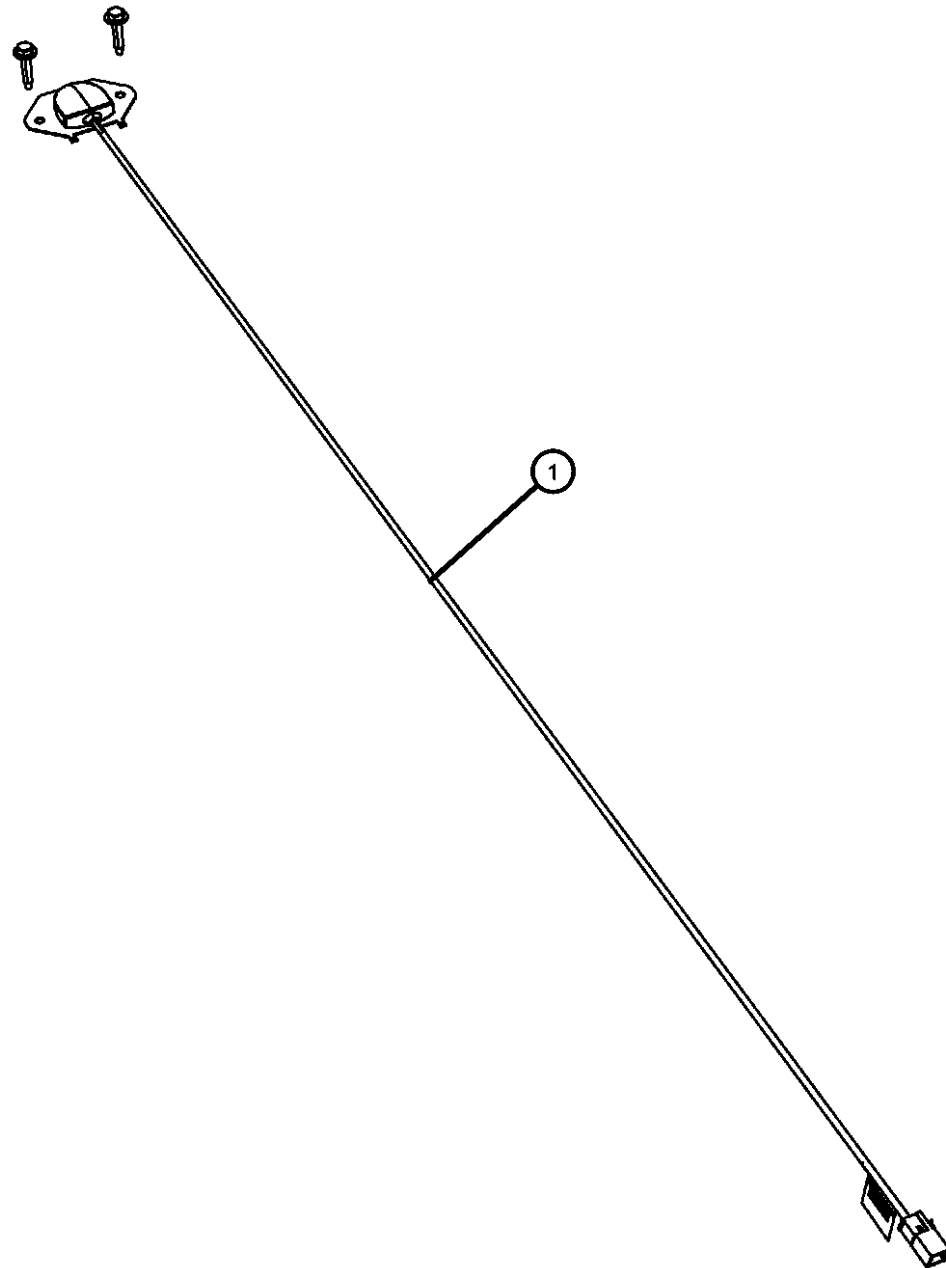
TRANSMISSION
DGJ = 5-Speed Auto W5A580
Transmission

AR = use ase required - = Non illustrated part

2011 LX

Navigation System
Figure 8-2405

ITEM	PART NUMBER	QTY	LINE	SERIES	BODY	ENGINE	TRANS	TRIM	DESCRIPTION
1	05064186AA	1	C, F, Z		48				ANTENNA, Global Positioning



MAGNUM/300/CHARGER (LX)

SERIES LINE
H = HIGHLINE C = CHRYSLER
P = PREMIUM F = EAGLE
S = SPORT

BODY
48 = SEDAN TYPE #8

ENGINE
ERB = 3.XL Mid V6 Engine
EZH = 5.7L V8 HEMI MDS
VCT Engine

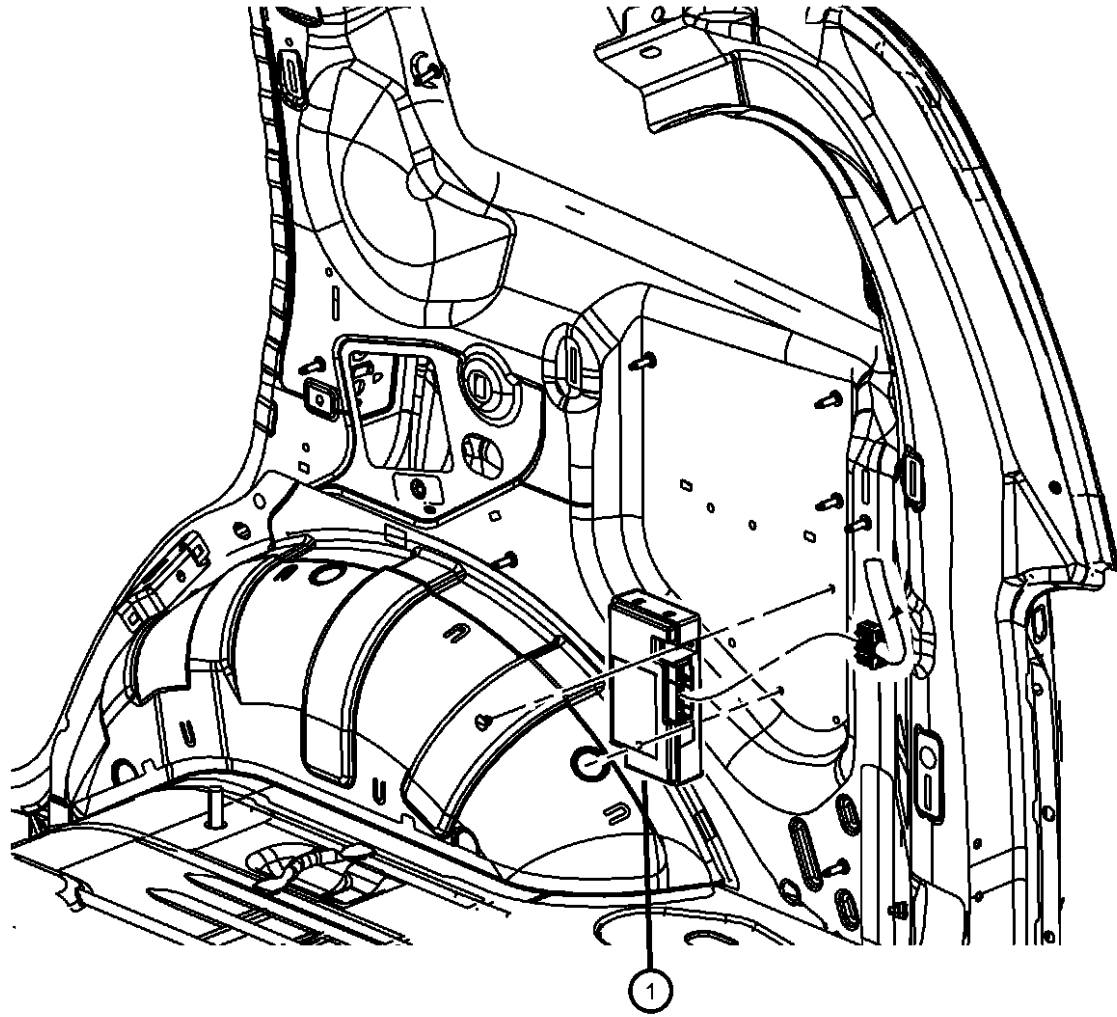
TRANSMISSION
DGJ = 5-Speed Auto W5A580
Transmission

AR = use ase required - = Non illustrated part

2011 LX

Telecommunications
Figure 8-2505

ITEM	PART NUMBER	QTY	LINE	SERIES	BODY	ENGINE	TRANS	TRIM	DESCRIPTION
1									MODULE, Telematics
	05064986AG	1	C, F, Z		48				[RSP]
	05064987AG	1	C, F, Z		48				[RSQ]



MAGNUM/300/CHARGER (LX)

SERIES LINE
H = HIGHLINE C = CHRYSLER
P = PREMIUM F = EAGLE
S = SPORT

BODY
48 = SEDAN TYPE #8

ENGINE
ERB = 3.0L Mid V6 Engine
EZH = 5.7L V8 HEMI MDS
VCT Engine

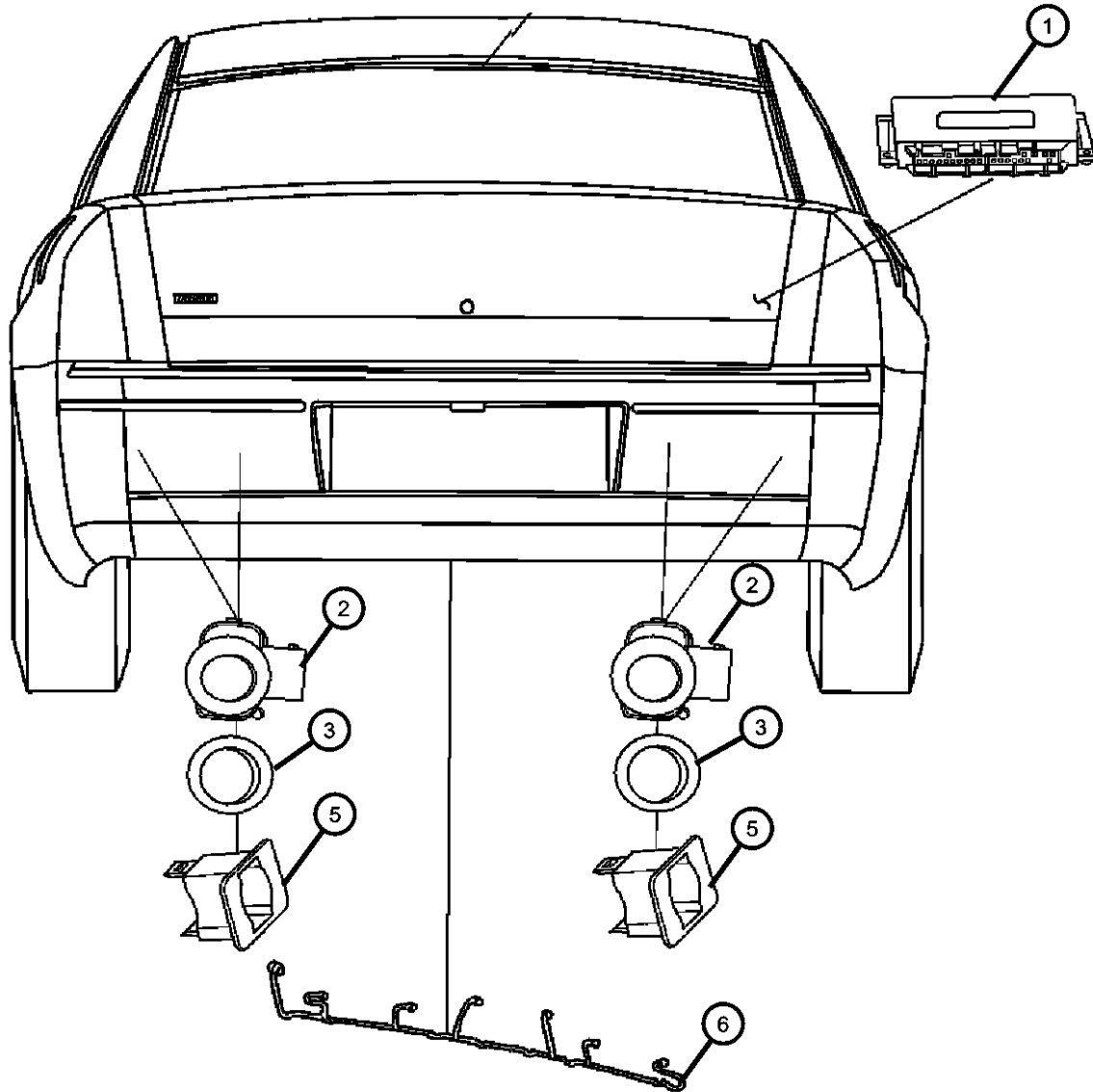
TRANSMISSION
DGJ = 5-Speed Auto W5A580
Transmission

AR = use ase required - = Non illustrated part

2011 LX

**Park Assist
Figure 8-2605**

ITEM	PART NUMBER	QTY	LINE	SERIES	BODY	ENGINE	TRANS	TRIM	DESCRIPTION
1	56054122AC	1	C, F, Z		48				MODULE, Parking Assist
2	1EW63TZZAA	4	C, F, Z		48				SENSOR, Park Assist
3	04806474AA	6	C, F, Z		48				RING, Decoupler, RPA Sensor
-4	04806229AA	6	C, F, Z		48				ISOLATOR, Back Up Sensor
5		6							BRACKET, Parking Assist, Park Assist Sensor, (NOT SERVICED)
6	68127955AA	1	C, F, Z		48				WIRING, Rear Fascia, [XAG]



MAGNUM/300/CHARGER (LX)

SERIES LINE
H = HIGHLINE C = CHRYSLER
P = PREMIUM F = EAGLE
S = SPORT

BODY
48 = SEDAN TYPE #8

ENGINE
ERB = 3.0L Mid V6 Engine
EZH = 5.7L V8 HEMI MDS
VCT Engine

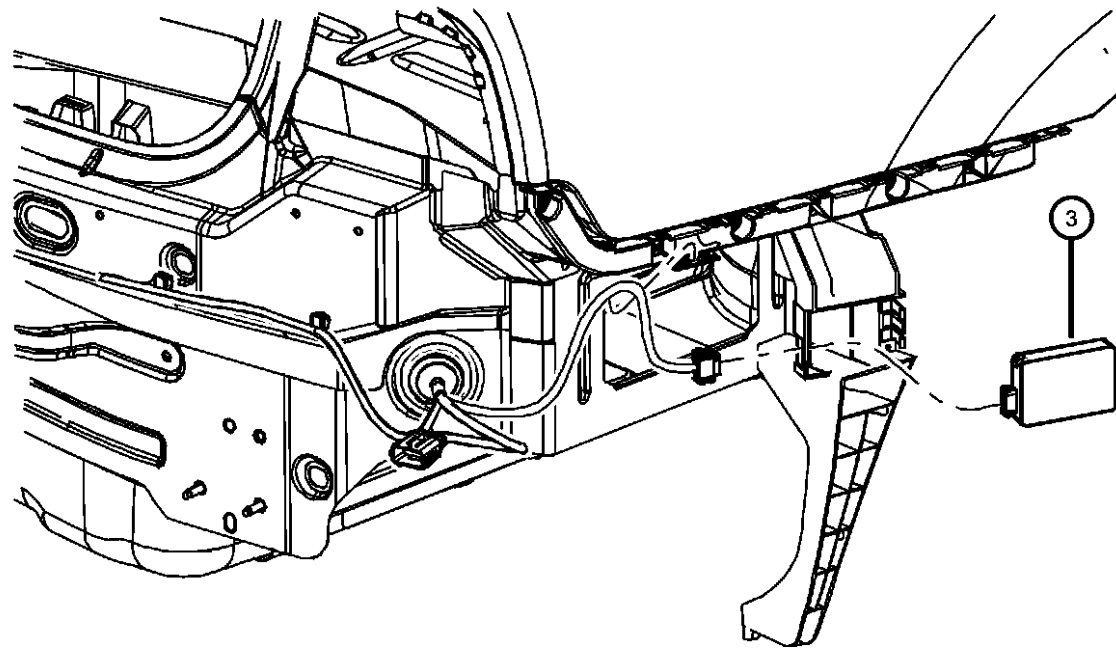
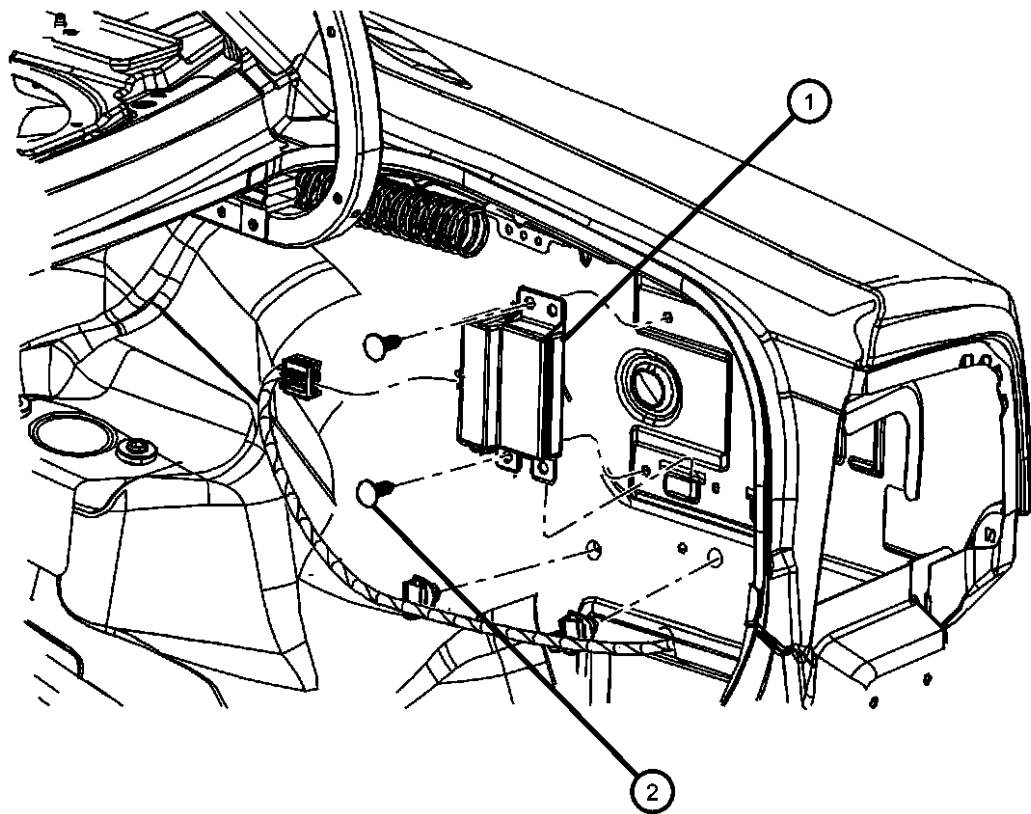
TRANSMISSION
DGJ = 5-Speed Auto W5A580
Transmission

AR = use ase required - = Non illustrated part

2011 LX

**Blind Spot Detection
Figure 8-2610**

ITEM	PART NUMBER	QTY	LINE	SERIES	BODY	ENGINE	TRANS	TRIM	DESCRIPTION
1	56038903AC	1	C, F, Z		48				MODULE, BLIND SPOT DETECTION
2	06509590AA	2	C, F, Z		48				PIN, Push
3	56038942AA	2	C, F, Z		48				SENSOR, Blind Spot Detection



MAGNUM/300/CHARGER (LX)

SERIES LINE
H = HIGHLINE C = CHRYSLER
P = PREMIUM F = EAGLE
S = SPORT

BODY
48 = SEDAN TYPE #8

ENGINE
ERB = 3.0L Mid V6 Engine
EZH = 5.7L V8 HEMI MDS
VCT Engine

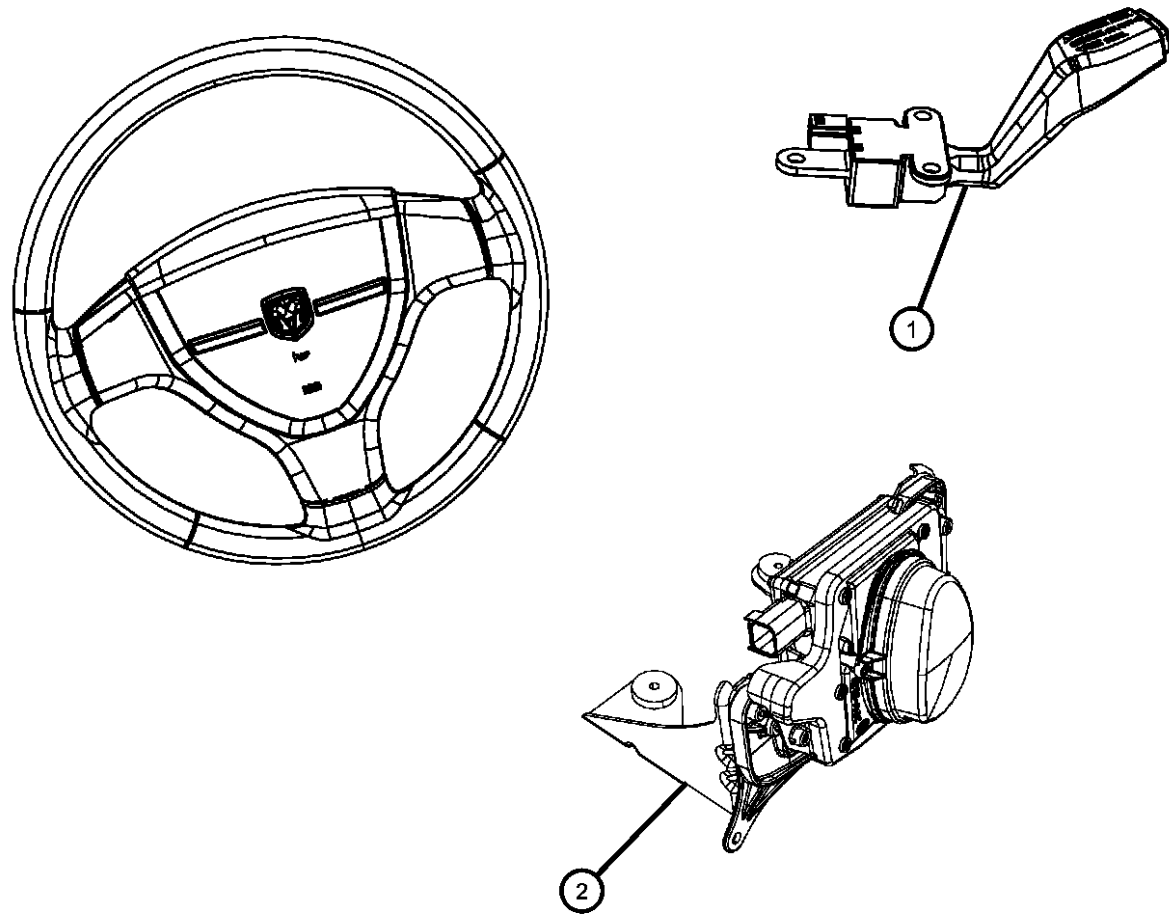
TRANSMISSION
DGJ = 5-Speed Auto W5A580
Transmission

AR = use ase required - = Non illustrated part

2011 LX

Speed Control
Figure 8-2705

ITEM	PART NUMBER	QTY	LINE	SERIES	BODY	ENGINE	TRANS	TRIM	DESCRIPTION
1	56046254AC	1	C, F, Z		48				SWITCH, Speed Control [NHP]
	56046252AC	1	C, F, Z		48				[NHM]
2	56054169AD	1	C, F, Z		48				SENSOR AND BRACKET, Adaptive Speed Control Module



MAGNUM/300/CHARGER (LX)

SERIES LINE
H = HIGHLINE C = CHRYSLER
P = PREMIUM F = EAGLE
S = SPORT

BODY
48 = SEDAN TYPE #8

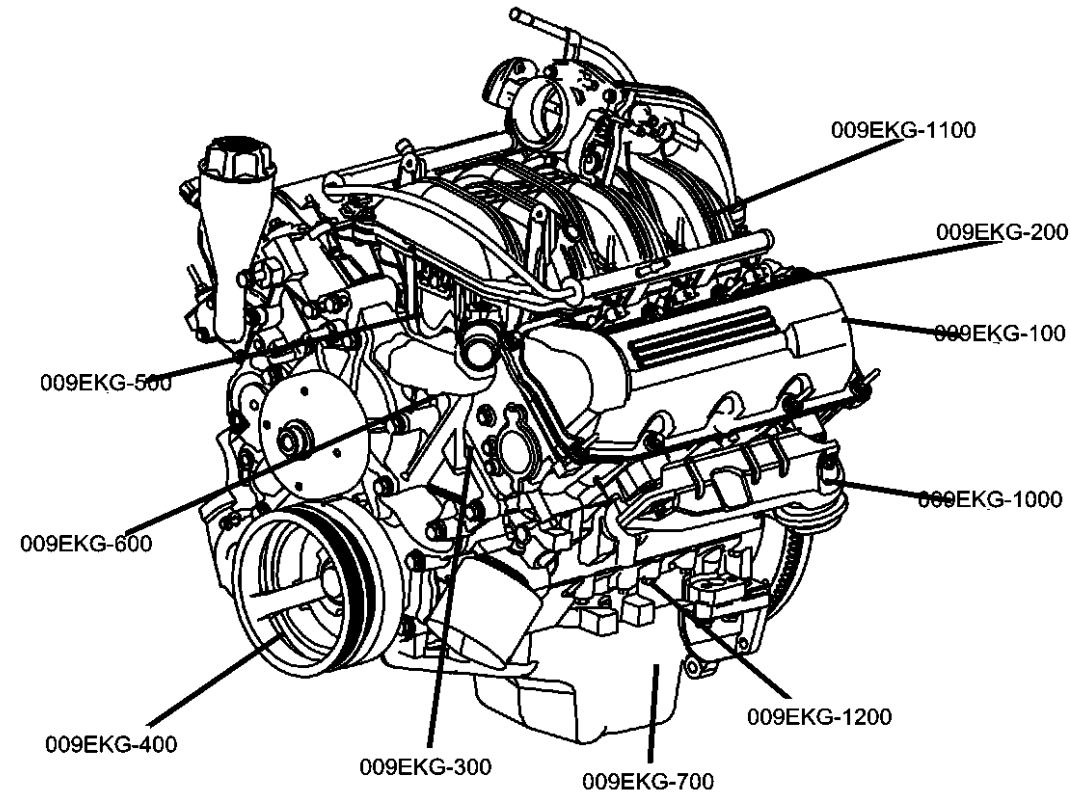
ENGINE
ERB = 3.XL Mid V6 Engine
EZH = 5.7L V8 HEMI MDS
VCT Engine

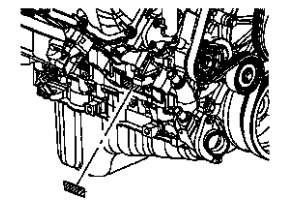
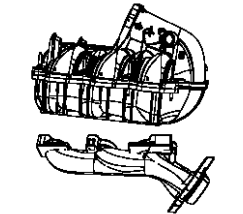

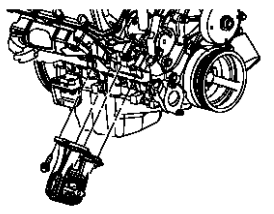
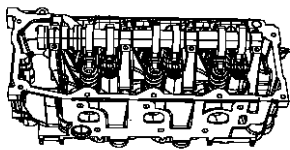
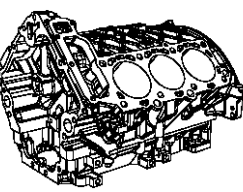
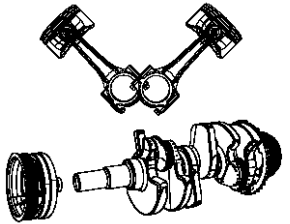
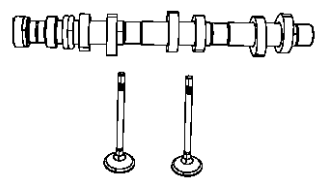
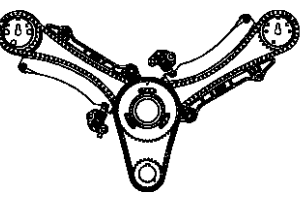
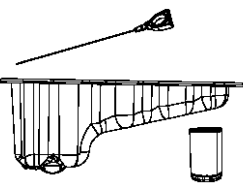
TRANSMISSION
DGJ = 5-Speed Auto W5A580
Transmission

AR = use ase required - = Non illustrated part

Group - 009ERB

3.6L Gas; Engine



<p>009ERB-100 Engine Identification</p> 	<p>009ERB-1000 Manifolds and Vacuum Fittings</p> 	<p>009ERB-1100 Crankcase Ventilation</p> 	<p>009ERB-1200 Engine Mounting</p> 
<p>009ERB-200 Cylinder Head</p> 	<p>009ERB-300 Cylinder Block</p> 	<p>009ERB-400 Crankshaft, Piston, Drive Plate, Flywheel, and Damper</p> 	<p>009ERB-500 Camshaft and Valve</p> 
<p>009ERB-600 Timing Belt/Chain and Cover and Balance Shaft</p> 	<p>009ERB-700 Engine Oiling, Oil Pan and Indicator (Dipstick)</p> 		

Group - 009ERB 3.6L Gas; Engine

Illustration Title	Group-Fig. No.
Engine Identification	
Engine Identification 3.6L [ERB]	Fig. 009ERB - 105
Engine Assembly 3.6L [ERB].....	Fig. 009ERB - 115
Engine Cover And Related Parts 3.6L [ERB]	Fig. 009ERB - 125
Engine Gasket Kits 3.6L [ERB].....	Fig. 009ERB - 145
Cylinder Head	
Cylinder Head Covers 3.6L [ERB]	Fig. 009ERB - 205
Cylinder Heads 3.6L [ERB].....	Fig. 009ERB - 225
Cylinder Block	
Cylinder Block And Hardware 3.6L [ERB].....	Fig. 009ERB - 305
Engine Cylinder Block Heater 3.6L [ERB].....	Fig. 009ERB - 325
Crankshaft, Piston, Drive Plate, Flywheel, and Damper	
Crankshaft, Crankshaft Bearings, Damper And Flywheel 3.6L [ERB].....	Fig. 009ERB - 405
Piston, Piston Rings, Connecting Rods And Connecting Rod Bearings 3.6L [ERB]	Fig. 009ERB - 425
Camshaft and Valve	
Camshafts And Valvetrain 3.6L [ERB].....	Fig. 009ERB - 505
Timing Belt/Chain and Cover and Balance Shaft	
Timing Case Cover 3.6L [ERB]	Fig. 009ERB - 605
Timing System 3.6L [ERB]	Fig. 009ERB - 625
Engine Oiling, Oil Pan and Indicator (Dipstick)	
Engine Oil Pump 3.6L [ERB]	Fig. 009ERB - 705
Engine Oil Pan, Engine Oil Level Indicator & Related Parts 3.6L [ERB].....	Fig. 009ERB - 725
Engine Oil, Engine Oil Filter Adapter With/Without Oil Cooler 3.6L [ERB].....	Fig. 009ERB - 775
Manifolds and Vacuum Fittings	
Intake Manifold Plenum 3.6L [ERB].....	Fig. 009ERB - 1005
Lower Intake Manifold 3.6L [ERB]	Fig. 009ERB - 1065
Crankcase Ventilation	
Crankcase Ventilation 3.6L [ERB].....	Fig. 009ERB - 1105
Engine Mounting	
Engine Mounting Right Side RWD/2WD 3.6L [ERB]	Fig. 009ERB - 1220
Engine Mounting Left Side RWD/2WD 3.6L [ERB].....	Fig. 009ERB - 1235

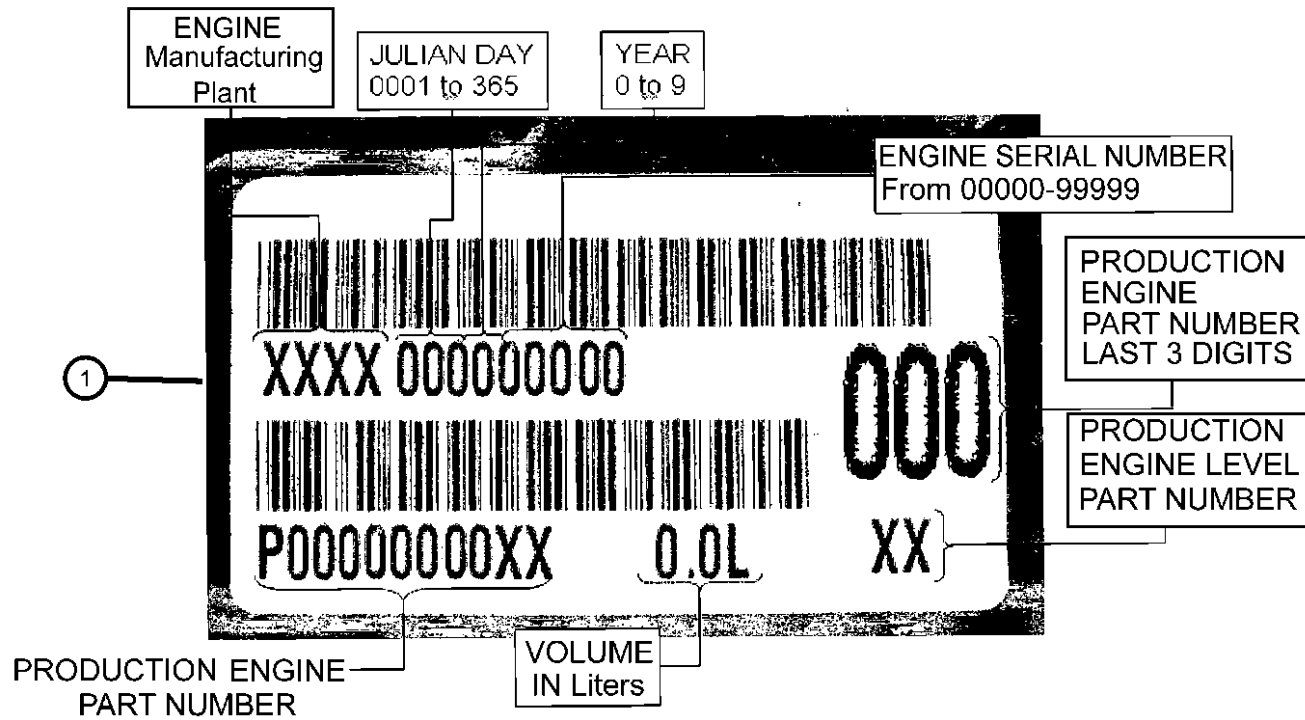
**Engine Identification 3.6L [ERB]
Figure 009ERB-105**

ITEM	PART NUMBER	QTY	LINE	SERIES	BODY	ENGINE	TRANS	TRIM	DESCRIPTION
------	-------------	-----	------	--------	------	--------	-------	------	-------------

The Engine Identification Label Is Attached To One Of The Cylinder Head Covers.
The Production Engine Part Number Is Not A Servicable Part Number.
A Engine Is Usally Serviced By A Long Block Or Short Block Engine.

1 1

LABEL, Engine Identification, See Note:, (NOT SERVICED)



MAGNUM/300/CHARGER (LX)

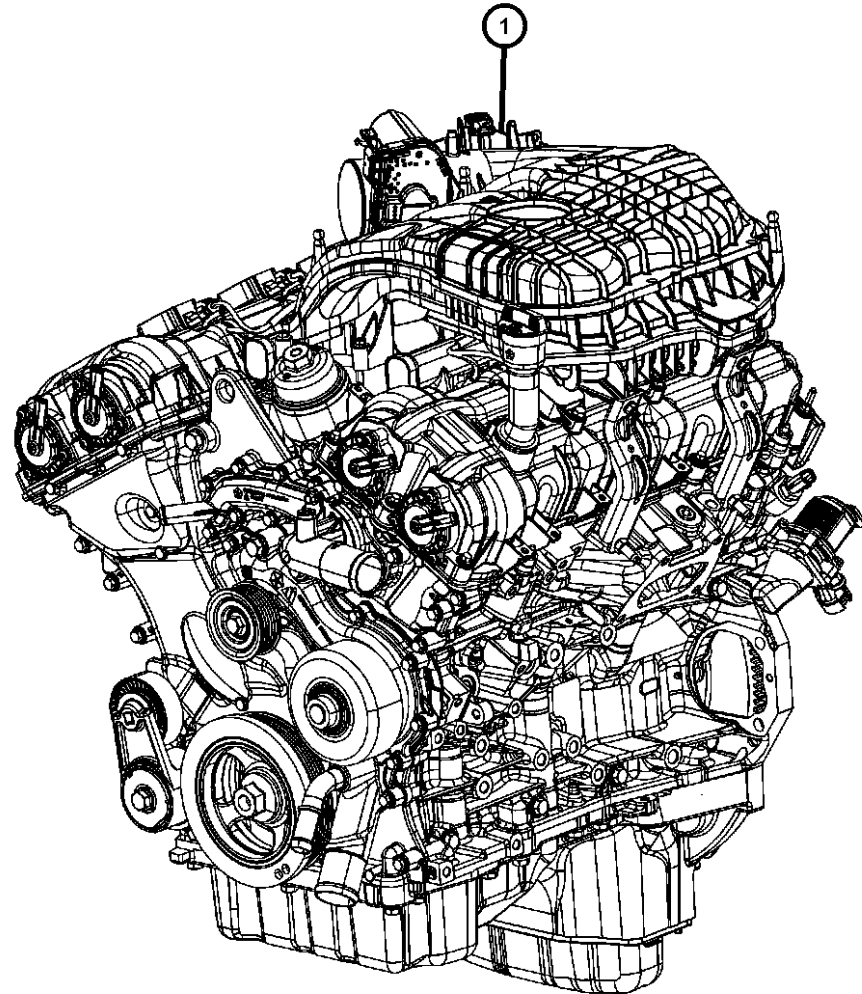
SERIES	LINE	BODY	ENGINE	TRANSMISSION
H = HIGHLINE	C = CHRYSLER	48 = SEDAN TYPE #8	ERB = 3.XL Mid V6 Engine	DGJ = 5-Speed Auto W5A580
P = PREMIUM	F = EAGLE		EZH = 5.7L V8 HEMI MDS	Transmission
S = SPORT			VCT Engine	

AR = use ase required - = Non illustrated part

2011 LX

**Engine Assembly 3.6L [ERB]
Figure 009ERB-115**

ITEM	PART NUMBER	QTY	LINE	SERIES	BODY	ENGINE	TRANS	TRIM	DESCRIPTION
1		1							ENGINE, Complete, (NOT SERVICED)



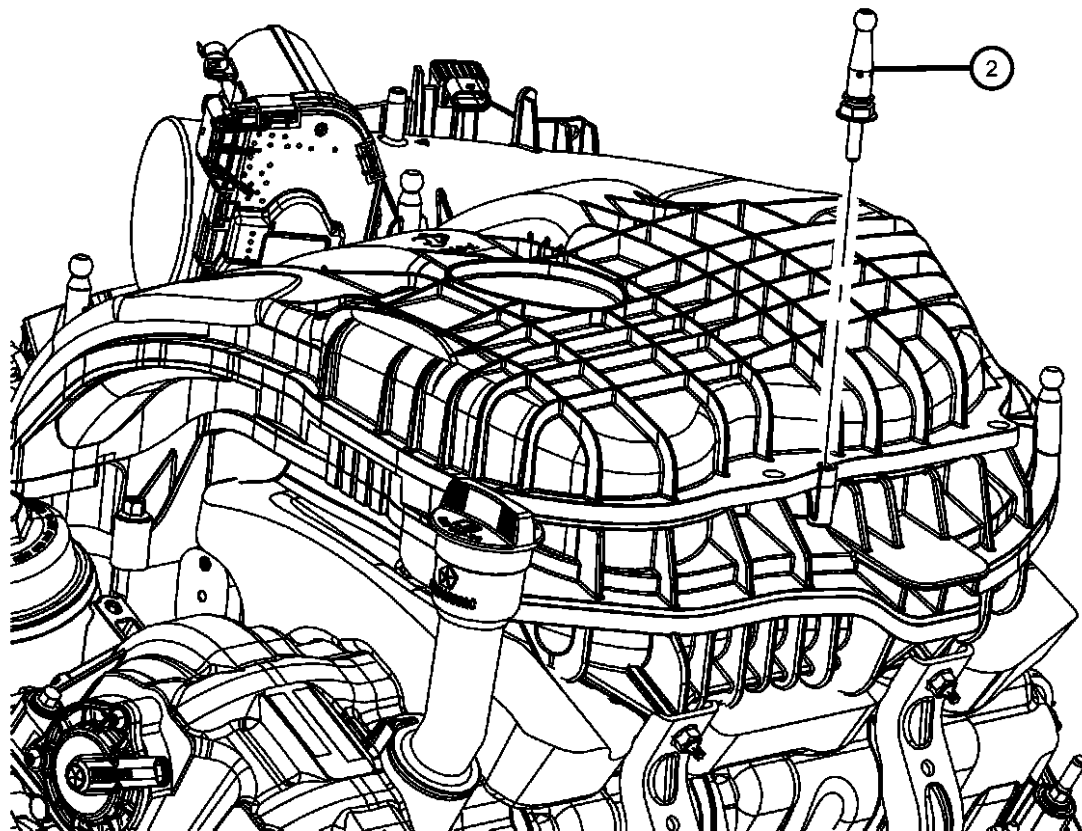
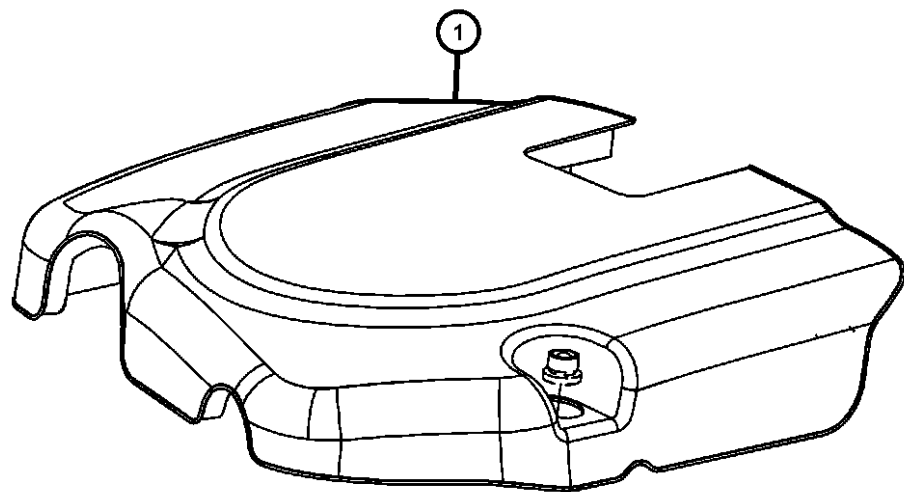
MAGNUM/300/CHARGER (LX)

SERIES	LINE	BODY	ENGINE	TRANSMISSION
H = HIGHLINE	C = CHRYSLER	48 = SEDAN TYPE #8	ERB = 3.6L Mid V6 Engine	DGJ = 5-Speed Auto W5A580
P = PREMIUM	F = EAGLE		EZH = 5.7L V8 HEMI MDS	Transmission
S = SPORT			VCT Engine	

AR = use ase required - = Non illustrated part

**Engine Cover And Related Parts 3.6L [ERB]
Figure 009ERB-125**

ITEM	PART NUMBER	QTY	LINE	SERIES	BODY	ENGINE	TRANS	TRIM	DESCRIPTION
1	04593903AD	1	C, F, Z			ERB			COVER, Engine
2		1							BALL STUD, 60X2.14X21.59, (NOT SERVICED)

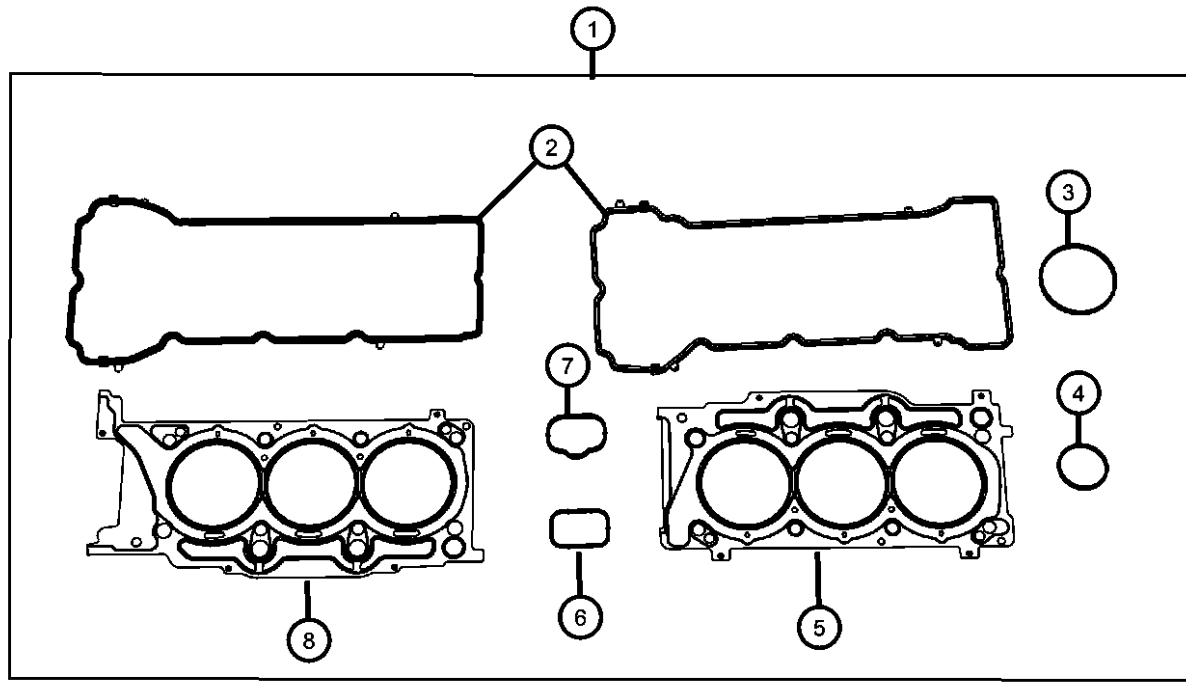


MAGNUM/300/CHARGER (LX)

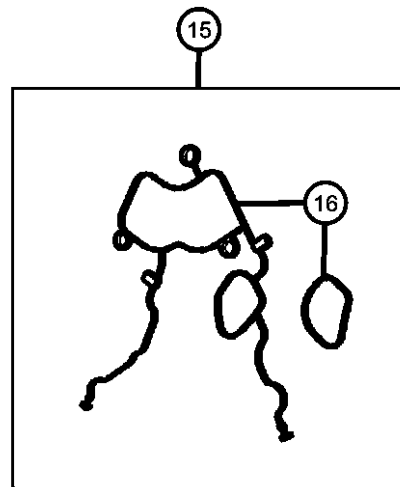
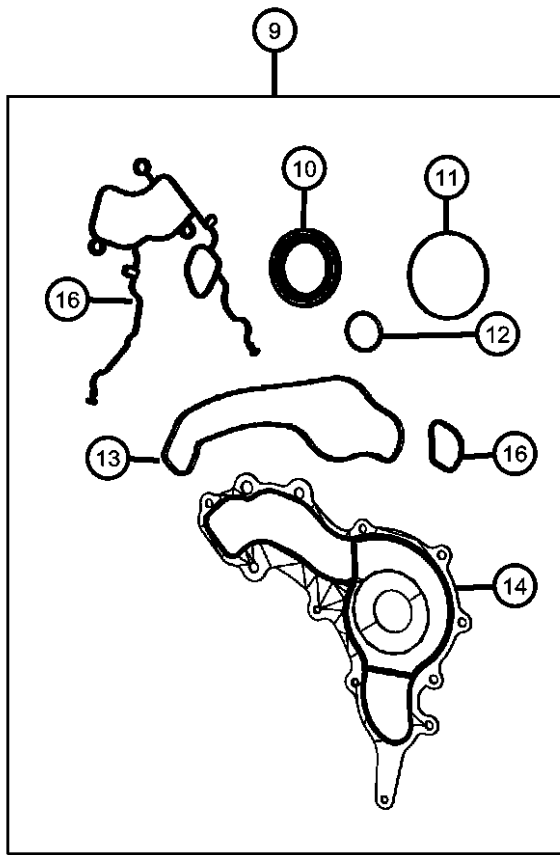
SERIES	LINE	BODY	ENGINE	TRANSMISSION
H = HIGHLINE	C = CHRYSLER	48 = SEDAN TYPE #8	ERB = 3.XL Mid V6 Engine	DGJ = 5-Speed Auto W5A580
P = PREMIUM	F = EAGLE		EZH = 5.7L V8 HEMI MDS	Transmission
S = SPORT			VCT Engine	

AR = use ase required - = Non illustrated part

**Engine Gasket Kits 3.6L [ERB]
Figure 009ERB-145**



ITEM	PART NUMBER	QTY	LINE	SERIES	BODY	ENGINE	TRANS	TRIM	DESCRIPTION
1	68078540AA	1	C, Z			ERB	DGJ		GASKET KIT, Engine, Upper
2									GASKET, Cylinder head Cover
	05184595AE	1	C, F, Z			ERB			Right Side
	05184596AE	1	C, F, Z			ERB			Left Side
3	53032763AA	1	C, F, Z			ERB			GASKET, Throttle Body
4									SEAL
	05184855AB	2	C, F, Z			ERB			Right Side, Cylinder Head Cover
		2	C, F, Z			ERB			Left Side, Cylinder Head Cover
5	05184456AG	1	C, F, Z			ERB			GASKET, Cylinder Head, Right
6	05184562AC	6	C, F, Z			ERB			GASKET, Intake Plenum
7	05184331AC	6	C, F, Z			ERB			GASKET, Intake Manifold
8	05184455AG	1	C, F, Z			ERB			GASKET, Cylinder Head, Left
9	68078554AC	1	C, Z			ERB	DGJ		GASKET KIT, Engine, Lower
10	68079589AA	1	C, F, Z			ERB			SEAL, Crankshaft Oil, Front
11	05184894AA	1	C, F, Z			ERB			SEAL, Thermostat
12	05184908AA	1	C, Z			ERB			O RINGOil Pickup Tube
13	05184454AE	1	C, F, Z			ERB			GASKET, Crossover Water Outlet
14	68087340AA	1	C, F, Z			ERB			GASKET, Water Pump
15	68078604AA	1	C, F, Z			ERB			GASKET KIT, Chain Case Cover
16		1							GASKET, Chain Case Cover, Serviced In Item 9 or 15, (NOT SERVICED)



MAGNUM/300/CHARGER (LX)

SERIES LINE
H = HIGHLINE C = CHRYSLER
P = PREMIUM F = EAGLE
S = SPORT

BODY
48 = SEDAN TYPE #8

ENGINE
ERB = 3.XL Mid V6 Engine
EZH = 5.7L V8 HEMI MDS
VCT Engine

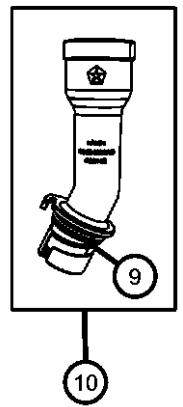
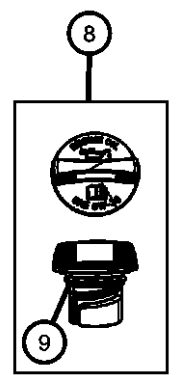
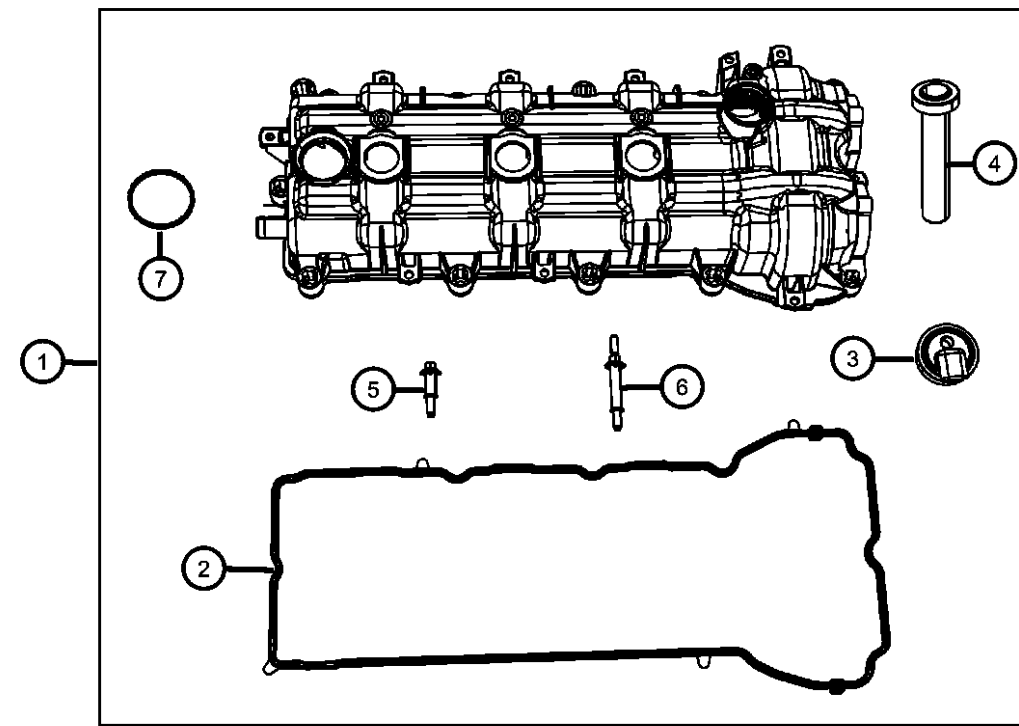
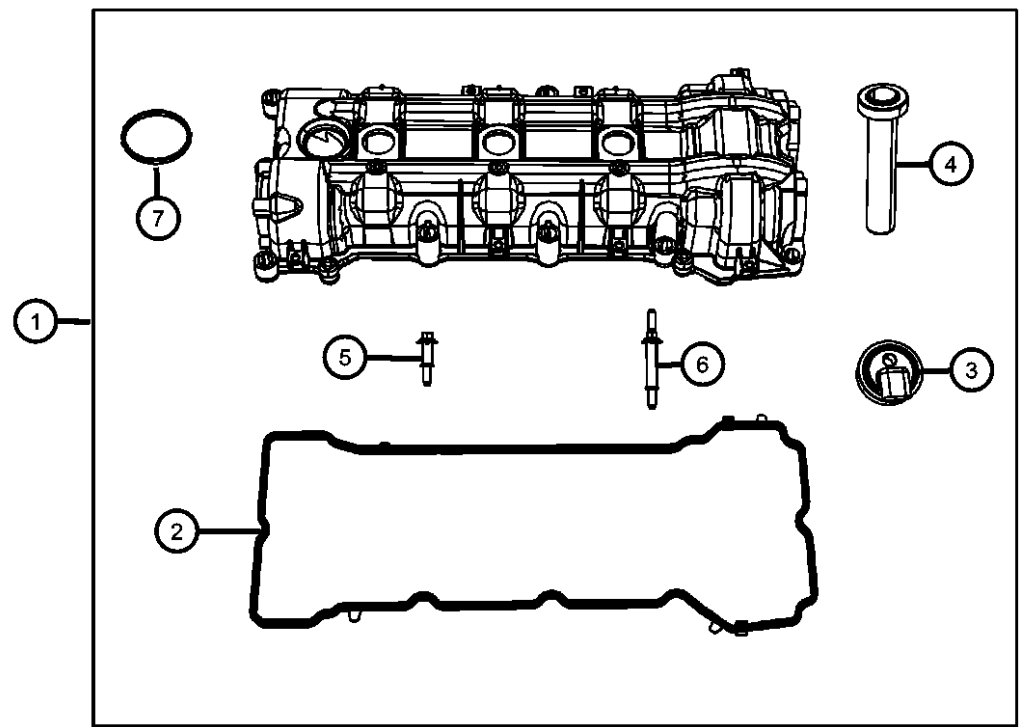
TRANSMISSION
DGJ = 5-Speed Auto W5A580
Transmission

AR = use ase required - = Non illustrated part

2011 LX

**Cylinder Head Covers 3.6L [ERB]
Figure 009ERB-205**

ITEM	PART NUMBER	QTY	LINE	SERIES	BODY	ENGINE	TRANS	TRIM	DESCRIPTION
1	05184068AI	1	C, F, Z			ERB			COVER, Cylinder Head Right Side
	05184069AI	1	C, F, Z			ERB			Left Side
2	05184595AE	1	C, F, Z			ERB			GASKET, Cylinder head Cover Right Side
	05184596AE	1	C, F, Z			ERB			Left Side
3	05184772AB	1	C, F, Z			ERB			SEAL, Camshaft Sensor Right Side
		1	C, F, Z			ERB			Left Side
4	05184778AB	3	C, F, Z			ERB			GASKET, Spark Plug Well Right Side
		3	C, F, Z			ERB			Left Side
5	06509451AA	9	C, F, Z			ERB			BOLT, Hex Flange Head, M6X1.00X37.00 Cylinder Head Cover to Cylinder Head, Mounting Right Side
		10	C, F, Z			ERB			Cylinder Head Cover to Cylinder Head, Mounting Left Side
6	06509450AA	3	C, F, Z			ERB			STUD, Double Ended, M6-1.00X79.70 Cylinder Head Cover to Cylinder Head, Mounting Right Side
		2	C, F, Z			ERB			Cylinder Head Cover to Cylinder Head, Mounting Left Side
7	05184855AB	2	C, F, Z			ERB			SEAL Right Side
		2	C, F, Z			ERB			Left Side
8	68068533AA	1	C, F, Z			ERB			CAP, Oil Filler
9		1							O RING, Oil Filler Cap, Serviced With Oil Fill Cap, (NOT SERVICED)
10	68051838AC	1	C, F, Z			ERB			TUBE, Oil Filler

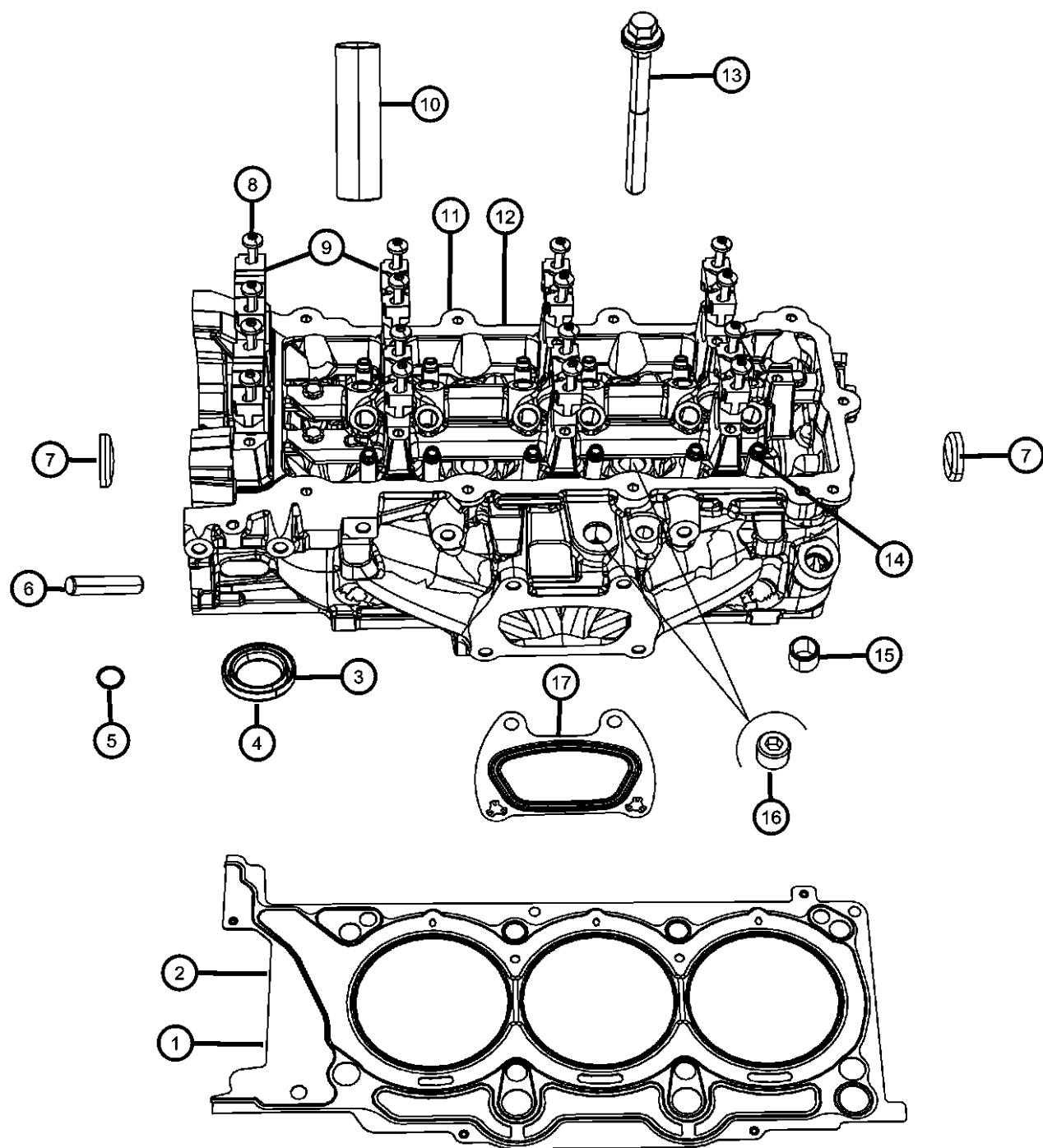


MAGNUM/300/CHARGER (LX)

SERIES	LINE	BODY	ENGINE	TRANSMISSION
H = HIGHLINE P = PREMIUM S = SPORT	C = CHRYSLER F = EAGLE	48 = SEDAN TYPE #8	ERB = 3.XL Mid V6 Engine EZH = 5.7L V8 HEMI MDS VCT Engine	DGJ = 5-Speed Auto W5A580 Transmission

AR = use ase required - = Non illustrated part

**Cylinder Heads 3.6L [ERB]
Figure 009ERB-225**



ITEM	PART NUMBER	QTY	LINE	SERIES	BODY	ENGINE	TRANS	TRIM	DESCRIPTION
1	05184456AG	1	C, F, Z			ERB			GASKET, Cylinder Head, Right
2	05184455AG	1	C, F, Z			ERB			GASKET, Cylinder Head, Left
3		1							SEAT, Exhaust Valve, Serviced With Cylinder Head, (NOT SERVICED)
4		1							SEAT, Intake Valve, Serviced With Cylinder Head, (NOT SERVICED)
5	1601110000	1	C, F, Z			ERB			BALL, Main Oil Gallery
6		1							PIN, Serviced With Cylinder Head, (NOT SERVICED)
7									PLUG, Core, 1.25 Diameter
	04556020AB	1	C, F, Z			ERB			Right Cylinder Head
		1	C, F, Z			ERB			Left Cylinder Head
8									SCREW, Pan Head
	06509455AA	16	C, F, Z			ERB			Camshaft Bearing Cap to Cylinder Head, Mounting Right Side
		16	C, F, Z			ERB			Camshaft Bearing Cap to Cylinder Head, Mounting Left Side
9		16							CAP, Camshaft Bearing, Serviced With Cylinder Head, (NOT SERVICED),
10	05184436AD	6	C, F, Z			ERB			TUBE, Spark Plug
11	05184516AG	1	C, F, Z			ERB			HEAD, Cylinder, Right Includes : Valve Seats, Valve Guides, Camshaft Bearing Caps, Freeze Plugs, Pipe Plugs, Main Oil Gallery Ball Bearings, Camshaft Cap Bolts, Timing Chain Guide Dowel Pin
	RL184516AH	1				ERB			Includes : Valve Seats, Valve Guides, Camshaft Bearing Caps, Freeze Plugs, Pipe Plugs, Main Oil Gallery Ball Bearings, Camshaft Cap Bolts, Timing Chain Guide Dowel Pin
12	05184451AG	1	C, F, Z			ERB			HEAD, Cylinder, Left Includes : Valve Seats, Valve Guides, Camshaft Bearing Caps, Freeze Plugs, Pipe Plugs, Main Oil Gallery Ball Bearings, Camshaft Cap Bolts

MAGNUM/300/CHARGER (LX)
 SERIES LINE
 H = HIGHLINE C = CHRYSLER
 P = PREMIUM F = EAGLE
 S = SPORT

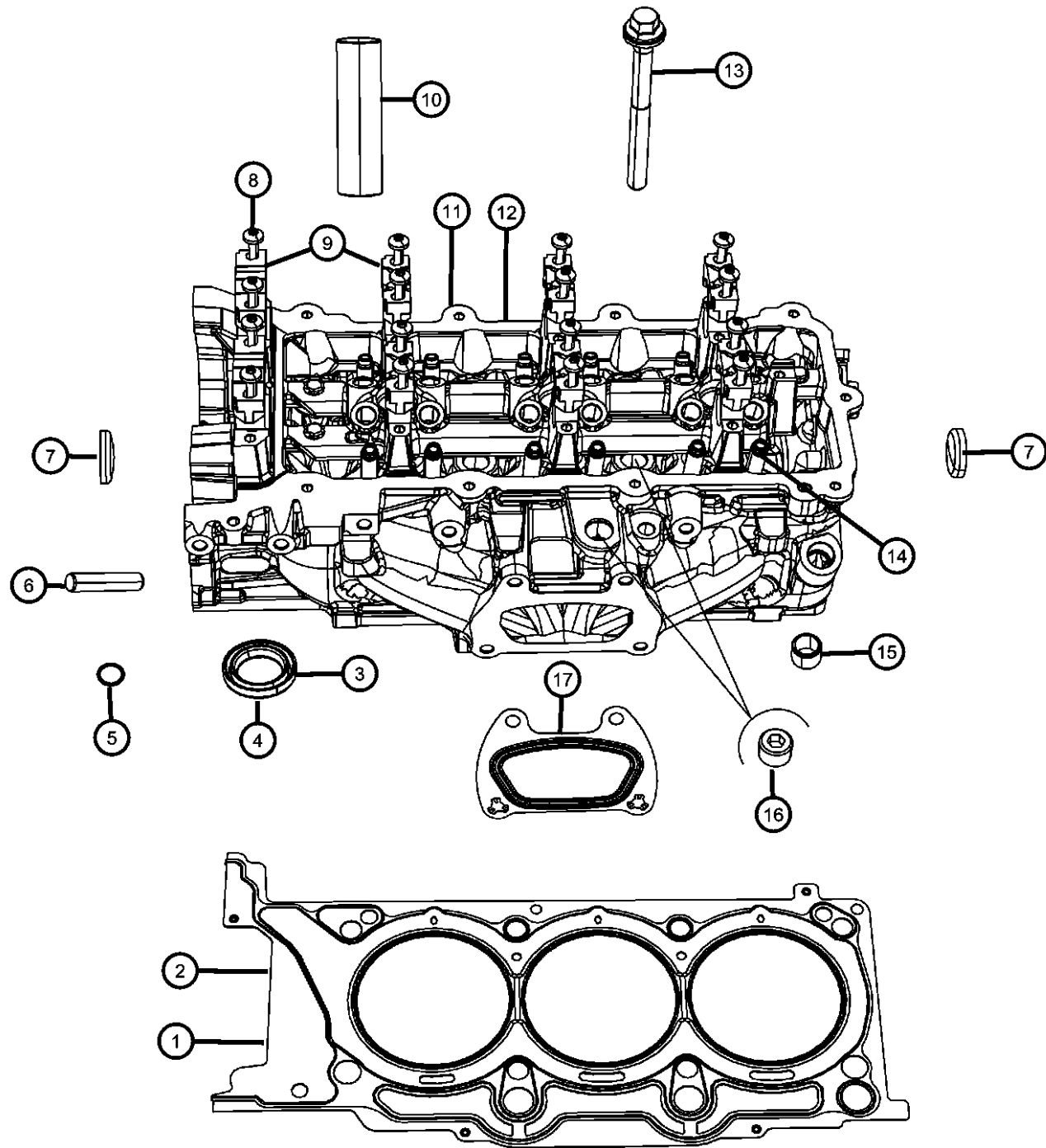
BODY
 48 = SEDAN TYPE #8

ENGINE
 ERB = 3.XL Mid V6 Engine
 EZH = 5.7L V8 HEMI MDS
 VCT Engine

TRANSMISSION
 DGJ = 5-Speed Auto W5A580
 Transmission

AR = use ase required - = Non illustrated part

**Cylinder Heads 3.6L [ERB]
Figure 009ERB-225**



ITEM	PART NUMBER	QTY	LINE	SERIES	BODY	ENGINE	TRANS	TRIM	DESCRIPTION
	RL184451AH	1				ERB			Includes : Valve Seats, Valve Guides, Camshaft Bearing Caps, Freeze Plugs, Pipe Plugs, Main Oil Gallery Ball Bearings, Camshaft Cap Bolts
13	06509564AA	16	C, F, Z			ERB			BOLT AND WASHER, Hex Head, Cylinder Head To Cylinder Block, Mounting
14		16							GUIDE, Valve, Serviced With Cylinder Head, (NOT SERVICED)
15	05240849	4	C, F, Z			ERB			DOWEL PIN, Cylinder Head To Cylinder Block, Mounting
16	06036308AA	3	C, F, Z			ERB			PLUG, Core
		3	C, F, Z			ERB			Right Cylinder Head
		3	C, F, Z			ERB			Left Cylinder Head
17	05184214AE	2	C, F, Z			ERB			GASKET, Exhaust Manifold

MAGNUM/300/CHARGER (LX)

SERIES LINE
H = HIGHLINE C = CHRYSLER
P = PREMIUM F = EAGLE
S = SPORT

BODY
48 = SEDAN TYPE #8

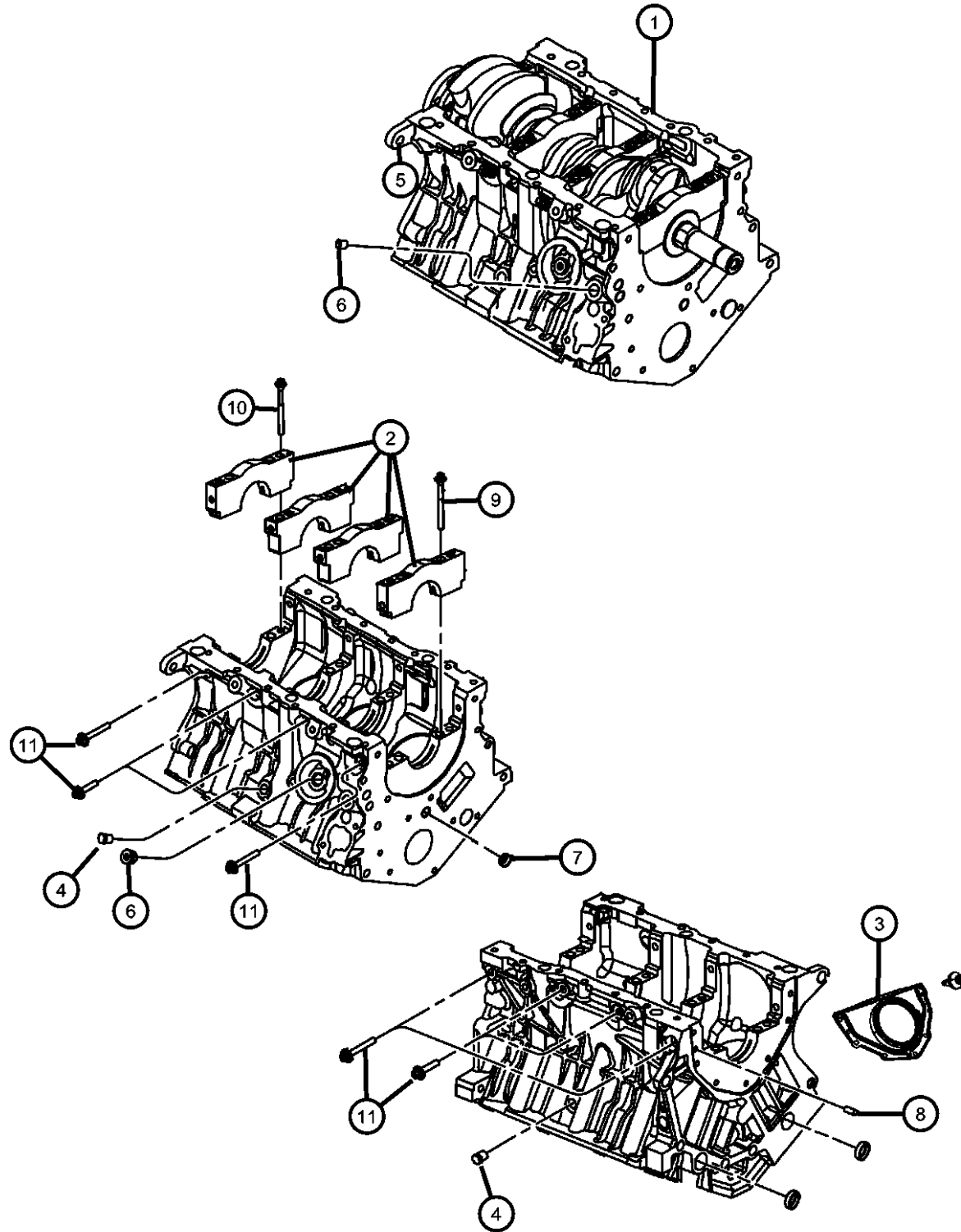
ENGINE
ERB = 3.XL Mid V6 Engine
EZH = 5.7L V8 HEMI MDS
VCT Engine

TRANSMISSION
DGJ = 5-Speed Auto W5A580
Transmission

AR = use ase required - = Non illustrated part

2011 LX

**Cylinder Block And Hardware 3.6L [ERB]
Figure 009ERB-305**



ITEM	PART NUMBER	QTY	LINE	SERIES	BODY	ENGINE	TRANS	TRIM	DESCRIPTION
Short Block Engine Contains All Lower Parts, Crankshaft, Pistons ETC. It does NOT Include Any Upper Parts Camshaft, Lifters, Cylinder Heads, Intake Manifold ETC.									
1		2							ENGINE, Short Block, See Note, (NOT SERVICED)
2		2							CAP, Main, Serviced In Short Block Engine, (NOT SERVICED)
3	68078786AA	1	C, F, Z			ERB			RETAINER AND SEAL, Crankshaft Rear Oil
4	06036308AA	3	C, F, Z			ERB			PLUG, Core
5	06102439AA	2	C, F, Z			ERB			DOWEL, Transmission To Cylinder Block, Mounting
6	06506214AA	1	C, Z			ERB			PLUG, Oil Drain
7	04556020AB	1	C, F, Z			ERB			PLUG, Core, 1.25 Diameter
8		1							PIN, (NOT SERVICED)
9	06509563AA	8	C, F, Z			ERB			BOLT, Hex Flange Head, M11X1.50X94.00, Main Bearing Cap To Cylinder Block, Mounting
10	06509171AA	1	C, F, Z			ERB			BOLT, Hex Flange Head, Main Bearing Cap To Cylinder Block, Mounting
11	06509170AA	7	C, F, Z			ERB			BOLT, Hex Flange Head Main Bearing Cross To Cylinder Block, Mounting
	06509171AA	1	C, F, Z			ERB			Main Bearing Cross Bar To Cylinder Block, Mounting
-12	05184110AE	3	C, F, Z			ERB			JET, Piston Oil Cooler
-13	06104136AA	3	C, F, Z			ERB			BOLT, Pan Head, M5x.08x16.00, Piston Oil Cooler Jet To Cylinder Block, Mounting

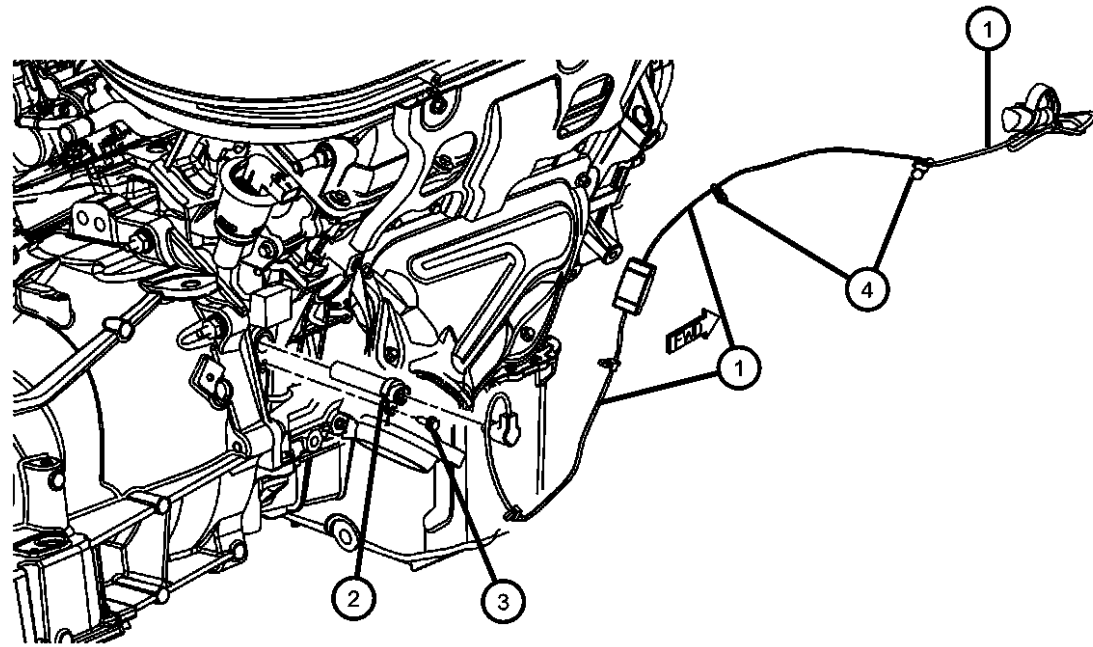
MAGNUM/300/CHARGER (LX)

SERIES	LINE	BODY	ENGINE	TRANSMISSION
H = HIGHLINE P = PREMIUM S = SPORT	C = CHRYSLER F = EAGLE	48 = SEDAN TYPE #8	ERB = 3.XL Mid V6 Engine EZH = 5.7L V8 HEMI MDS VCT Engine	DGJ = 5-Speed Auto W5A580 Transmission

AR = use ase required - = Non illustrated part

**Engine Cylinder Block Heater 3.6L [ERB]
Figure 009ERB-325**

ITEM	PART NUMBER	QTY	LINE	SERIES	BODY	ENGINE	TRANS	TRIM	DESCRIPTION
1	68083745AA	1	C, F, Z			ERB			CORD, Engine Block Heater
2	04609325AB	1	C, F, Z			ERB			HEATER, Engine Block
3	06501957	1	C, F, Z			ERB			BOLT AND WASHER, Hex Head, M6X1.00X20.00, Engine Block Heater To Cylinder Block, Mounting
4		1							TIE STRAP, Serviced With Engine Block Heater Cord, (NOT SERVICED)



MAGNUM/300/CHARGER (LX)

SERIES LINE
H = HIGHLINE C = CHRYSLER
P = PREMIUM F = EAGLE
S = SPORT

BODY
48 = SEDAN TYPE #8

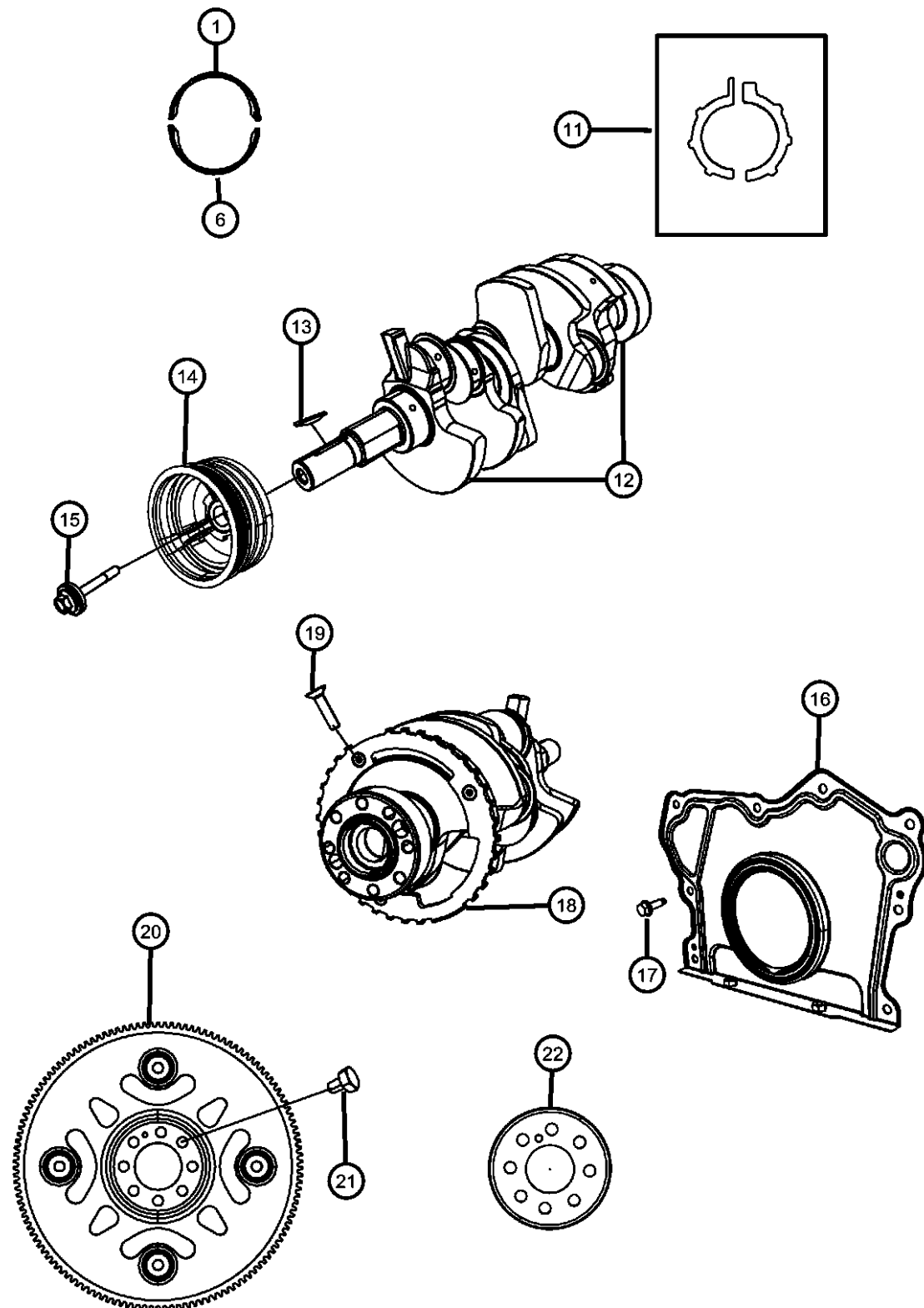
ENGINE
ERB = 3.XL Mid V6 Engine
EZH = 5.7L V8 HEMI MDS
VCT Engine

TRANSMISSION
DGJ = 5-Speed Auto W5A580
Transmission

AR = use ase required - = Non illustrated part

2011 LX

**Crankshaft, Crankshaft Bearings, Damper And Flywheel 3.6L [ERB]
Figure 009ERB-405**



ITEM	PART NUMBER	QTY	LINE	SERIES	BODY	ENGINE	TRANS	TRIM	DESCRIPTION
------	-------------	-----	------	--------	------	--------	-------	------	-------------

For Crankshaft Identification, Stamping Location And Bearing Information Refer To The Service Manual.
For Bearing Selection Sizes Please Refer To Service Manual Group 9, Bearings Crankshaft Main, [Select Fit Identification]

1	05184105AG	AR	C, F, Z			ERB			BEARING, Crankshaft Upper, Standard, See Note
-2	05184106AG	AR	C, F, Z			ERB			BEARING, Crankshaft Upper, -.0036mm, See Note
-3	05184107AG	AR	C, F, Z			ERB			BEARING, Crankshaft Upper, -.0072mm, See Note
-4	05184104AG	AR	C, F, Z			ERB			BEARING, Crankshaft Upper, +.0036mm, See Note
-5	05184103AG	AR	C, F, Z			ERB			BEARING, Crankshaft Upper, +.0072mm, See Note
6	05184088AF	AR	C, F, Z			ERB			BEARING, Crankshaft Lower, Standard, See Note
-7	05184089AF	AR	C, F, Z			ERB			BEARING, Crankshaft Lower, -.0036mm, See Note
-8	05184090AF	AR	C, F, Z			ERB			BEARING, Crankshaft Lower, -.0072mm, See Note
-9	05184087AF	AR	C, F, Z			ERB			BEARING, Crankshaft Lower, +.0036mm, See Note
-10	05184086AF	AR	C, F, Z			ERB			BEARING, Crankshaft Lower, +.0072mm, See Note
11	05184129AG	2	C, F, Z			ERB			BEARING, Thrust
12	05184251AF	1	C, F, Z			ERB			CRANKSHAFT
13	06509258AA	1	C, F, Z			ERB			KEY, Woodruff
14	05184293AC	1	C, F, Z			ERB			DAMPER, Crankshaft
15	06509148AA	1	C, F, Z			ERB			BOLT, Hex Flange Head, M16X1.50X60.00, Damper To crankshaft, Mounting
16	68078786AA	1	C, F, Z			ERB			RETAINER AND SEAL, Crankshaft Rear Oil
17	06105037AA	8	C, F, Z			ERB			SCREW, Hex Flange Head, M6x1.00x20.00, Rear Seal Retainer To Cylinder Block, Mounting
18		8							TONE RING, Sensor, Serviced With Crankshaft, (NOT SERVICED)
19	06509338AA	4	C, F, Z			ERB			BOLT, Hex Flange Head, M6X1.00X19.00, Crankshaft Sensor Tone Ring, Mounting
20	04752463AB	1	C, F, Z			ERB	DGJ		PLATE, Torque Converter Drive
21	06503465	8	C, F, Z			ERB	DGJ		BOLT, Hex Head Lock, M10X1.00X18.00, Torque Converter Drive Plate To Crankshaft, Mounting
22	04752465AA	1	C, F, Z			ERB	DGJ		PLATE, Flexplate or Flywheel Backing

MAGNUM/300/CHARGER (LX)

SERIES LINE
H = HIGHLINE C = CHRYSLER
P = PREMIUM F = EAGLE
S = SPORT

BODY
48 = SEDAN TYPE #8

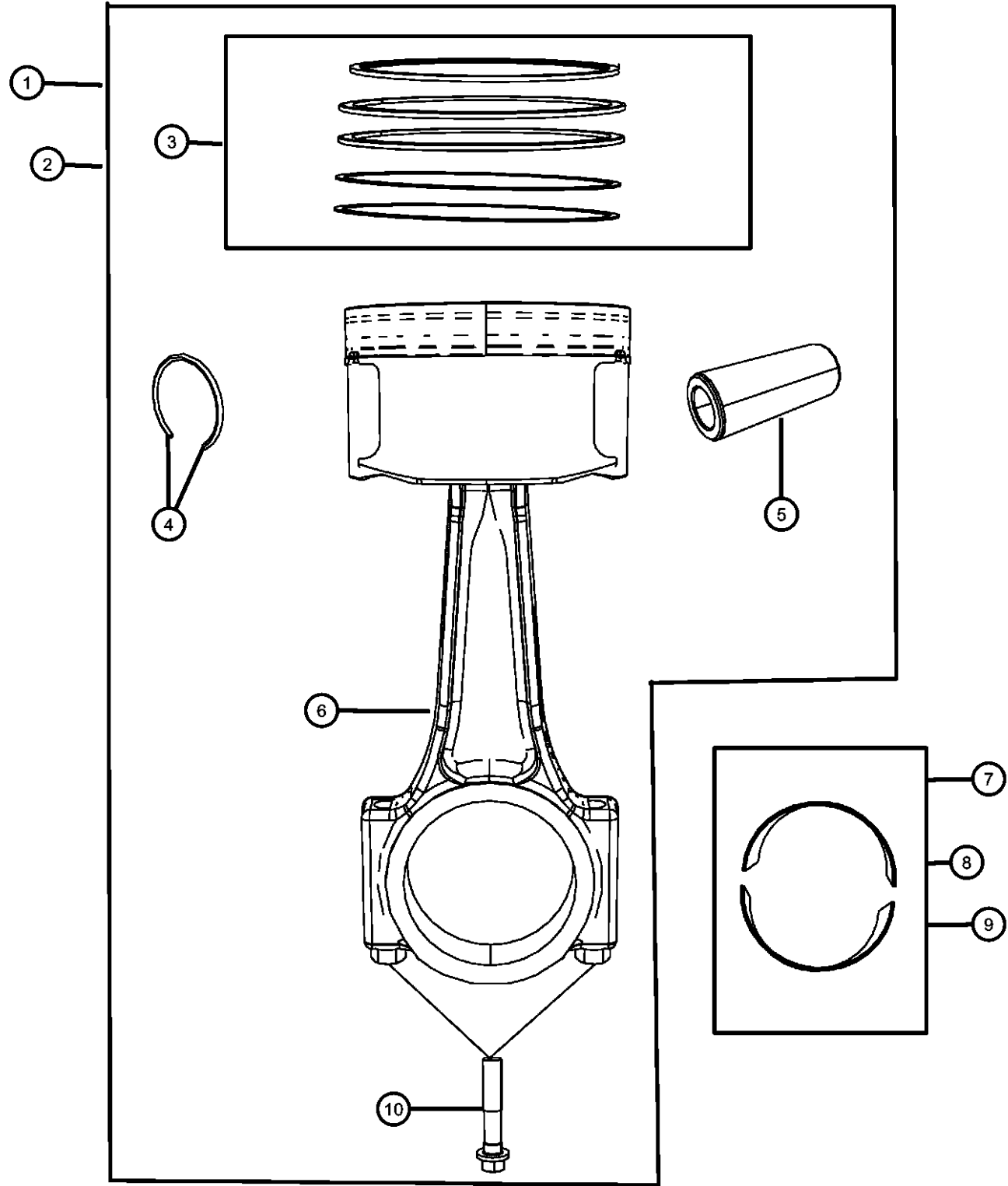
ENGINE
ERB = 3.XL Mid V6 Engine
EZH = 5.7L V8 HEMI MDS
VCT Engine

TRANSMISSION
DGJ = 5-Speed Auto W5A580
Transmission

AR = use ase required - = Non illustrated part

2011 LX

**Piston, Piston Rings, Connecting Rods And Connecting Rod Bearings 3.6L [ERB]
Figure 009ERB-425**



ITEM	PART NUMBER	QTY	LINE	SERIES	BODY	ENGINE	TRANS	TRIM	DESCRIPTION
For Crankshaft Identification, Stamping Location And Bearing Information Refer To The Service Manual. For Bearing Selection Sizes Please Refer To Service Manual Group 9, Bearings Crankshaft Main, [Select Fit Identification]									
1	05184347AG	AR	C, F, Z			ERB			PISTON PIN AND ROD, Grade 1, See Note
2	05184503AG	AR	C, F, Z			ERB			PISTON PIN AND ROD, Grade 2, See Note
3	68078776AA	1	C, Z			ERB	DGJ		PISTON RING SET, COMPLETE ENGINE, STD.
4		1							RING, Piston Pin, Serviced With Item 1 Or 2, (NOT SERVICED)
5		1							PIN, Piston, Serviced With Item 1 Or 2, (NOT SERVICED)
6		1							ROD, Connecting, Serviced With Item 1 Or 2, (NOT SERVICED)
7	05184112AF	AR	C, F, Z			ERB			BEARING, Connecting Rod, STD., See Note
8	05184113AF	AR	C, F, Z			ERB			BEARING, Connecting Rod, -.003mm, See Note
9	05184111AF	AR	C, F, Z			ERB			BEARING, Connecting Rod, +.003mm, See Note
10	06509128AA	AR	C, F, Z			ERB			BOLT, Connecting Rod

MAGNUM/300/CHARGER (LX)

SERIES LINE
H = HIGHLINE C = CHRYSLER
P = PREMIUM F = EAGLE
S = SPORT

BODY
48 = SEDAN TYPE #8

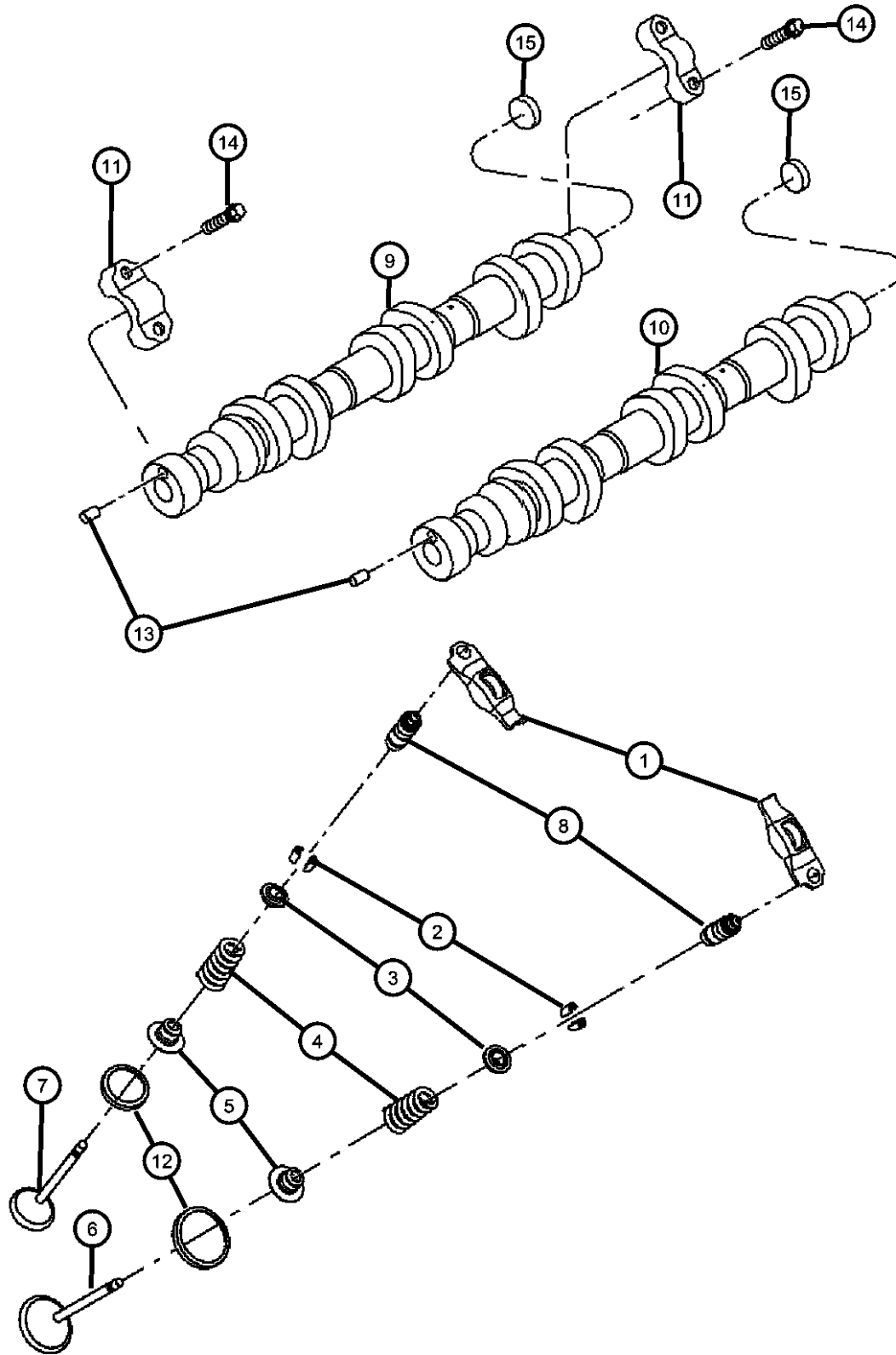
ENGINE
ERB = 3.XL Mid V6 Engine
EZH = 5.7L V8 HEMI MDS
VCT Engine

TRANSMISSION
DGJ = 5-Speed Auto W5A580
Transmission

AR = use ase required - = Non illustrated part

2011 LX

**Camshafts And Valvetrain 3.6L [ERB]
Figure 009ERB-505**



ITEM	PART NUMBER	QTY	LINE	SERIES	BODY	ENGINE	TRANS	TRIM	DESCRIPTION
1	05184296AE	24	C, F, Z			ERB			ROCKER ARM, Valve
2	04663722	48	C, F, Z			ERB			LOCK, Valve Spring Retainer
3	05184126AB	24	C, F, Z			ERB			RETAINER, Valve Spring
4	05184060AM	24	C, F, Z			ERB			SPRING, Valve
5	05184168AB	24	C, F, Z			ERB			SEAL, Valve Guide
6	05184127AC	12	C, F, Z			ERB			VALVE, Intake, Standard
7	05184128AD	12	C, F, Z			ERB			VALVE, Exhaust, Standard
8	05184332AA	24	C, F, Z			ERB			ADJUSTER, Valve Lash
9									CAMSHAFT, Intake
	05184380AF	1	C, F, Z			ERB			Right Side
	05184379AE	1	C, F, Z			ERB			Left Side
10									CAMSHAFT, Exhaust
	05184377AF	1	C, F, Z			ERB			Left Side
	05184378AF	1	C, F, Z			ERB			Right Side
11		1							CAP, Camshaft Bearing, Serviced With Cylinder Head Only, (NOT SERVICED)
12	05184167AB	24	C, F, Z			ERB			SEAT, Valve Spring
13		24							DOWEL PIN, [M6X14.00] Serviced With Camshaft, (NOT SERVICED)
14									SCREW, Pan Head
	06509455AA	16	C, F, Z			ERB			Camshaft Bearing Cap To Cylinder Head, Mounting Left Side
		16	C, F, Z			ERB			Camshaft Bearing Cap To Cylinder Head, Mounting Right Side
15	68068751AA	4	C, F, Z			ERB			PLUG, Camshaft

MAGNUM/300/CHARGER (LX)

SERIES LINE
H = HIGHLINE C = CHRYSLER
P = PREMIUM F = EAGLE
S = SPORT

BODY
48 = SEDAN TYPE #8

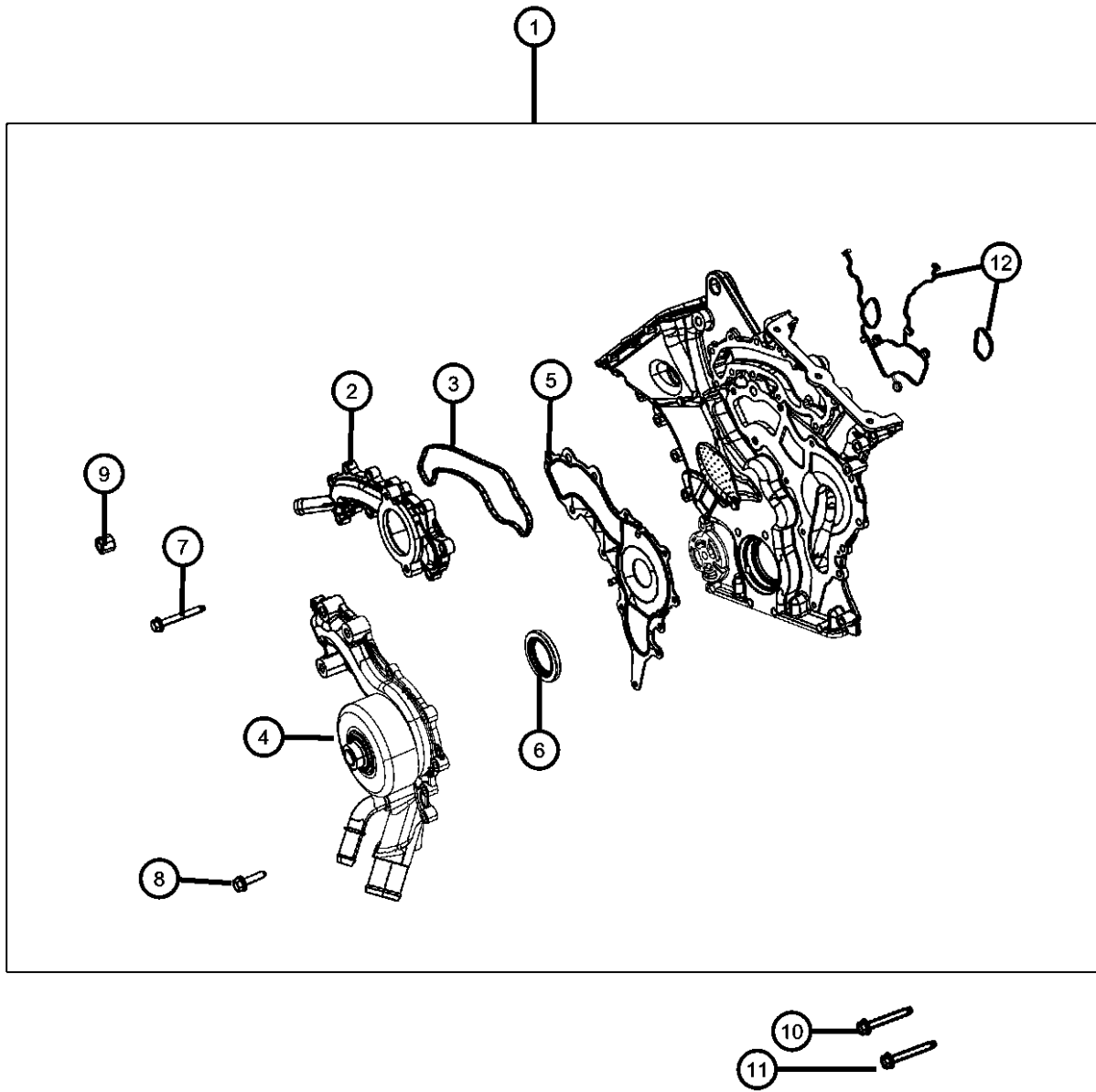
ENGINE
ERB = 3.XL Mid V6 Engine
EZH = 5.7L V8 HEMI MDS
VCT Engine

TRANSMISSION
DGJ = 5-Speed Auto W5A580
Transmission

AR = use ase required - = Non illustrated part

2011 LX

**Timing Case Cover 3.6L [ERB]
Figure 009ERB-605**



ITEM	PART NUMBER	QTY	LINE	SERIES	BODY	ENGINE	TRANS	TRIM	DESCRIPTION
1	05184495AH	1	C, F, Z			ERB			COVER, Chain Case
2	05184653AF	1	C, F, Z			ERB			CROSSOVER, Coolant
3	05184454AE	1	C, F, Z			ERB			GASKET
4									PUMP, Water
	05184498AI	1	C, F, Z			ERB			
	RL184498AI	1				ERB			
5	68087340AA	1	C, F, Z			ERB			GASKET, Water Pump
6	68079589AA	1	C, F, Z			ERB			SEAL, Crankshaft Oil, Front
7									BOLT AND CONED WASHER, Hex Head, M6X1.00X25.00
	06102429AA	4	C, F, Z			ERB			Water Pump To Front Cover, Mounting
		4	C, F, Z			ERB			Water Crossover To Front Cover, Mounting
8	06509392AA	23	C, F, Z			ERB			BOLT, Hex Flange Head, M6X1.00X48.00, Water Crossover To Cylinder Head, Mounting
9	06508675AA	23	C, F, Z			ERB			NUT, Timing Chain Cover, Mounting
10									BOLT, Hex Flange Head, M10X1.50X55.00
	06104221AA	1	C, F, Z			ERB			Water Pump to Front Cover to Block, Mounting
		3	C, F, Z			ERB			Front Cover to Cylinder Head, Mounting
11	06104227AA	3	C, F, Z			ERB			BOLT, Hex Flange Head, M10X1.50X100.00, Engine Mount To Front Cover, Mounting
12	68078604AA	1	C, F, Z			ERB			GASKET KIT, Chain Case Cover

MAGNUM/300/CHARGER (LX)

SERIES LINE
H = HIGHLINE C = CHRYSLER
P = PREMIUM F = EAGLE
S = SPORT

BODY
48 = SEDAN TYPE #8

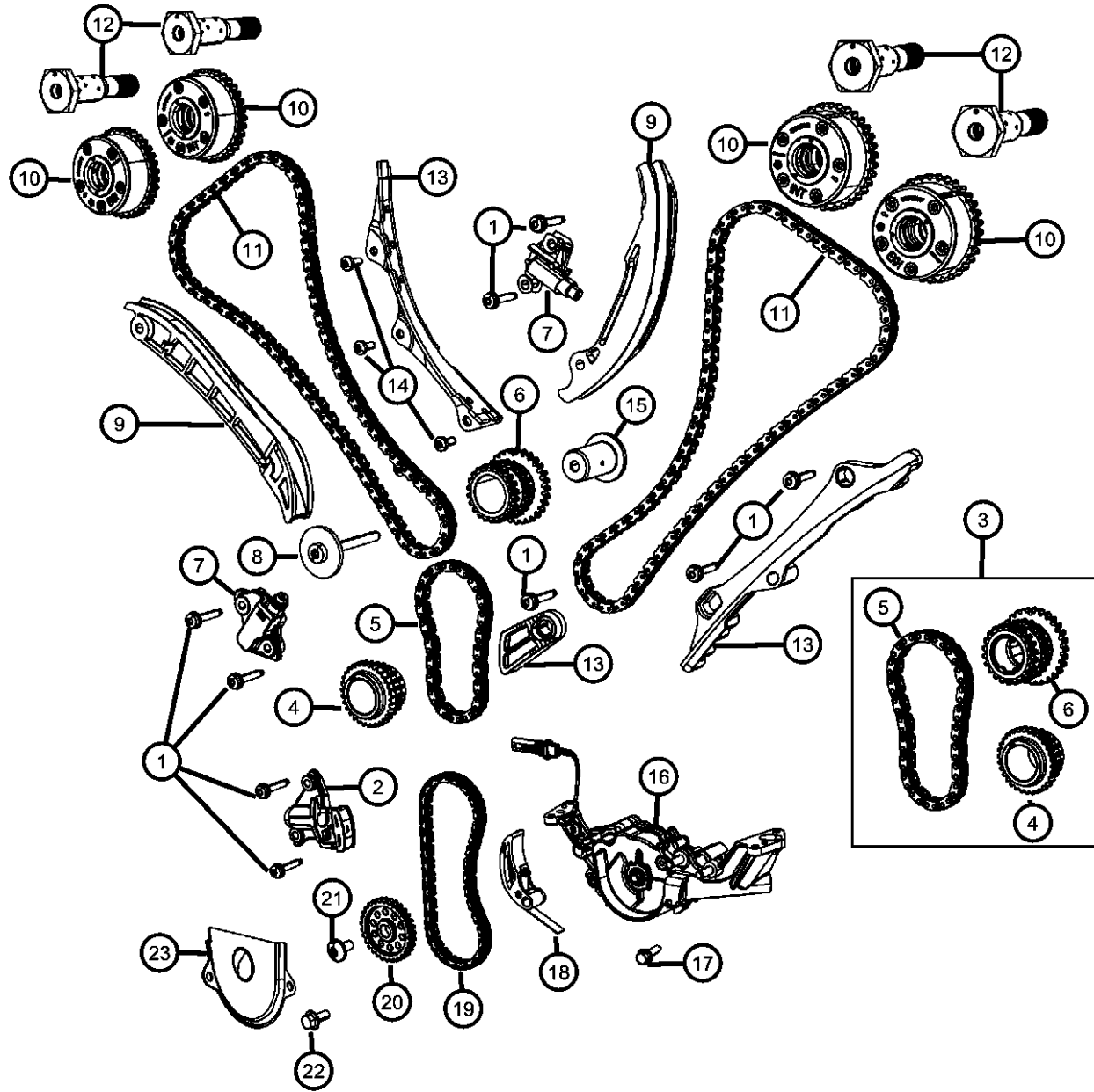
ENGINE
ERB = 3.XL Mid V6 Engine
EZH = 5.7L V8 HEMI MDS
VCT Engine

TRANSMISSION
DGJ = 5-Speed Auto W5A580
Transmission

AR = use ase required - = Non illustrated part

2011 LX

Timing System 3.6L [ERB]
Figure 009ERB-625



ITEM	PART NUMBER	QTY	LINE	SERIES	BODY	ENGINE	TRANS	TRIM	DESCRIPTION
1	06509320AA	4	C, F, Z			ERB			BOLT, Torx Head, M6X1.00X30.00
		2	C, F, Z			ERB			Timing Drive Tensioner, Mounting
		1	C, F, Z			ERB			Primary Drive Tensioner, Mounting
		2	C, F, Z			ERB			Primary Drive Guide, Mounting
2	05184391AF	1	C, F, Z			ERB			Left Bank Timing Drive Guide, Mounting
3		1							TENSIONER, Chain, Primary
4	05184357AD	1	C, F, Z			ERB			TIMING DRIVE KIT, Engine, Serviced Seperate Only, (NOT SERVICED)
5	05184355AF	1	C, F, Z			ERB			GEAR, Intermediate
6	05184356AD	1	C, F, Z			ERB			CHAIN, Timing Primary
7		1							GEAR, Crankshaft
	05184360AE	1	C, F, Z			ERB			TENSIONER, Chain, Secondary
	05184888AB	1	C, F, Z			ERB			Left Side
8	05184359AB	1	C, F, Z			ERB			Right Side
9		1							SHAFT, Idler
	05184363AD	1	C, F, Z			ERB			ARM, Tensioner
	05184364AD	1	C, F, Z			ERB			Secondary, Left Side
10		1							Secondary, Right Side
	05184369AF	2	C, F, Z			ERB			PHASER, Camshaft
	05184370AG	2	C, F, Z			ERB			Exhaust
11	05184352AF	2	C, F, Z			ERB			Intake
12	05184150AF	4	C, F, Z			ERB			CHAIN, Timing Secondary
13		1							VALVE, Oil Control
	05184361AE	1	C, F, Z			ERB			GUIDE, Timing Chain
	05184362AD	1	C, F, Z			ERB			Secondary, Left Side
	05184392AD	1	C, F, Z			ERB			Secondary, Right Side
14	06509353AA	3	C, F, Z			ERB			Primary
15	05184357AD	1	C, F, Z			ERB			BOLT, Torx Head, M6X1.00X15.00, Secondary Chain Guide, Mounting Right Side
16	05184295AH	1	C, F, Z			ERB			GEAR, Intermediate
17	06102429AA	4	C, F, Z			ERB			PUMP, Engine Oil
18	05184093AE	1	C, F, Z			ERB			BOLT AND CONED WASHER, Hex Head, M6X1.00X25.00, Oil Pump To Cylinder Block, Mounting
19	05184278AD	1	C, F, Z			ERB			TENSIONER, Chain Oil Pump
									CHAIN, Oil Pump Drive

MAGNUM/300/CHARGER (LX)

SERIES LINE
H = HIGHLINE C = CHRYSLER
P = PREMIUM F = EAGLE
S = SPORT

BODY
48 = SEDAN TYPE #8

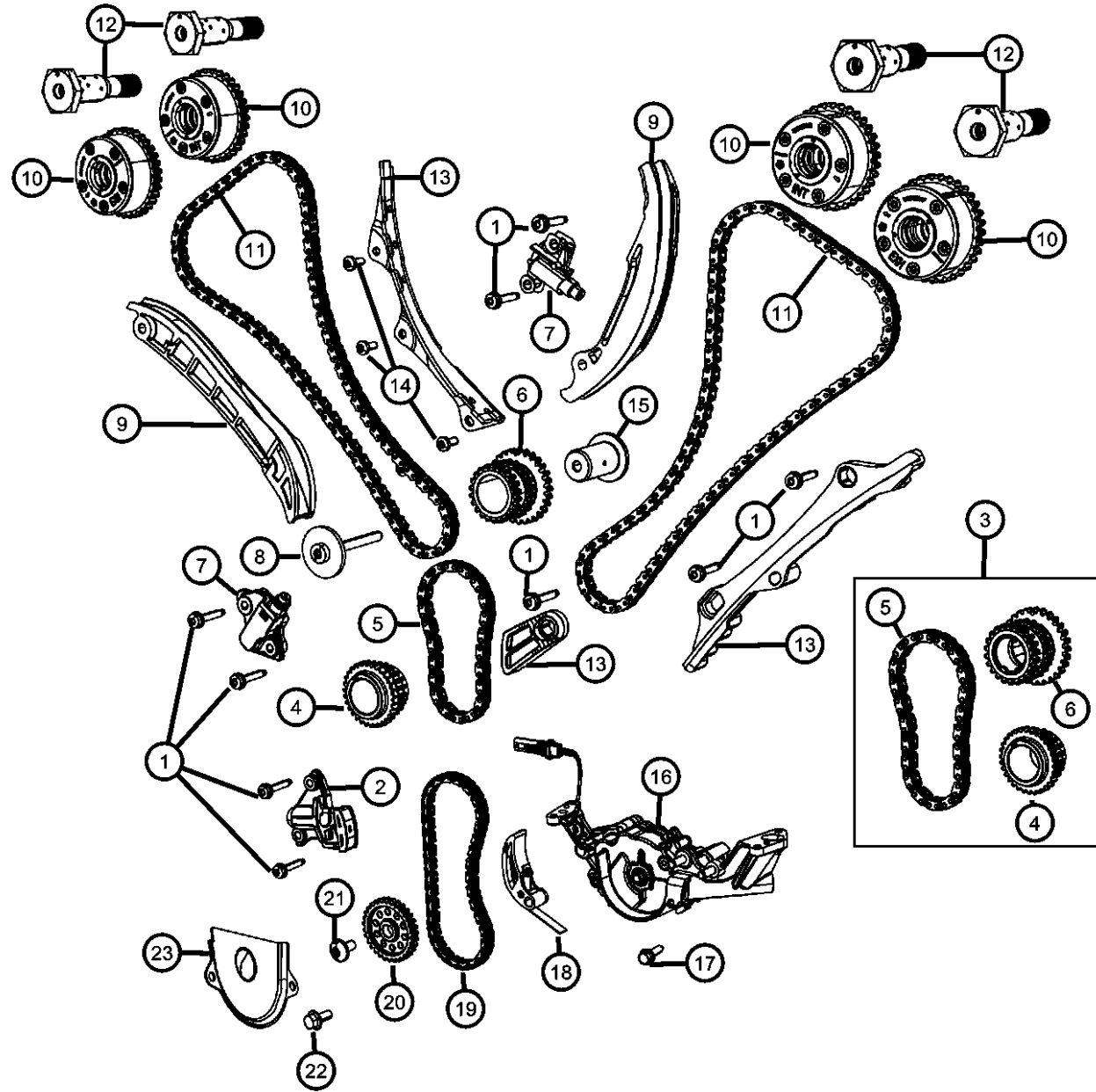
ENGINE
ERB = 3.XL Mid V6 Engine
EZH = 5.7L V8 HEMI MDS
VCT Engine

TRANSMISSION
DGJ = 5-Speed Auto W5A580
Transmission

AR = use ase required - = Non illustrated part

2011 LX

Timing System 3.6L [ERB]
Figure 009ERB-625



ITEM	PART NUMBER	QTY	LINE	SERIES	BODY	ENGINE	TRANS	TRIM	DESCRIPTION
20	05184273AD	1	C, F, Z			ERB			GEAR, Oil Pump Drive
21	05104610AA	1	C, F, Z			ERB			BOLT AND WASHER, Recessed Torx Head, M8X1.25X16.00, Oil Pump Drive Gear, Mounting
22	06104172AA	2	C, Z			ERB			SCREW, Hex Flange Head, M5x0.8x12.0, Oil Pump Splash Shield, Mounting
23	05184557AE	1	C, Z			ERB			SHIELD, SplashOil Pump

MAGNUM/300/CHARGER (LX)

SERIES LINE
H = HIGHLINE C = CHRYSLER
P = PREMIUM F = EAGLE
S = SPORT

BODY
48 = SEDAN TYPE #8

ENGINE
ERB = 3.6L Mid V6 Engine
EZH = 5.7L V8 HEMI MDS
VCT Engine

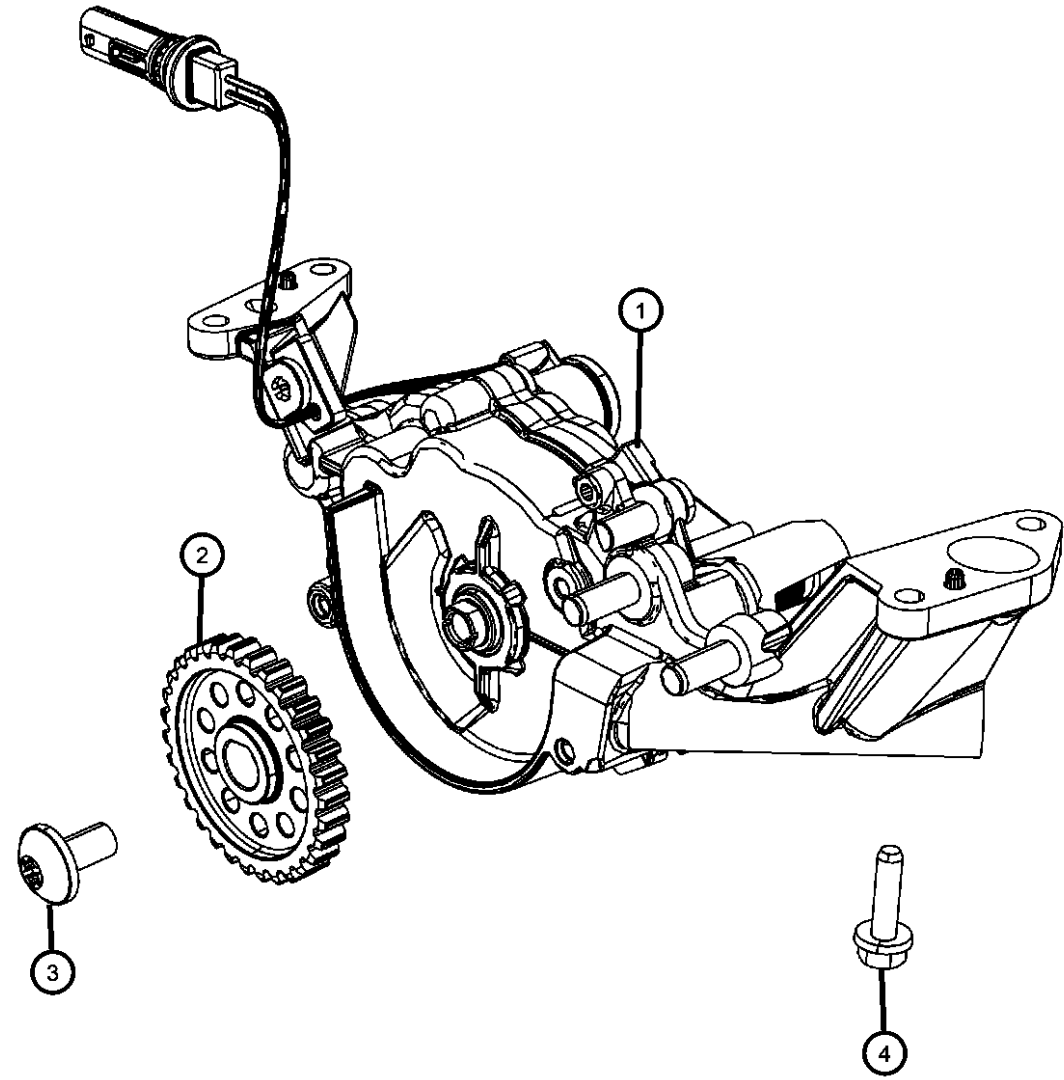
TRANSMISSION
DGJ = 5-Speed Auto W5A580
Transmission

AR = use ase required - = Non illustrated part

2011 LX

**Engine Oil Pump 3.6L [ERB]
Figure 009ERB-705**

ITEM	PART NUMBER	QTY	LINE	SERIES	BODY	ENGINE	TRANS	TRIM	DESCRIPTION
1	05184295AH	1	C, F, Z			ERB			PUMP, Engine Oil
2	05184273AD	1	C, F, Z			ERB			GEAR, Oil Pump Drive
3	05104610AA	1	C, F, Z			ERB			BOLT AND WASHER, Recessed Torx Head, M8X1.25X16.00, Oil Pump Drive Gear, Mounting
4	06102429AA	4	C, F, Z			ERB			BOLT AND CONED WASHER, Hex Head, M6X1.00X25.00, Oil Pump To Cylinder Block, Mounting



MAGNUM/300/CHARGER (LX)

SERIES LINE
H = HIGHLINE C = CHRYSLER
P = PREMIUM F = EAGLE
S = SPORT

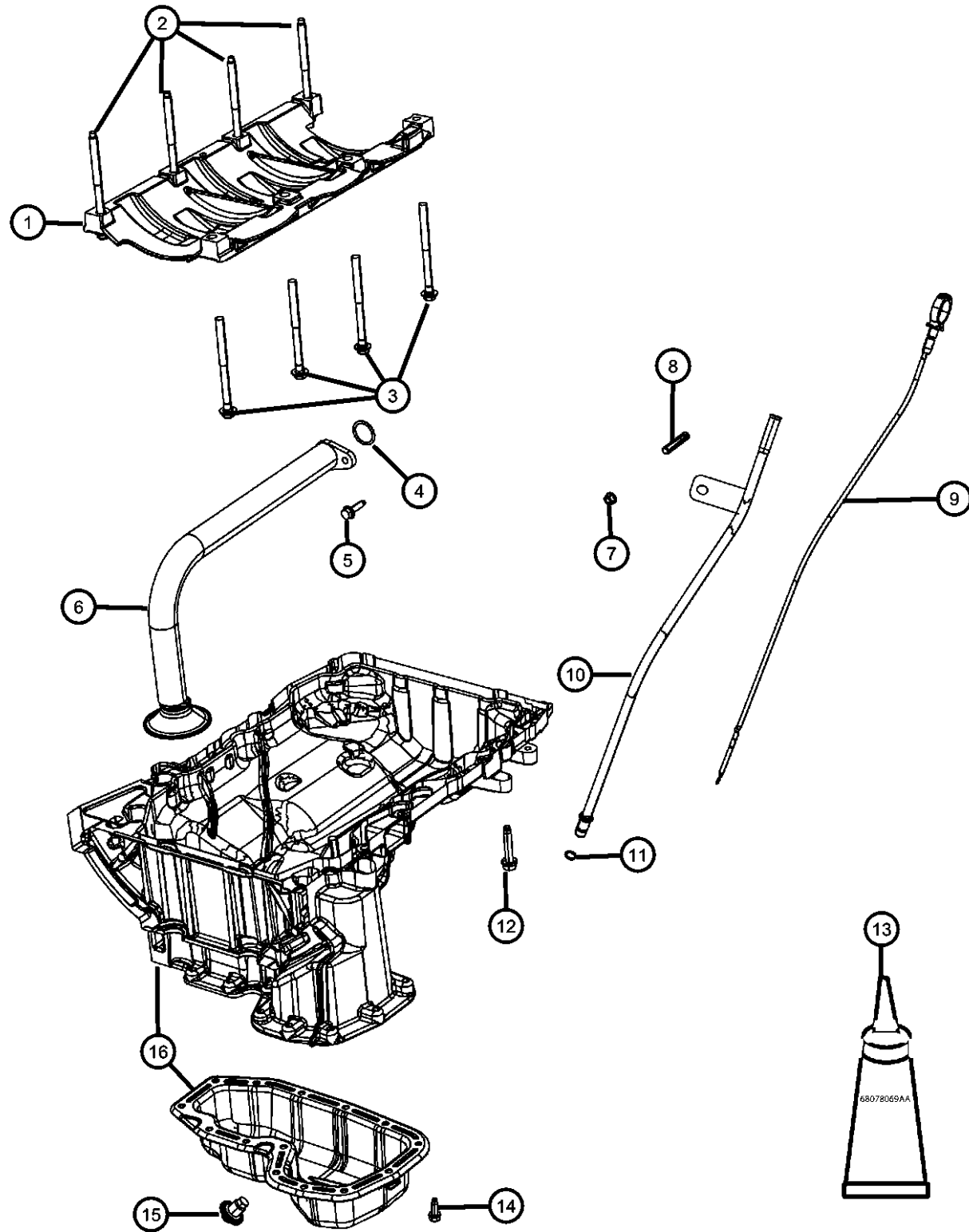
BODY
48 = SEDAN TYPE #8

ENGINE
ERB = 3.XL Mid V6 Engine
EZH = 5.7L V8 HEMI MDS
VCT Engine

TRANSMISSION
DGJ = 5-Speed Auto W5A580
Transmission

AR = use ase required - = Non illustrated part

**Engine Oil Pan, Engine Oil Level Indicator & Related Parts 3.6L [ERB]
Figure 009ERB-725**



ITEM	PART NUMBER	QTY	LINE	SERIES	BODY	ENGINE	TRANS	TRIM	DESCRIPTION
1	05184401AG	1	C, F, Z			ERB			TRAY, Windage
2	06509563AA	8	C, F, Z			ERB			BOLT, Hex Flange Head, M11X1.50X94.00, Inner Main Bearing Cap To Cylinder Block, Mounting
3	06509565AA	8	C, F, Z			ERB			BOLT, Hex Flange Head, Outer Main Bearing Cap To Cylinder Block, Mounting
4	05184908AA	1	C, Z			ERB			O RING Oil Pickup Tube
5	06105038AA	1	C, F, Z			ERB			BOLT, Hex Flange Head, M6X1.00X25.00, Oil Pickup Tube, Mounting
6	05184550AC	1	C, Z			ERB			TUBE, Oil Pickup
7	06506539AA	2	C, Z			ERB			NUT, Hex Flange, M6X1.0, Oil Pan, Mounting
8	06509507AA	2	C, Z			ERB			STUD, Double Ended, M6x1.0x38, Oil Pan, Mounting
9	05184660AC	1	C, Z			ERB			INDICATOR, Engine Oil Level
10	05184931AD	1	C, Z			ERB			TUBE, Engine Oil Indicator
11	05047077AB	1	C, Z			ERB			O RING, Engine Oil Indicator Tube
12	06509231AA	15	C, Z			ERB			BOLT AND CONED WASHER, Hex Head, M8X1.25X45.00, Upper Oil Pan To Cylinder Block, Mounting
13		15							SEALER, RTV, (NOT SERVICED)
14									BOLT AND CONED WASHER, Hex head, M6X1.00X20.00
	06509210AA	12	C, Z			ERB			Lower Oil Pan To Upper Oil pan, Mounting
		1	C, F, Z			ERB			Engine Oil Level Indicator Tube, Mounting
	06509672AA	2	C, F, Z			ERB			Oil Pan To rear oil Seal Retainer, Mounting
15	06506214AA	1	C, Z			ERB			PLUG, Oil Drain
16									PAN, Engine Oil
	05184546AB	1	C, Z			ERB			Lower
	68051599AB	1	C, Z			ERB			Upper

MAGNUM/300/CHARGER (LX)

SERIES LINE
H = HIGHLINE C = CHRYSLER
P = PREMIUM F = EAGLE
S = SPORT

BODY
48 = SEDAN TYPE #8

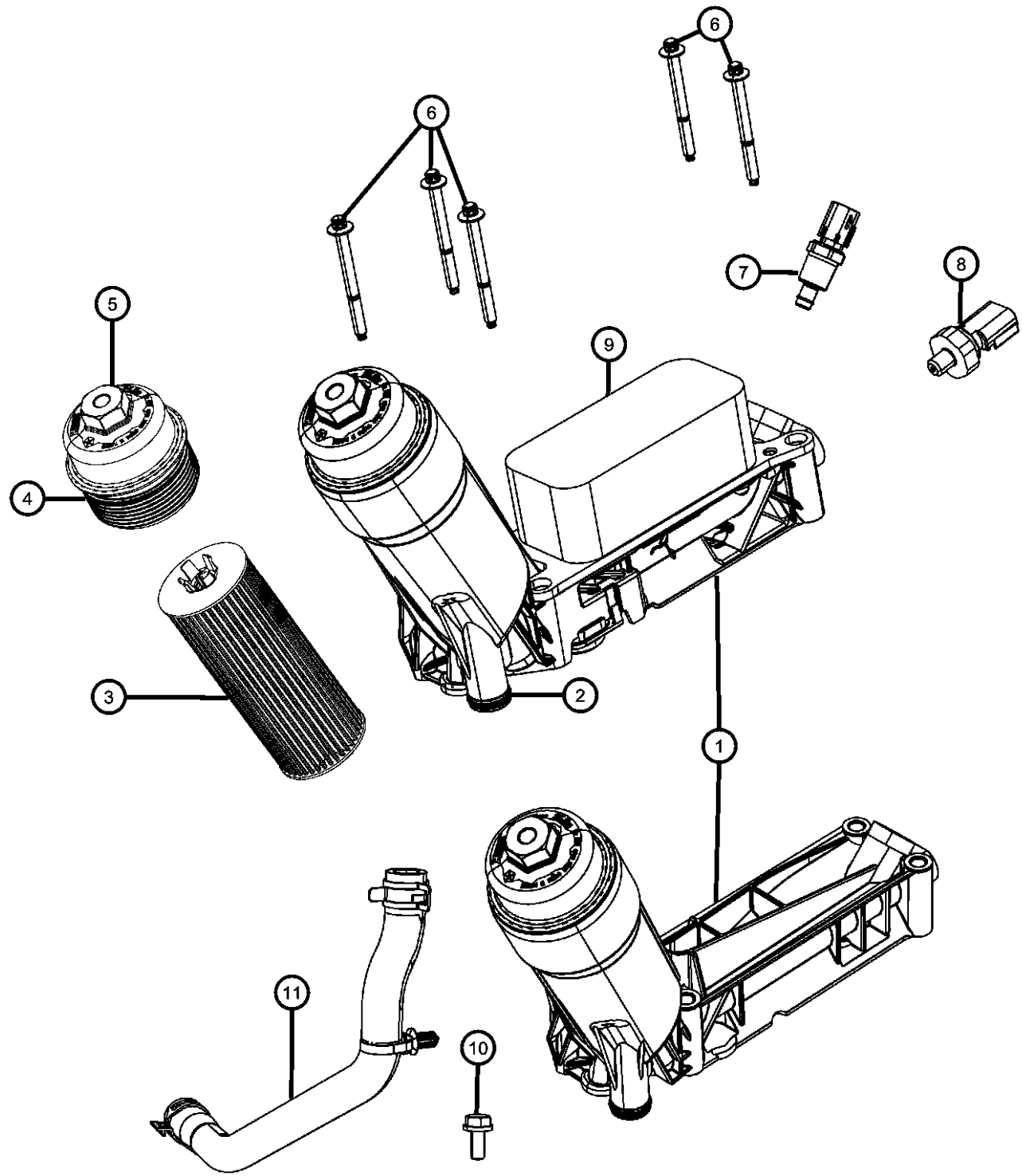
ENGINE
ERB = 3.XL Mid V6 Engine
EZH = 5.7L V8 HEMI MDS
VCT Engine

TRANSMISSION
DGJ = 5-Speed Auto W5A580
Transmission

AR = use ase required - = Non illustrated part

2011 LX

**Engine Oil, Engine Oil Filter Adapter With/Without Oil Cooler 3.6L [ERB]
Figure 009ERB-775**



ITEM	PART NUMBER	QTY	LINE	SERIES	BODY	ENGINE	TRANS	TRIM	DESCRIPTION
1	05184294AE	1	C, F, Z			ERB			ADAPTER, ENGINE OIL FILTER [NHA]
	05184304AE	1	C, F, Z			ERB			
2		1							O RING, Serviced With Item 1, (NOT SERVICED)
3	68079744AB	1	C, F, Z			ERB			FILTER KIT, Engine Oil
4		1							O RING, Serviced With Item 3 Or 5. Oil Filter Housing Cap, (NOT SERVICED)
5	68079747AB	1	C, F, Z			ERB			CAP KIT, Oil Filter Housing
6	06104084AA	5	C, F, Z			ERB			BOLT, Oil Filter Module & Cooler Assembly To Cylinder Block, Mounting
7									SENSOR, Coolant Temperature
	05149077AB	1	C, F, Z			ERB			
		1	C, F, Z			ERB			Engine Oil Temperature
8									SENDING UNIT, Oil Pressure
	05149062AA	1	C, F, Z			ERB			
		1	C, F, Z			ERB			[NHA]
9		1							COOLER, Engine Oil, Serviced With Oil Filter Adapter, (NOT SERVICED),
10	06101452	1	C, F, Z			ERB			BOLT AND WASHER, Hex Head, M8x1.25x20.00, Oil Filter Adapter Tube to Cylinder Block, Mounting
11	68057473AB	1	C, F, Z			ERB			HOSE, Oil Cooler Outlet, Includes Clamps

MAGNUM/300/CHARGER (LX)

SERIES LINE
H = HIGHLINE C = CHRYSLER
P = PREMIUM F = EAGLE
S = SPORT

BODY
48 = SEDAN TYPE #8

ENGINE
ERB = 3.XL Mid V6 Engine
EZH = 5.7L V8 HEMI MDS
VCT Engine

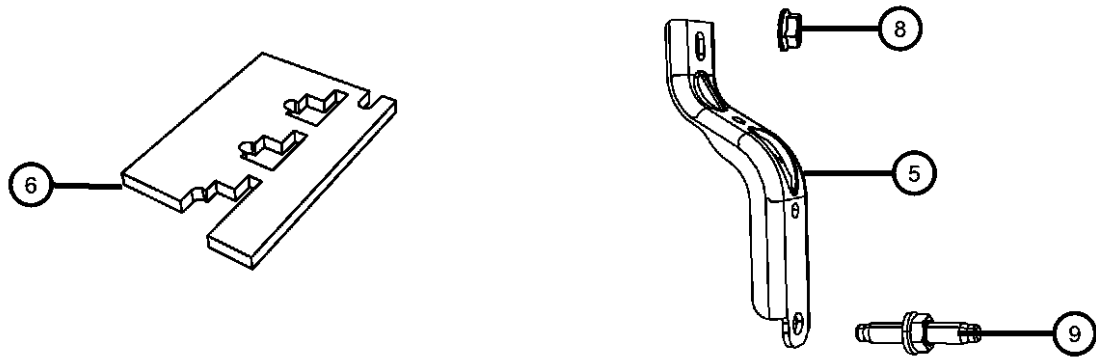
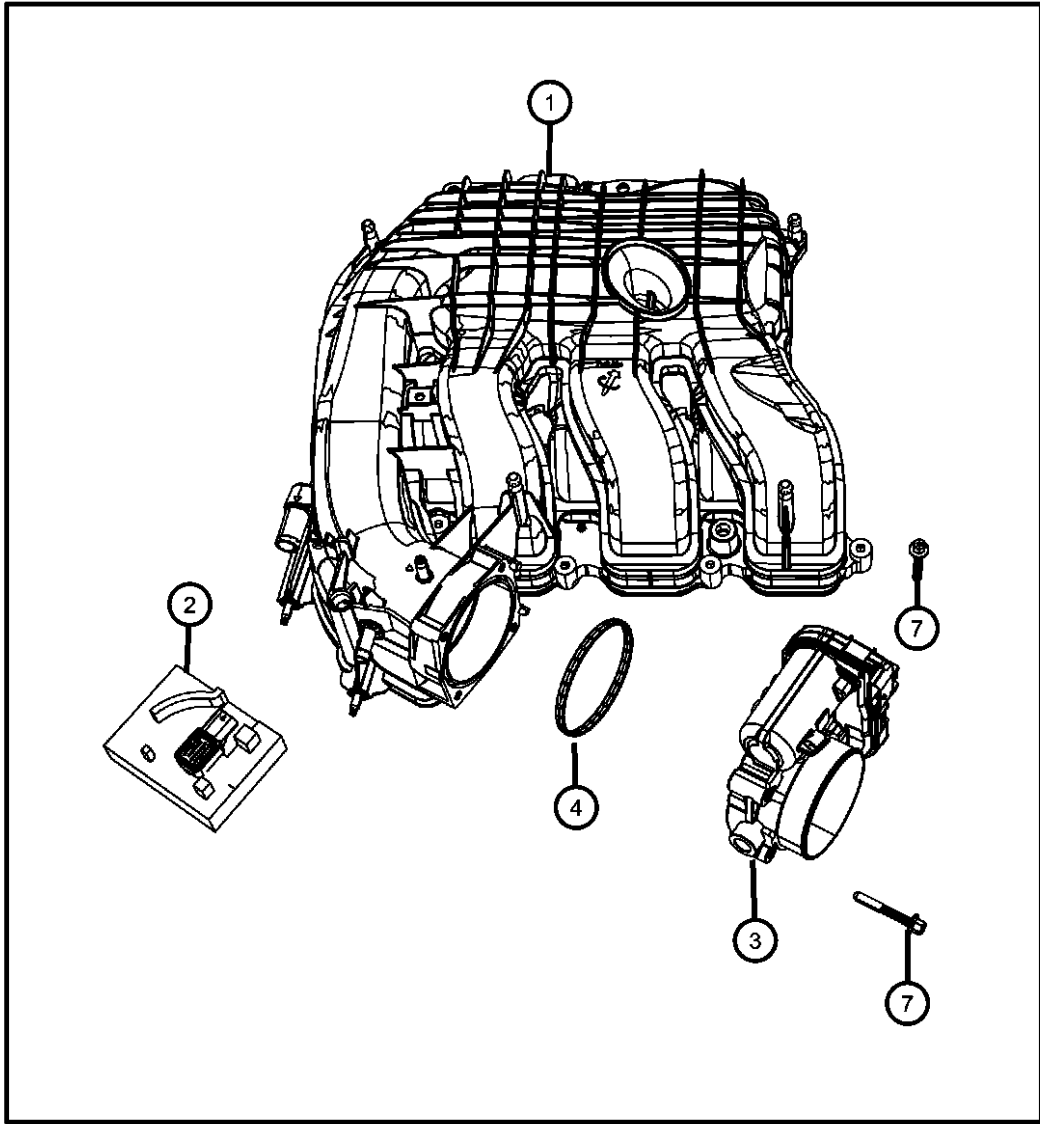
TRANSMISSION
DGJ = 5-Speed Auto W5A580
Transmission

AR = use ase required - = Non illustrated part

2011 LX

Intake Manifold Plenum 3.6L [ERB]
Figure 009ERB-1005

ITEM	PART NUMBER	QTY	LINE	SERIES	BODY	ENGINE	TRANS	TRIM	DESCRIPTION
1	05184693AE	1	C, F, Z			ERB			PLENUM, Intake Manifold
2	05149174AB	1	C, F, Z			ERB			SENSOR, MAP
3	05184349AC	1	C, F, Z			ERB			THROTTLE BODY
4	53032763AA	1	C, F, Z			ERB			GASKET, Throttle Body
5									BRACKET
	04593878AC	2	C, F, Z			ERB			Front Support
	04593904AB	1	C, F, Z			ERB			
6	04593955AA	1	C, F, Z			ERB			PAD, Engine
7									BOLT
	06509356AA	7	C, F, Z			ERB			Upper Plenum To Lower Intake Manifold, Mounting
		4	C, F, Z			ERB			Throttle Body To Upper Plenum, Mounting
8	06506539AA	2	C, F, Z			ERB			NUT, Hex Flange, M6X1.0, Intake Manifold Bracket To Intake Manifold, Mounting
9									STUD, Double Ended, M8X1.25X51.00
	06508966AA	1	C, F, Z			ERB			Throttle Body To Upper Plenum, Mounting
		2	C, F, Z			ERB			Intake Manifold Bracket To Cylinder Head, Mounting



MAGNUM/300/CHARGER (LX)

SERIES LINE
H = HIGHLINE C = CHRYSLER
P = PREMIUM F = EAGLE
S = SPORT

BODY
48 = SEDAN TYPE #8

ENGINE
ERB = 3.XL Mid V6 Engine
EZH = 5.7L V8 HEMI MDS
VCT Engine

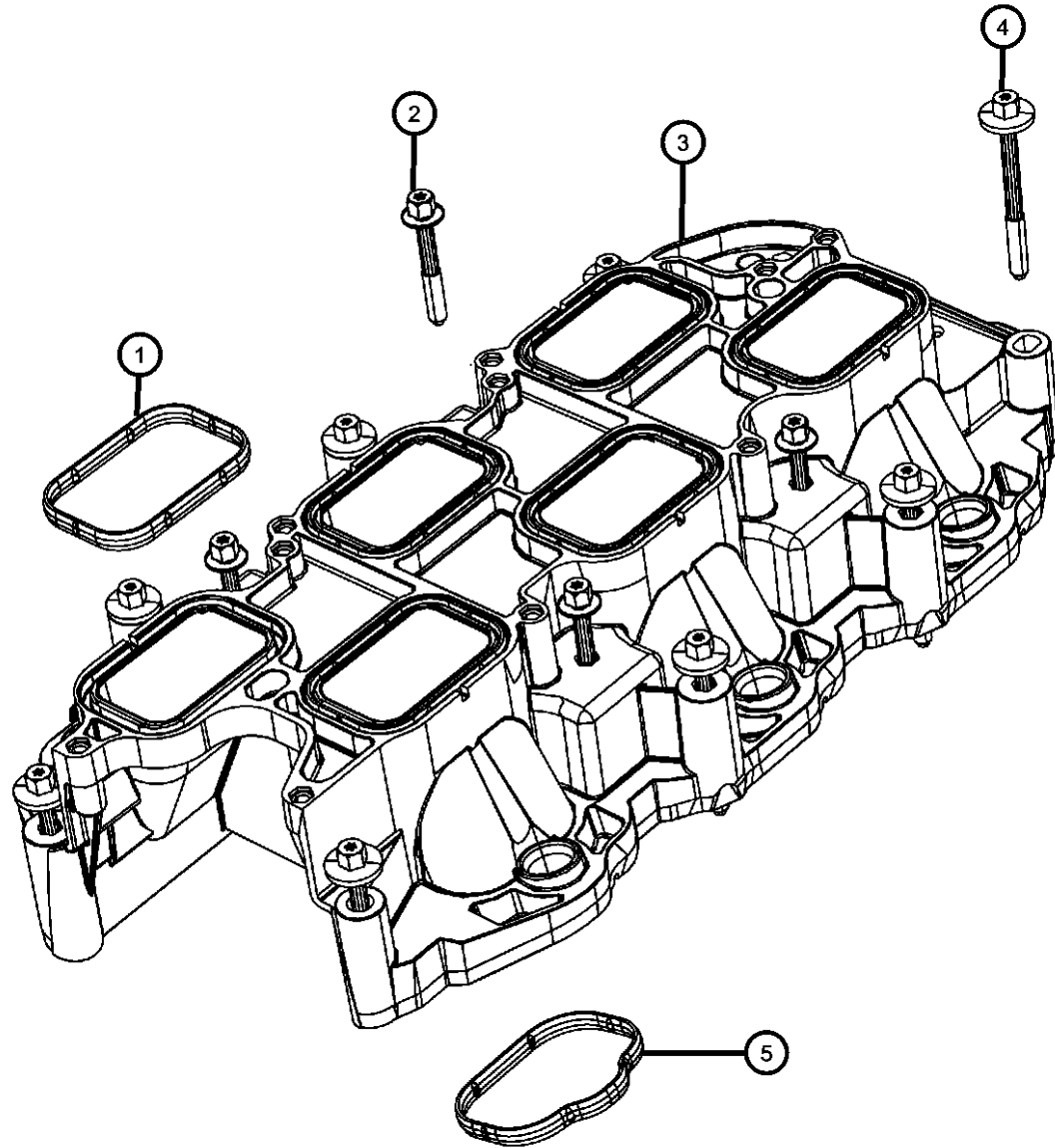
TRANSMISSION
DGJ = 5-Speed Auto W5A580
Transmission

AR = use ase required - = Non illustrated part

2011 LX

Lower Intake Manifold 3.6L [ERB]
Figure 009ERB-1065

ITEM	PART NUMBER	QTY	LINE	SERIES	BODY	ENGINE	TRANS	TRIM	DESCRIPTION
1	05184562AC	6	C, F, Z			ERB			GASKET, Intake Plenum, Upper Intake Manifold Plenum To Lower Intake Manifold
2	06509356AA	7	C, F, Z			ERB			BOLT, Upper Intake Manifold Plenum To Lower Intake Manifold, Mounting
3	05184199AD	1	C, F, Z			ERB			MANIFOLD, IntakeLower
4	06509390AA	8	C, F, Z			ERB			BOLT, Hex Flange Head, Lower Intake Manifold To Cylinder Head, Mounting
5	05184331AC	6	C, F, Z			ERB			GASKET, Intake Manifold



MAGNUM/300/CHARGER (LX)

SERIES LINE
H = HIGHLINE C = CHRYSLER
P = PREMIUM F = EAGLE
S = SPORT

BODY
48 = SEDAN TYPE #8

ENGINE
ERB = 3.XL Mid V6 Engine
EZH = 5.7L V8 HEMI MDS
VCT Engine

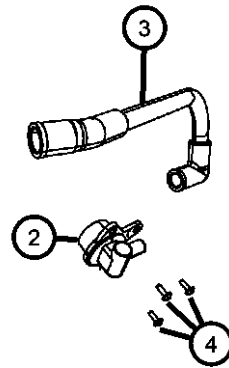
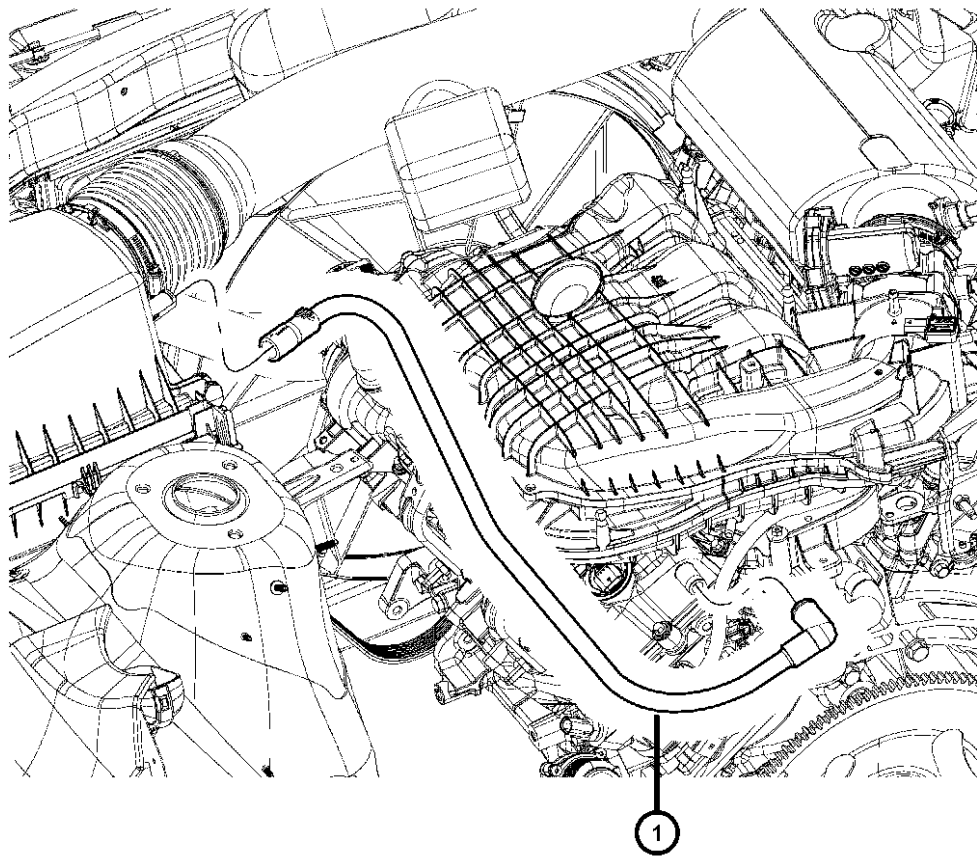
TRANSMISSION
DGJ = 5-Speed Auto W5A580
Transmission

AR = use ase required - = Non illustrated part

2011 LX

**Crankcase Ventilation 3.6L [ERB]
Figure 009ERB-1105**

ITEM	PART NUMBER	QTY	LINE	SERIES	BODY	ENGINE	TRANS	TRIM	DESCRIPTION
1	05184805AC	1	C, F, Z			ERB			HOSE, Make Up Air
2	05184763AD	1	C, F, Z			ERB			VALVE, PCV
3	05184163AE	1	C, F, Z			ERB			HOSE, PCV
4	06509625AA	3	C, F, Z			ERB			BOLT AND WASHER, PCV Valve To Cylinder Head Cover, Mounting



MAGNUM/300/CHARGER (LX)

SERIES LINE
H = HIGHLINE C = CHRYSLER
P = PREMIUM F = EAGLE
S = SPORT

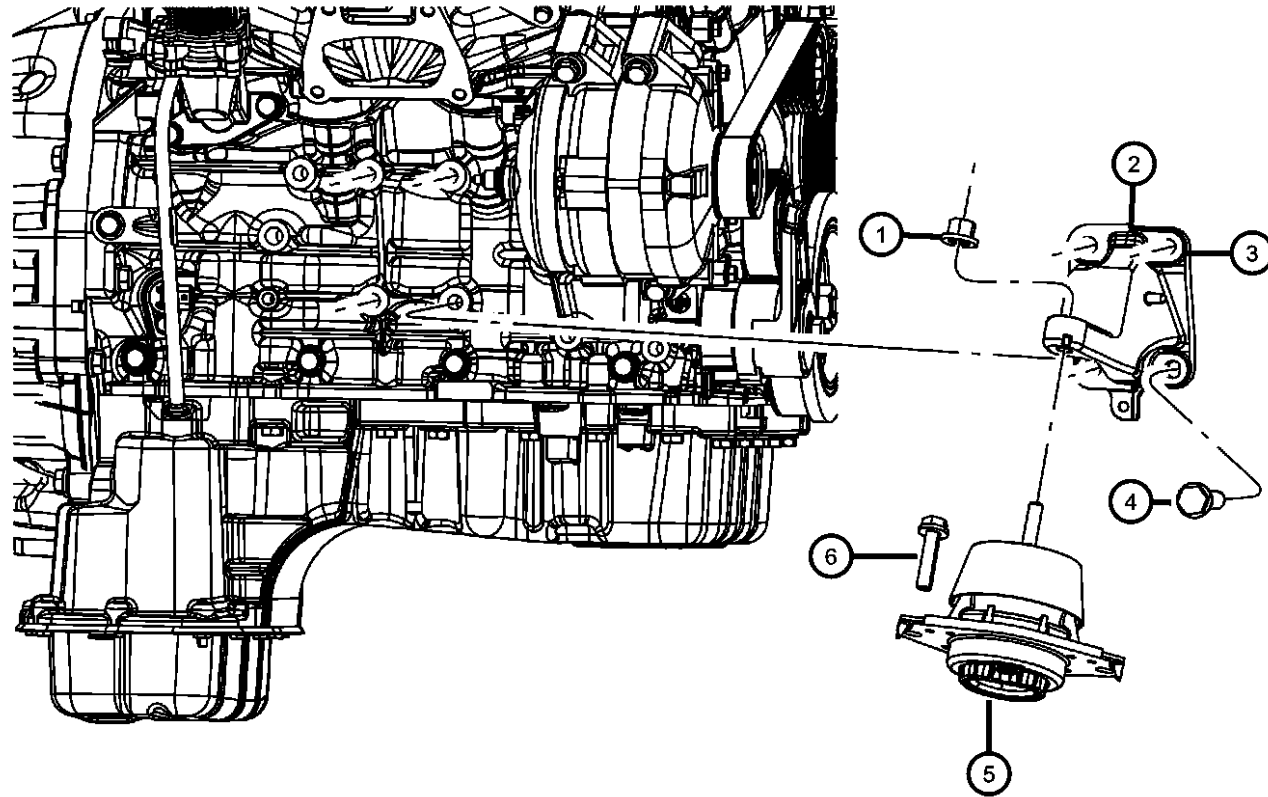
BODY
48 = SEDAN TYPE #8

ENGINE
ERB = 3.XL Mid V6 Engine
EZH = 5.7L V8 HEMI MDS
VCT Engine

TRANSMISSION
DGJ = 5-Speed Auto W5A580
Transmission

AR = use ase required - = Non illustrated part

**Engine Mounting Right Side RWD/2WD 3.6L [ERB]
Figure 009ERB-1220**



ITEM	PART NUMBER	QTY	LINE	SERIES	BODY	ENGINE	TRANS	TRIM	DESCRIPTION
1	06101831	2	C, F, Z						NUT, Hex Flange, M8x1.25, Heat Shield to Engine Mount, Mounting
2	04726022AB	1	C, Z			ERB			BRACKET, Engine MountRight Side
3	06505653AA	2	C, F, Z						STUD, Double Ended, M10X1.50XM8X1.25X93.63, Engine Mount to Engine Mount Bracket, Mounting
4	06102019	8	C, F, Z			ERB, EZH			BOLT AND WASHER, Hex Head, M10x1.50x45.00, Engine Mount Bracket to Engine Mount, Mounting
5	04726030AD	1	C, F, Z			ERB, EZH			CUSHION, Engine SupportRight Side
6	06504010	2	C, F, Z						BOLT, Hex Flange Head, M10x1.50x35.00, Engine Mount to Cradle, Mounting
-7	05090026AA	1	C, F, Z						HEAT SHIELD, Engine Mount

MAGNUM/300/CHARGER (LX)

SERIES LINE
H = HIGHLINE C = CHRYSLER
P = PREMIUM F = EAGLE
S = SPORT

BODY
48 = SEDAN TYPE #8

ENGINE
ERB = 3.XL Mid V6 Engine
EZH = 5.7L V8 HEMI MDS VCT Engine

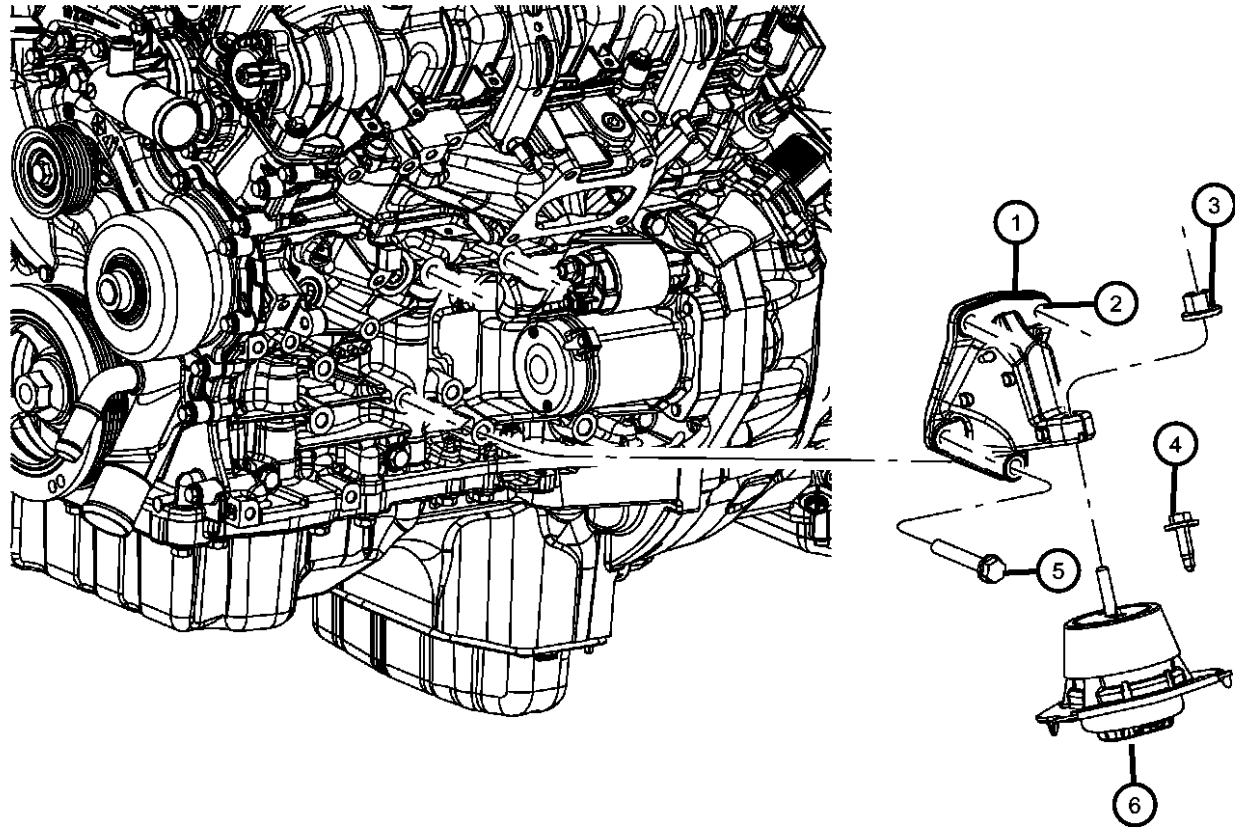
TRANSMISSION
DGJ = 5-Speed Auto W5A580 Transmission

AR = use ase required - = Non illustrated part

2011 LX

**Engine Mounting Left Side RWD/2WD 3.6L [ERB]
Figure 009ERB-1235**

ITEM	PART NUMBER	QTY	LINE	SERIES	BODY	ENGINE	TRANS	TRIM	DESCRIPTION
1	04726023AB	1	C, Z			ERB			BRACKET, Engine MountLeft Side
2	06505653AA	2	C, F, Z						STUD, Double Ended, M10X1.50XM8X1.25X93.63, Engine Mount to Engine Mount Bracket, Mounting
3	06101831	2	C, F, Z						NUT, Hex Flange, M8x1.25, Heat Shield to Engine Mount, Mounting
4	06504010	2	C, F, Z						BOLT, Hex Flange Head, M10x1.50x35.00, Engine Mount Bracket to Cradle, Mounting
5	06102019	8	C, F, Z			ERB, EZH			BOLT AND WASHER, Hex Head, M10x1.50x45.00, Engine Mount Bracket To Cylinder Block, Mounting
6	04726030AD	1	C, F, Z			ERB, EZH			CUSHION, Engine SupportLeft Side
-7	05090026AA	1	C, F, Z						HEAT SHIELD, Engine Mount



MAGNUM/300/CHARGER (LX)

SERIES LINE
H = HIGHLINE C = CHRYSLER
P = PREMIUM F = EAGLE
S = SPORT

BODY
48 = SEDAN TYPE #8

ENGINE
ERB = 3.XL Mid V6 Engine
EZH = 5.7L V8 HEMI MDS VCT Engine

TRANSMISSION
DGJ = 5-Speed Auto W5A580 Transmission

AR = use ase required - = Non illustrated part

2011 LX

Group - 009EZH

5.7L Gas; Engine

009EZH-100 Engine Identification	009EZH-1000 Manifolds and Vacuum Fittings	009EZH-1100 Crankcase Ventilation	009EZH-1200 Engine Mounting
009EZH-200 Cylinder Head	009EZH-300 Cylinder Block	009EZH-400 Crankshaft, Piston, Drive Plate, Flywheel, and Damper	009EZH-500 Camshaft and Valve
009EZH-600 Timing Belt/Chain and Cover and Balance Shaft	009EZH-700 Engine Oiling, Oil Pan and Indicator (Dipstick)		

Group - 009EZH 5.7L Gas; Engine

Illustration Title	Group-Fig. No.
Engine Identification	
Engine Identification 5.7L [EZH]	Fig. 009EZH - 105
Engine Assembly And Service Long Block 5.7L [EZH].....	Fig. 009EZH - 115
Engine Cover And Related Parts 5.7L [EZH]	Fig. 009EZH - 125
Engine Gasket Kits 5.7L [EZH].....	Fig. 009EZH - 145
Cylinder Head	
Cylinder Head Covers 5.7L [EZH]	Fig. 009EZH - 205
Cylinder Heads 5.7L [EZH].....	Fig. 009EZH - 225
Cylinder Block	
Engine Cylinder Block And Hardware 5.7L [EZH]	Fig. 009EZH - 305
Engine Cylinder Block Heater 5.7L [EZH].....	Fig. 009EZH - 325
Crankshaft, Piston, Drive Plate, Flywheel, and Damper	
Crankshaft, Crankshaft Bearings, Damper And Flywheel 5.7L [EZH].....	Fig. 009EZH - 405
Pistons, Piston Rings, Connecting Rods And Connecting Rod Bearings 5.7L [EZH].....	Fig. 009EZH - 425
Camshaft and Valve	
Camshaft And Valvetrain 5.7L [EZH]	Fig. 009EZH - 505
Timing Belt/Chain and Cover and Balance Shaft	
Timing Case Cover 5.7L [EZH].....	Fig. 009EZH - 605
Timing System 5.7L [EZH].....	Fig. 009EZH - 625
Engine Oiling, Oil Pan and Indicator (Dipstick)	
Engine Oiling Pump 5.7L [EZH].....	Fig. 009EZH - 705
Engine Oil Pan, Engine Oil Level Indicator And Related Parts 5.7L [EZH]	Fig. 009EZH - 725
Engine Oil, Engine Oil Filter And Adapter 5.7L [EZH]	Fig. 009EZH - 745
Manifolds and Vacuum Fittings	
Exhaust Manifolds And Heat Shields 5.7L [EZH].....	Fig. 009EZH - 1005
Intake Manifold 5.7L [EZH]	Fig. 009EZH - 1025
Crankcase Ventilation	
Crankcase Ventilation 5.7L [EZH].....	Fig. 009EZH - 1105
Engine Mounting	
Engine Mounting Right Side RWD/2WD 5.7L [EZH]	Fig. 009EZH - 1220
Engine Mounting Right Side AWD 5.7L [EZH]	Fig. 009EZH - 1225
Engine Mounting Left Side RWD/2WD 5.7L [EZH]	Fig. 009EZH - 1235
Engine Mounting Left Side AWD 5.7L [EZH].....	Fig. 009EZH - 1240

**Engine Identification 5.7L [EZH]
Figure 009EZH-105**

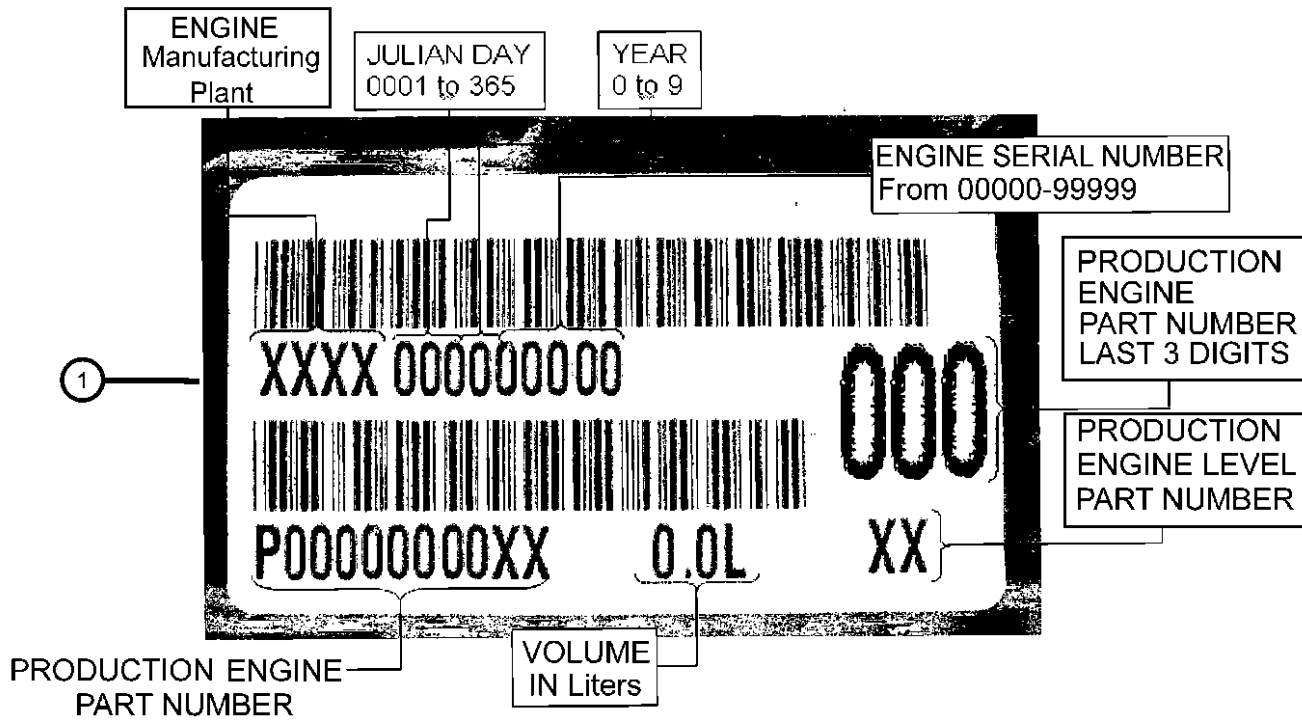
ITEM	PART NUMBER	QTY	LINE	SERIES	BODY	ENGINE	TRANS	TRIM	DESCRIPTION
------	-------------	-----	------	--------	------	--------	-------	------	-------------

Note:
The Engine Identification Label Is Attached To One Of The Cylinder Head Covers.
The Production Engine Part Number Is Not A Servicable Part Number.
A Engine Is Usally Serviced By A Long Block Or Short Block Engine.

1

1

LABEL, Engine Identification, See Note, (NOT SERVICED)



MAGNUM/300/CHARGER (LX)

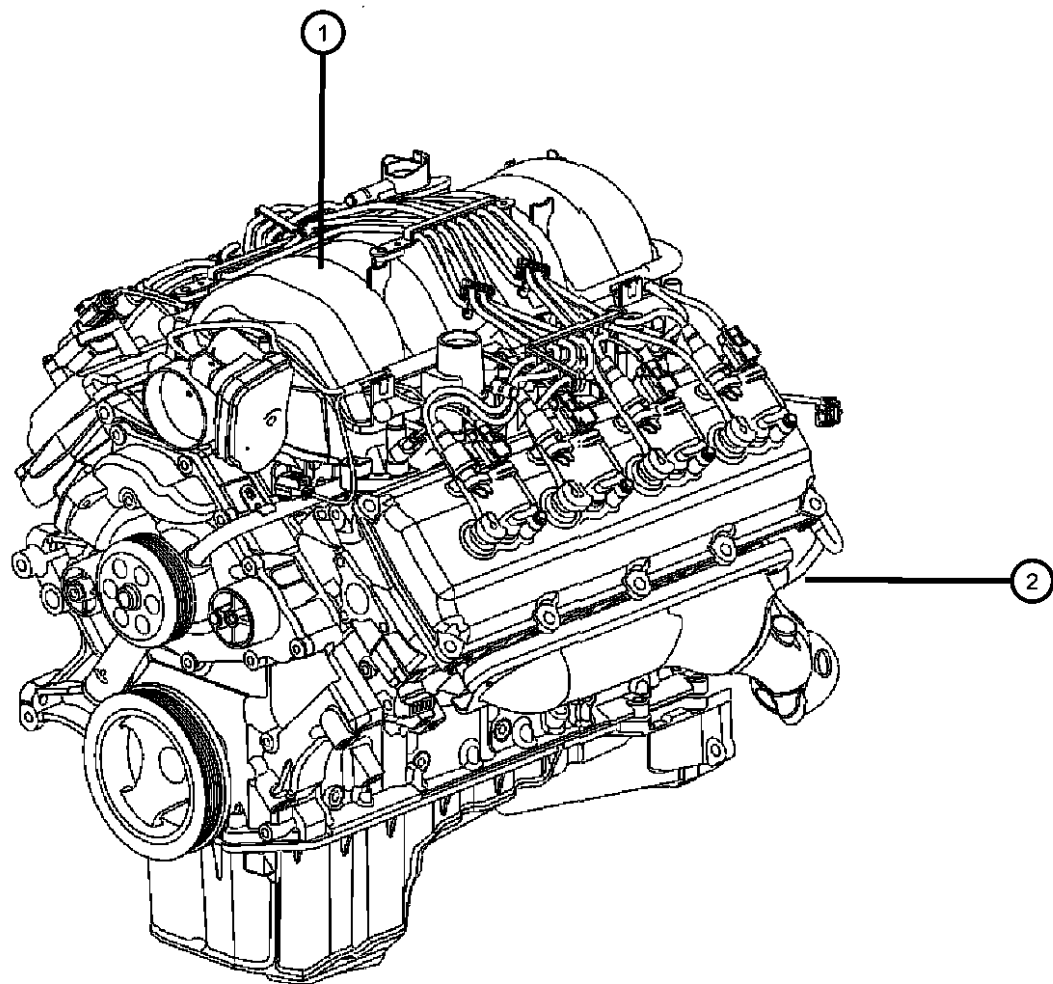
SERIES	LINE	BODY	ENGINE	TRANSMISSION
H = HIGHLINE	C = CHRYSLER	48 = SEDAN TYPE #8	ERB = 3.XL Mid V6 Engine	DGJ = 5-Speed Auto W5A580
P = PREMIUM	F = EAGLE		EZH = 5.7L V8 HEMI MDS	Transmission
S = SPORT			VCT Engine	

AR = use ase required - = Non illustrated part

2011 LX

**Engine Assembly And Service Long Block 5.7L [EZH]
Figure 009EZH-115**

ITEM	PART NUMBER	QTY	LINE	SERIES	BODY	ENGINE	TRANS	TRIM	DESCRIPTION
1		1							ENGINE, Complete, Serviced By New Short Block Only, (NOT SERVICED)
2		1							ENGINE, Long Block, Serviced By New Short Block Only, (NOT SERVICED)



MAGNUM/300/CHARGER (LX)

SERIES LINE
H = HIGHLINE C = CHRYSLER
P = PREMIUM F = EAGLE
S = SPORT

BODY
48 = SEDAN TYPE #8

ENGINE
ERB = 3.XL Mid V6 Engine
EZH = 5.7L V8 HEMI MDS VCT Engine

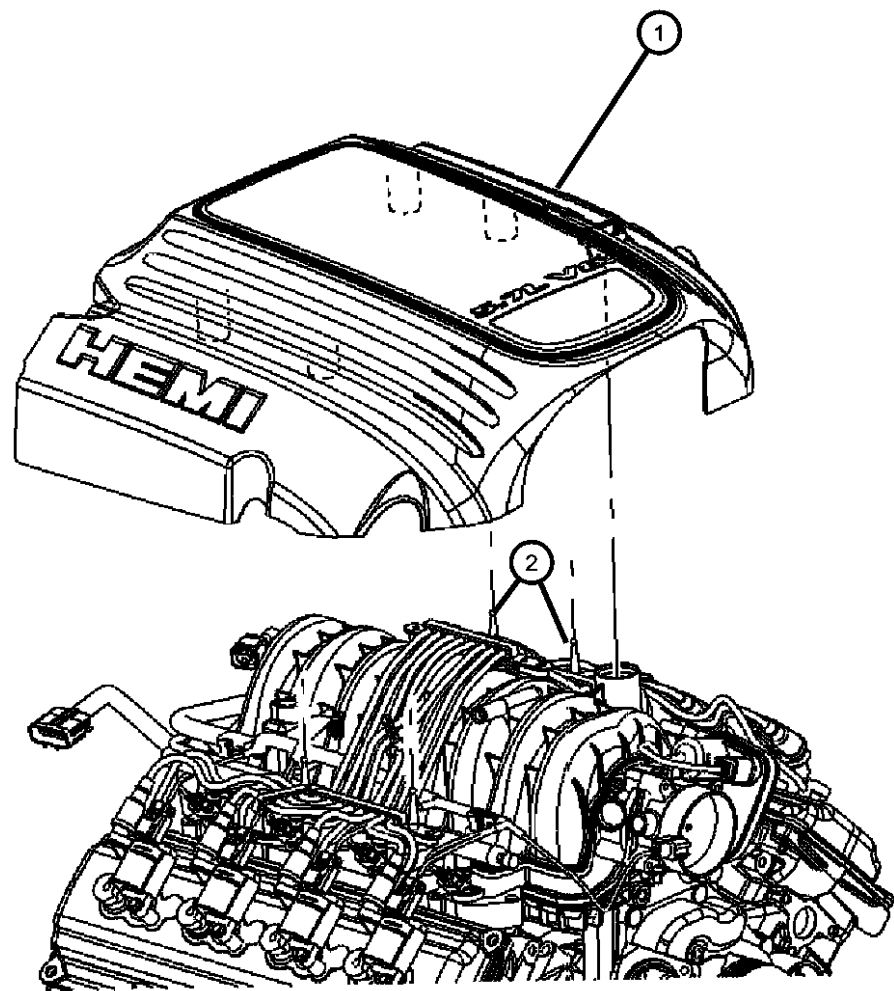
TRANSMISSION
DGJ = 5-Speed Auto W5A580 Transmission

AR = use ase required - = Non illustrated part

2011 LX

**Engine Cover And Related Parts 5.7L [EZH]
Figure 009EZH-125**

ITEM	PART NUMBER	QTY	LINE	SERIES	BODY	ENGINE	TRANS	TRIM	DESCRIPTION
1	04591895AH	1	C, F, Z			EZH			COVER, Engine
2	53013748AD	4	C, F, Z			EZH			BALL STUD, 60X2.14X21.59



MAGNUM/300/CHARGER (LX)

SERIES LINE
H = HIGHLINE C = CHRYSLER
P = PREMIUM F = EAGLE
S = SPORT

BODY
48 = SEDAN TYPE #8

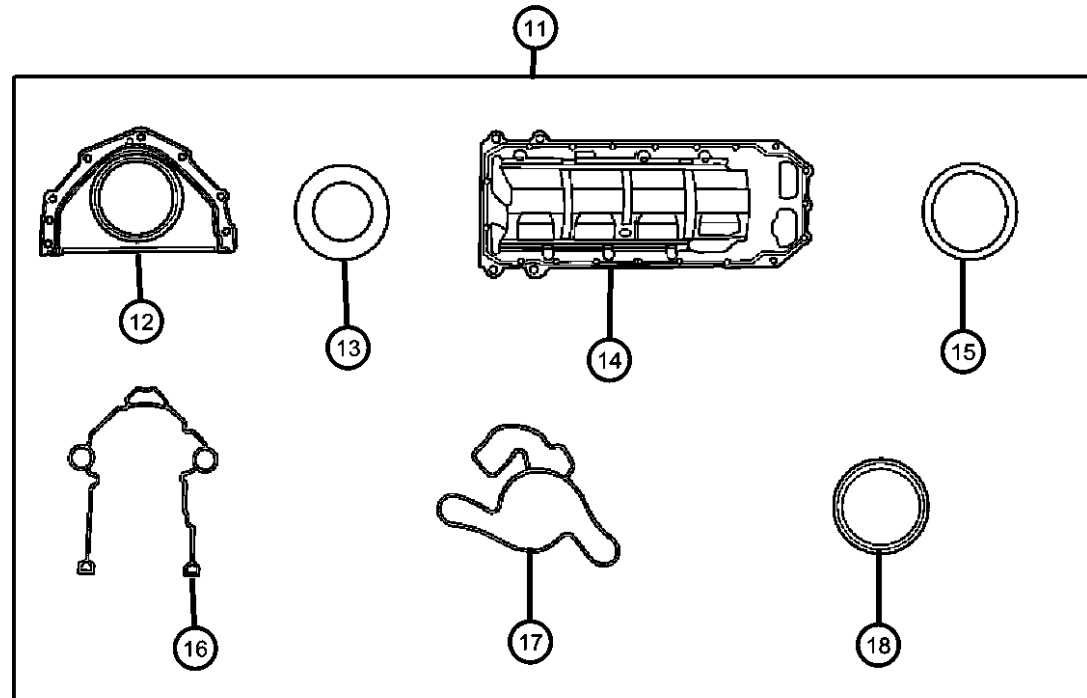
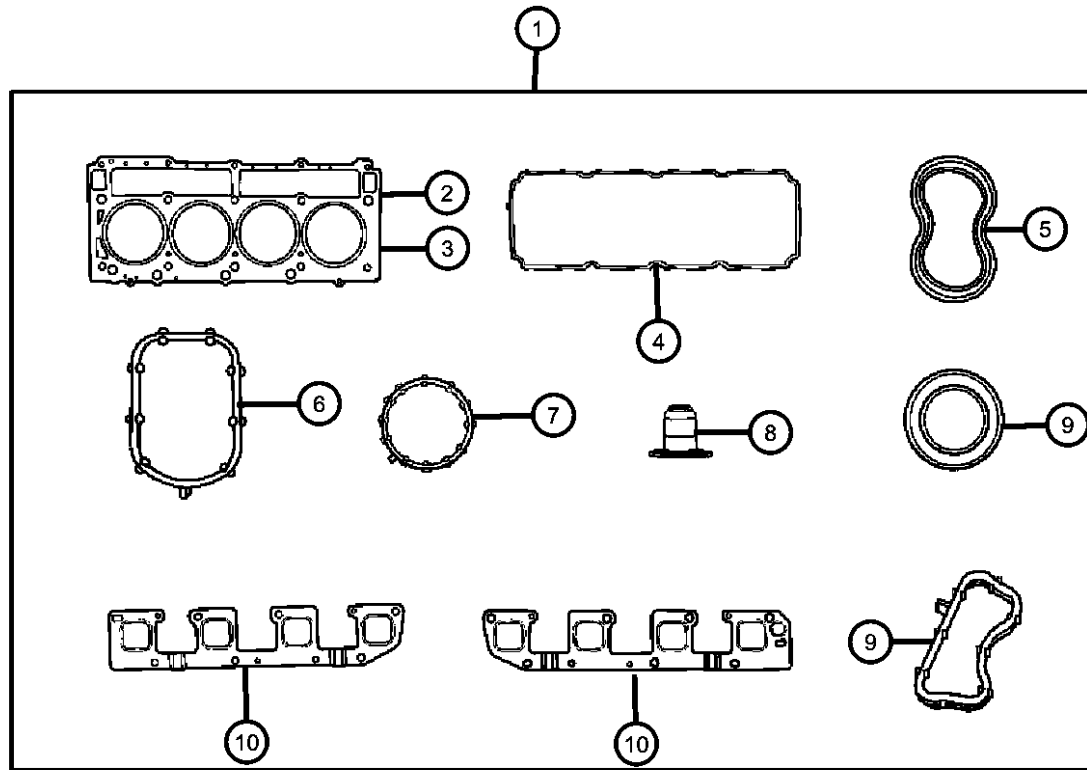
ENGINE
ERB = 3.XL Mid V6 Engine
EZH = 5.7L V8 HEMI MDS
VCT Engine

TRANSMISSION
DGJ = 5-Speed Auto W5A580
Transmission

AR = use ase required - = Non illustrated part

2011 LX

**Engine Gasket Kits 5.7L [EZH]
Figure 009EZH-145**



ITEM	PART NUMBER	QTY	LINE	SERIES	BODY	ENGINE	TRANS	TRIM	DESCRIPTION
1	68046260AA	2	C, F, Z			EZH			GASKET KIT, Engine, Upper
2	53022306AA	1	C, F, Z			EZH			GASKET, Cylinder Head, Right
3	53022307AA	1	C, F, Z			EZH			GASKET, Cylinder Head, Left
4	05114179AB	2	C, F, Z			EZH			GASKET KIT, Cylinder Head Cover
5	53021569AD	8	C, F, Z			EZH			GASKET, Spark Plug Well
6	53022143AB	8	C, F, Z			EZH			SEAL, Intake Manifold
7	53022320AB	1	C, F, Z			EZH			SEAL, Throttle Body to Intake
8	53022090AB	16	C, F			EZH			SEAL, Valve Guide
9									SEAL, PCV
	53032448AC	1	C, F, Z			EZH			Round
	53022142AB	2	C, F, Z			EZH			Square
10									GASKET, Exhaust Manifold
	53032965AF	1	C, F			EZH			Left
	53032966AF	1	C, F, Z			EZH			Right
11	05135457AF	1	F			EZH	DGJ		GASKET KIT, Engine, Lower
12	05140028AA	1	C, F, Z			EZH			RETAINER KIT, Crankshaft Rear Oil Seal
13	53021144AA	1	C, F, Z			EZH			O RING, Engine Oil Indicator Tube
14	04792874AA	1	C, F, Z			EZH			GASKET, Oil Pan
15	53020861	1	C, F, Z			EZH			SEAL, Oil Pick Up Tube
16	05139933AB	1	C, F, Z			EZH			GASKET KIT, Timing Cover
17	04792922AB	1	C, F, Z			EZH			GASKET, Water Pump
18	53021585AD	1	C, F, Z			EZH			SEAL, Crankshaft Oil, Front

MAGNUM/300/CHARGER (LX)

SERIES LINE
H = HIGHLINE C = CHRYSLER
P = PREMIUM F = EAGLE
S = SPORT

BODY
48 = SEDAN TYPE #8

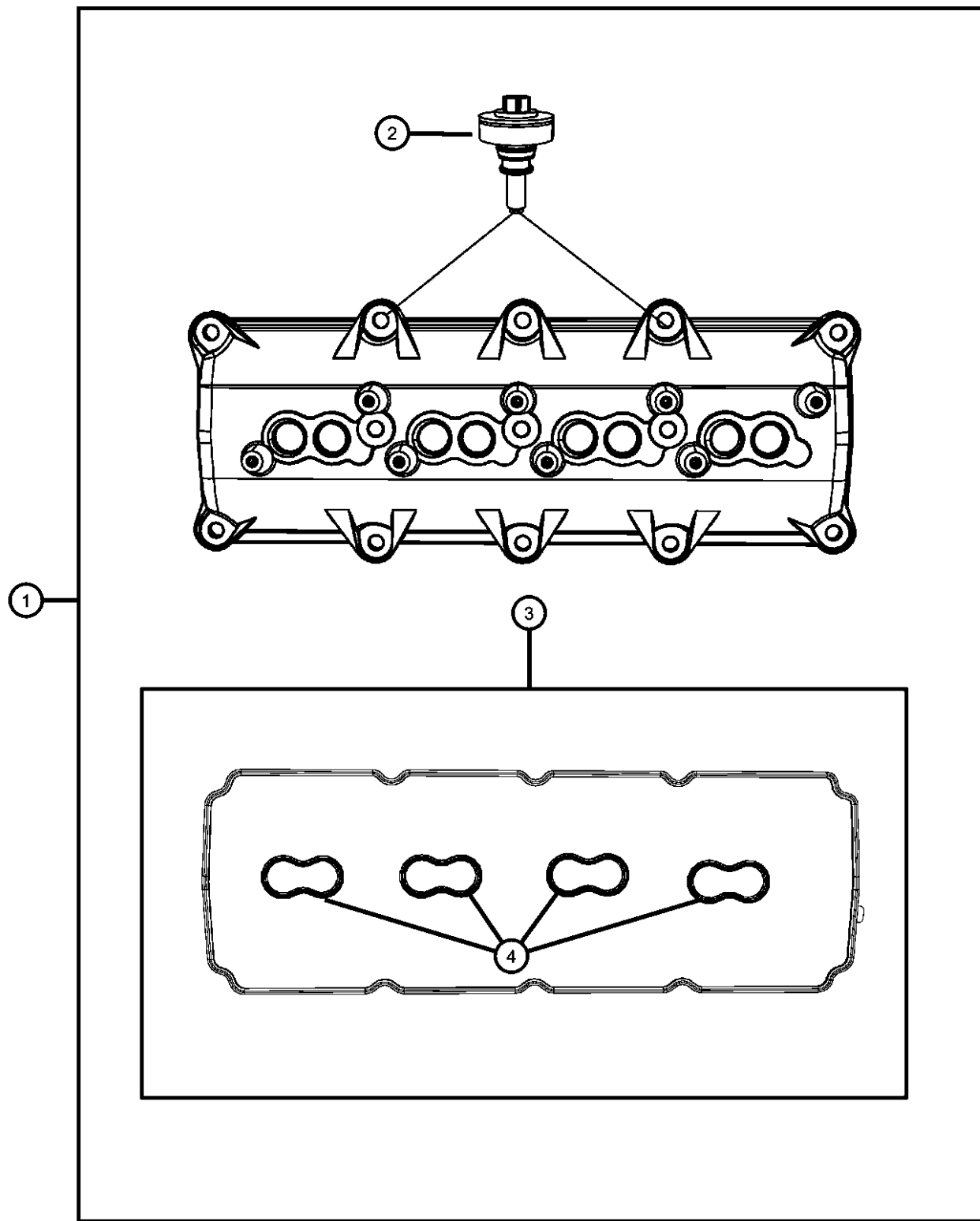
ENGINE
ERB = 3.XL Mid V6 Engine
EZH = 5.7L V8 HEMI MDS VCT Engine

TRANSMISSION
DGJ = 5-Speed Auto W5A580 Transmission

AR = use ase required - = Non illustrated part

2011 LX

**Cylinder Head Covers 5.7L [EZH]
Figure 009EZH-205**



ITEM	PART NUMBER	QTY	LINE	SERIES	BODY	ENGINE	TRANS	TRIM	DESCRIPTION
1	53022085AD	2	C, F, Z			EZH			COVER, Cylinder HeadRight And Left
2	06509387AA	20	C, F, Z			EZH			BOLT AND GROMMET, Special, M6X1.00X30.00, Cylinder Head Cover To Cylinder Head, Mounting
3	05114179AB	2	C, F, Z			EZH			GASKET KIT, Cylinder Head Cover
4	53021569AD	8	C, F, Z			EZH			GASKET, Spark Plug WellRight And Left

MAGNUM/300/CHARGER (LX)
 SERIES LINE
 H = HIGHLINE C = CHRYSLER
 P = PREMIUM F = EAGLE
 S = SPORT

BODY
 48 = SEDAN TYPE #8

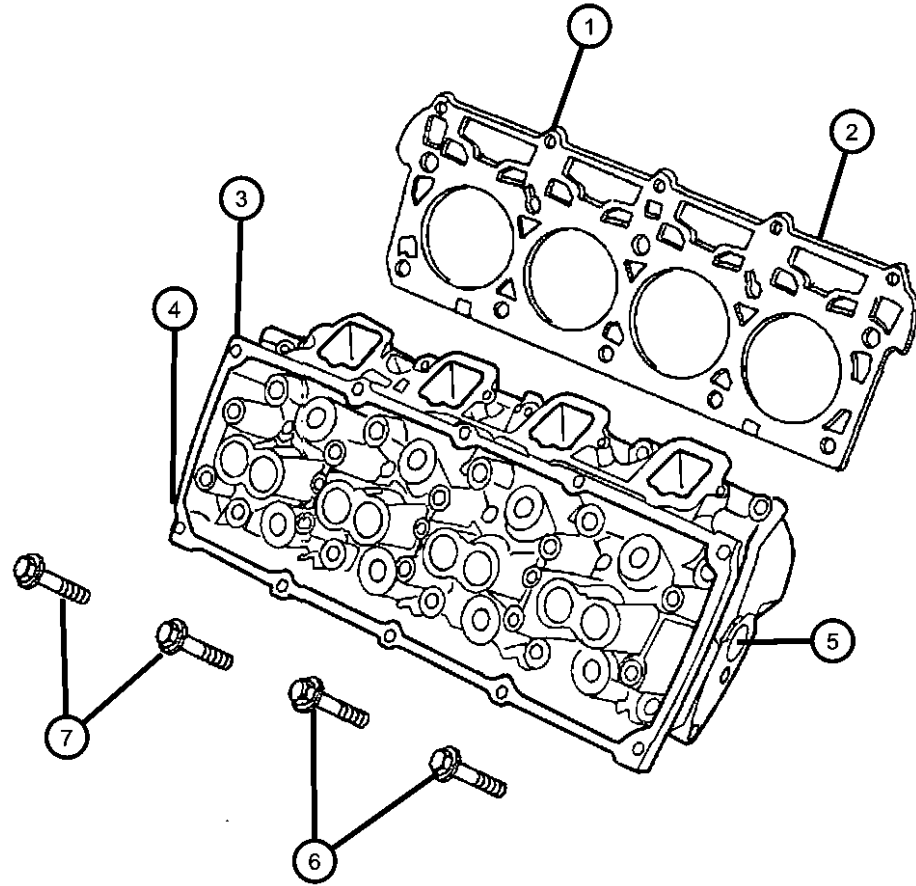
ENGINE
 ERB = 3.XL Mid V6 Engine
 EZH = 5.7L V8 HEMI MDS VCT Engine

TRANSMISSION
 DGJ = 5-Speed Auto W5A580 Transmission

AR = use ase required - = Non illustrated part

**Cylinder Heads 5.7L [EZH]
Figure 009EZH-225**

ITEM	PART NUMBER	QTY	LINE	SERIES	BODY	ENGINE	TRANS	TRIM	DESCRIPTION
1	53022306AA	1	C, F, Z			EZH			GASKET, Cylinder Head, Right
2	53022307AA	1	C, F, Z			EZH			GASKET, Cylinder Head, Left
3									HEAD, Cylinder, Right
	53021608DE	1	C, F, Z			EZH			
	RL021608DE	1				EZH			
4									HEAD, Cylinder, Left
	53021609DE	1	C, F, Z			EZH			
	RL021609DE	1				EZH			
5									PLUG, Core
	06036308AA	2	C, F, Z			EZH			Left Side, Cylinder Head
		2	C, F, Z			EZH			Right Side, Cylinder Head
6	06506334AA	10	C, F, Z			EZH			BOLT, Hex Flange Head, M8X1.25X45.00, Cylinder Head To Cylinder Block, Mounting
7	06506694AA	20	C, F, Z			EZH			BOLT AND CONED WASHER, Hex Head, M12X1.50X135.00, Cylinder Head To Cylinder Block, Mounting



MAGNUM/300/CHARGER (LX)

SERIES LINE
H = HIGHLINE C = CHRYSLER
P = PREMIUM F = EAGLE
S = SPORT

BODY
48 = SEDAN TYPE #8

ENGINE
ERB = 3.XL Mid V6 Engine
EZH = 5.7L V8 HEMI MDS VCT Engine

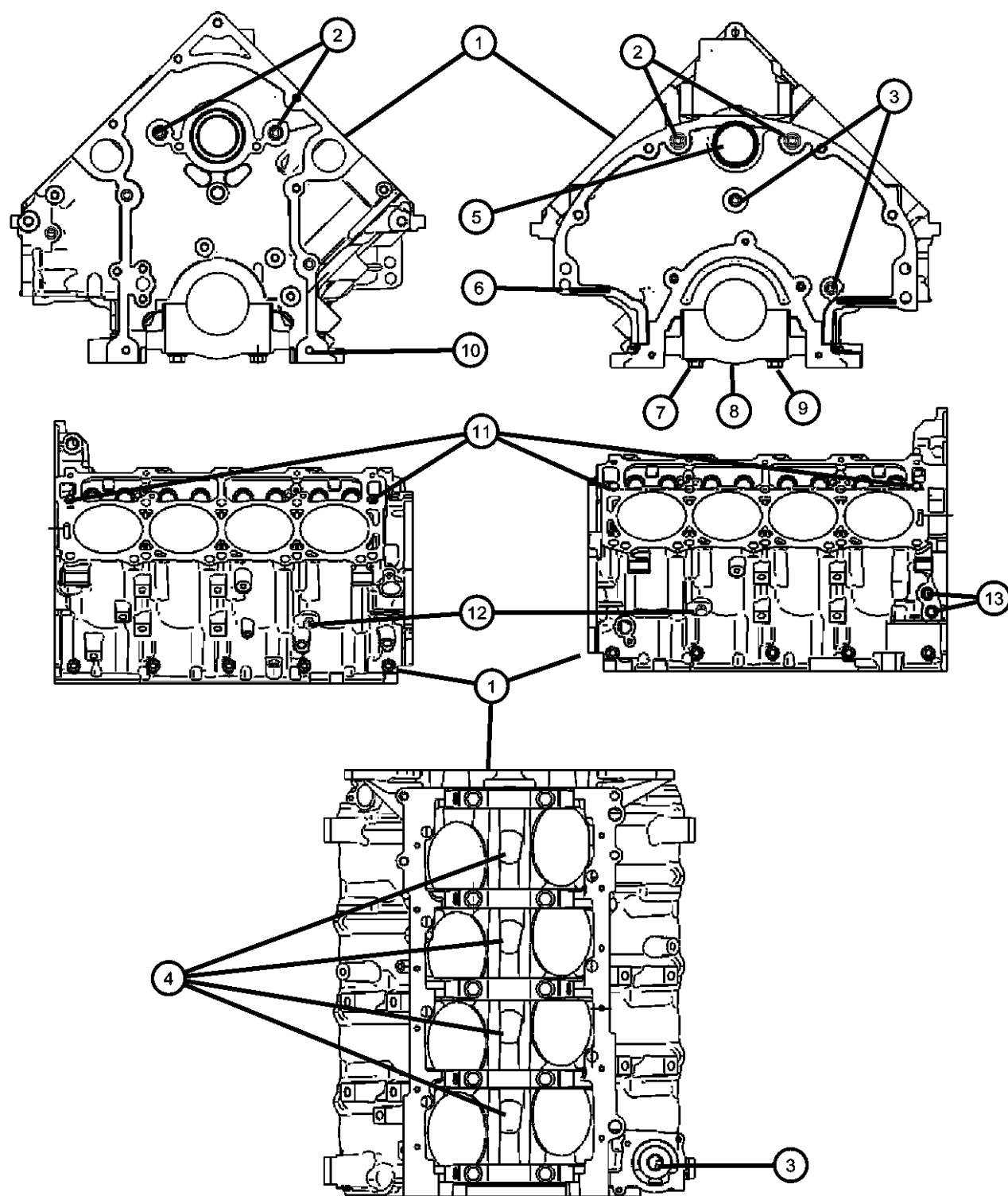
TRANSMISSION
DGJ = 5-Speed Auto W5A580 Transmission

AR = use ase required - = Non illustrated part

2011 LX

Engine Cylinder Block And Hardware 5.7L [EZH]

Figure 009EZH-305



ITEM	PART NUMBER	QTY	LINE	SERIES	BODY	ENGINE	TRANS	TRIM	DESCRIPTION
NOTE: Shortblock Does Not Include Camshaft, Lifters, Oil Pump Or Oil Pan, But Does Include The Camshaft Bearings.									
1	68061157AA	1	C			EZH	DGJ		ENGINE, Short Block, See Note
		1	F			EZH	DGJ		RWD
	RL061157AA	1	C			EZH	DGJ		AWD
		1	F			EZH	DGJ		
2	06036417AA	4	C, F, Z			EZH			PLUG, Cylinder Block, .375-18X1.343, Oil Gallery
3	06036307AA	2	C, F, Z			EZH			PLUG, Pipe, .250-18X.413
		1	C, F, Z			EZH			Oil Gallery
		1							Water Block Off
4		1							PLUG, Cylinder Block, .562X.280 Stainless, Used On Engines Without MDS Only, (NOT SERVICED),
5	06507663AA	1	C, F, Z			EZH			PLUG, Camshaft, [M47.93 OD 6.4 THK 51.5 FLG OD]Rear
6	01122532	2	C, F, Z			EZH			DOWEL, Block to Clutch Housing, 1/2X3/4
7		2							STUD, Double Ended, M12&M8, (NOT SERVICED)
8		2							CAP, Main, Serviced With New Short Block Engine, (NOT SERVICED)
9	06506272AA	10	C, F, Z			EZH			BOLT, Hex Flange Head, M12X1.75X91.50, Main Bearing Cap To Cylinder Block, Mounting
10	06506332AA	2	C, F, Z			EZH			PIN, Dowel, M8X10.00Mounting
11	05240849	4	C, F, Z			EZH			DOWEL PINMounting
12	06036592AA	2	C, F, Z			EZH			PLUG, .250-18X.690, Cylinder Block Coolant Drain
13	06034331	1	C, F, Z			EZH			PLUG, Hex Socket, 3/8-18NPTx.475, Oil Gallery

MAGNUM/300/CHARGER (LX)

SERIES LINE
 H = HIGHLINE C = CHRYSLER
 P = PREMIUM F = EAGLE
 S = SPORT

BODY
 48 = SEDAN TYPE #8

ENGINE
 ERB = 3.XL Mid V6 Engine
 EZH = 5.7L V8 HEMI MDS
 VCT Engine

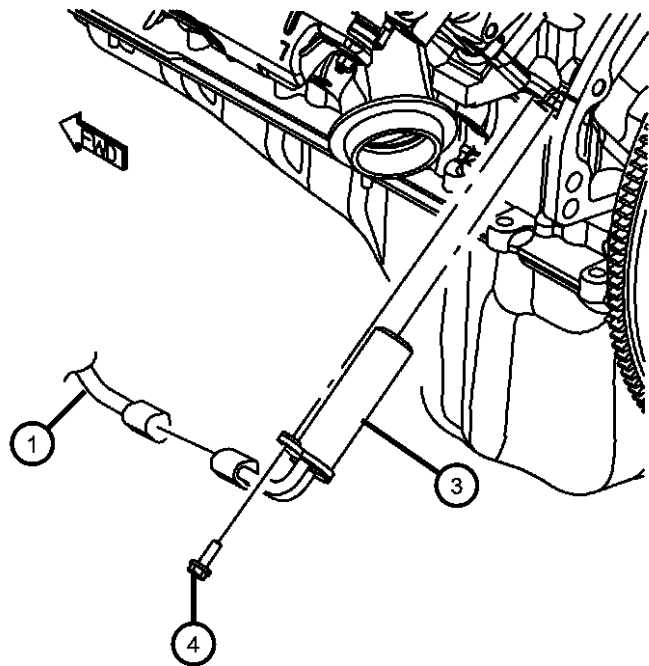
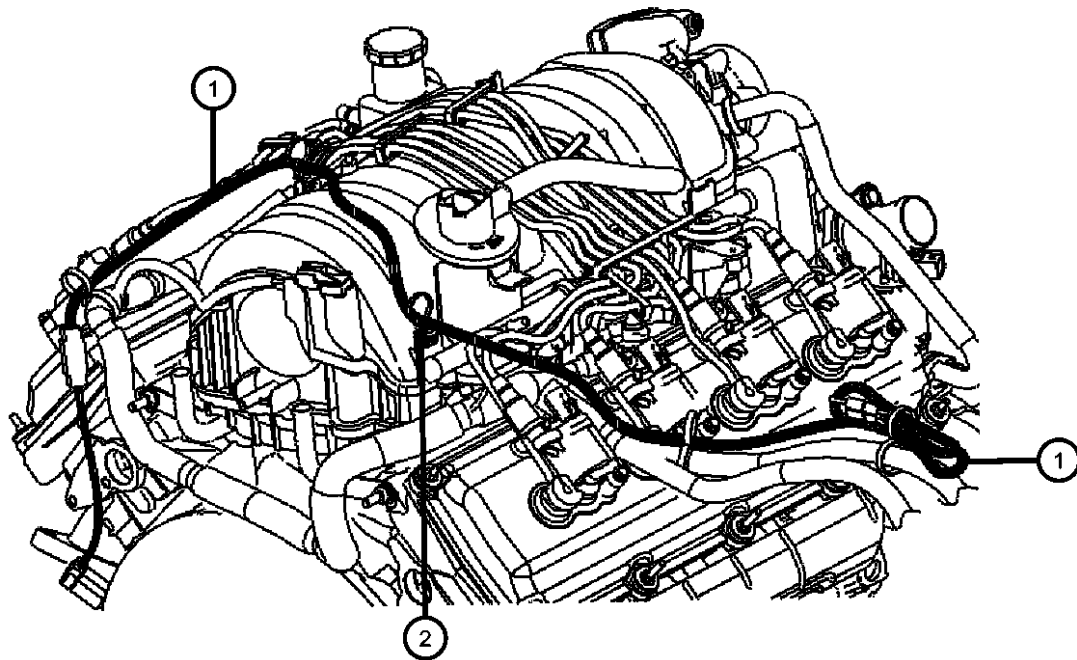
TRANSMISSION
 DGJ = 5-Speed Auto W5A580
 Transmission

AR = use ase required - = Non illustrated part

2011 LX

**Engine Cylinder Block Heater 5.7L [EZH]
Figure 009EZH-325**

ITEM	PART NUMBER	QTY	LINE	SERIES	BODY	ENGINE	TRANS	TRIM	DESCRIPTION
1	68083756AA	1	C, F, Z			EZH			CORD, Engine Block Heater
2		1							CLIP, Serviced With Cord Only, (NOT SERVICED)
3	05149022AB	1	C, F, Z			EZH			HEATER, Engine Block
4	06501373	1	C, F, Z			EZH			BOLT, Hex Head, M6x1.00x20.00, Engine Block Heater, Mounting



MAGNUM/300/CHARGER (LX)

SERIES LINE
H = HIGHLINE C = CHRYSLER
P = PREMIUM F = EAGLE
S = SPORT

BODY
48 = SEDAN TYPE #8

ENGINE
ERB = 3.XL Mid V6 Engine
EZH = 5.7L V8 HEMI MDS
VCT Engine

TRANSMISSION
DGJ = 5-Speed Auto W5A580
Transmission

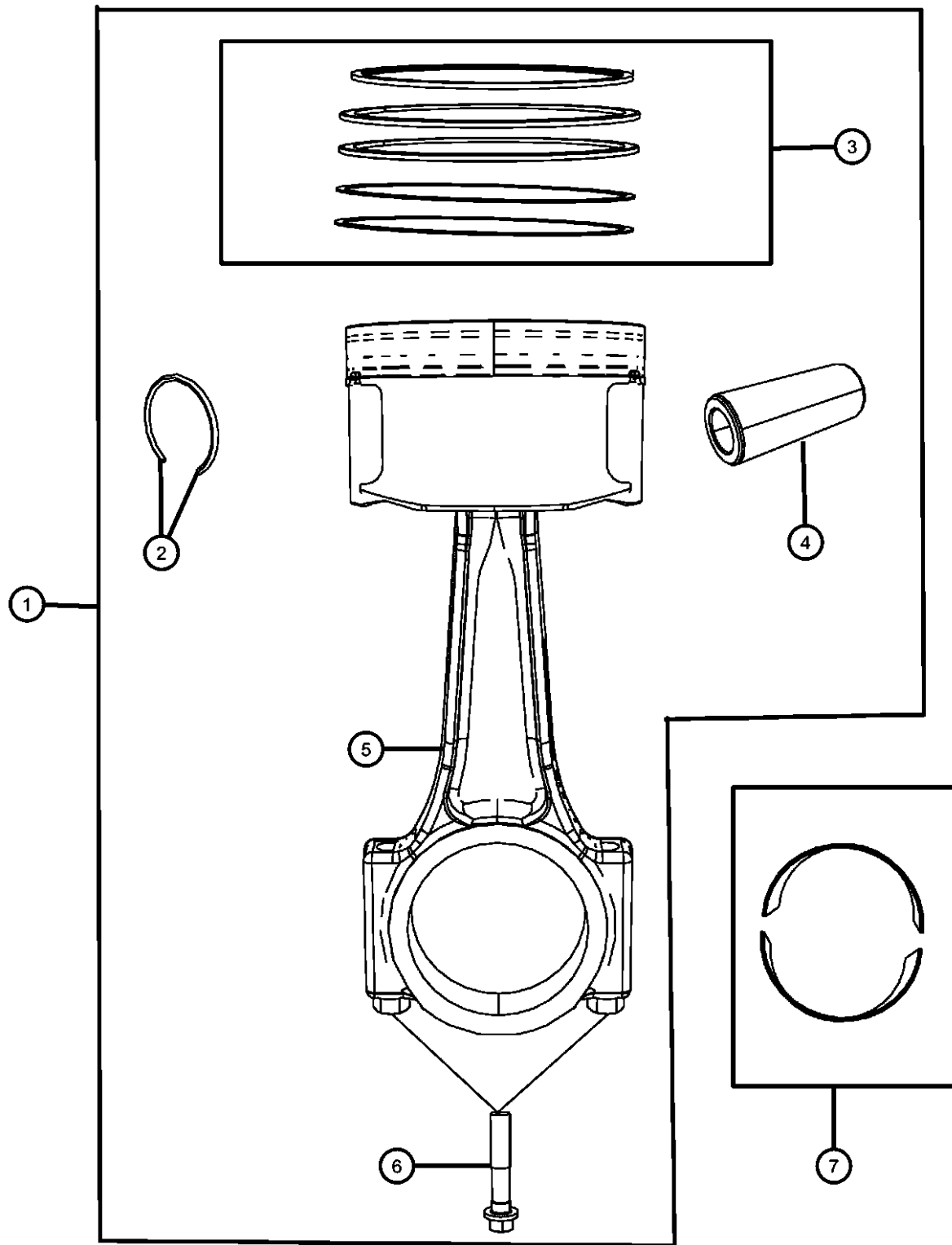
AR = use ase required - = Non illustrated part

**Pistons, Piston Rings, Connecting Rods And Connecting Rod Bearings 5.7L [EZH]
Figure 009EZH-425**

ITEM	PART NUMBER	QTY	LINE	SERIES	BODY	ENGINE	TRANS	TRIM	DESCRIPTION
------	-------------	-----	------	--------	------	--------	-------	------	-------------

NOTE: For Crankshaft Identification, Stamping Location And Bearing Information Refer To The Service Manual.
For Bearing Selection Sizes Please Refer To Service Manual Group 9, Bearings Crankshaft Main, [Select Fit Identification]

1	53022257AD	4	C, F, Z			EZH			PISTON PIN AND ROD Cylinders 1, 3, 5, 7
	53022258AD	4	C, F, Z			EZH			
2		4							RING, Piston Pin, Serviced With Piston Package, (NOT SERVICED),
3									RING KIT, Piston, Standard
	68046210AB	1	C			EZH	DGJ		PIN, Piston, Serviced With Piston Package, (NOT SERVICED)
4		1	F			EZH	DGJ		
5		1							ROD, Connecting, Serviced With Piston Package, (NOT SERVICED)
6	06506335AA	8	C, F, Z			EZH			BOLT, Connecting Rod
7	68029429AB	AR	C, F, Z			EZH			BEARING KIT, Connecting Rod, Standard, See Note



MAGNUM/300/CHARGER (LX)

SERIES LINE
H = HIGHLINE C = CHRYSLER
P = PREMIUM F = EAGLE
S = SPORT

BODY
48 = SEDAN TYPE #8

ENGINE
ERB = 3.XL Mid V6 Engine
EZH = 5.7L V8 HEMI MDS
VCT Engine

TRANSMISSION
DGJ = 5-Speed Auto W5A580
Transmission

AR = use ase required - = Non illustrated part

2011 LX

**Camshaft And Valvetrain 5.7L [EZH]
Figure 009EZH-505**

ITEM	PART NUMBER	QTY	LINE	SERIES	BODY	ENGINE	TRANS	TRIM	DESCRIPTION
------	-------------	-----	------	--------	------	--------	-------	------	-------------

Engine Build Date & Serial Number Must Verified.
New Damperless [1mm] Valve Spring Seats Are Installed In
These Engines Compared To The Old Dampered [2mm] Valve Spring Seats.

Engine Barcode Label Breaks Down As Listed Below:

TNXE6 = Engin

1	53021552AA	2	C, F, Z			EZH			ROCKER ARM, Intake
2	53021553AA	2	C, F, Z			EZH			ROCKER ARM, Exhaust
3									BOLT, Hex Flange Head, M8X1.25X50.00
	06507072AA	10	C, F, Z			EZH			Rocker Arm Shaft To Cylinder Head, Mounting
		10	C, F, Z			EZH			
4	53010515AA	32	C, F, Z			EZH			LOCK, Valve Spring Retainer
5	53021676AB	16	C, F, Z			EZH			RETAINER, Valve Spring
6	68080909AA	16	C, F			EZH			SPRING KIT, Valve
7	53022225AB	16	C, F, Z			EZH			SEAT, Valve Spring
8	53022090AB	16	C, F			EZH			SEAL, Valve Guide
9	53022087AA	8	C, F, Z			EZH			VALVE, Intake, Standard
10	53022088AB	8	C, F, Z			EZH			VALVE, Exhaust, Standard
11	53022178AE	1	C, F, Z			EZH			PLATE, Camshaft Thrust
12	06102205AA	4	C, F, Z			EZH			BOLT, Recessed Torx head, M6X1.00X15.00, Thrust Plate To Cylinder Block, Mounting
13	53022372AA	1	C, F, Z			EZH			CAMSHAFT, Engine
14	53022298AA	4	C, F, Z			EZH			SOLENOID, Multiple Displacement
15	06507663AA	1	C, F, Z			EZH			PLUG, CamshaftRear
16									LIFTERS AND YOKE, Hydraulic, Engine
	53021726BB	2	C, F, Z			EZH			Front
	53021728BB	1	C, F			EZH			Rear
17									BOLT, Hex Flange Head, M6x1.00x14.00
	06509208AA	2	C, F, Z			EZH			Lifter Guide To Cylinder Block, Mounting
		2	C, F, Z			EZH			
18									YOKE, Tappet Aligning
	53021727AC	2	C, F, Z			EZH			Front
	53021729AC	2	C, F, Z			EZH			Rear

MAGNUM/300/CHARGER (LX)

SERIES LINE
H = HIGHLINE C = CHRYSLER
P = PREMIUM F = EAGLE
S = SPORT

BODY
48 = SEDAN TYPE #8

ENGINE
ERB = 3.XL Mid V6 Engine
EZH = 5.7L V8 HEMI MDS
VCT Engine

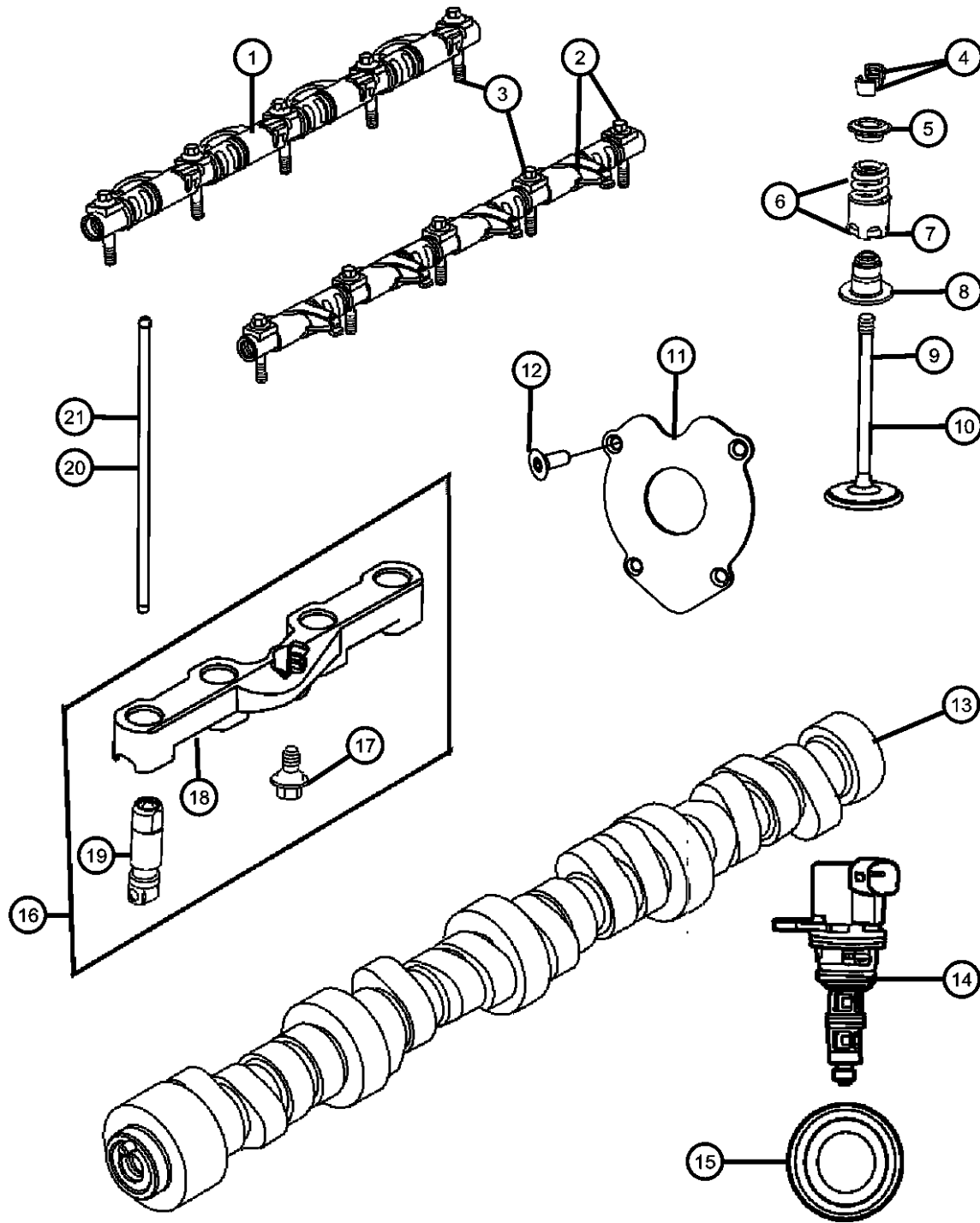
TRANSMISSION
DGJ = 5-Speed Auto W5A580
Transmission

AR = use ase required - = Non illustrated part

2011 LX

**Camshaft And Valvetrain 5.7L [EZH]
Figure 009EZH-505**

ITEM	PART NUMBER	QTY	LINE	SERIES	BODY	ENGINE	TRANS	TRIM	DESCRIPTION
19		2							LIFTER, Hydraulic Roller Deactivating, Serviced With Lifters And Yoke Assembly, (NOT SERVICED)
20	53021556BB	8	C, F, Z			EZH			PUSH ROD, Intake Valve
21	53021557BB	8	C, F, Z			EZH			PUSH ROD, Exhaust Valve



MAGNUM/300/CHARGER (LX)

SERIES LINE
H = HIGHLINE C = CHRYSLER
P = PREMIUM F = EAGLE
S = SPORT

BODY
48 = SEDAN TYPE #8

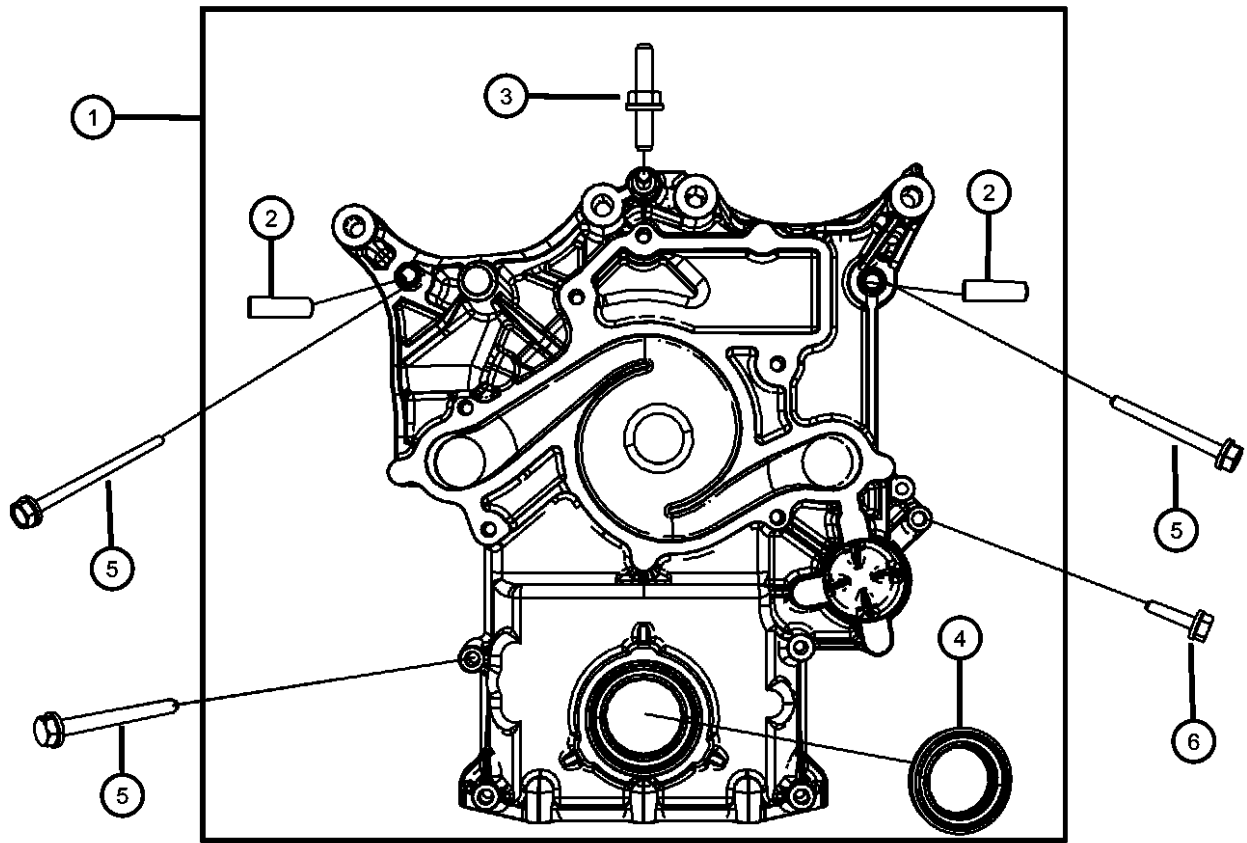
ENGINE
ERB = 3.XL Mid V6 Engine
EZH = 5.7L V8 HEMI MDS
VCT Engine

TRANSMISSION
DGJ = 5-Speed Auto W5A580
Transmission

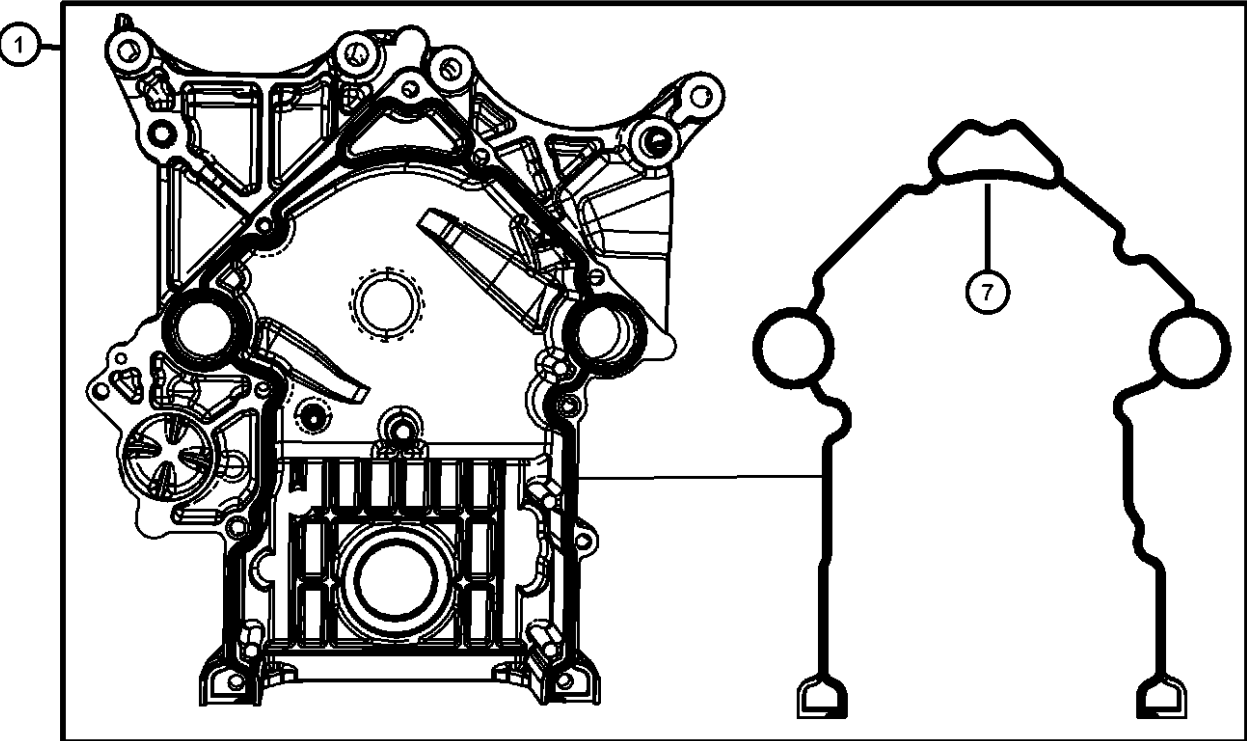
AR = use ase required - = Non illustrated part

2011 LX

Timing Case Cover 5.7L [EZH]
Figure 009EZH-605



ITEM	PART NUMBER	QTY	LINE	SERIES	BODY	ENGINE	TRANS	TRIM	DESCRIPTION
1	53022096AG	1	C, F, Z			EZH			COVER, Timing Case
2	06506697AA	2	C, F, Z			EZH			BUSHING, Timing Cover
3	06506343AA	1	C, F, Z			EZH			STUD, Double Ended, M10X1.50X25.00
4	53021585AD	1	C, F, Z			EZH			SEAL, Crankshaft Oil, Front
5									BOLT AND CONED WASHER, Hex Head, M8X1.25X85.00
	06102184AA	4	C, F, Z			EZH			Water Pump To Front Cover, Mounting
		4	C, F, Z			EZH			Front Cover To Cylinder Block, Mounting
6	06506269AA	5	C, F, Z			EZH			BOLT AND CONED WASHER, Hex Head, M8X1.25X35.00, Water Pump To Front Cover, Mounting
7	05139933AB	1	C, F, Z			EZH			GASKET KIT, Timing Cover



MAGNUM/300/CHARGER (LX)

SERIES LINE
H = HIGHLINE C = CHRYSLER
P = PREMIUM F = EAGLE
S = SPORT

BODY
48 = SEDAN TYPE #8

ENGINE
ERB = 3.XL Mid V6 Engine
EZH = 5.7L V8 HEMI MDS VCT Engine

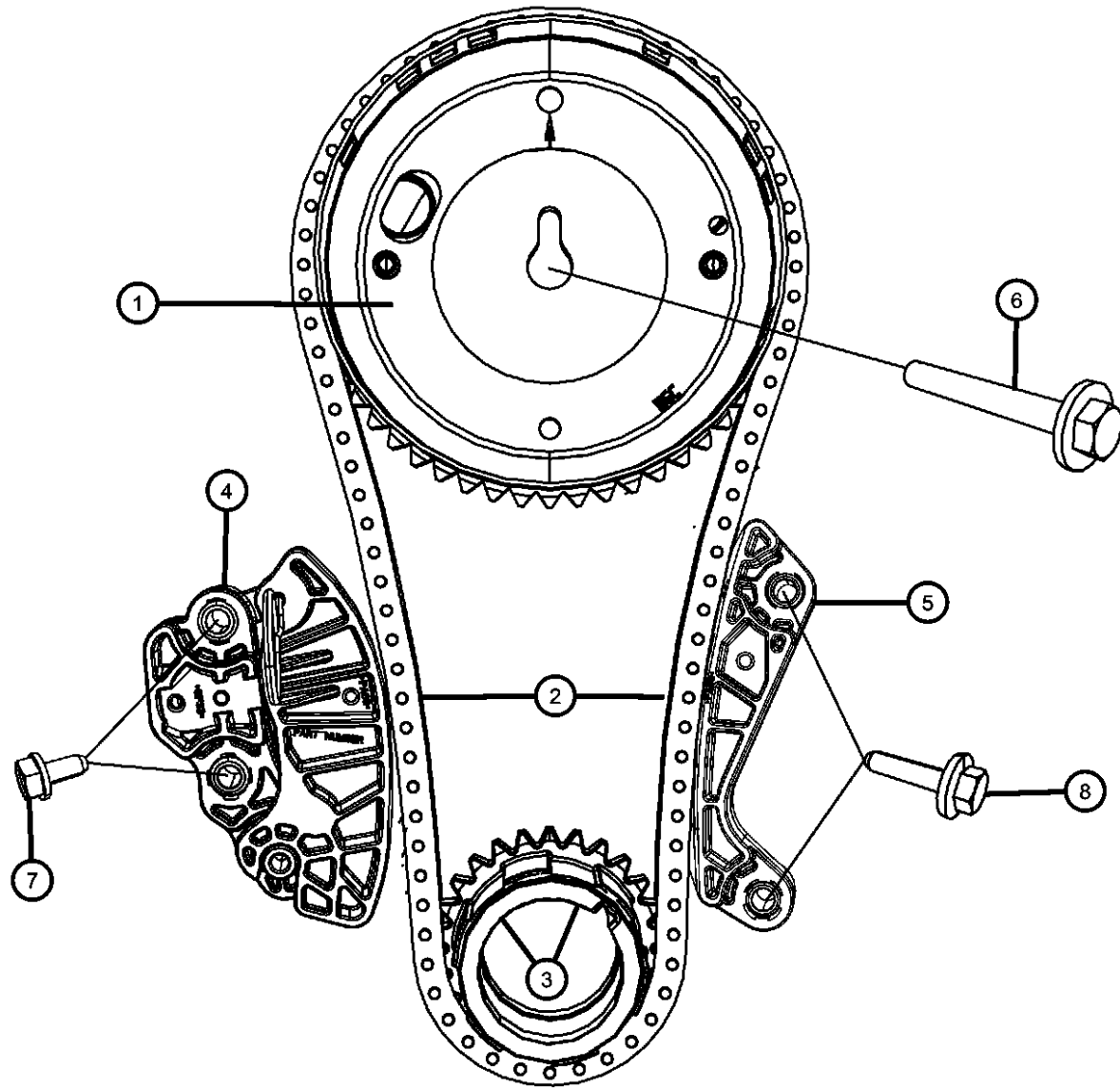
TRANSMISSION
DGJ = 5-Speed Auto W5A580 Transmission

AR = use ase required - = Non illustrated part

2011 LX

Timing System 5.7L [EZH]
Figure 009EZH-625

ITEM	PART NUMBER	QTY	LINE	SERIES	BODY	ENGINE	TRANS	TRIM	DESCRIPTION
1	53022243AF	1	C, F, Z			EZH			PHASER, Camshaft
2	53022316AC	1	C, F, Z			EZH			CHAIN, Timing
3	53022317AC	1	C, F, Z			EZH			SPROCKET, Crankshaft
4	53022115AG	1	C, F, Z			EZH			TENSIONER, Chain
5	53022315AD	1	C, F, Z			EZH			GUIDE, Timing Chain
6	06102430AA	1	C, F, Z			EZH			BOLT AND CONED WASHER, Hex Head, M12X1.75X95.00, Phaser To Camshaft, Mounting
7	06509174AA	4	C, F, Z			EZH			BOLT AND CONED WASHER, Hex Head, M6x1.00x30.00, Tensioner to Cylinder Block, Mounting
8	06102205AA	4	C, F, Z			EZH			BOLT, Recessed Torx head, M6X1.00X15.00, Thrust Plate To Cylinder Block, Mounting



MAGNUM/300/CHARGER (LX)

SERIES LINE
H = HIGHLINE C = CHRYSLER
P = PREMIUM F = EAGLE
S = SPORT

BODY
48 = SEDAN TYPE #8

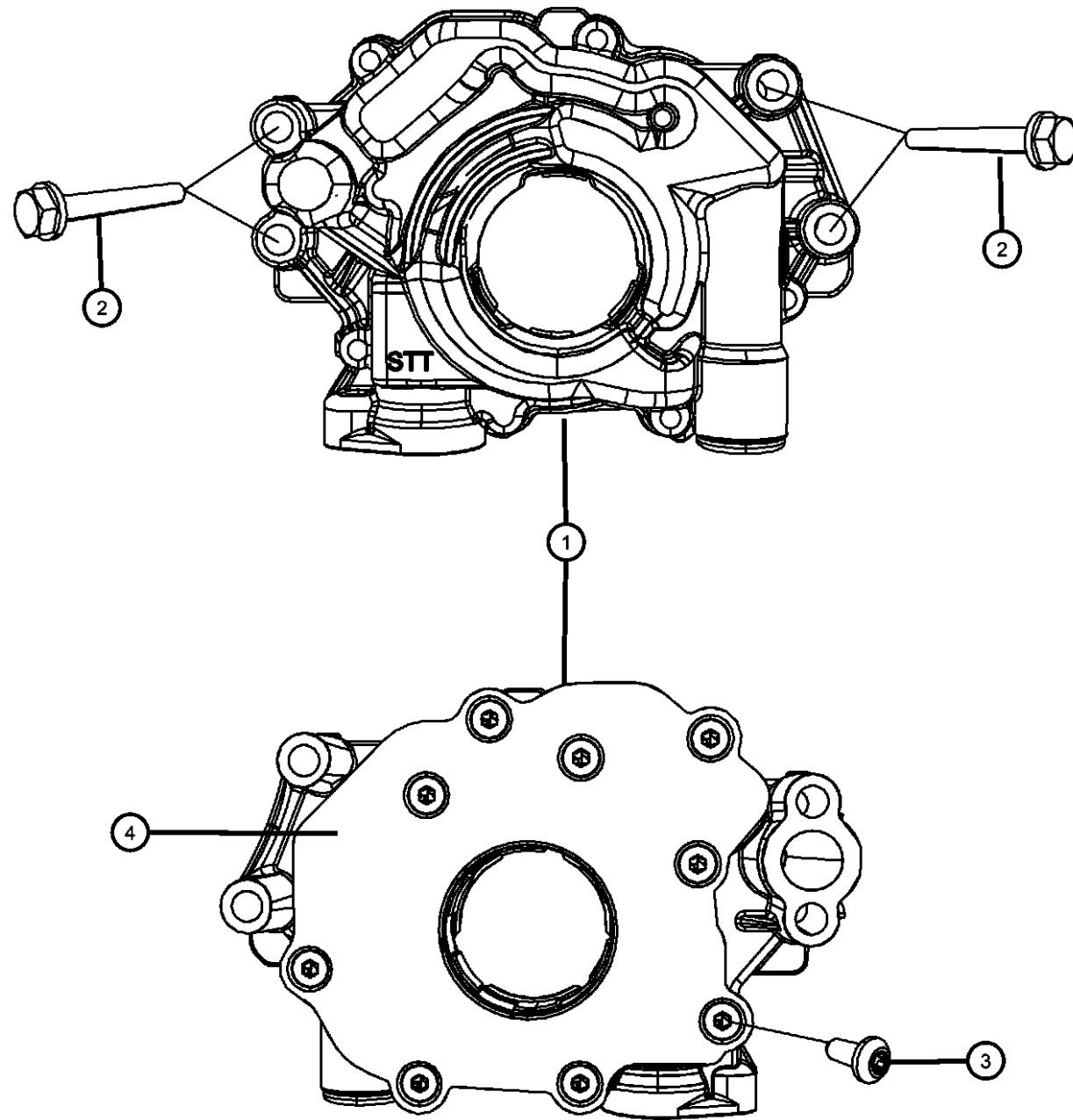
ENGINE
ERB = 3.XL Mid V6 Engine
EZH = 5.7L V8 HEMI MDS
VCT Engine

TRANSMISSION
DGJ = 5-Speed Auto W5A580
Transmission

AR = use ase required - = Non illustrated part

2011 LX

**Engine Oiling Pump 5.7L [EZH]
Figure 009EZH-705**



ITEM	PART NUMBER	QTY	LINE	SERIES	BODY	ENGINE	TRANS	TRIM	DESCRIPTION
1	53021622BF	1	C, F, Z			EZH			PUMP, Engine Oil
2	06101233	4	C, F, Z			EZH			BOLT AND CONED WASHER, Hex Head, M8X1.25X65.00, Oil Pump to Cylinder Block, Mounting
3		4							SCREW, Torx Head, M6x1.00x15.00, Serviced With Oil Pump, (NOT SERVICED)
4		4							COVER, Oil Pump Back, Serviced With Oil Pump, (NOT SERVICED)

MAGNUM/300/CHARGER (LX)

SERIES LINE
H = HIGHLINE C = CHRYSLER
P = PREMIUM F = EAGLE
S = SPORT

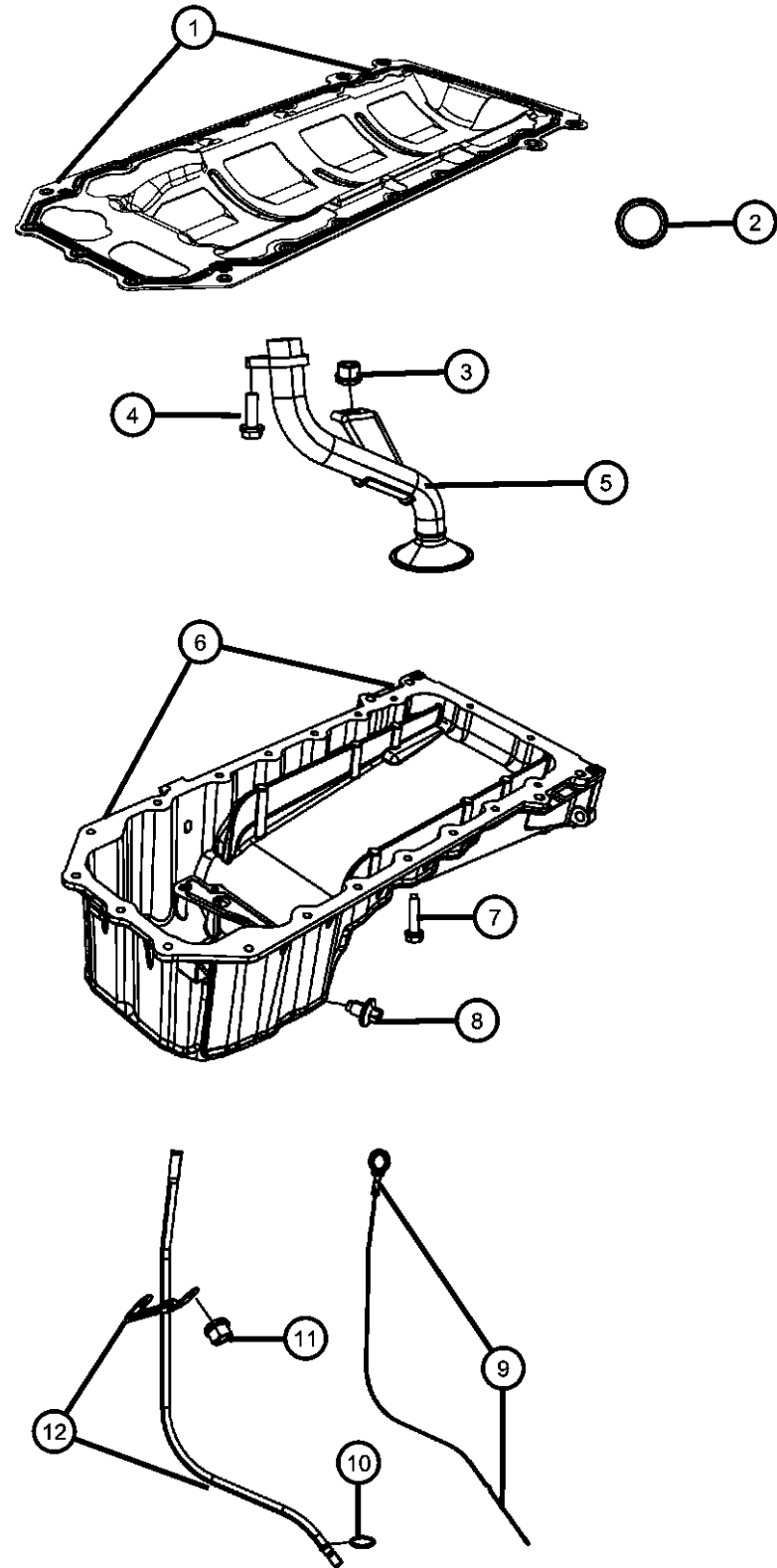
BODY
48 = SEDAN TYPE #8

ENGINE
ERB = 3.XL Mid V6 Engine
EZH = 5.7L V8 HEMI MDS VCT Engine

TRANSMISSION
DGJ = 5-Speed Auto W5A580 Transmission

AR = use ase required - = Non illustrated part

**Engine Oil Pan, Engine Oil Level Indicator And Related Parts 5.7L [EZH]
Figure 009EZH-725**



ITEM	PART NUMBER	QTY	LINE	SERIES	BODY	ENGINE	TRANS	TRIM	DESCRIPTION
1	04792874AA	1	C, F, Z			EZH			GASKET, Oil Pan
2	53020861	1	C, F, Z			EZH			SEAL, Oil Pick Up Tube
3	06502756	3	C, F						NUT, Hex Lock, M8x1.25, Pickup Tube To Cylinder Block, Mounting
4	06102046AA	1	C, F, Z			EZH			BOLT AND CONED WASHER, Hex Head, M8X1.25X27.00, Pickup Tube To Cylinder Block, Mounting
5	04792990BB	1	F			EZH			TUBE, Oil Pickup
	04792857BB	1	C, Z			EZH			AWD
6	04792870AA	1	C, Z			EZH			PAN, Engine Oil
	04792973AC	1	F			EZH			RWD
									AWD
7	06508448AA	19	C, F, Z			EZH			BOLT AND CONED WASHER, Hex Head, M6X1.00X25.00, Oil Pan To Cylinder Block, Mounting
8	06507741AA	1	F			EZH			PLUG, Oil Drain
9	53013835AD	1	F			EZH			INDICATOR, Engine Oil Level
	04792872AE	1	C, Z			EZH			AWD
									RWD
10	53021144AA	1	C, F, Z			EZH			O RING, Engine Oil Indicator Tube
11	06505316AA	1	C, F, Z			EZH			NUT, Hex Flange Lock, M6X1.00, Engine Oil Level Indicator Tube, Mounting
12	53013977AB	1	C, Z			EZH			TUBE, Engine Oil Indicator
	53013979AC	1	F			EZH			RWD
									AWD

MAGNUM/300/CHARGER (LX)

SERIES LINE
H = HIGHLINE C = CHRYSLER
P = PREMIUM F = EAGLE
S = SPORT

BODY
48 = SEDAN TYPE #8

ENGINE
ERB = 3.XL Mid V6 Engine
EZH = 5.7L V8 HEMI MDS
VCT Engine

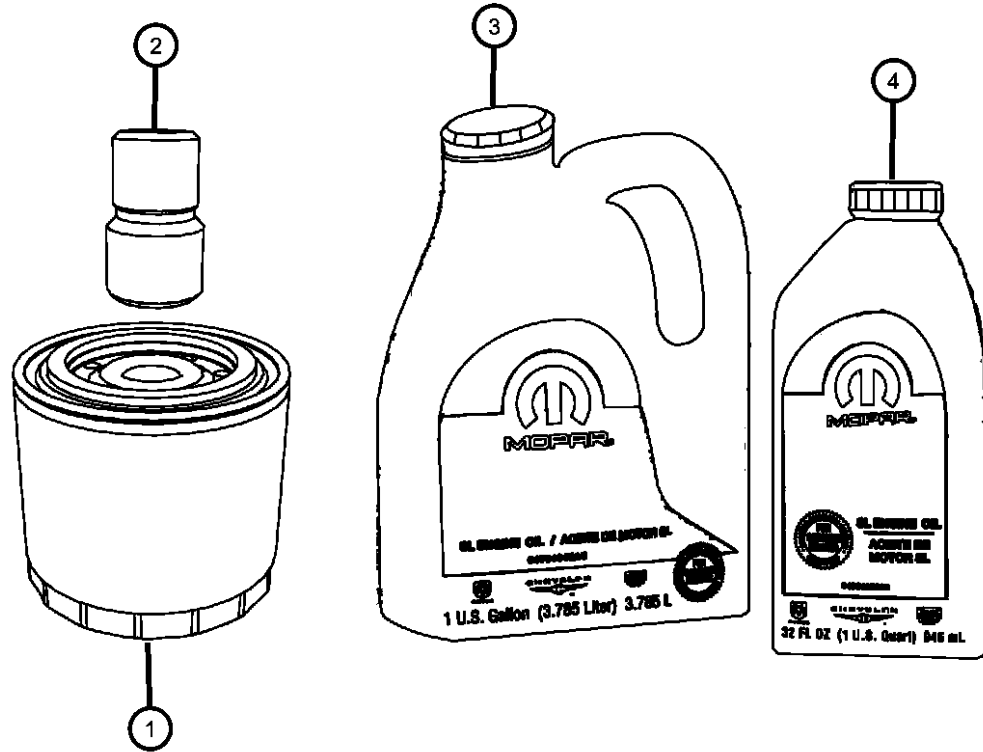
TRANSMISSION
DGJ = 5-Speed Auto W5A580
Transmission

AR = use ase required - = Non illustrated part

2011 LX

**Engine Oil, Engine Oil Filter And Adapter 5.7L [EZH]
Figure 009EZH-745**

ITEM	PART NUMBER	QTY	LINE	SERIES	BODY	ENGINE	TRANS	TRIM	DESCRIPTION
1	04884899AB	1	C, F, Z			EZH			FILTER, Engine Oil
2	04892338AA	1	C, F, Z			EZH			CONNECTOR, Oil Filter, M22X1.50
3	04761851AF	AR	C, F, Z			EZH			ENGINE OIL, 5W20, Gallon, MS-10797 [API SM ILSAC GF-4], [128 Fluid Ounces] Minimum Ship Quantity Of 4
4	04761872MA	AR	C, F, Z			EZH			ENGINE OIL, 5W20, Quart, MS-10797 [API SM ILSAC GF-4], [32 Fluid Ounces] Minimum Ship Quantity Of 12

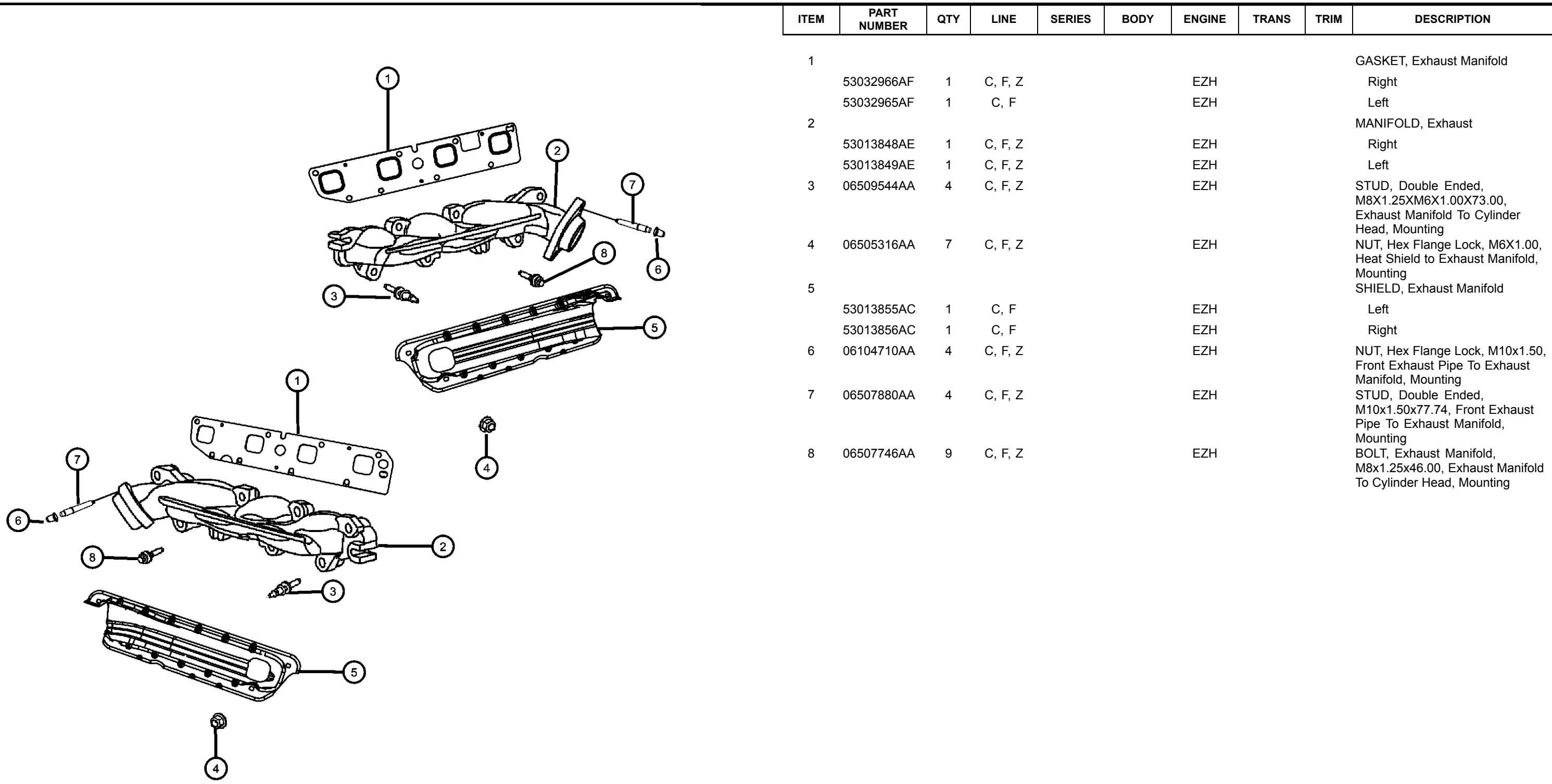


MAGNUM/300/CHARGER (LX)

SERIES	LINE	BODY	ENGINE	TRANSMISSION
H = HIGHLINE	C = CHRYSLER	48 = SEDAN TYPE #8	ERB = 3.XL Mid V6 Engine	DGJ = 5-Speed Auto W5A580
P = PREMIUM	F = EAGLE		EZH = 5.7L V8 HEMI MDS	Transmission
S = SPORT			VCT Engine	

AR = use ase required - = Non illustrated part

**Exhaust Manifolds And Heat Shields 5.7L [EZH]
Figure 009EZH-1005**



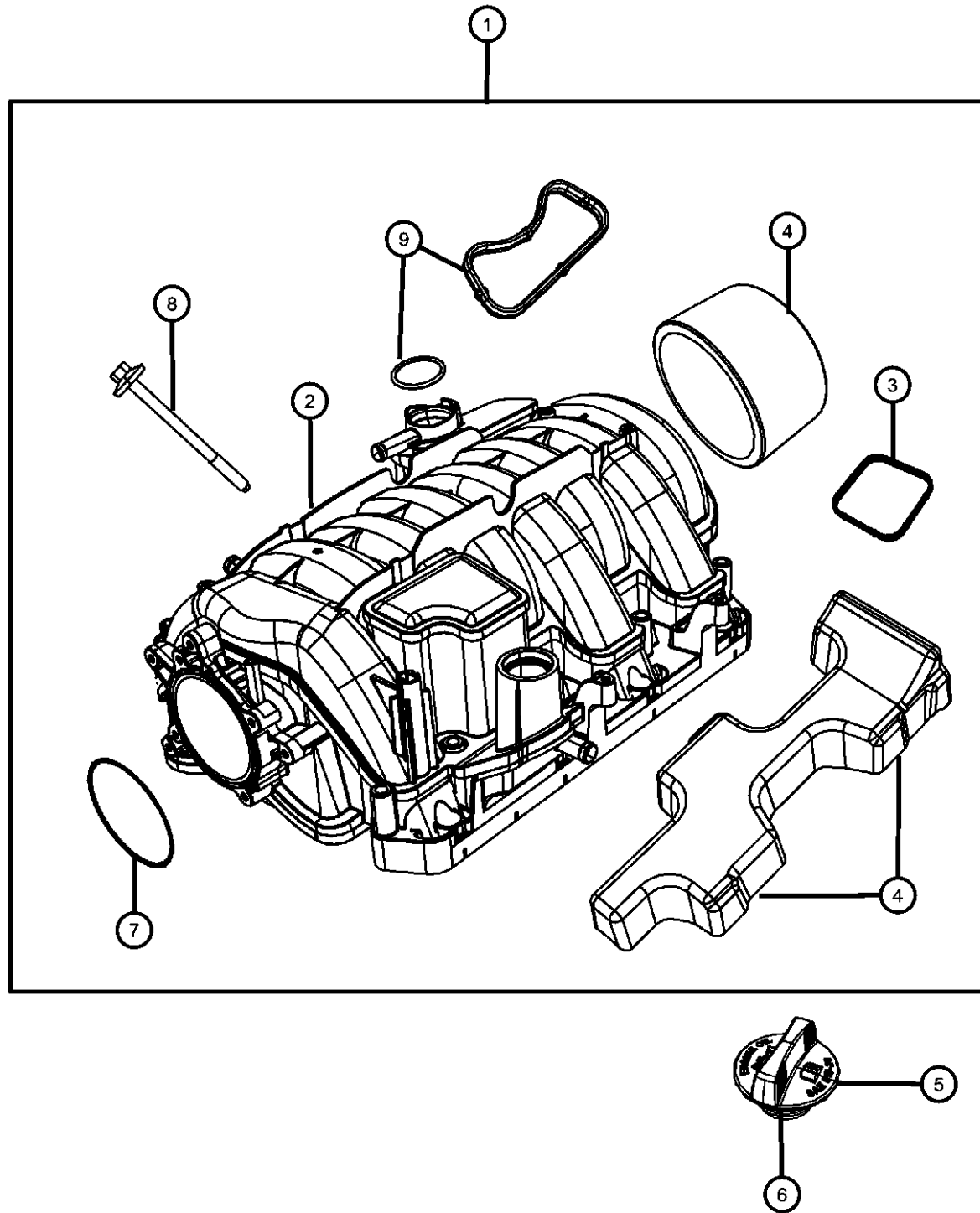
ITEM	PART NUMBER	QTY	LINE	SERIES	BODY	ENGINE	TRANS	TRIM	DESCRIPTION
1	53032966AF	1	C, F, Z			EZH			GASKET, Exhaust Manifold Right
	53032965AF	1	C, F			EZH			Left
2	53013848AE	1	C, F, Z			EZH			MANIFOLD, Exhaust Right
	53013849AE	1	C, F, Z			EZH			Left
3	06509544AA	4	C, F, Z			EZH			STUD, Double Ended, M8X1.25XM6X1.00X73.00, Exhaust Manifold To Cylinder Head, Mounting
4	06505316AA	7	C, F, Z			EZH			NUT, Hex Flange Lock, M6X1.00, Heat Shield to Exhaust Manifold, Mounting
5	53013855AC	1	C, F			EZH			SHIELD, Exhaust Manifold Left
	53013856AC	1	C, F			EZH			Right
6	06104710AA	4	C, F, Z			EZH			NUT, Hex Flange Lock, M10x1.50, Front Exhaust Pipe To Exhaust Manifold, Mounting
7	06507880AA	4	C, F, Z			EZH			STUD, Double Ended, M10x1.50x77.74, Front Exhaust Pipe To Exhaust Manifold, Mounting
8	06507746AA	9	C, F, Z			EZH			BOLT, Exhaust Manifold, M8x1.25x46.00, Exhaust Manifold To Cylinder Head, Mounting

MAGNUM/300/CHARGER (LX)

SERIES	LINE	BODY	ENGINE	TRANSMISSION
H = HIGHLINE P = PREMIUM S = SPORT	C = CHRYSLER F = EAGLE	48 = SEDAN TYPE #8	ERB = 3.XL Mid V6 Engine EZH = 5.7L V8 HEMI MDS VCT Engine	DGJ = 5-Speed Auto W5A580 Transmission

AR = use ase required - = Non illustrated part

Intake Manifold 5.7L [EZH]
Figure 009EZH-1025



ITEM	PART NUMBER	QTY	LINE	SERIES	BODY	ENGINE	TRANS	TRIM	DESCRIPTION
1	68048131AB	1	C, F, Z			EZH			MANIFOLD KIT, Engine Intake
2		1							MANIFOLD, Engine Intake, Serviced In Intake Manifold Kit, (NOT SERVICED)
3	53022143AB	8	C, F, Z			EZH			SEAL, Intake Manifold
4									PAD, Engine
	53013735AB	1	C, F, Z			EZH			Rear Of Intake Manifold [Round]
	53013981AD	1	C, F, Z			EZH			Engine Valley Cover
5	53013775AA	1	C, F, Z			EZH			CAP, Oil Filler
6	68029299AA	1	C, F, Z			EZH			O RING, Oil Filler Cap
7	53022320AB	1	C, F, Z			EZH			SEAL, Throttle Body to Intake
8									BOLT AND CONED WASHER, Hex Head, M6X1.00X81.00
	06509246AA	10	C, F, Z			EZH			Intake Manifold To Cylinder Head, Mounting
		10	C, F, Z			EZH			,
9									SEAL, PCV
	53022142AB	2	C, F, Z			EZH			Rectangle
	53032448AC	1	C, F, Z			EZH			Round

MAGNUM/300/CHARGER (LX)

SERIES LINE
H = HIGHLINE C = CHRYSLER
P = PREMIUM F = EAGLE
S = SPORT

BODY
48 = SEDAN TYPE #8

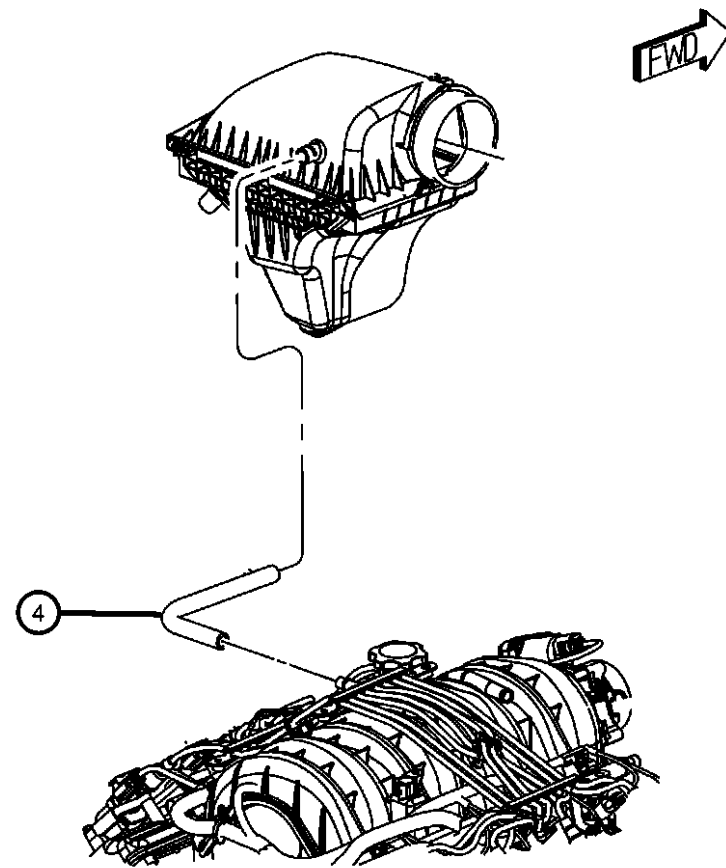
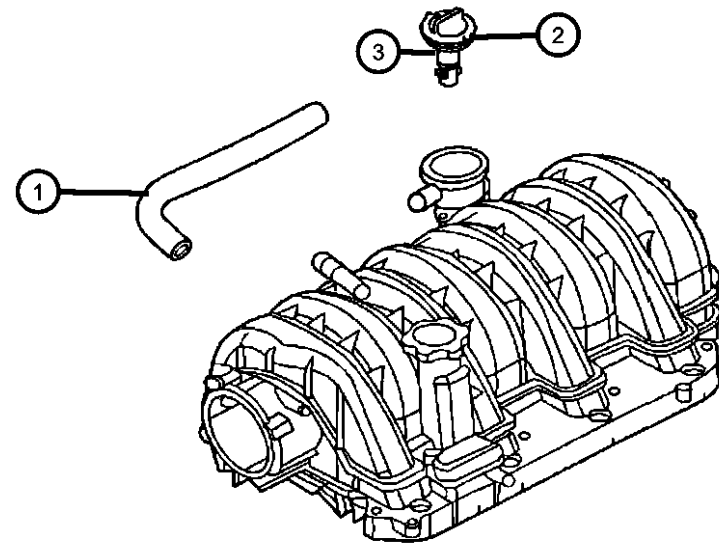
ENGINE
ERB = 3.XL Mid V6 Engine
EZH = 5.7L V8 HEMI MDS
VCT Engine

TRANSMISSION
DGJ = 5-Speed Auto W5A580
Transmission

AR = use ase required - = Non illustrated part

2011 LX

**Crankcase Ventilation 5.7L [EZH]
Figure 009EZH-1105**



ITEM	PART NUMBER	QTY	LINE	SERIES	BODY	ENGINE	TRANS	TRIM	DESCRIPTION
1	04591961AD	1	C, F, Z			EZH			HOSE, PCV Valve To intake Manifold
2	53032940AB	1	C, F, Z			EZH			VALVE, PCV
3	53022142AB	2	C, F, Z			EZH			SEAL, PCV Rectangle
	53032448AC	1	C, F, Z			EZH			Round O-Ring on PCV Valve
4	04593974AA	1	C, F, Z			EZH			HOSE, Make Up Air

MAGNUM/300/CHARGER (LX)

SERIES LINE
H = HIGHLINE C = CHRYSLER
P = PREMIUM F = EAGLE
S = SPORT

BODY
48 = SEDAN TYPE #8

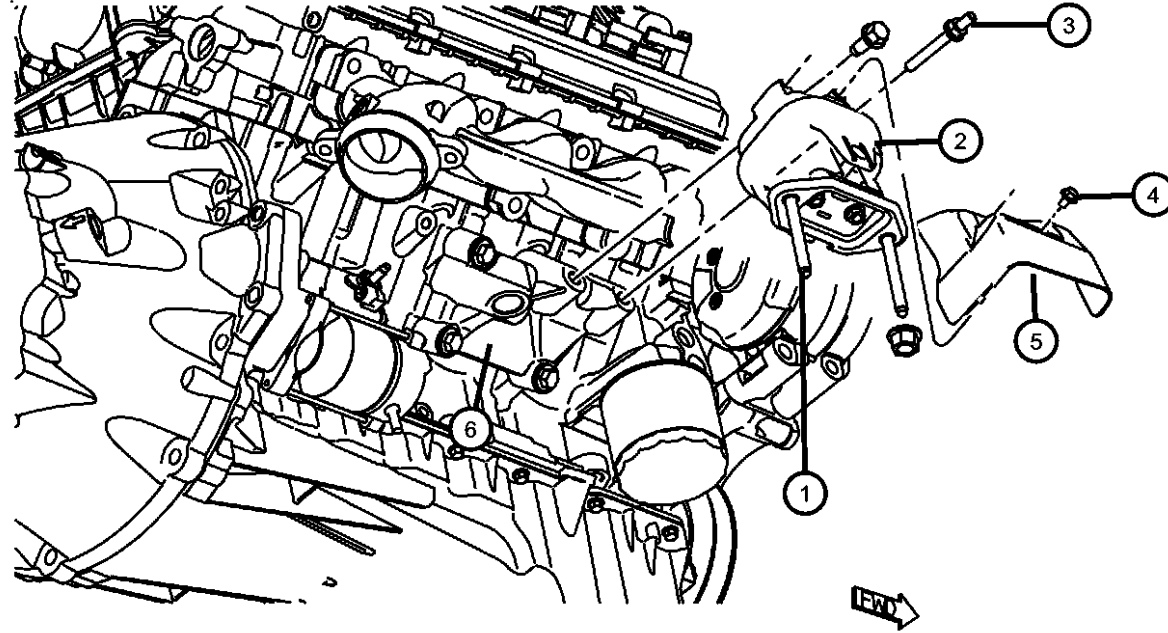
ENGINE
ERB = 3.XL Mid V6 Engine
EZH = 5.7L V8 HEMI MDS
VCT Engine

TRANSMISSION
DGJ = 5-Speed Auto W5A580
Transmission

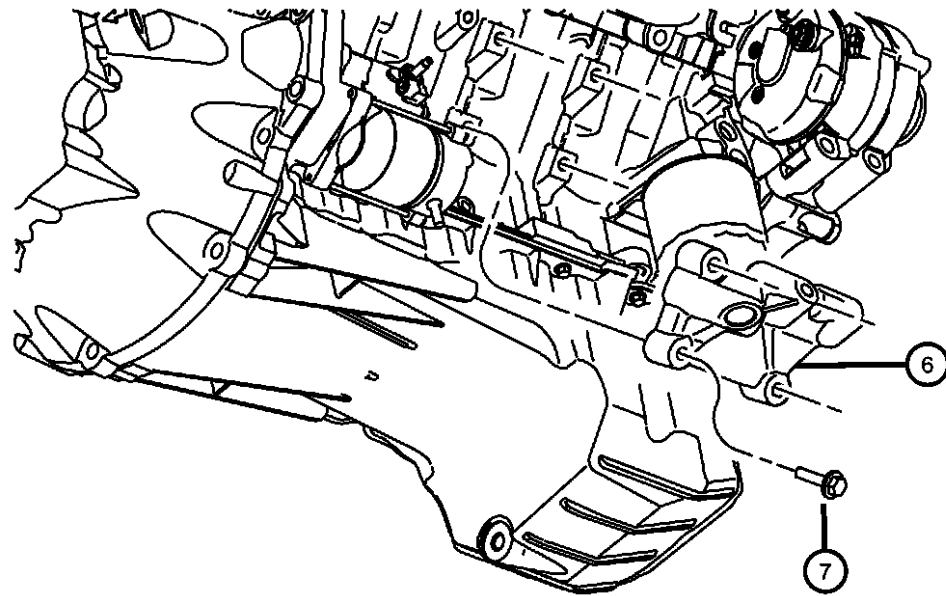
AR = use ase required - = Non illustrated part

2011 LX

**Engine Mounting Right Side RWD/2WD 5.7L [EZH]
Figure 009EZH-1220**



ITEM	PART NUMBER	QTY	LINE	SERIES	BODY	ENGINE	TRANS	TRIM	DESCRIPTION
1	06102019	8	C, F, Z			ERB, EZH			BOLT AND WASHER, Hex Head, M10x1.50x45.00, Engine Mount Bracket to Engine Block, Mounting
2	04726030AD	1	C, Z			ERB, EZH			CUSHION, Engine SupportRight Side
3	06505653AA	2	C, F, Z						STUD, Double Ended, M10X1.50XM8X1.25X93.63, Engine Mount to Engine Mount Bracket, Mounting
4	06101831	2	C, F, Z						NUT, Hex Flange, M8x1.25, Heat Shield to Engine Mount, Mounting
5	05090026AA	1	C, F, Z						HEAT SHIELD, Engine Mount
6	04726016AB	1	C, Z			EZH			BRACKET, Engine MountRight Side
7	06504010	2	C, F, Z						BOLT, Hex Flange Head, M10x1.50x35.00, Engine Mount to Cradle, Mounting



MAGNUM/300/CHARGER (LX)

SERIES LINE
H = HIGHLINE C = CHRYSLER
P = PREMIUM F = EAGLE
S = SPORT

BODY
48 = SEDAN TYPE #8

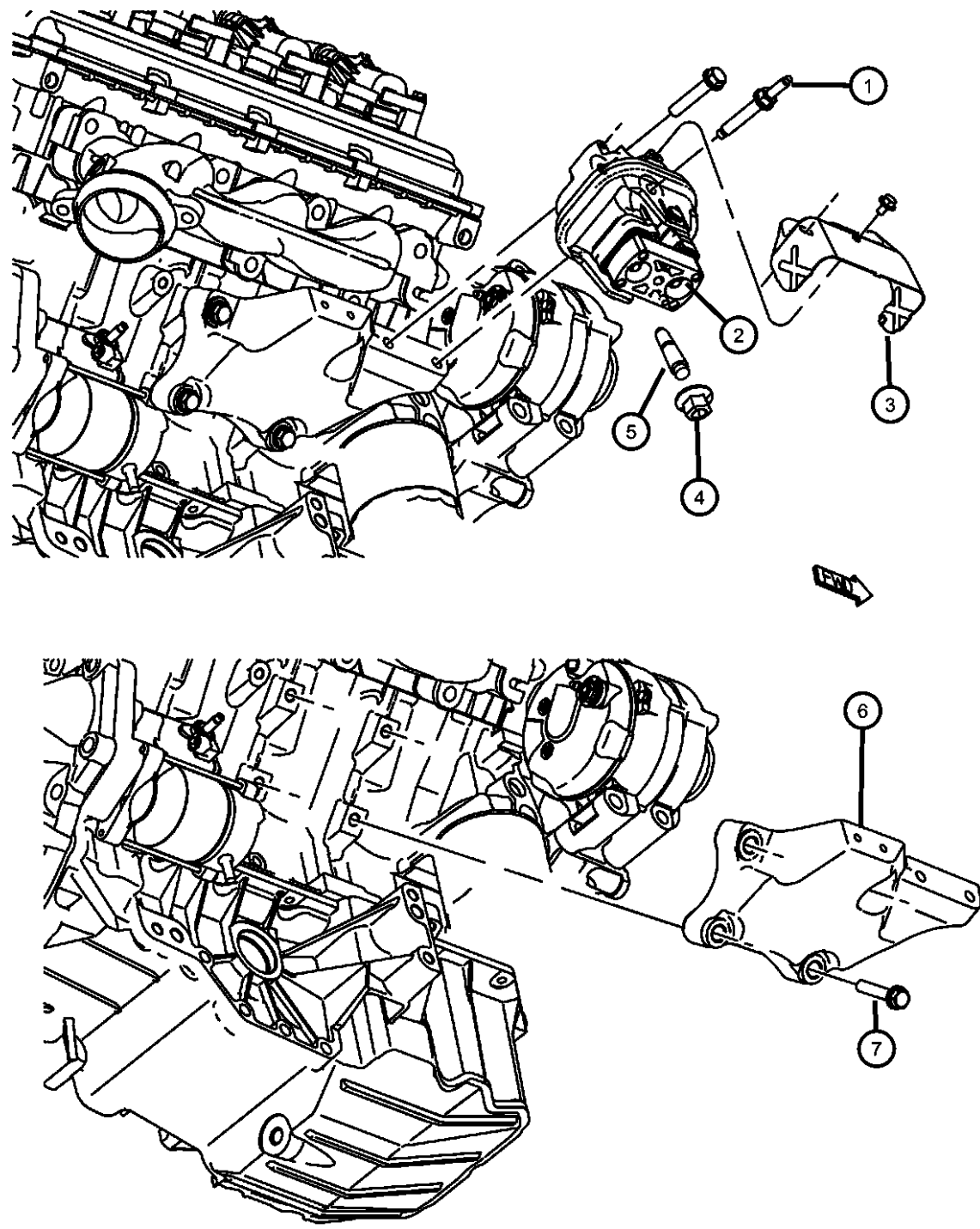
ENGINE
ERB = 3.XL Mid V6 Engine
EZH = 5.7L V8 HEMI MDS
VCT Engine

TRANSMISSION
DGJ = 5-Speed Auto W5A580
Transmission

AR = use ase required - = Non illustrated part

2011 LX

**Engine Mounting Right Side AWD 5.7L [EZH]
Figure 009EZH-1225**



ITEM	PART NUMBER	QTY	LINE	SERIES	BODY	ENGINE	TRANS	TRIM	DESCRIPTION
1	06505653AA	2	C, F, Z						STUD, Double Ended, M10X1.50XM8X1.25X93.63, Engine Mount to Engine Mount Bracket, Mounting
2	05090140AD	1	F			EZH			CUSHION, Engine SupportRight Side
3	05090026AA	1	C, F, Z						HEAT SHIELD, Engine Mount
4	06101831	2	C, F, Z						NUT, Hex Flange, M8x1.25, Heat Shield to Engine Mount, Mounting
5	06102019	8	C, F, Z			ERB, EZH			BOLT AND WASHER, Hex Head, M10x1.50x45.00, Engine Mount Bracket to Engine Block, Mounting
6	04726026AB	1	F			EZH			BRACKET, Engine MountRight Side
7	06504010	2	C, F, Z						BOLT, Hex Flange Head, M10x1.50x35.00, Engine Mount to Cradle, Mounting

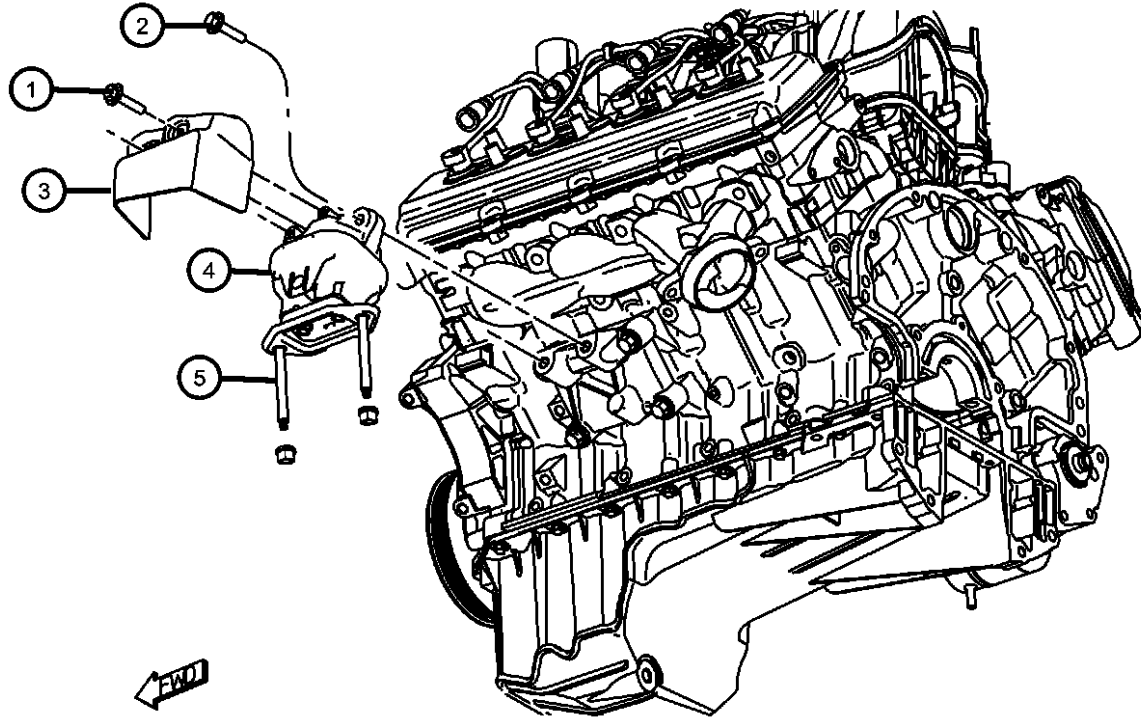
MAGNUM/300/CHARGER (LX)

SERIES	LINE	BODY	ENGINE	TRANSMISSION
H = HIGHLINE	C = CHRYSLER	48 = SEDAN TYPE #8	ERB = 3.XL Mid V6 Engine	DGJ = 5-Speed Auto W5A580
P = PREMIUM	F = EAGLE		EZH = 5.7L V8 HEMI MDS	Transmission
S = SPORT			VCT Engine	

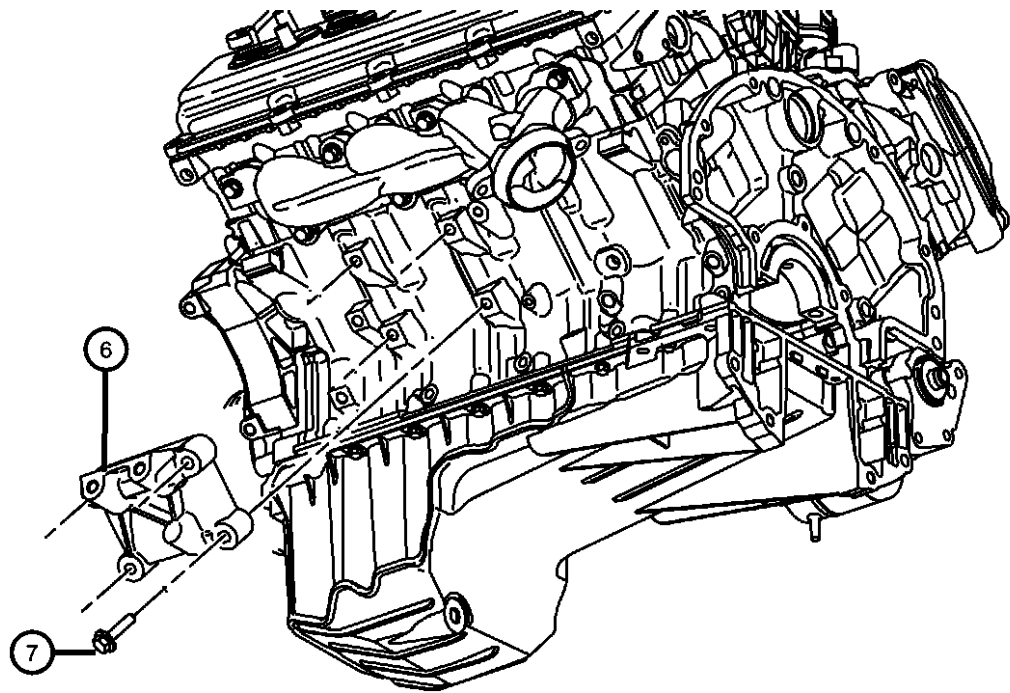
AR = use ase required - = Non illustrated part

2011 LX

**Engine Mounting Left Side RWD/2WD 5.7L [EZH]
Figure 009EZH-1235**



ITEM	PART NUMBER	QTY	LINE	SERIES	BODY	ENGINE	TRANS	TRIM	DESCRIPTION
1	06101831	2	C, F, Z						NUT, Hex Flange, M8x1.25, Heat Shield to Engine Mount, Mounting
2	06505653AA	2	C, F, Z						STUD, Double Ended, M10X1.50XM8X1.25X93.63, Engine Mount to Engine Mount Bracket, Mounting
3	05090026AA	1	C, F, Z						HEAT SHIELD, Engine Mount
4	04726030AD	1	C, F, Z			ERB, EZH			CUSHION, Engine SupportLeft Side
5	06504010	2	C, F, Z						BOLT, Hex Flange Head, M10x1.50x35.00, Engine Mount to Cradle, Mounting
6	04726017AB	1	C, Z			EZH			BRACKET, Engine MountLeft Side
7	06102019	8	C, F, Z			ERB, EZH			BOLT AND WASHER, Hex Head, M10x1.50x45.00, Engine Mount Bracket to Engine Block, Mounting



MAGNUM/300/CHARGER (LX)

SERIES LINE
H = HIGHLINE C = CHRYSLER
P = PREMIUM F = EAGLE
S = SPORT

BODY
48 = SEDAN TYPE #8

ENGINE
ERB = 3.XL Mid V6 Engine
EZH = 5.7L V8 HEMI MDS
VCT Engine

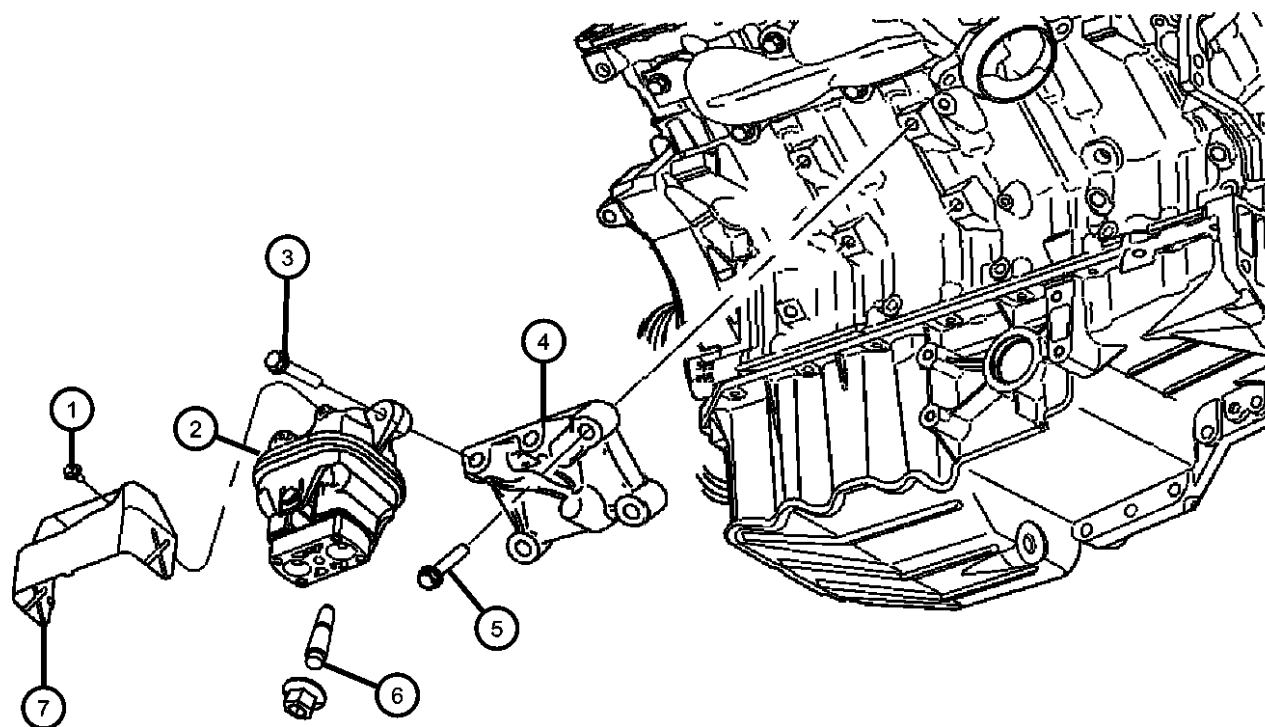
TRANSMISSION
DGJ = 5-Speed Auto W5A580
Transmission

AR = use ase required - = Non illustrated part

2011 LX

**Engine Mounting Left Side AWD 5.7L [EZH]
Figure 009EZH-1240**

ITEM	PART NUMBER	QTY	LINE	SERIES	BODY	ENGINE	TRANS	TRIM	DESCRIPTION
1	06101831	2	C, F, Z						NUT, Hex Flange, M8x1.25, Heat Shield to Engine Mount, Mounting
2	04726030AD	1	C, F, Z			ERB, EZH			CUSHION, Engine SupportLeft Side
3	06505653AA	2	C, F, Z						STUD, Double Ended, M10X1.50XM8X1.25X93.63, Engine Mount to Engine Mount Bracket, Mounting
4	04726027AB	1	F			EZH			BRACKET, Engine MountLeft Side
5	06102019	8	C, F, Z			ERB, EZH			BOLT AND WASHER, Hex Head, M10x1.50x45.00, Engine Mount Bracket to Engine Block, Mounting
6	06504010	2	C, F, Z						BOLT, Hex Flange Head, M10x1.50x35.00, Engine Mount to Cradle, Mounting
7	05090026AA	1	C, F, Z						HEAT SHIELD, Engine Mount



MAGNUM/300/CHARGER (LX)

SERIES LINE
H = HIGHLINE C = CHRYSLER
P = PREMIUM F = EAGLE
S = SPORT

BODY
48 = SEDAN TYPE #8

ENGINE
ERB = 3.XL Mid V6 Engine
EZH = 5.7L V8 HEMI MDS VCT Engine

TRANSMISSION
DGJ = 5-Speed Auto W5A580 Transmission

AR = use ase required - = Non illustrated part

2011 LX

Group - 10

Restraints

Group - 10 Restraints

Illustration Title

Group-Fig. No.

Air Bags

Air Bag Module, Impact Sensors, and Clockspring Fig. 10 - 205

Air Bags Front Fig. 10 - 210

Air Bag Side Fig. 10 - 215

Seat Belts

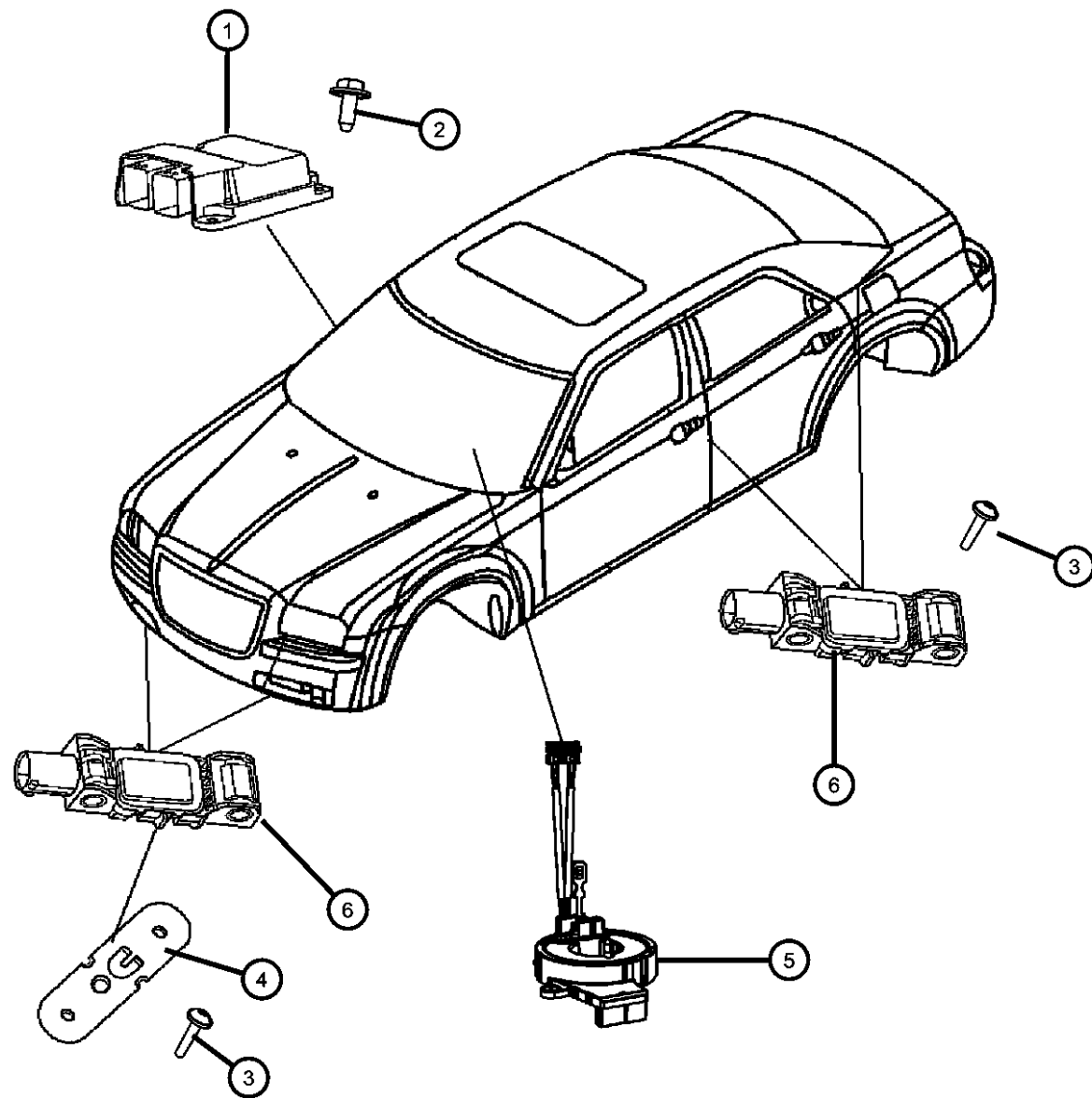
Seat Belts First Row Fig. 10 - 305

Seat Belts Second Row Fig. 10 - 315

<p>010-200 Air Bags</p>	<p>010-300 Seat Belts</p>		
------------------------------------	--------------------------------------	--	--

Air Bag Module, Impact Sensors, and Clockspring
Figure 10-205

ITEM	PART NUMBER	QTY	LINE	SERIES	BODY	ENGINE	TRANS	TRIM	DESCRIPTION
1	68105510AA	1	C, F, Z		48				MODULE, Occupant Restraint
2	06504341	3	C, F, Z		48				SCREW, Tapping, M6x1.00x15.00
3	06104124AA	2	C, F, Z		48				BOLT, Hex Flange Head, M6X1.0X30.00
4	68036991AA	2	C, F, Z		48				TAPPING PLATE
5									MODULE, Steering Column
	1JH93DX9AE	1	C, F, Z		48				[XL]
	1JH94DX9AD	1	C, F, Z		48				[L9]
	1JH94HL9AD	1	C, F, Z		48				[X9] [NHS]
	1JH95DX9AD	1	C, F, Z		48				[X9]
		1	C, F, Z		48				[L9] [NHS]
	1JH95HL9AD	1	C, F, Z		48				[XL] [NHS]
6	56054085AA	4	C, F, Z		48				SENSOR, Acceleration, Side Impact Sensor



MAGNUM/300/CHARGER (LX)

SERIES LINE
H = HIGHLINE C = CHRYSLER
P = PREMIUM F = EAGLE
S = SPORT

BODY
48 = SEDAN TYPE #8

ENGINE
ERB = 3.0L Mid V6 Engine
EZH = 5.7L V8 HEMI MDS
VCT Engine

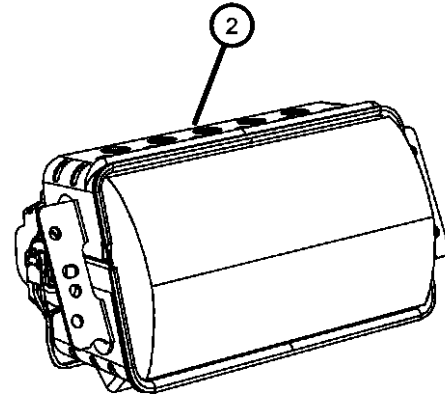
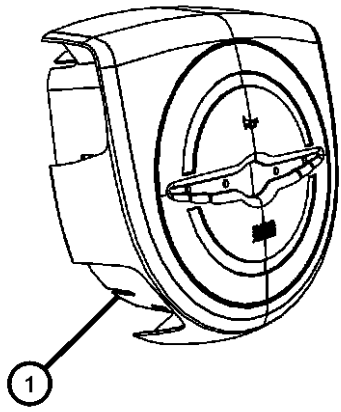
TRANSMISSION
DGJ = 5-Speed Auto W5A580
Transmission

AR = use ase required - = Non illustrated part

2011 LX

Air Bags Front
Figure 10-210

ITEM	PART NUMBER	QTY	LINE	SERIES	BODY	ENGINE	TRANS	TRIM	DESCRIPTION
1	1JA22DX9AD	1	C, F, Z		48				AIR BAG, Driver [X9]
		1	C, F, Z		48				[XL]
	1JA22HL9AD	1	C, F, Z		48				[L9]
2	68045027AB	1	C, F, Z		48				AIR BAG, Passenger



MAGNUM/300/CHARGER (LX)

SERIES LINE
H = HIGHLINE C = CHRYSLER
P = PREMIUM F = EAGLE
S = SPORT

BODY
48 = SEDAN TYPE #8

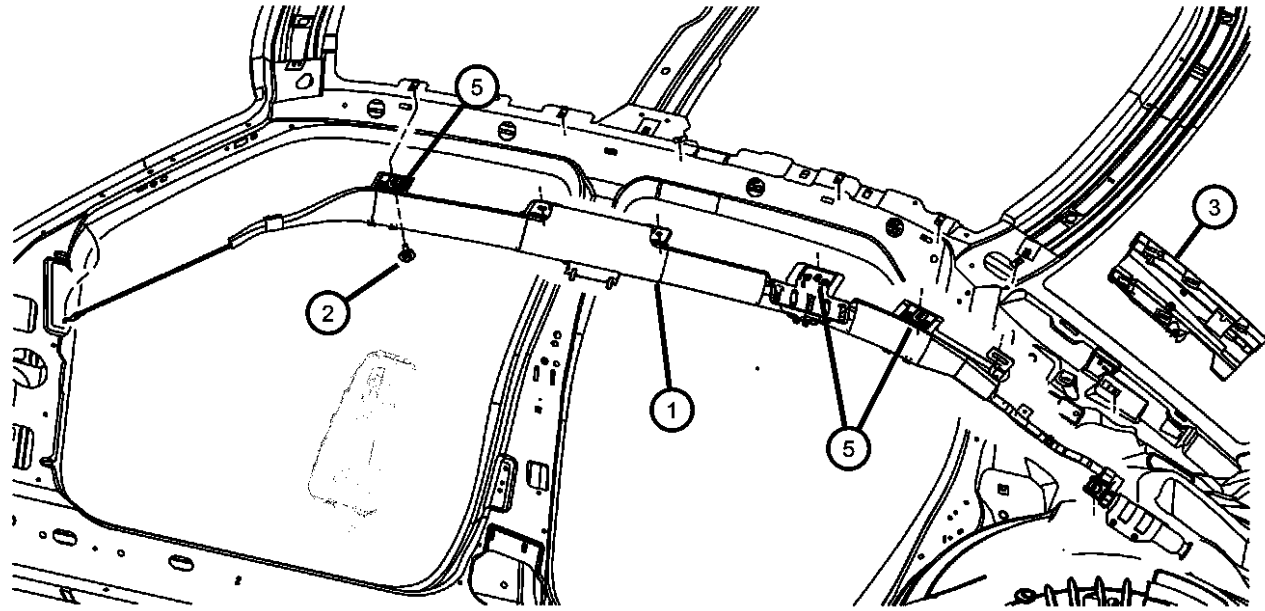
ENGINE
ERB = 3.XL Mid V6 Engine
EZH = 5.7L V8 HEMI MDS
VCT Engine

TRANSMISSION
DGJ = 5-Speed Auto W5A580
Transmission

AR = use ase required - = Non illustrated part

**Air Bag Side
Figure 10-215**

ITEM	PART NUMBER	QTY	LINE	SERIES	BODY	ENGINE	TRANS	TRIM	DESCRIPTION
1	05108049AD	1	C, F, Z		48				AIR BAG, Side Curtain Right
	05108050AD	1	C, F, Z		48				Left
2	06508182AA	8	C, F, Z		48				SCREW AND WASHER, Hex Head, M6X1.00X25.50
		2	C, F, Z		48				
3	68038976AA	1	C, F, Z		48				SUPPORT, Side Air Bag Right
	68038977AA	1	C, F, Z		48				Left
-4	06030441	2	C, F, Z		48				PIN, Retainer
5	06507559AA	1	C, F, Z		48				U-NUT, M6 x 1.00, M6x1.00



MAGNUM/300/CHARGER (LX)

SERIES LINE
H = HIGHLINE C = CHRYSLER
P = PREMIUM F = EAGLE
S = SPORT

BODY
48 = SEDAN TYPE #8

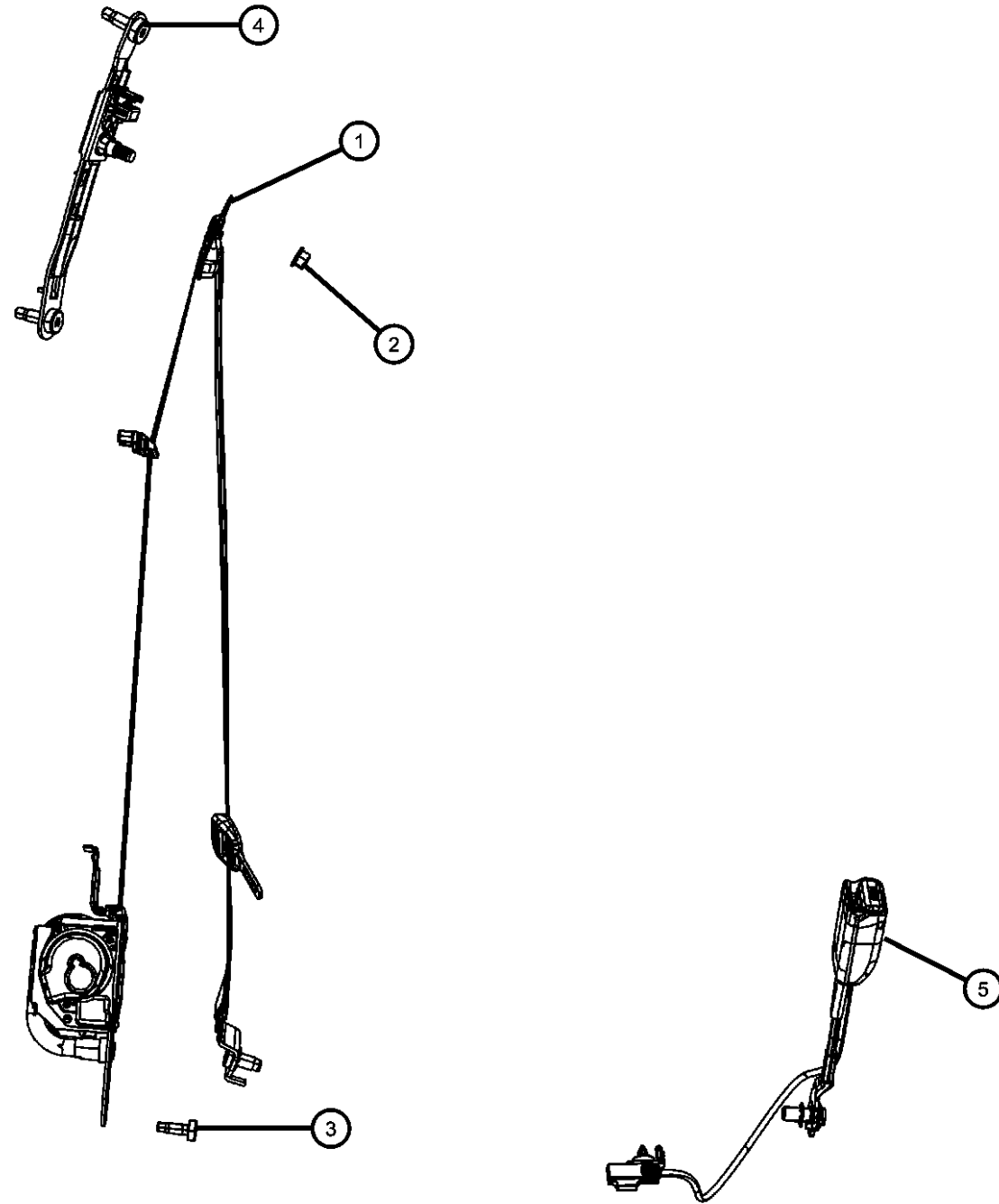
ENGINE
ERB = 3.XL Mid V6 Engine
EZH = 5.7L V8 HEMI MDS
VCT Engine

TRANSMISSION
DGJ = 5-Speed Auto W5A580
Transmission

AR = use ase required - = Non illustrated part

2011 LX

Seat Belts First Row
Figure 10-305



ITEM	PART NUMBER	QTY	LINE	SERIES	BODY	ENGINE	TRANS	TRIM	DESCRIPTION
1									SEAT BELT, Front Outer
	1HZ05DX9AB	1	C, F, Z		48				[X9], Left
	1HZ05HL1AB	1	C, F, Z		48				[L9], Left
		1	C, F, Z		48				[XL], Left
	1HZ06DX9AB	1	C, F, Z		48				[X9], Right
	1HZ06HL1AB	1	C, F, Z		48				[L9], Right
		1	C, F, Z		48				[XL], Right
	1HZ07DX9AB	1	C, F, Z		48				[X9], Export, Left
	1HZ07HL1AB	1	C, F, Z		48				[L9], Export, Left
	1HZ08DX9AB	1	C, F, Z		48				[X9], Export, Right
	1HZ08HL1AB	1	C, F, Z		48				[L9], Export, Right
2	06509460AA	2	C, F, Z		48				NUT, Hex
3	06105124AA	2	C, F, Z		48				SCREW, Pan Head, .437-20X35.00
4	68080745AA	2	C, F, Z		48				ADJUSTER, Seat Belt Turning Loop
5									SEAT BELT, Front Inner
	1HZ101X9AC	1	C, F		48				[X9], Right
	1HZ101L1AC	1	C, F		48				[XL], Right
		1	C, F		48				[L9], Right
	1HZ171L1AC	1	C, F		48				[L9], Left
	1HZ171X9AC	1	C, F		48				[X9], Left
		1	C, F		48				[XL], Left

MAGNUM/300/CHARGER (LX)

SERIES LINE
H = HIGHLINE C = CHRYSLER
P = PREMIUM F = EAGLE
S = SPORT

BODY
48 = SEDAN TYPE #8

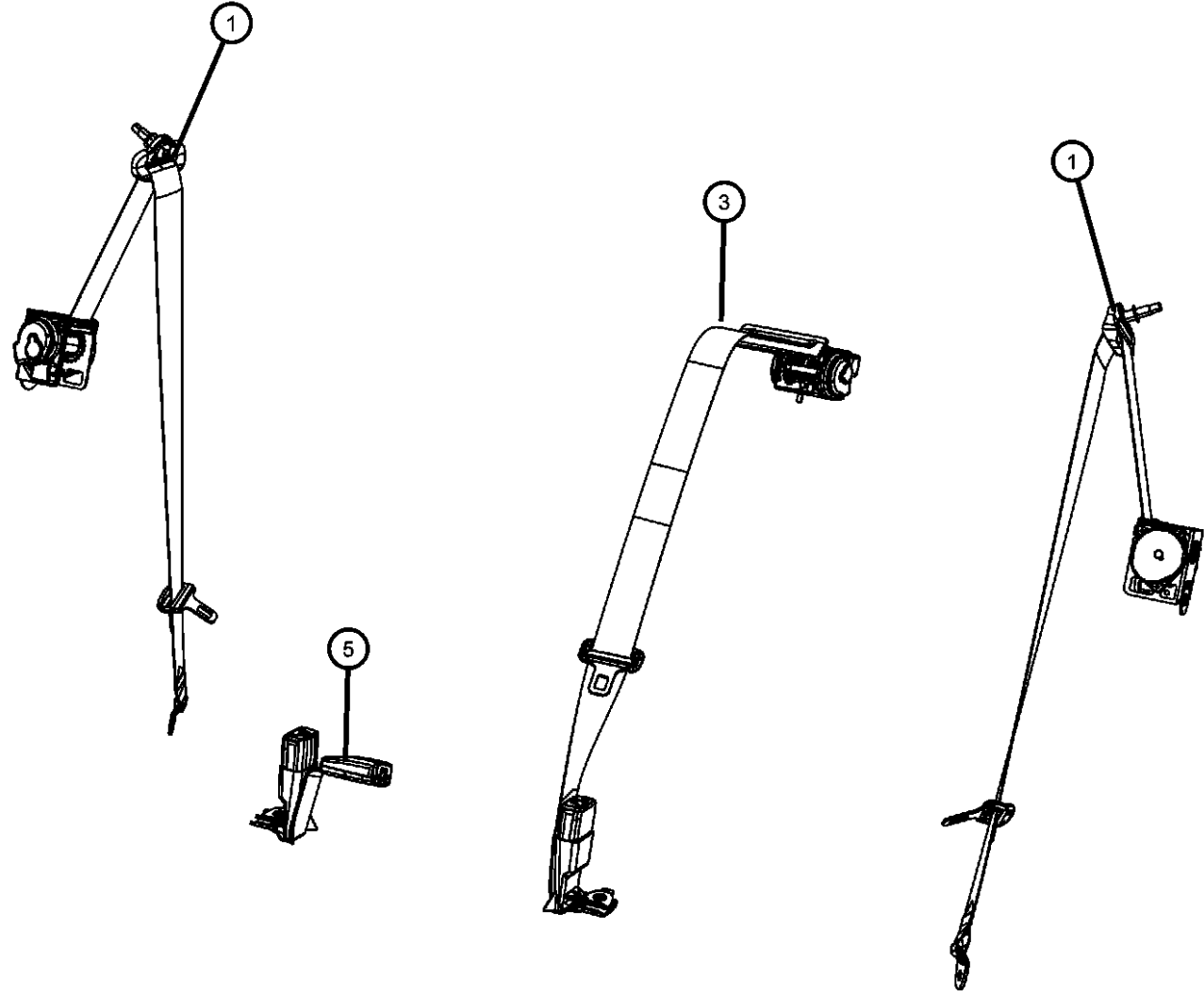
ENGINE
ERB = 3.XL Mid V6 Engine
EZH = 5.7L V8 HEMI MDS
VCT Engine

TRANSMISSION
DGJ = 5-Speed Auto W5A580
Transmission

AR = use ase required - = Non illustrated part

2011 LX

Seat Belts Second Row
Figure 10-315



ITEM	PART NUMBER	QTY	LINE	SERIES	BODY	ENGINE	TRANS	TRIM	DESCRIPTION
1	1HU13DX9AC	1	C, F, Z		48				SEAT BELT, Retractor [X9]
	1HU13HL1AC	1	C, F, Z		48				[XL]
		1	C, F, Z		48				[L9]
-2	06105124AA	2	C, F, Z		48				SCREW, Pan Head, .437-20X35.00
3	1VJ471L1AA	1	C, F, Z		48				SEAT BELT, 2nd Rear Center [L9]
		1	C, F, Z		48				[XL]
	1VJ471X9AA	1	C, F, Z		48				[X9]
-4	06502724	4	C, F, Z		48				NUT, Hex Flange, M12x1.75
5	1HZ141L1AD	1	C, F, Z		48				BUCKLE ASSY, BUCKLE ASSY-S/BELT [L9]
	1HZ141L1AC	1	C, F, Z		48				[XL]
	1HZ141X9AC	1	C, F, Z		48				[X9]
-6	06502724	2	C, F		48				NUT, Hex Flange, M12x1.75

MAGNUM/300/CHARGER (LX)

SERIES LINE
H = HIGHLINE C = CHRYSLER
P = PREMIUM F = EAGLE
S = SPORT

BODY
48 = SEDAN TYPE #8

ENGINE
ERB = 3.XL Mid V6 Engine
EZH = 5.7L V8 HEMI MDS
VCT Engine

TRANSMISSION
DGJ = 5-Speed Auto W5A580
Transmission

AR = use ase required - = Non illustrated part

Group - 11

Exhaust

Group - 11 Exhaust

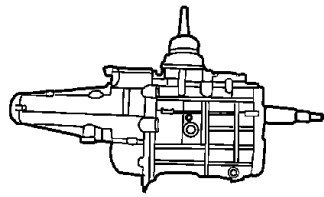
Illustration Title

Group-Fig. No.

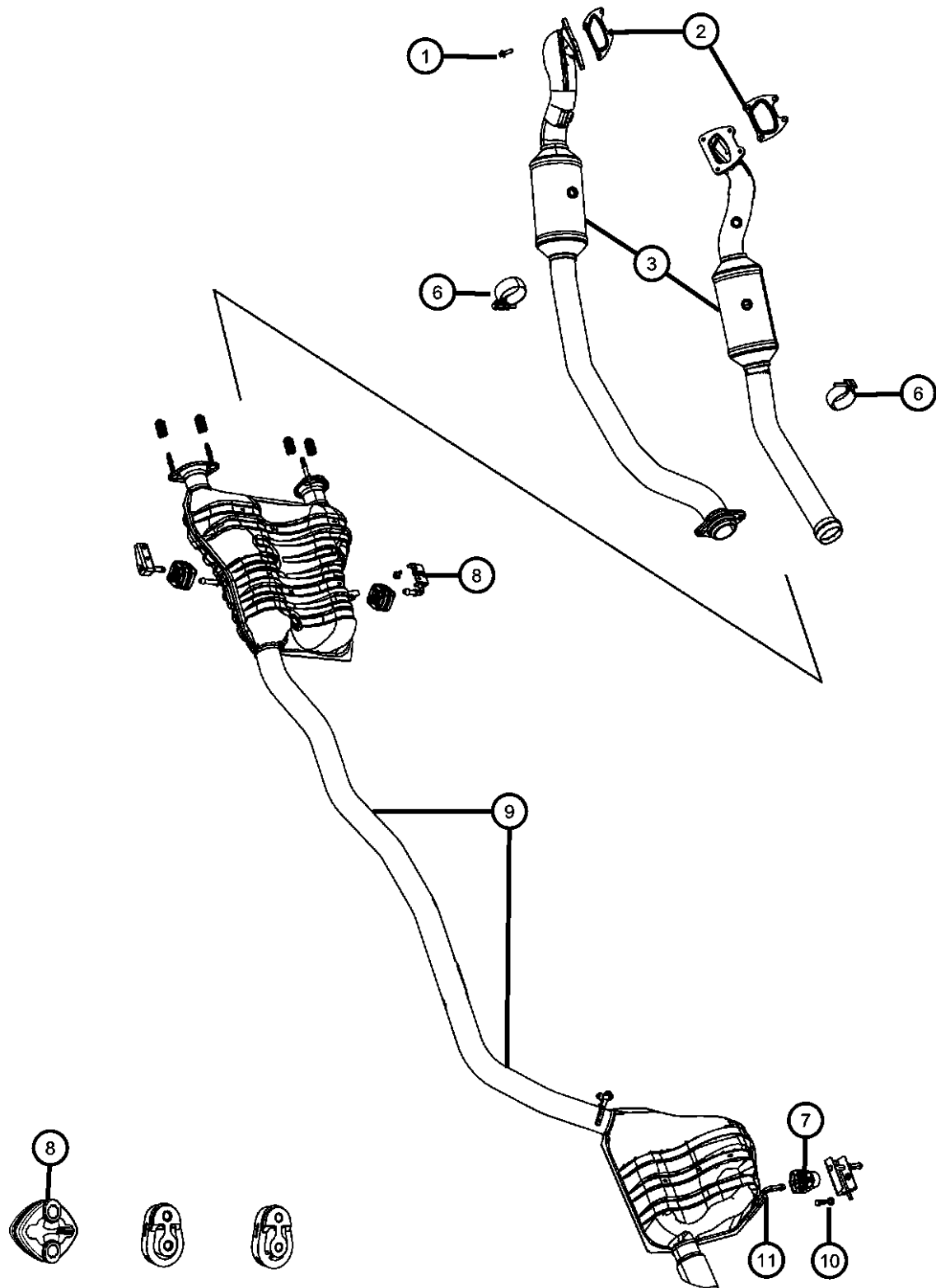
Exhaust System

Exhaust System 3.6L [ERB].....	Fig. 11 - 105
Exhaust System 5.7L [EZH].....	Fig. 11 - 125
Exhaust System Heat Shields.....	Fig. 11 - 150

011-100
Exhaust System



**Exhaust System 3.6L [ERB]
Figure 11-105**



ITEM	PART NUMBER	QTY	LINE	SERIES	BODY	ENGINE	TRANS	TRIM	DESCRIPTION
1		2							SCREW, Hex Flange Head, M8x1.25x28.00, (NOT SERVICED)
2	05184214AE	2	C, F, Z		48	ERB			GASKET, Exhaust Manifold
3									PIPE AND CONVERTER, Front
	68038390AA	1	C, Z		48	ERB			[NAA], Right Side
	68038391AB	1	C, Z		48	ERB			[NAA], Left Side
	68038393AD	1	C, Z		48	ERB			[NAE], Left Side
	68038392AC	1	C, Z		48	ERB			[NAE], Right Side
-4	04578287AB	1	C, F, Z		48	ERB			HANGER, Exhaust
-5	06500399	2	C, F		48	ERB			BOLT, Hex Flange Head, M10X1.50X20.00, Brace to Down Pipes Bracket, Mounting
6									CLAMP, Exhaust
	04695220AB	2	C, F, Z		48	ERB			Right Side
		1	C, F, Z		48	ERB			Left Side
7									ISOLATOR, Exhaust Support
	04578340AA	1	C, F, Z		48	ERB			Exhaust Resonator Rear Isolator, Right Side
		1	C, F, Z		48	ERB			Exhaust Resonator Rear Isolator, Left Side
8									ISOLATOR, Exhaust Support
	04581790AB	1	C, F, Z		48	ERB			Exhaust Resonator Front Isolator, Left Side
		2	C, F, Z		48	ERB			Exhaust Resonator Front Isolator, Right Side
9	04880202AD	2	C, F, Z		48	ERB			MUFFLER AND TAILPIPE, Exhaust
10									BOLT AND CONED WASHER, Hex Head, M8X1.25X40.00
	06503839	2	C, F, Z		48	ERB, EZH			Exhaust Bracket Left Rear to Underbody
		2	C, F, Z		48	ERB, EZH			Exhaust Bracket Right Rear to Underbody
11									BRACKET, Exhaust
	04854575AA	2	C, F, Z		48	ERB			
	04581722AB	1	C, F, Z		48	ERB			Exhaust Resonator Front Bracket
	68060196AA	1	C, F, Z		48	ERB			Exhaust Resonator Rear Bracket
-12	04578954AE	1	C, F, Z		48	ERB			MUFFLER AND RESONATOR, Exhaust

MAGNUM/300/CHARGER (LX)

SERIES LINE
H = HIGHLINE C = CHRYSLER
P = PREMIUM F = EAGLE
S = SPORT

BODY
48 = SEDAN TYPE #8

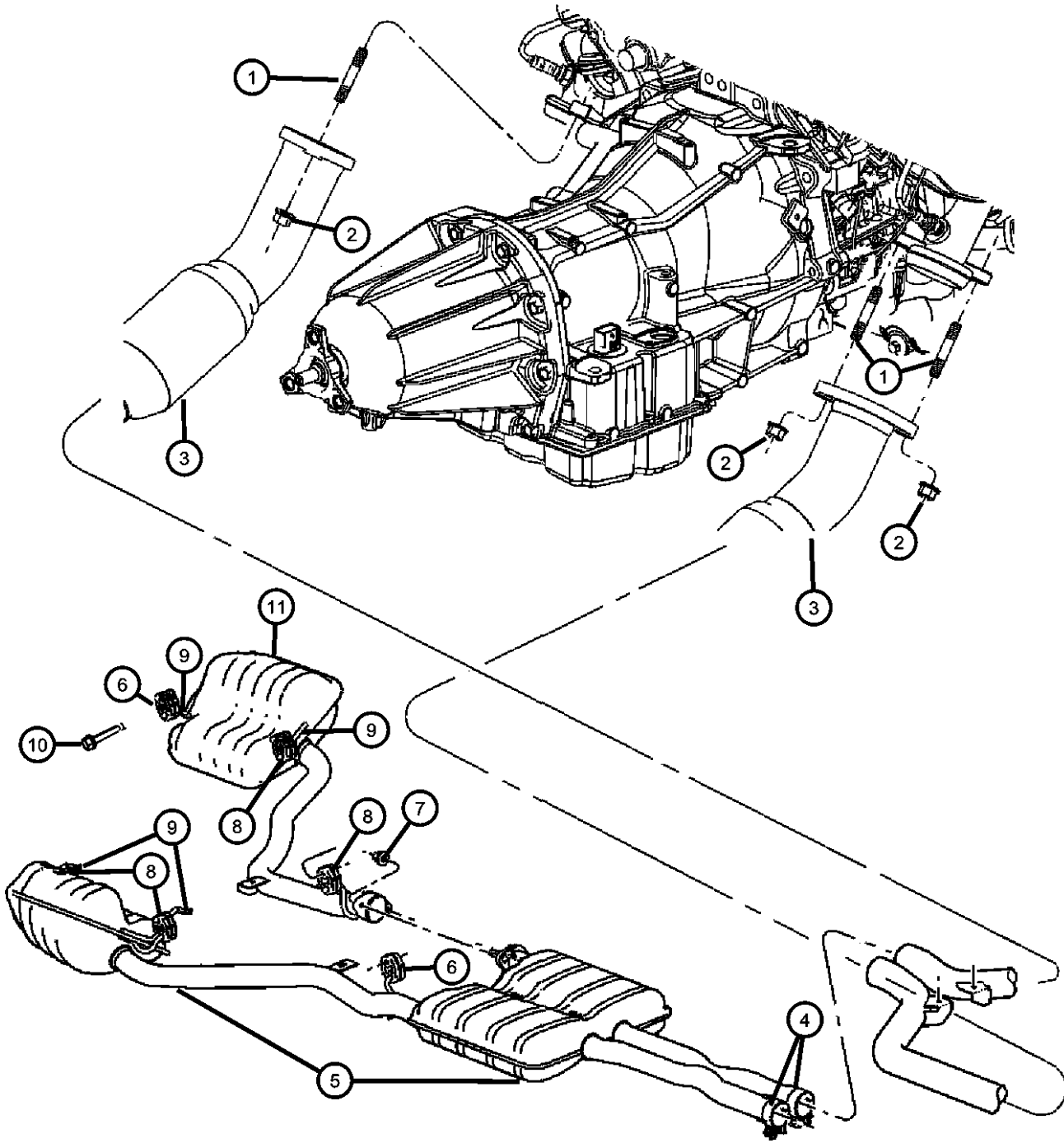
ENGINE
ERB = 3.XL Mid V6 Engine
EZH = 5.7L V8 HEMI MDS VCT Engine

TRANSMISSION
DGJ = 5-Speed Auto W5A580 Transmission

AR = use ase required - = Non illustrated part

2011 LX

**Exhaust System 5.7L [EZH]
Figure 11-125**



ITEM	PART NUMBER	QTY	LINE	SERIES	BODY	ENGINE	TRANS	TRIM	DESCRIPTION
1	06507880AA	4	C, F, Z		48	EZH			STUD, Double Ended, M10x1.50x77.74, Exhaust Manifold To Front Exhaust Pipe, Mounting
2	06104710AA	4	C, F, Z		48	EZH			NUT, Hex Flange Lock, M10x1.50, Exhaust Manifold To Front Exhaust Pipe, Mounting
3									PIPE AND CONVERTER, Front
	68057162AE	1	C		48	EZH			RWD, Right Side
	68057163AE	1	C		48	EZH			RWD, Left Side
	68057164AE	1	F		48	EZH			AWD, Right Side
	68057165AE	1	F		48	EZH			AWD, Left Side
4	04848935AA	2	C, F, Z		48	EZH			CLAMP, Exhaust
5	68057454AC	1	C, F, Z		48	EZH			MUFFLER AND RESONATOR, Exhaust
6	04578340AA	1	C, F, Z		48	EZH			ISOLATOR, Exhaust Support, Exhaust Resonator Rear Isolator
7	04578604AA	2	C, F, Z		48	EZH			NUT, Spring
8	04581790AB	2	C, F, Z		48	EZH			ISOLATOR, Exhaust Support, Exhaust Resonator Front Isolator
9									BRACKET, Exhaust
	04581722AB	1	C, F, Z		48	EZH			Exhaust Resonator Front Bracket
	68060196AA	1	C, F, Z		48	EZH			Exhaust Resonator Rear Bracket
	04854575AA	2	C, F, Z		48	EZH			
10									BOLT AND CONED WASHER, Hex Head, M8X1.25X40.00
	06503839	2	C, F, Z		48	ERB, EZH			Exhaust Bracket Rear to Underbody, Right Side
		2	C, F, Z		48	ERB, EZH			Exhaust Bracket Rear to Underbody, Left Side
11	68057455AC	1	C, F, Z		48	EZH			RESONATOR AND PIPE, Exhaust

MAGNUM/300/CHARGER (LX)
 SERIES LINE
 H = HIGHLINE C = CHRYSLER
 P = PREMIUM F = EAGLE
 S = SPORT

BODY
 48 = SEDAN TYPE #8

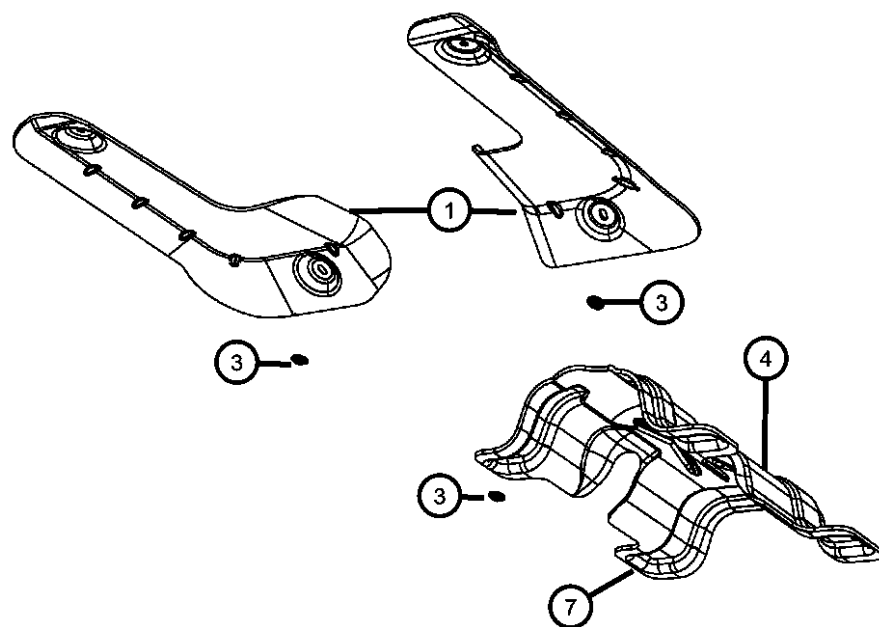
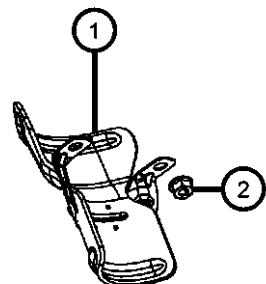
ENGINE
 ERB = 3.XL Mid V6 Engine
 EZH = 5.7L V8 HEMI MDS VCT Engine

TRANSMISSION
 DGJ = 5-Speed Auto W5A580 Transmission

AR = use ase required - = Non illustrated part

Exhaust System Heat Shields
Figure 11-150

ITEM	PART NUMBER	QTY	LINE	SERIES	BODY	ENGINE	TRANS	TRIM	DESCRIPTION
1									SHIELD, Exhaust, Front Pipe or Converter
	04780855AC	1	C		48				Left Side
	04578335AB	1	F		48	EZH			Left Side
	04578334AB	1	C, F, Z		48	EZH			
	04780854AC	1	C		48				Right Side
2									NUT, Hex Flange Lock, M10x1.50
	06104710AA	2	F		48	EZH			
		2	C, F, Z		48	ERB, EZH			
3									NUT, Stamped Hex Flange, M5x1.60
	06505199AA	2	F		48				
		2	C, Z		48				
4		2							SHIELD, Exhaust, Tailpipe, (NOT SERVICED)
-5	04780892AD	1	C, F		48				HEAT SHIELD, Drive Shaft
-6	04780895AB	1	C, F		48				HEAT SHIELD, Spare Tire
7	05065767AB	1	F		48				SHIELD, Heat, Floor Tunnel



MAGNUM/300/CHARGER (LX)

SERIES LINE
H = HIGHLINE C = CHRYSLER
P = PREMIUM F = EAGLE
S = SPORT

BODY
48 = SEDAN TYPE #8

ENGINE
ERB = 3.XL Mid V6 Engine
EZH = 5.7L V8 HEMI MDS
VCT Engine

TRANSMISSION
DGJ = 5-Speed Auto W5A580
Transmission

AR = use ase required - = Non illustrated part

2011 LX

Group - 13

Frame, Bumper and Fascia

Group - 13 Frame, Bumper and Fascia

Illustration Title

Group-Fig. No.

Frames

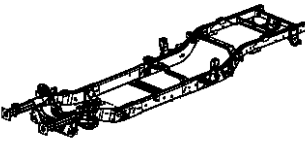
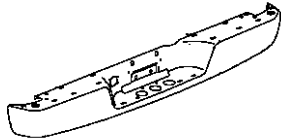
Frame, Complete.....Fig. 13 - 105

Front Bumper and Fascia

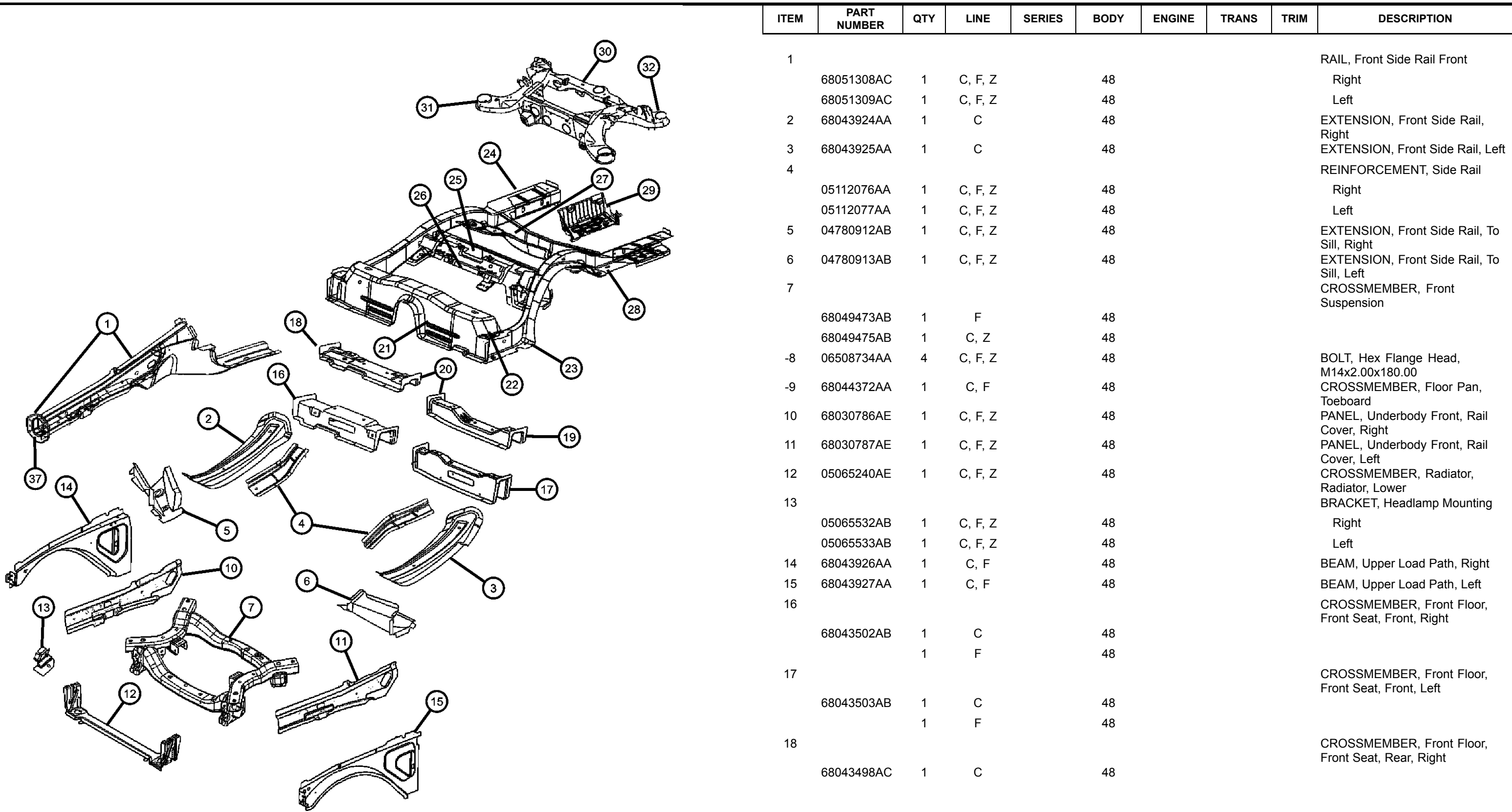
Fascia, Front.....Fig. 13 - 205

Rear Bumper and Fascia

Fascia, Rear.....Fig. 13 - 305

<p>013-100 Frames</p> 	<p>013-200 Front Bumper and Fascia</p>	<p>013-300 Rear Bumper and Fascia</p> 	
---	---	---	--

Frame, Complete
Figure 13-105

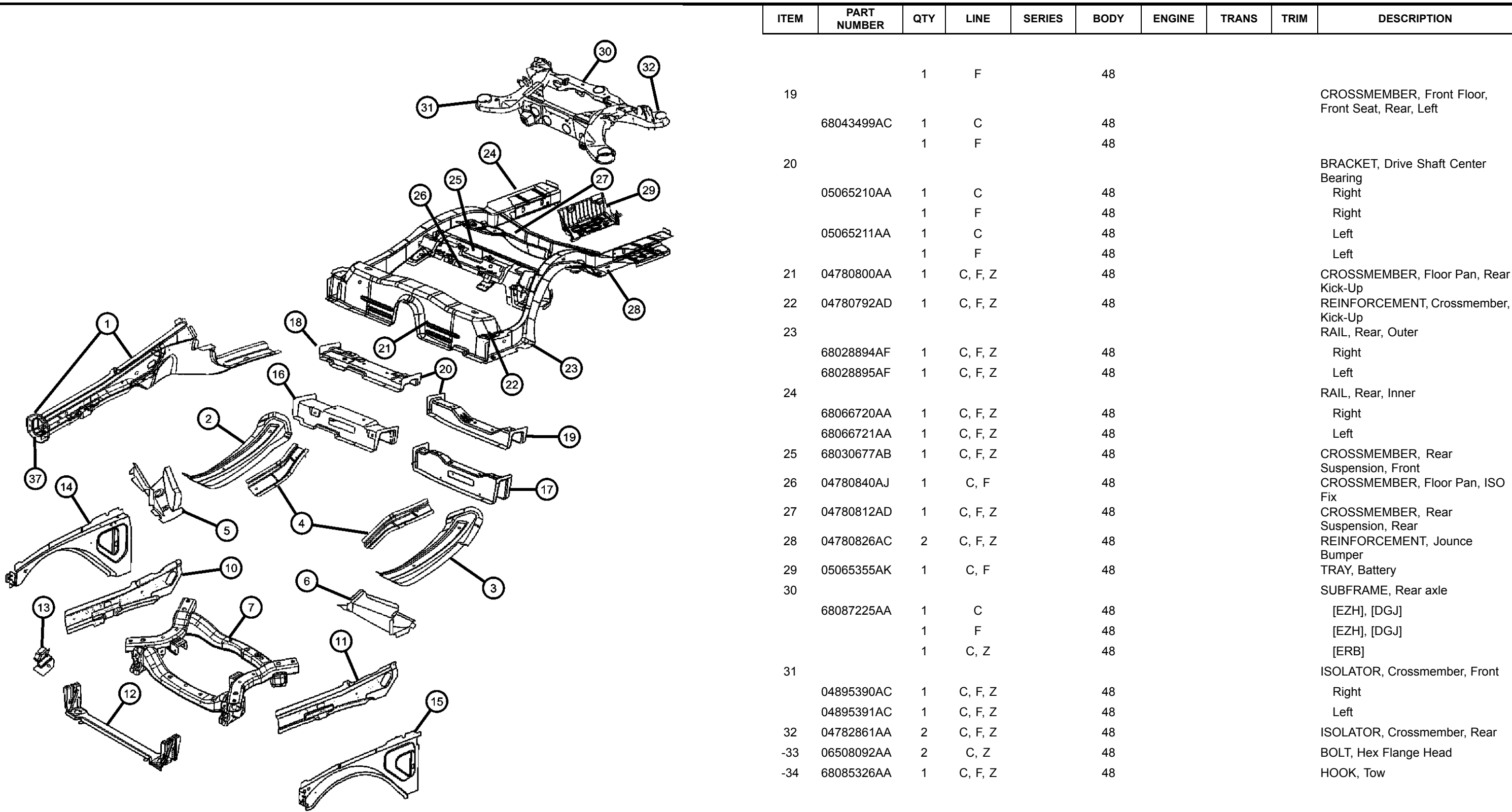


ITEM	PART NUMBER	QTY	LINE	SERIES	BODY	ENGINE	TRANS	TRIM	DESCRIPTION
1									RAIL, Front Side Rail Front
	68051308AC	1	C, F, Z		48				Right
	68051309AC	1	C, F, Z		48				Left
2	68043924AA	1	C		48				EXTENSION, Front Side Rail, Right
3	68043925AA	1	C		48				EXTENSION, Front Side Rail, Left
4									REINFORCEMENT, Side Rail
	05112076AA	1	C, F, Z		48				Right
	05112077AA	1	C, F, Z		48				Left
5	04780912AB	1	C, F, Z		48				EXTENSION, Front Side Rail, To Sill, Right
6	04780913AB	1	C, F, Z		48				EXTENSION, Front Side Rail, To Sill, Left
7									CROSSMEMBER, Front Suspension
	68049473AB	1	F		48				
	68049475AB	1	C, Z		48				
-8	06508734AA	4	C, F, Z		48				BOLT, Hex Flange Head, M14x2.00x180.00
-9	68044372AA	1	C, F		48				CROSSMEMBER, Floor Pan, Toeboard
10	68030786AE	1	C, F, Z		48				PANEL, Underbody Front, Rail Cover, Right
11	68030787AE	1	C, F, Z		48				PANEL, Underbody Front, Rail Cover, Left
12	05065240AE	1	C, F, Z		48				CROSSMEMBER, Radiator, Radiator, Lower
13									BRACKET, Headlamp Mounting
	05065532AB	1	C, F, Z		48				Right
	05065533AB	1	C, F, Z		48				Left
14	68043926AA	1	C, F		48				BEAM, Upper Load Path, Right
15	68043927AA	1	C, F		48				BEAM, Upper Load Path, Left
16									CROSSMEMBER, Front Floor, Front Seat, Front, Right
	68043502AB	1	C		48				
		1	F		48				
17									CROSSMEMBER, Front Floor, Front Seat, Front, Left
	68043503AB	1	C		48				
		1	F		48				
18									CROSSMEMBER, Front Floor, Front Seat, Rear, Right
	68043498AC	1	C		48				

MAGNUM/300/CHARGER (LX)
 SERIES LINE BODY ENGINE TRANSMISSION
 H = HIGHLINE C = CHRYSLER 48 = SEDAN TYPE #8 ERB = 3.XL Mid V6 Engine DGJ = 5-Speed Auto W5A580
 P = PREMIUM F = EAGLE EZH = 5.7L V8 HEMI MDS Transmission
 S = SPORT VCT Engine

AR = use ase required - = Non illustrated part

Frame, Complete
Figure 13-105



ITEM	PART NUMBER	QTY	LINE	SERIES	BODY	ENGINE	TRANS	TRIM	DESCRIPTION
19		1	F		48				CROSSMEMBER, Front Floor, Front Seat, Rear, Left
	68043499AC	1	C		48				
		1	F		48				
20									BRACKET, Drive Shaft Center Bearing Right
	05065210AA	1	C		48				Right
		1	F		48				Right
	05065211AA	1	C		48				Left
		1	F		48				Left
21	04780800AA	1	C, F, Z		48				CROSSMEMBER, Floor Pan, Rear Kick-Up
22	04780792AD	1	C, F, Z		48				REINFORCEMENT, Crossmember, Kick-Up
23									RAIL, Rear, Outer
	68028894AF	1	C, F, Z		48				Right
	68028895AF	1	C, F, Z		48				Left
24									RAIL, Rear, Inner
	68066720AA	1	C, F, Z		48				Right
	68066721AA	1	C, F, Z		48				Left
25	68030677AB	1	C, F, Z		48				CROSSMEMBER, Rear Suspension, Front
26	04780840AJ	1	C, F		48				CROSSMEMBER, Floor Pan, ISO Fix
27	04780812AD	1	C, F, Z		48				CROSSMEMBER, Rear Suspension, Rear
28	04780826AC	2	C, F, Z		48				REINFORCEMENT, Jounce Bumper
29	05065355AK	1	C, F		48				TRAY, Battery
30									SUBFRAME, Rear axle
	68087225AA	1	C		48				[EZH], [DGJ]
		1	F		48				[EZH], [DGJ]
		1	C, Z		48				[ERB]
31									ISOLATOR, Crossmember, Front
	04895390AC	1	C, F, Z		48				Right
	04895391AC	1	C, F, Z		48				Left
32	04782861AA	2	C, F, Z		48				ISOLATOR, Crossmember, Rear
-33	06508092AA	2	C, Z		48				BOLT, Hex Flange Head
-34	68085326AA	1	C, F, Z		48				HOOK, Tow

MAGNUM/300/CHARGER (LX)
 SERIES LINE
 H = HIGHLINE C = CHRYSLER
 P = PREMIUM F = EAGLE
 S = SPORT

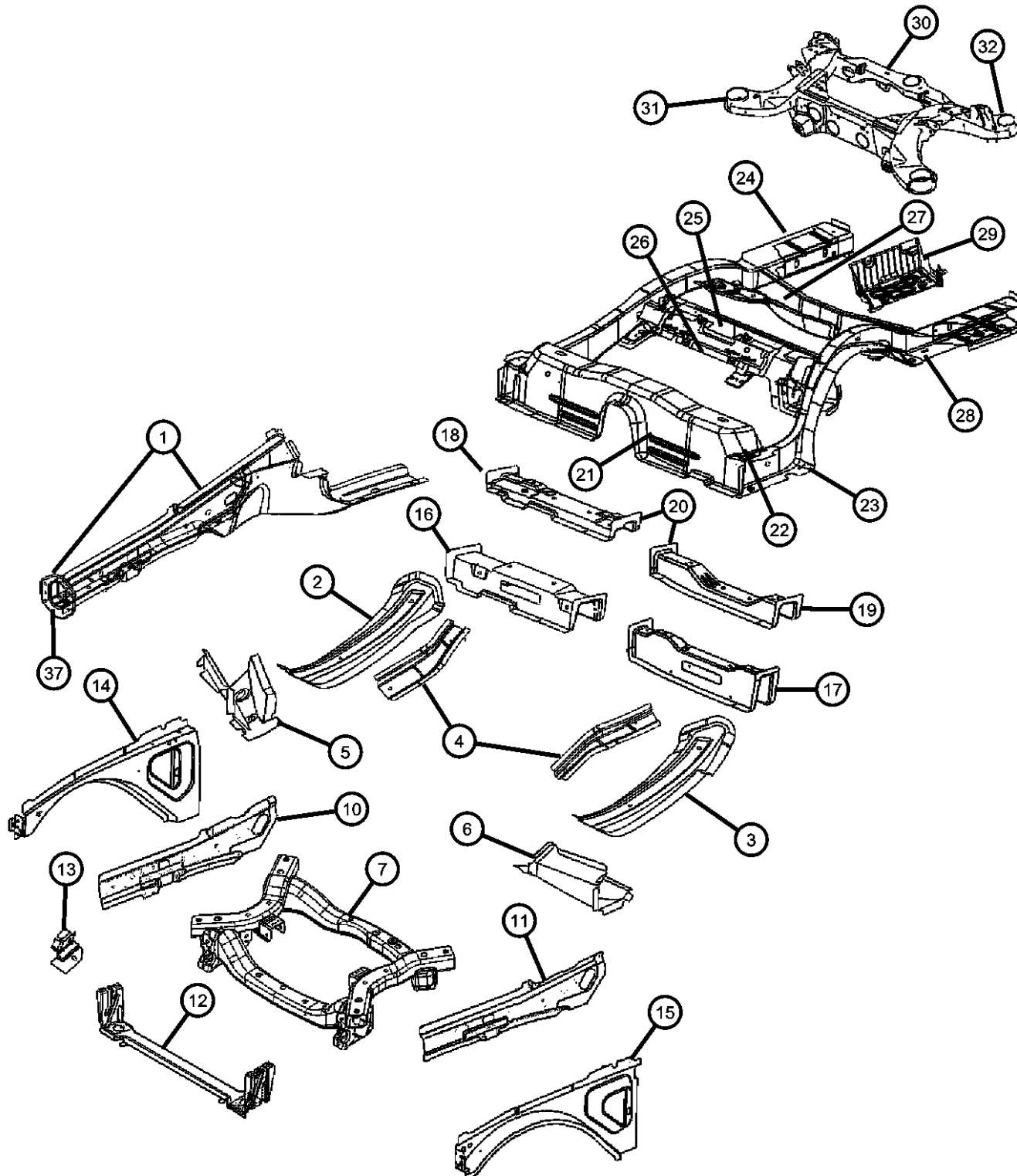
BODY
 48 = SEDAN TYPE #8

ENGINE
 ERB = 3.XL Mid V6 Engine
 EZH = 5.7L V8 HEMI MDS VCT Engine

TRANSMISSION
 DGJ = 5-Speed Auto W5A580 Transmission

AR = use ase required - = Non illustrated part

Frame, Complete
Figure 13-105



ITEM	PART NUMBER	QTY	LINE	SERIES	BODY	ENGINE	TRANS	TRIM	DESCRIPTION
-35	06505833AA	2	C, F, Z		48				BOLT, Hex Flange Head
-36	06102054AA	1	F		48				NUT, Hex Weld, M8x1.25
37									REINFORCEMENT, Front Bumper
	05065268AB	1	C, F, Z		48				Right
	05065269AB	1	C, F, Z		48				Left
-38	04895389AA	2	C, F, Z		48				BOLT
-39	06508092AA	2	C, Z		48				BOLT, Hex Flange Head
-40	06508734AA	4	C, F, Z		48				BOLT, Hex Flange Head, M14x2.00x180.00, Subframe to Body Front
-41	04578296AA	1	C, F, Z		48				CAP, Dust Shield
-42	06508734AA	4	C, F, Z		48				BOLT, Hex Flange Head, M14x2.00x180.00, FRT SUSP CROSSMEMBER MTG

MAGNUM/300/CHARGER (LX)

SERIES LINE
H = HIGHLINE C = CHRYSLER
P = PREMIUM F = EAGLE
S = SPORT

BODY
48 = SEDAN TYPE #8

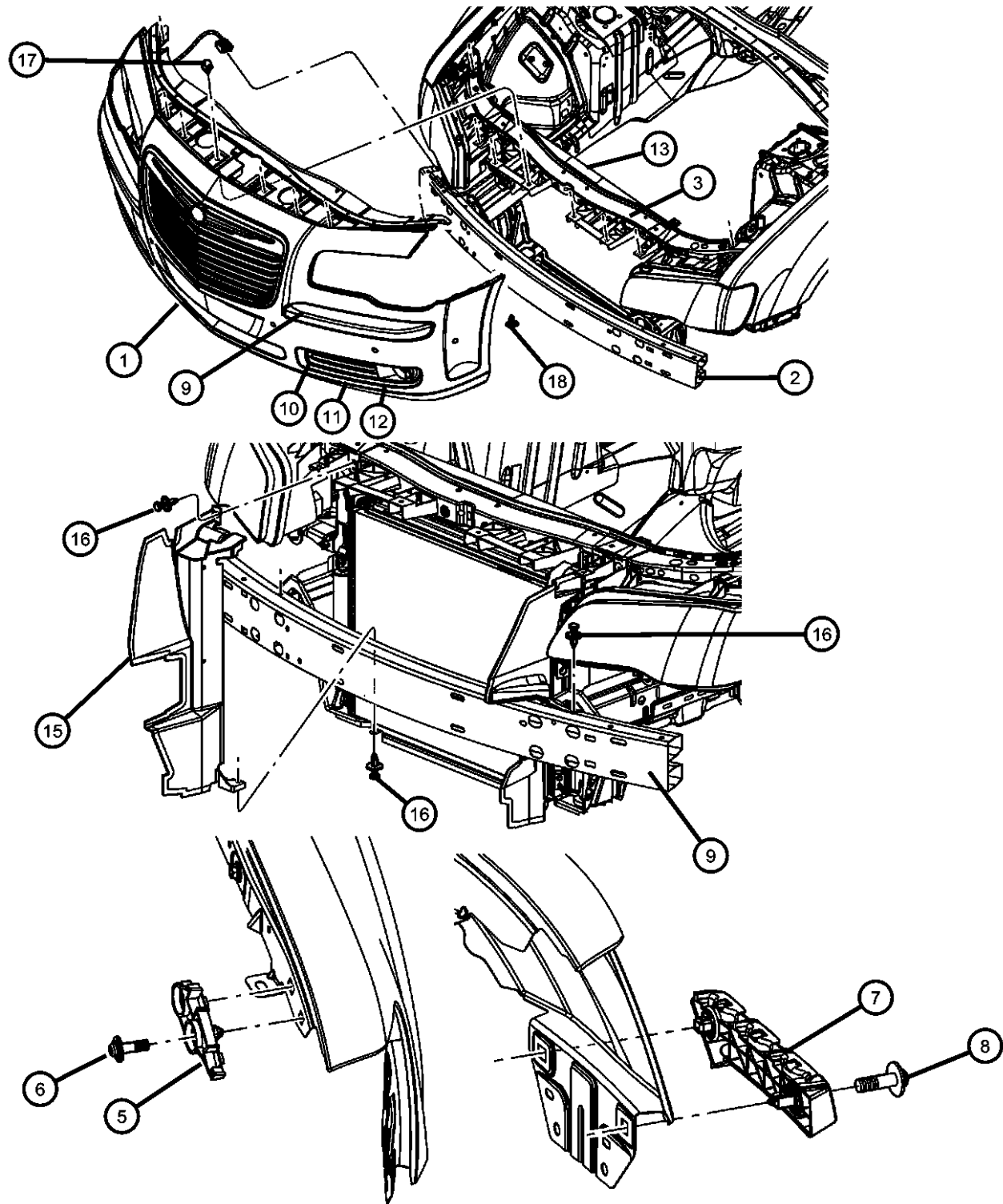
ENGINE
ERB = 3.0L Mid V6 Engine
EZH = 5.7L V8 HEMI MDS VCT Engine

TRANSMISSION
DGJ = 5-Speed Auto W5A580 Transmission

AR = use ase required - = Non illustrated part

2011 LX

Fascia, Front
Figure 13-205



ITEM	PART NUMBER	QTY	LINE	SERIES	BODY	ENGINE	TRANS	TRIM	DESCRIPTION
------	-------------	-----	------	--------	------	--------	-------	------	-------------

Sales Code:
 [AWT]= Road /Track Performance Group
 [LNJ]= Fog Lamps
 [MF1]= Bright Grille
 [MF5]= Bright/Accent Color Grille
 [MFF]= Black Grille With Body Color Surround
 [MFF]= Black Grille With Bright Surround
 [MFN]= Body Color Grille With Black Honey

1	68127939AA	1	C, F, Z		48				FASCIA, Front, Primed [XAG]
	68127938AA	1	C, F, Z		48				Without [XAG]
2	57010457AB	1	C, F, Z		48				BEAM, Front Bumper
3	57010299AB	1	C, F, Z		48				CROSSMEMBER, Front Support
-4	57010463AA	1	C, F, Z		48				ABSORBER, Front Energy
5	57010744AB	1	C, F, Z		48				BRACKET, Fascia Support Right
	57010745AB	1	C, F, Z		48				Left
6	06509481AA	2	C, F		48				SCREW, Hex Head, M6x2.69x21
7	57010401AA	1	C, F, Z		48				BRACKET, Fascia Support Left
	57010402AA	1	C, F, Z		48				Right
8	06509481AA	2	C, F		48				SCREW, Hex Head, M6x2.69x21
9	68127940AA	1	C, F, Z		48				STRIP, Front Fascia, Bright Right
	68127941AA	1	C, F, Z		48				Left
10	68127946AA	1	C, F, Z		48				BEZEL, Fog Lamp [MF5], [LNJ] Without [XAG], Right
	68127947AA	1	C, F, Z		48				[MF5], [LNJ] Without [XAG], Left
11	68127944AA	1	C, F, Z		48				PLUG, Fog Lamp Hole [MF5] Without [LNJ] And/Or [XAG], Right
	68127945AA	1	C, F, Z		48				[MF5] Without [LNJ] And/Or [XAG], Left
12	68127943AA	1	C, F, Z		48				BEZEL, Adaptive Cruise Control [MF5], [LNJ], [XAG], Left
	05182392AA	1	C, F, Z		48				[MF5], [LNJ], [XAG], Right
13	68127949AA	1	C, F, Z		48				PANEL, Close out
-14	68086345AA	1	C, F		48				LICENSE PLATE KIT
15									SHIELD, Radiator

MAGNUM/300/CHARGER (LX)

SERIES LINE
 H = HIGHLINE C = CHRYSLER
 P = PREMIUM F = EAGLE
 S = SPORT

BODY
 48 = SEDAN TYPE #8

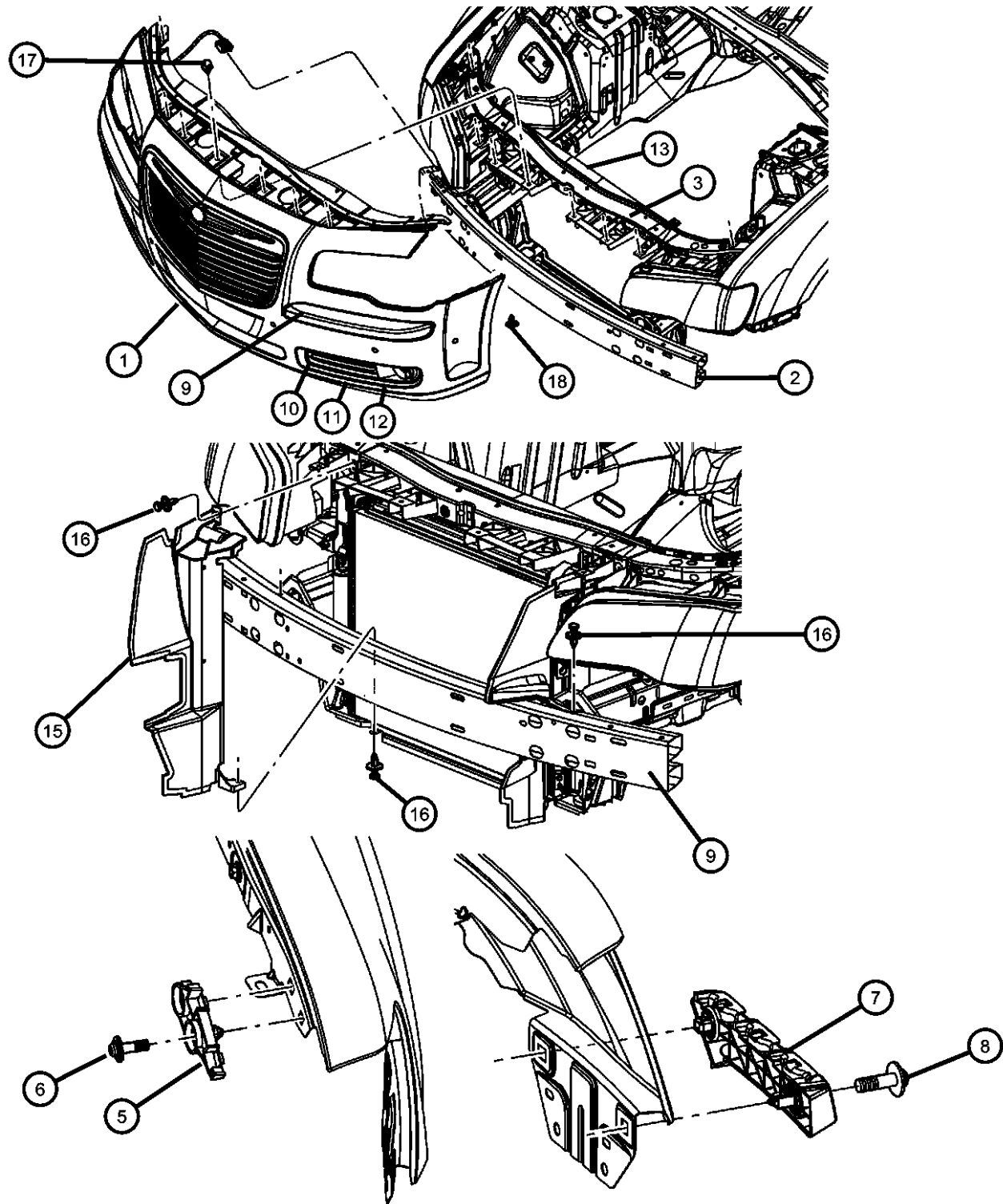
ENGINE
 ERB = 3.0L Mid V6 Engine
 EZH = 5.7L V8 HEMI MDS
 VCT Engine

TRANSMISSION
 DGJ = 5-Speed Auto W5A580
 Transmission

AR = use ase required - = Non illustrated part

2011 LX

Fascia, Front
Figure 13-205



ITEM	PART NUMBER	QTY	LINE	SERIES	BODY	ENGINE	TRANS	TRIM	DESCRIPTION
	57010366AA	1	C, F, Z		48				Right
	57010357AA	1	C, F, Z		48				Left
16	06509590AA	2	C, F, Z		48				PIN, Push
17	06509960AA	8	C, F, Z		48				PUSH PIN, M8X10.3
18	06509481AA	2	C, F		48				SCREW, Hex Head, M6x2.69x21

MAGNUM/300/CHARGER (LX)

SERIES LINE
H = HIGHLINE C = CHRYSLER
P = PREMIUM F = EAGLE
S = SPORT

BODY
48 = SEDAN TYPE #8

ENGINE
ERB = 3.XL Mid V6 Engine
EZH = 5.7L V8 HEMI MDS
VCT Engine

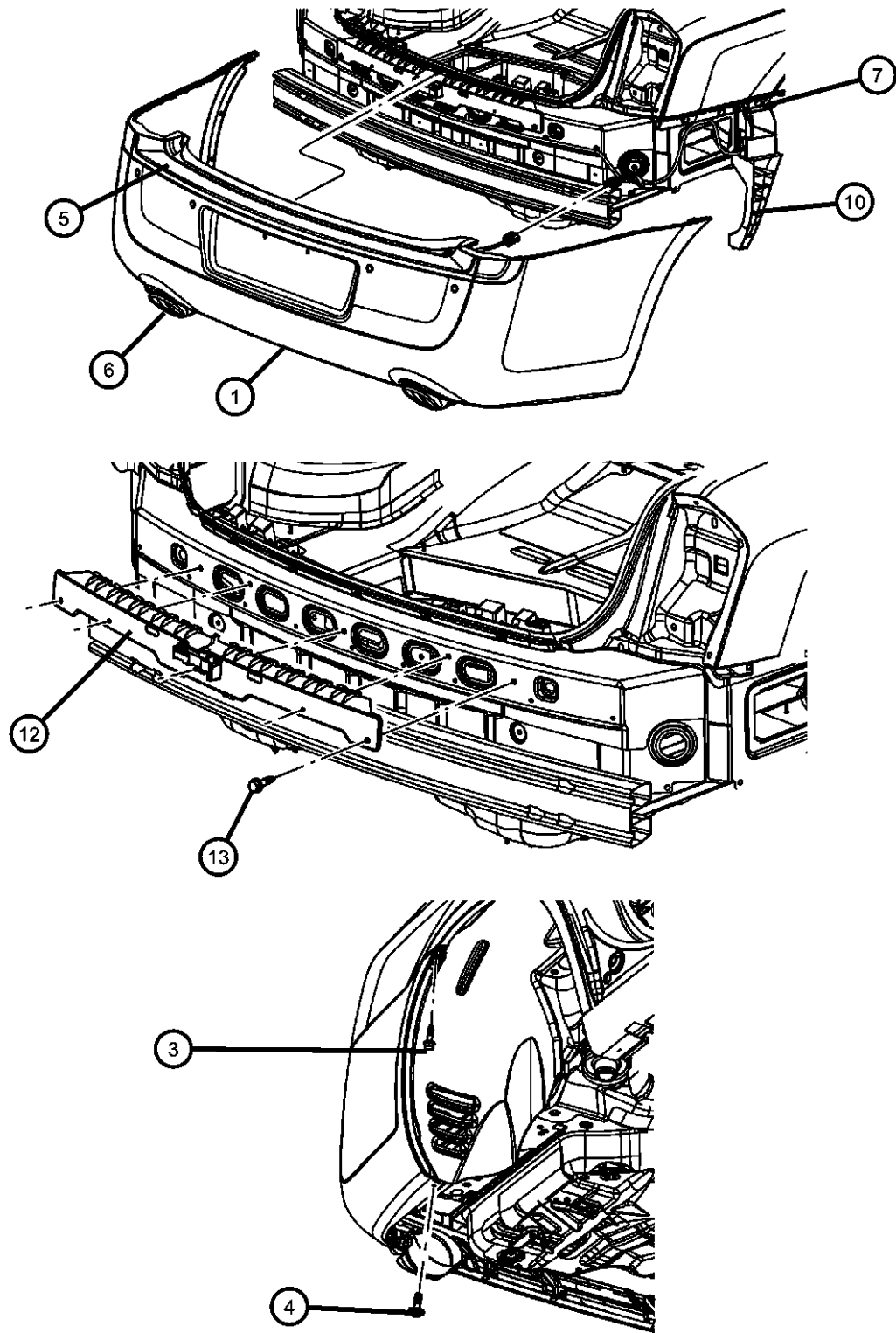
TRANSMISSION
DGJ = 5-Speed Auto W5A580
Transmission

AR = use ase required - = Non illustrated part

2011 LX

Fascia, Rear
Figure 13-305

ITEM	PART NUMBER	QTY	LINE	SERIES	BODY	ENGINE	TRANS	TRIM	DESCRIPTION
1	68127950AA	1	C, F, Z		48				FASCIA, Rear Without [XAG]
	68127951AA	1	C, F, Z		48				[XAG]
-2	57010466AA	1	C, F, Z		48				ABSORBER, Rear Energy
3	06105038AA	2	C, F, Z		48				BOLT, Hex Flange Head, M6X1.00X25.00
4	06509481AA	2	C, F		48				SCREW, Hex Head, M6x2.69x21
5	68127952AA	1	C, F, Z		48				STRIP, Rear Fascia, Bright
6	68127954AA	2	C, F, Z		48				EXHAUST TIP, Tailpipe
7									BRACKET, Fascia Support
	57010399AA	1	C, F, Z		48				Left
	57010400AA	1	C, F, Z		48				Right
-8	06505223AA	2	C, F		48				NUT, Spring, M6
-9	06509481AA	2	C, F		48				SCREW, Hex Head, M6x2.69x21
10									BRACKET, Fascia Support
	05182278AB	1	C, F, Z		48				Right
	05182279AB	1	C, F, Z		48				Left
-11	06104368AA	2	C, F, Z		48				BOLT AND WASHER, Hex Head, M6X1.00X25.00
12	68046498AC	1	C, F, Z		48				BRACKET, Deck Lid Opening
13	06104368AA	2	C, F, Z		48				BOLT AND WASHER, Hex Head, M6X1.00X25.00
-14	06504521	4	C, F, Z		48				PIN, Push



MAGNUM/300/CHARGER (LX)

SERIES LINE
H = HIGHLINE C = CHRYSLER
P = PREMIUM F = EAGLE
S = SPORT

BODY
48 = SEDAN TYPE #8

ENGINE
ERB = 3.XL Mid V6 Engine
EZH = 5.7L V8 HEMI MDS
VCT Engine

TRANSMISSION
DGJ = 5-Speed Auto W5A580
Transmission

AR = use ase required - = Non illustrated part

2011 LX

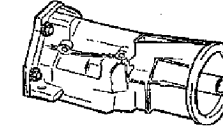
Group - 14

Fuel

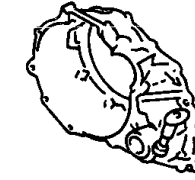
014-100
Fuel Tank



014-1000
Accelerator Pedal



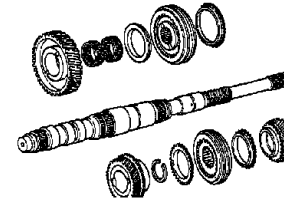
014-200
Fuel Tank Filler Tube



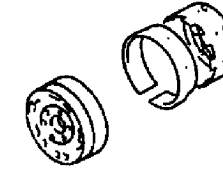
014-300
Fuel Lines



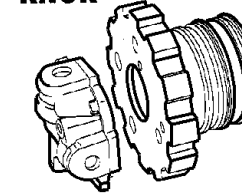
014-400
Fuel Rail and Injectors



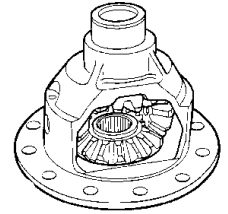
014-500
Fuel Pump and Sending Unit



014-600
Throttle Body



014-800
Air Cleaner

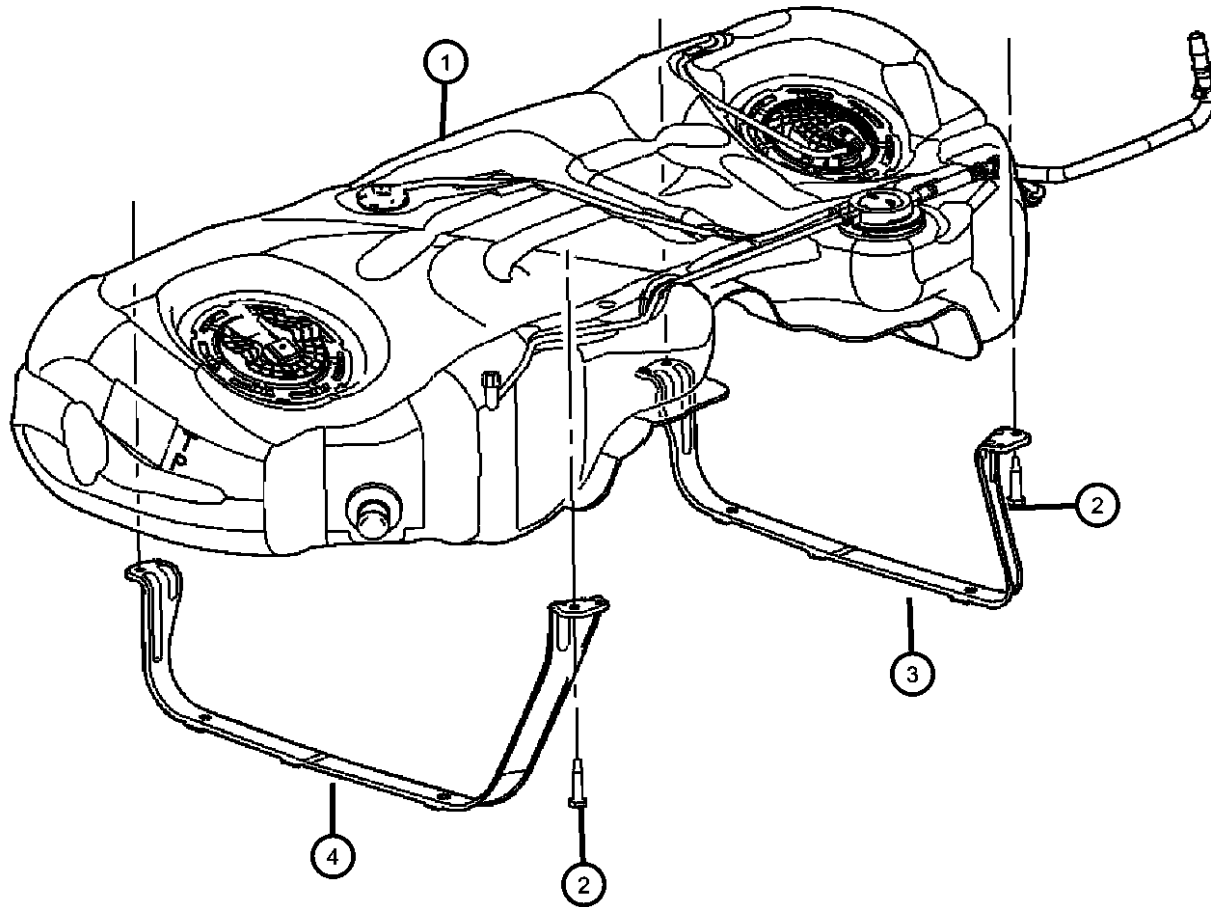


Group - 14 Fuel

Illustration Title	Group-Fig. No.
Fuel Tank	
Fuel Tank	Fig. 14 - 105
Fuel Tank Filler Tube	
Fuel Tank Filler Tube.....	Fig. 14 - 205
Fuel Lines	
Fuel Lines.....	Fig. 14 - 305
Fuel Rail and Injectors	
Fuel Rail	Fig. 14 - 405
Fuel Rail	Fig. 14 - 410
Fuel Pump and Sending Unit	
Fuel Pump Module.....	Fig. 14 - 505
Throttle Body	
Throttle Body	Fig. 14 - 605
Throttle Body	Fig. 14 - 610
Air Cleaner	
Air Cleaner.....	Fig. 14 - 805
Air Cleaner.....	Fig. 14 - 810
Accelerator Pedal	
Accelerator Pedal	Fig. 14 - 1005

Fuel Tank
Figure 14-105

ITEM	PART NUMBER	QTY	LINE	SERIES	BODY	ENGINE	TRANS	TRIM	DESCRIPTION
1	68102695AA	1	C, F, Z		48	EZH			TANK, Fuel
		1	C, F, Z		48	ERB			
2	06503839	4	C, F, Z		48				BOLT AND CONED WASHER, Hex Head, M8X1.25X40.00, Fuel Tank, Mounting
3	04578652AB	1	C, F, Z		48				STRAP, Fuel TankRight
4	04578653AB	1	C, F, Z		48				STRAP, Fuel TankLeft



MAGNUM/300/CHARGER (LX)

SERIES LINE
H = HIGHLINE C = CHRYSLER
P = PREMIUM F = EAGLE
S = SPORT

BODY
48 = SEDAN TYPE #8

ENGINE
ERB = 3.XL Mid V6 Engine
EZH = 5.7L V8 HEMI MDS
VCT Engine

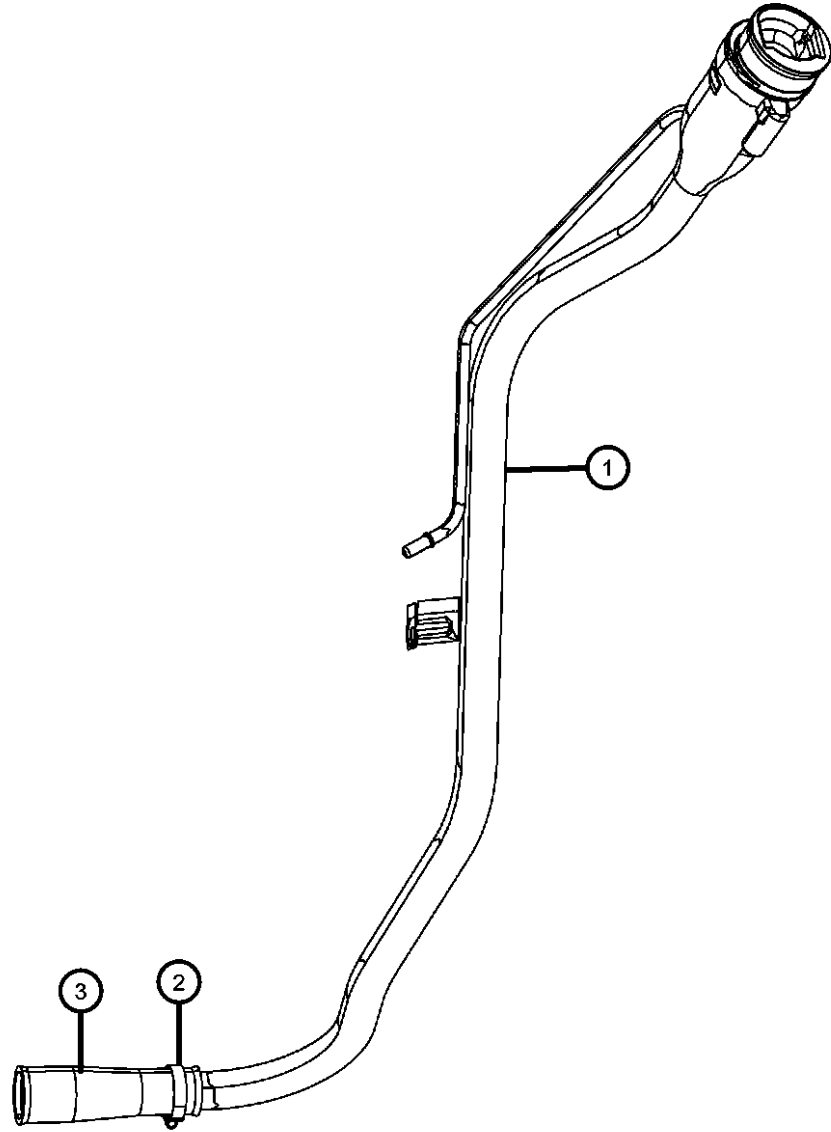
TRANSMISSION
DGJ = 5-Speed Auto W5A580
Transmission

AR = use ase required - = Non illustrated part

2011 LX

**Fuel Tank Filler Tube
Figure 14-205**

ITEM	PART NUMBER	QTY	LINE	SERIES	BODY	ENGINE	TRANS	TRIM	DESCRIPTION
1	04584554AD	1	C, F, Z		48				TUBE, Fuel Filler
2	06505609AA	1	C, F, Z		48				CLAMP, Hose, 45mm Diameter
3	68064408AB	1	C, F, Z		48				HOSE, Fuel Filler Tube



MAGNUM/300/CHARGER (LX)

SERIES LINE
H = HIGHLINE C = CHRYSLER
P = PREMIUM F = EAGLE
S = SPORT

BODY
48 = SEDAN TYPE #8

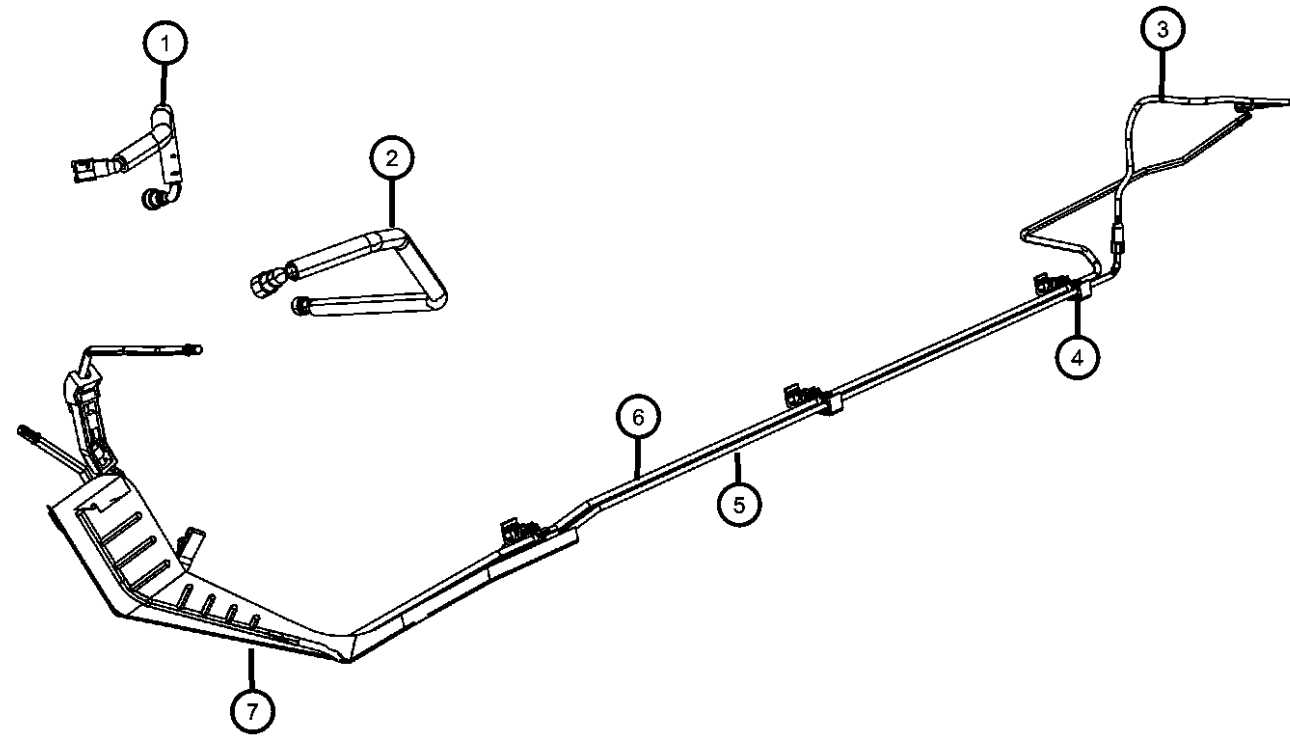
ENGINE
ERB = 3.XL Mid V6 Engine
EZH = 5.7L V8 HEMI MDS
VCT Engine

TRANSMISSION
DGJ = 5-Speed Auto W5A580
Transmission

AR = use ase required - = Non illustrated part

2011 LX

Fuel Lines
Figure 14-305



ITEM	PART NUMBER	QTY	LINE	SERIES	BODY	ENGINE	TRANS	TRIM	DESCRIPTION
1									TUBE, Fuel Supply
	04581407AC	1	C, F, Z		48	EZH			
		1	C, F, Z		48	ERB			
2	04578614AD	1	C, F, Z		48	EZH			HOSE, Fuel Supply
3	04584557AD	1	C, F, Z		48	ERB			TUBE, Fuel Supply
4	05137752AA	4	C, F, Z		48				CLIP, Fuel Bundle
5	68103983AA	1	C, F, Z		48				TUBE, Fuel Supply
6	68103987AA	1	C, F, Z		48				TUBE, Fuel Vapor
7	05137754AA	1	C, F, Z		48				SHIELD, Fuel and Brake Bundle
-8	04582074	1	C, F, Z		48				CLIP, Fuel Bundle
-9	05137750AA	1	C, F, Z		48				CLIP, Fuel Bundle
-10	05137751AA	1	C, F, Z		48				CLIP, Fuel Bundle
-11	05137753AA	1	C, F, Z		48				CLIP, Fuel Bundle
-12	05175876AA	1	C, F, Z		48				CLIP, Fuel Tube

MAGNUM/300/CHARGER (LX)

SERIES LINE
H = HIGHLINE C = CHRYSLER
P = PREMIUM F = EAGLE
S = SPORT

BODY
48 = SEDAN TYPE #8

ENGINE
ERB = 3.XL Mid V6 Engine
EZH = 5.7L V8 HEMI MDS
VCT Engine

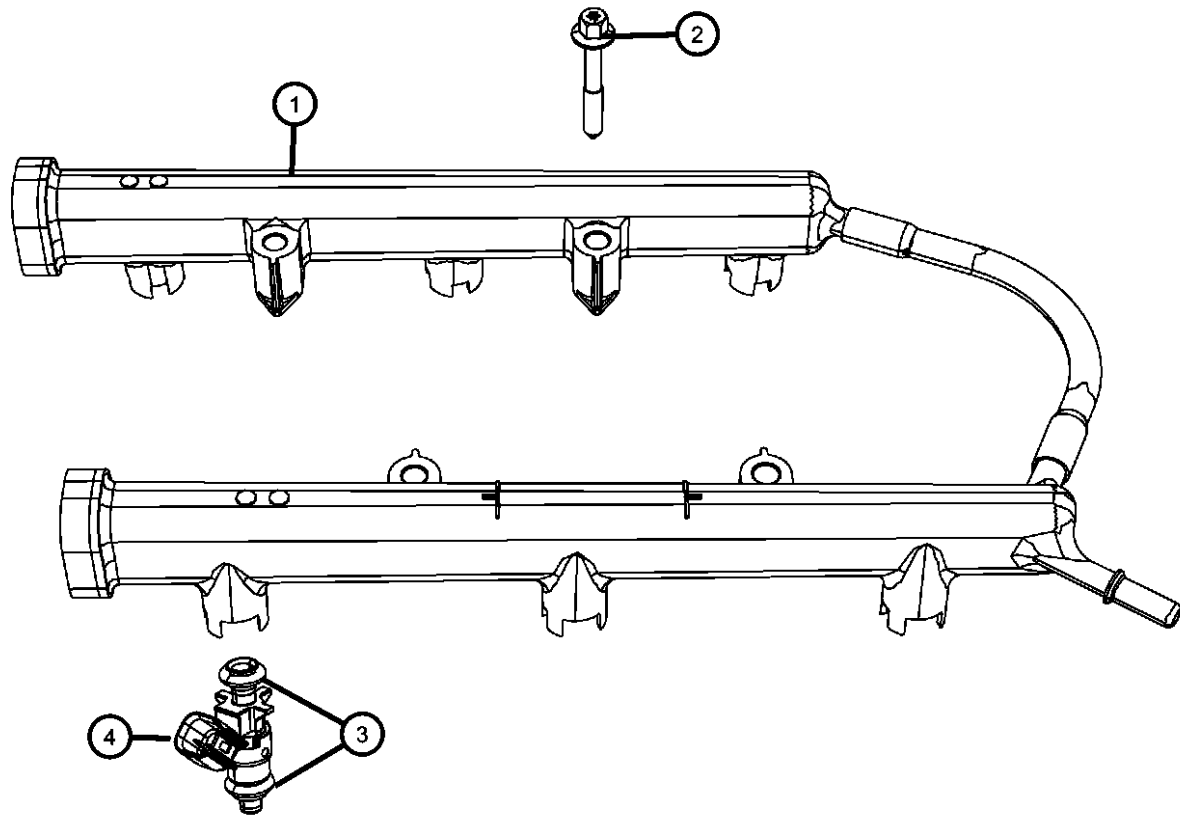
TRANSMISSION
DGJ = 5-Speed Auto W5A580
Transmission

AR = use ase required - = Non illustrated part

2011 LX

Fuel Rail
Figure 14-405

ITEM	PART NUMBER	QTY	LINE	SERIES	BODY	ENGINE	TRANS	TRIM	DESCRIPTION
1	53034198AC	1	C, F, Z		48	ERB			RAIL, Fuel
2	06509356AA	4	C, F, Z		48	ERB			BOLT, Fuel Rail to Intake Lower, Mounting
3	68080831AA	6	C, F, Z		48	ERB			O RING KIT, Fuel Injector
4	05184085AC	6	C, F, Z		48	ERB			INJECTOR, Fuel



MAGNUM/300/CHARGER (LX)

SERIES LINE
H = HIGHLINE C = CHRYSLER
P = PREMIUM F = EAGLE
S = SPORT

BODY
48 = SEDAN TYPE #8

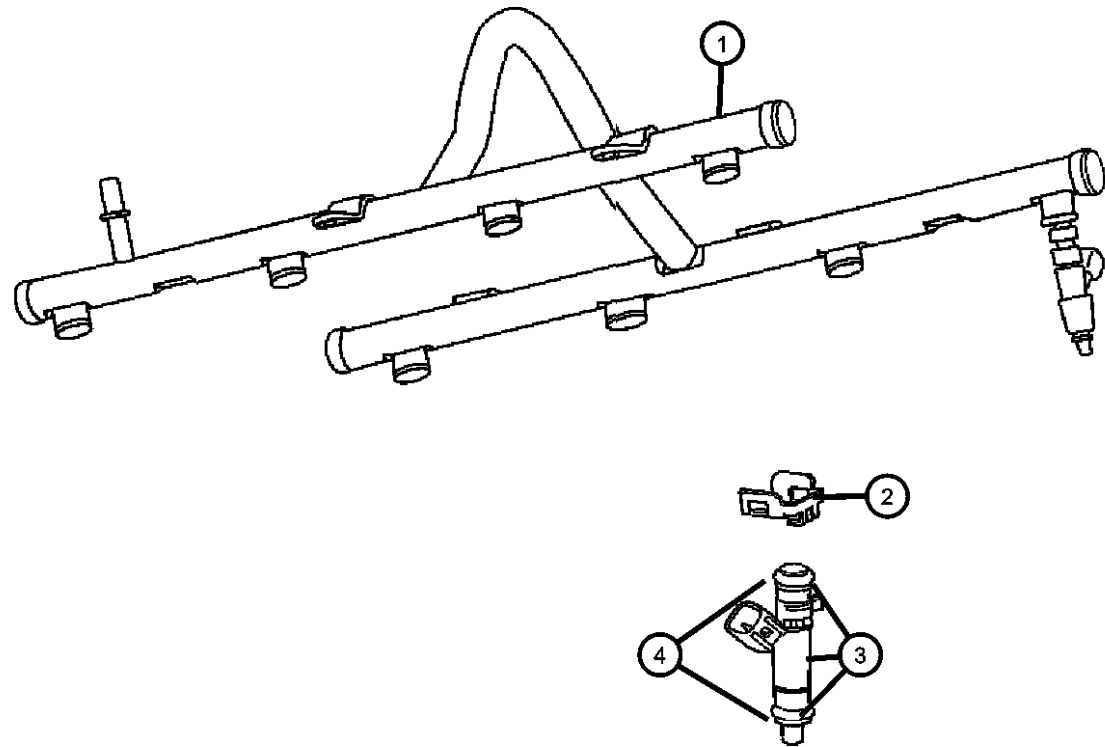
ENGINE
ERB = 3.XL Mid V6 Engine
EZH = 5.7L V8 HEMI MDS
VCT Engine

TRANSMISSION
DGJ = 5-Speed Auto W5A580
Transmission

AR = use ase required - = Non illustrated part

Fuel Rail
Figure 14-410

ITEM	PART NUMBER	QTY	LINE	SERIES	BODY	ENGINE	TRANS	TRIM	DESCRIPTION
1	53013888AC	1	C, F, Z		48	EZH			RAIL, Fuel
2	53032905AA	8	C, F, Z		48	EZH			CLIP, Fuel Injector
3	05037479AA	8	C, F, Z		48	EZH			INJECTOR, Fuel
4	04897125AA	8	C, F, Z		48	EZH			O RING KIT, Fuel Injector



MAGNUM/300/CHARGER (LX)

SERIES LINE
H = HIGHLINE C = CHRYSLER
P = PREMIUM F = EAGLE
S = SPORT

BODY
48 = SEDAN TYPE #8

ENGINE
ERB = 3.XL Mid V6 Engine
EZH = 5.7L V8 HEMI MDS
VCT Engine

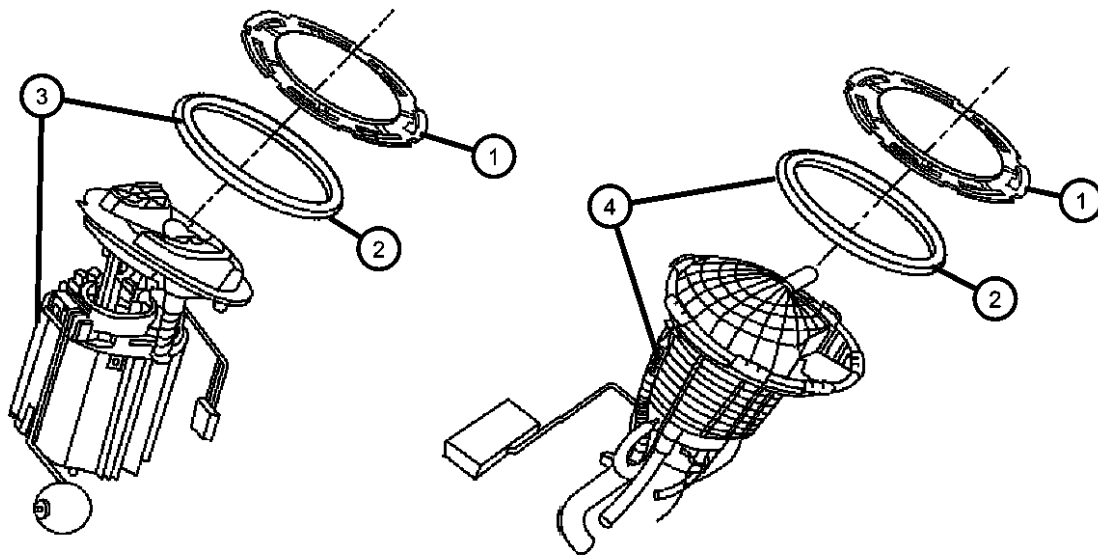
TRANSMISSION
DGJ = 5-Speed Auto W5A580
Transmission

AR = use ase required - = Non illustrated part

2011 LX

Fuel Pump Module
Figure 14-505

ITEM	PART NUMBER	QTY	LINE	SERIES	BODY	ENGINE	TRANS	TRIM	DESCRIPTION
1	52110282AA	2	C, F, Z		48	EZH			RING, Lock, Fuel Module
		2	C, F, Z		48	ERB			
2	55366298AA	2	C, F, Z		48	ERB			O RING, Fuel Pump and Level Unit
		2	C, F, Z		48	EZH			
3	05136022AG	1	C, F, Z		48	EZH			MODULE PACKAGE, Fuel Pump/Level Unit
		1	C, F, Z		48	ERB			
	68102700AA	1	C, F, Z		48	EZH			[XDC]
		1	C, F, Z		48	ERB			[XDC]
4	05136023AC	1	C, F, Z		48	ERB			MODULE KIT, Auxiliary Fuel Pump
		1	C, F, Z		48	EZH			



MAGNUM/300/CHARGER (LX)

SERIES LINE
H = HIGHLINE C = CHRYSLER
P = PREMIUM F = EAGLE
S = SPORT

BODY
48 = SEDAN TYPE #8

ENGINE
ERB = 3.XL Mid V6 Engine
EZH = 5.7L V8 HEMI MDS
VCT Engine

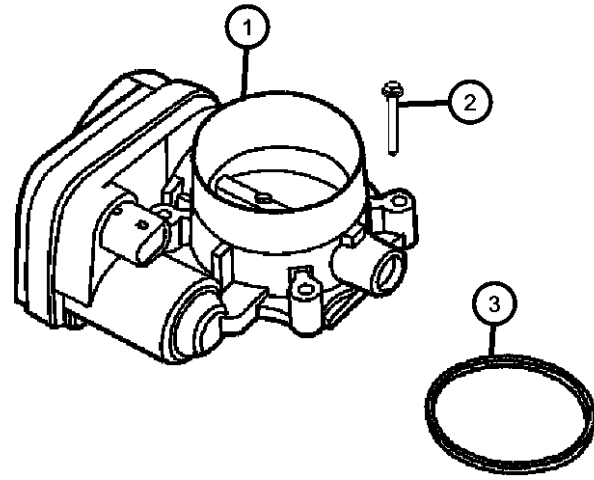
TRANSMISSION
DGJ = 5-Speed Auto W5A580
Transmission

AR = use ase required - = Non illustrated part

2011 LX

**Throttle Body
Figure 14-605**

ITEM	PART NUMBER	QTY	LINE	SERIES	BODY	ENGINE	TRANS	TRIM	DESCRIPTION
1	05184349AB	1	C, F, Z		48	ERB			THROTTLE BODY
2	06509356AA	4	C, F, Z		48	ERB			BOLT, Throttle Body to Intake Manifold, Mounting
3	53032763AA	1	C, F, Z		48	ERB			GASKET, Throttle Body



MAGNUM/300/CHARGER (LX)

SERIES LINE
H = HIGHLINE C = CHRYSLER
P = PREMIUM F = EAGLE
S = SPORT

BODY
48 = SEDAN TYPE #8

ENGINE
ERB = 3.XL Mid V6 Engine
EZH = 5.7L V8 HEMI MDS
VCT Engine

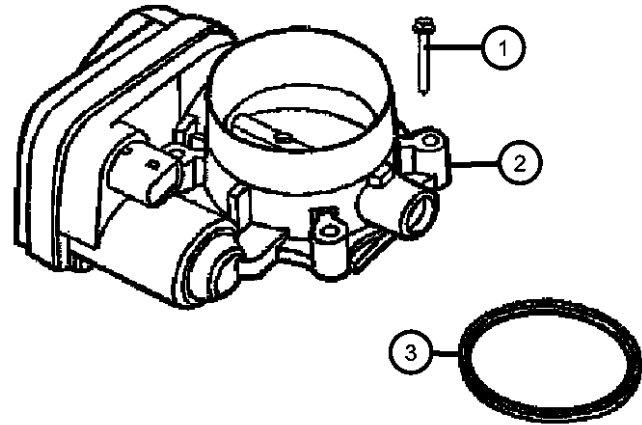
TRANSMISSION
DGJ = 5-Speed Auto W5A580
Transmission

AR = use ase required - = Non illustrated part

2011 LX

**Throttle Body
Figure 14-610**

ITEM	PART NUMBER	QTY	LINE	SERIES	BODY	ENGINE	TRANS	TRIM	DESCRIPTION
1	06509302AA	4	C, F, Z		48	EZH			BOLT, Hex Flange Head, M5.74X1.81X43.00, Actuator to Intake Manifold, Mounting THROTTLE BODY
2	04591847AC	1	C, F, Z		48	EZH			THROTTLE BODY
3	53022320AB	1	C, F, Z		48	EZH			SEAL, Throttle Body to Intake



MAGNUM/300/CHARGER (LX)

SERIES LINE
H = HIGHLINE C = CHRYSLER
P = PREMIUM F = EAGLE
S = SPORT

BODY
48 = SEDAN TYPE #8

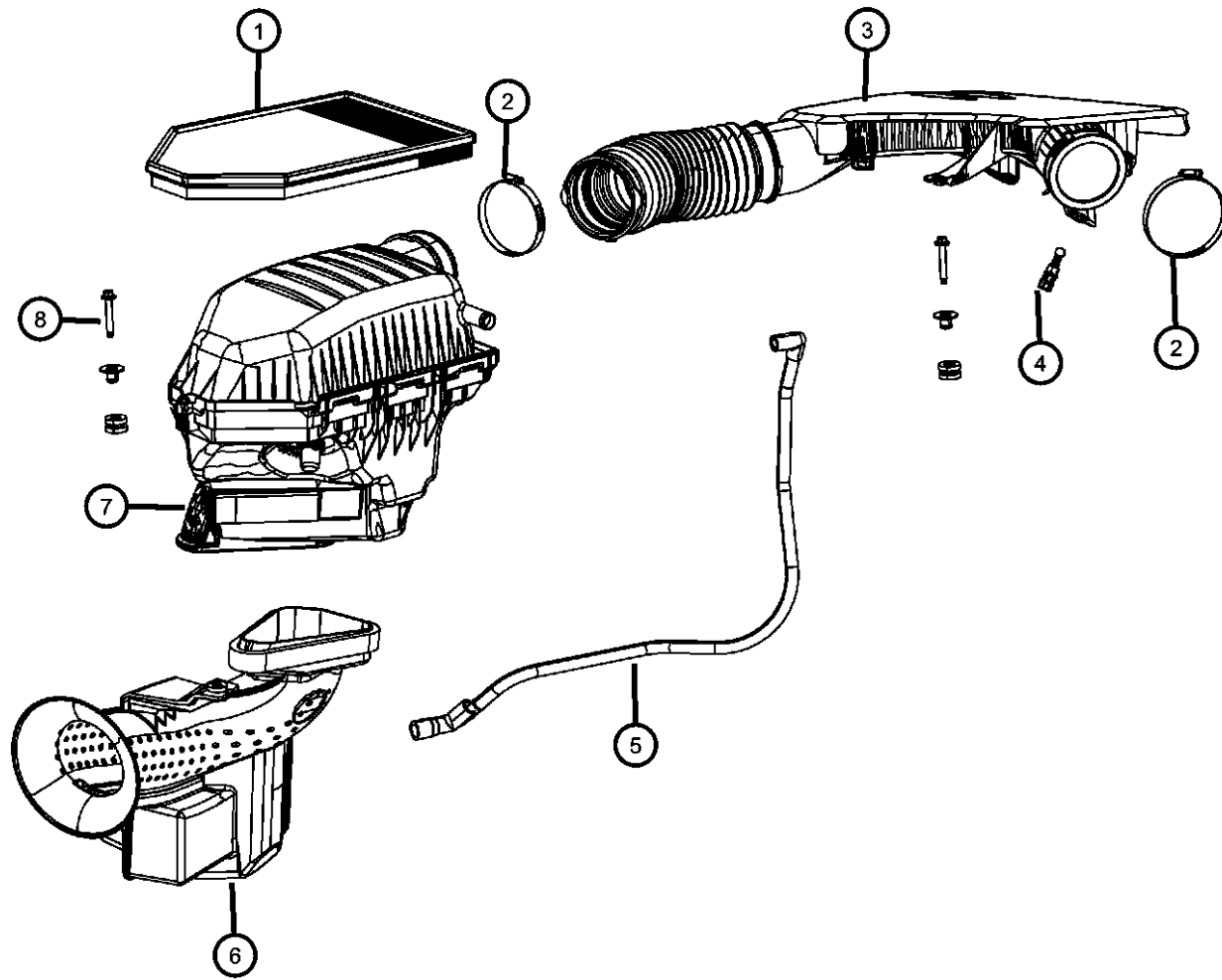
ENGINE
ERB = 3.XL Mid V6 Engine
EZH = 5.7L V8 HEMI MDS VCT Engine

TRANSMISSION
DGJ = 5-Speed Auto W5A580 Transmission

AR = use ase required - = Non illustrated part

2011 LX

**Air Cleaner
Figure 14-805**



ITEM	PART NUMBER	QTY	LINE	SERIES	BODY	ENGINE	TRANS	TRIM	DESCRIPTION
1	04861746AA	1	C, F, Z		48	ERB			FILTER, Air
2	06507954AA	1	C, F, Z		48	ERB			CLAMP, HOSE CLAMP Duct to Air Cleaner
		1	C, F, Z		48	ERB			Duct to Throttle Body
3	04861926AE	1	C, F, Z		48	ERB			DUCT, Clean Air
4	04891847AA	1	C, F, Z		48	ERB			BALL STUD, Resonator to Cylinder Head Cover, Mounting
5	05184805AA	1	C, F, Z		48	ERB			HOSE, Make Up Air
6	04861927AD	1	C, F, Z		48	ERB			RESONATOR, Air Cleaner
7	04861743AC	1	C, F, Z		48	ERB			AIR CLEANER
8	06509830AA	1	C, F, Z		48				SCREW, Hex Head, M6 x 1.00 x 40.00, Air Cleaner to Headlamp Crossmember, Mounting
-9	06507559AA	1	C, F, Z		48				U-NUT, M6 x 1.00, M6x1.00, Air Cleaner to Headlamp Crossmember, Mounting

MAGNUM/300/CHARGER (LX)

SERIES LINE
H = HIGHLINE C = CHRYSLER
P = PREMIUM F = EAGLE
S = SPORT

BODY
48 = SEDAN TYPE #8

ENGINE
ERB = 3.XL Mid V6 Engine
EZH = 5.7L V8 HEMI MDS
VCT Engine

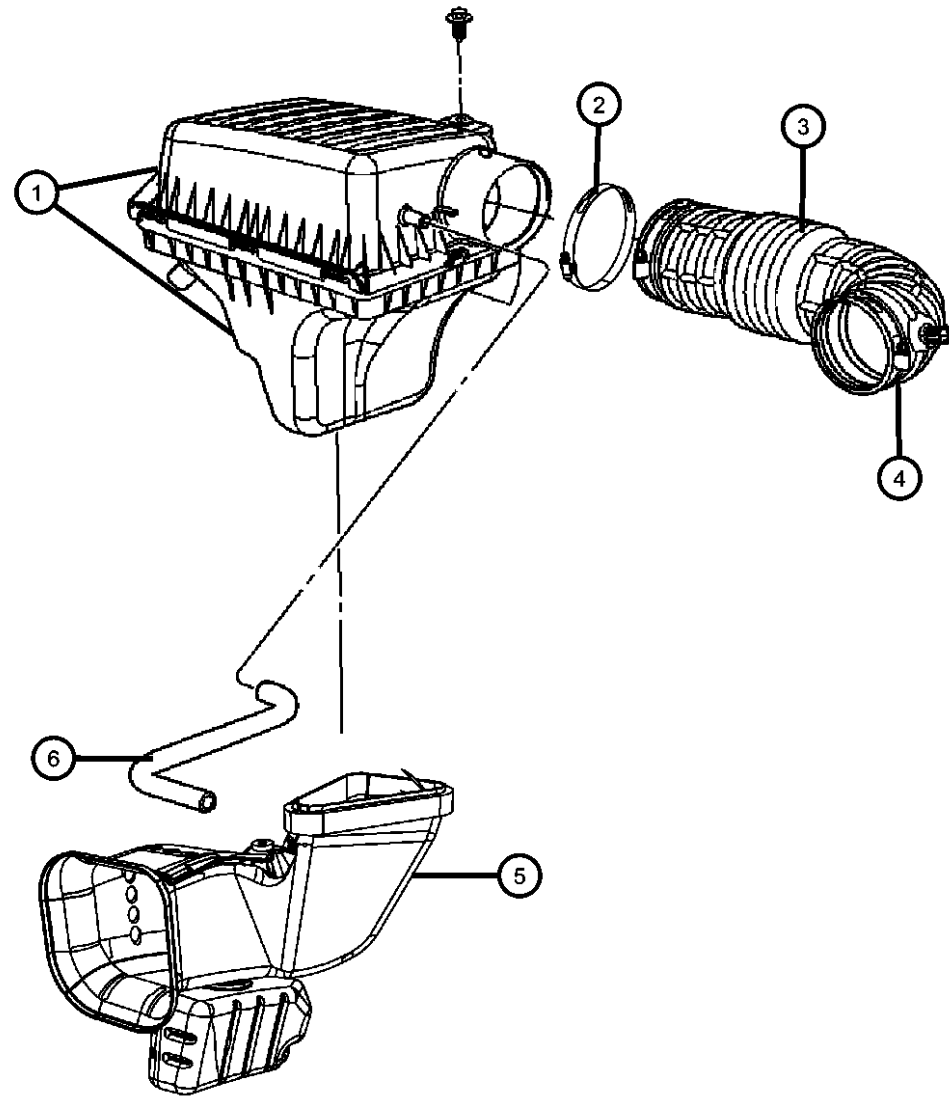
TRANSMISSION
DGJ = 5-Speed Auto W5A580
Transmission

AR = use ase required - = Non illustrated part

2011 LX

Air Cleaner
Figure 14-810

ITEM	PART NUMBER	QTY	LINE	SERIES	BODY	ENGINE	TRANS	TRIM	DESCRIPTION
1	04861843AB	1	C, F, Z		48	EZH			AIR CLEANER
2	05037566AA	1	C, F, Z		48	EZH			CLAMP, HOSE CLAMP
3	04861940AC	1	C, F, Z		48	EZH			DUCT, Clean Air
4	53013726AA	1	C, F, Z		48	EZH			CLAMP, Hose to Air Cleaner
5	04861739AC	1	C, F, Z		48	EZH			RESONATOR, Air Cleaner
6	04593974AA	1	C, F, Z		48	EZH			HOSE, Make Up Air
-7	04861746AA	1	C, F, Z		48	EZH			FILTER, Air



MAGNUM/300/CHARGER (LX)

SERIES LINE
H = HIGHLINE C = CHRYSLER
P = PREMIUM F = EAGLE
S = SPORT

BODY
48 = SEDAN TYPE #8

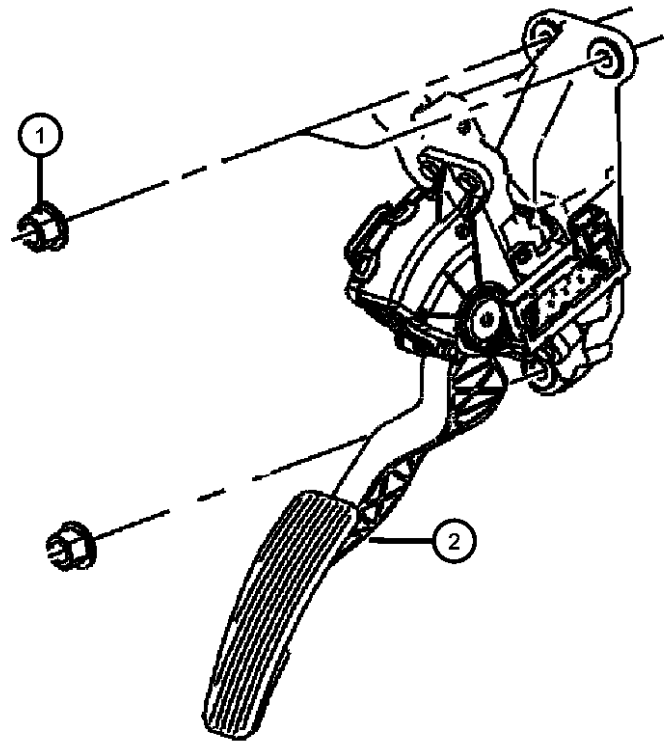
ENGINE
ERB = 3.XL Mid V6 Engine
EZH = 5.7L V8 HEMI MDS
VCT Engine

TRANSMISSION
DGJ = 5-Speed Auto W5A580
Transmission

AR = use ase required - = Non illustrated part

**Accelerator Pedal
Figure 14-1005**

ITEM	PART NUMBER	QTY	LINE	SERIES	BODY	ENGINE	TRANS	TRIM	DESCRIPTION
1	06502756	3	C, F		48				NUT, Hex Lock, M8x1.25, Accelerator Pedal to Dash, Mounting
2									PEDAL, Accelerator
	04861714AC	1	C, F		48				
	04861716AB	1	C, F		48				Pedal Only



MAGNUM/300/CHARGER (LX)

SERIES	LINE	BODY	ENGINE	TRANSMISSION
H = HIGHLINE	C = CHRYSLER	48 = SEDAN TYPE #8	ERB = 3.XL Mid V6 Engine	DGJ = 5-Speed Auto W5A580
P = PREMIUM	F = EAGLE		EZH = 5.7L V8 HEMI MDS	Transmission
S = SPORT			VCT Engine	

AR = use ase required - = Non illustrated part

Group - 17

Rear Suspension

Group - 17 Rear Suspension

Illustration Title

Group-Fig. No.

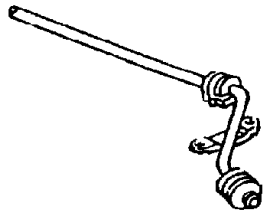
Rear Suspension and Cradle

Suspension,Rear Links,KnucklesFig. 17 - 105

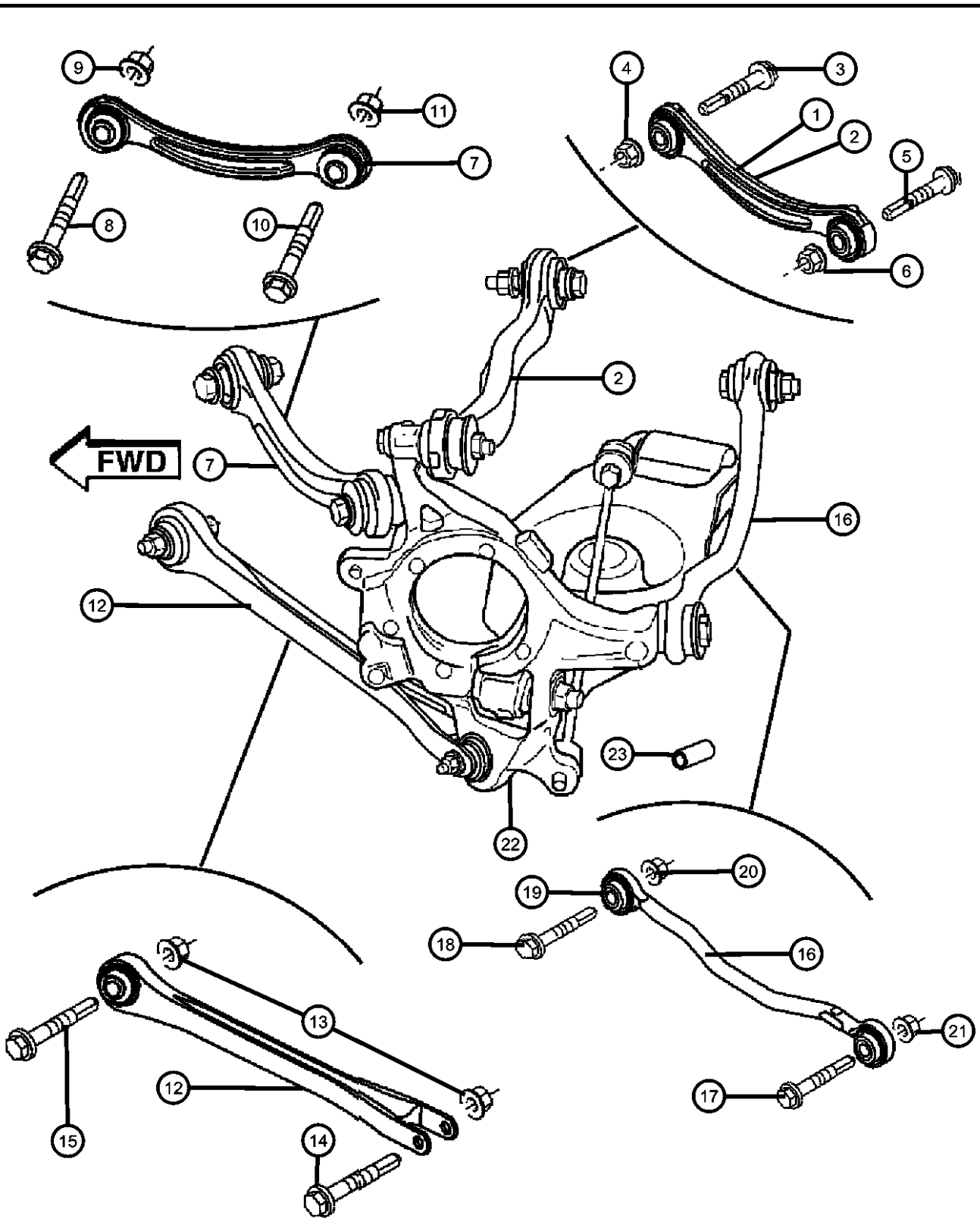
Rear Shocks, Spring LinkFig. 17 - 107

Rear Stabilizer

Stabilizer Bar,RearFig. 17 - 205

<p>017-100 Rear Suspension and Cradle</p>	<p>017-200 Rear Stabilizer</p> 		
--	---	--	--

Suspension,Rear Links,Knuckles
Figure 17-105



ITEM	PART NUMBER	QTY	LINE	SERIES	BODY	ENGINE	TRANS	TRIM	DESCRIPTION
1	05180564AA	1							LINK ASSEMBLY, Camber Right
	05180565AA	1							Left
2	05180566AA	AR							CAMBER LINK Repair - Plus 1mm, Right
	05180567AA	AR							Repair-Plus 1mm, Left
	05180568AA	AR							Repair - Minus 1mm, Right
	05180569AA	AR							Repair - Minus 1mm, Left
3	06507097AA	2							BOLT AND WASHER, Hex Head, M12X1.75X70.00
4	06502835	2							NUT, Hex Flange Lock, M12x1.75, Camber Link To Subframe
5	06507099AA	2							BOLT AND WASHER, Hex Head, Camber Link To Knuckle
6	06507108AA	2							NUT AND WASHER, Hex, M12X1.75, Camber Link To Knuckle
7	68045330AA	2							LINK ASSEMBLY, Tension
8	06507097AA	2							BOLT AND WASHER, Hex Head, M12X1.75X70.00
9	06502835	1							NUT, Hex Flange Lock, M12x1.75, Tension Link To Subframe
10	06507099AA	2							BOLT AND WASHER, Hex Head, Tension Link To Knuckle
11	06507108AA	2							NUT AND WASHER, Hex, M12X1.75, Tension Link To Knuckle
12	05180480AC	2							LINK ASSEMBLY, Compression
13	06502835	1							NUT, Hex Flange Lock, M12x1.75, Compression Link To Subframe
14	06507098AA	2							BOLT AND WASHER, Hex Head, Compression Link To Knuckle
15	06507097AA	2							BOLT AND WASHER, Hex Head, M12X1.75X70.00, Compression Link To Subframe
16	68051638AA	1							TOE LINK Right
	68051639AA	1							Left
17	06507107AA	2							BOLT AND WASHER, Hex Head, Toe Link To Knuckle
18	06507538AA	2							BOLT AND WASHER, Hex Head, Toe Link To Subframe
19	06507539AA	2							WASHER, Flat
20	06507207AA	2							NUT, Hex Flange Lock, M12x1.75

MAGNUM/300/CHARGER (LX)
 SERIES LINE
 H = HIGHLINE C = CHRYSLER
 P = PREMIUM F = EAGLE
 S = SPORT

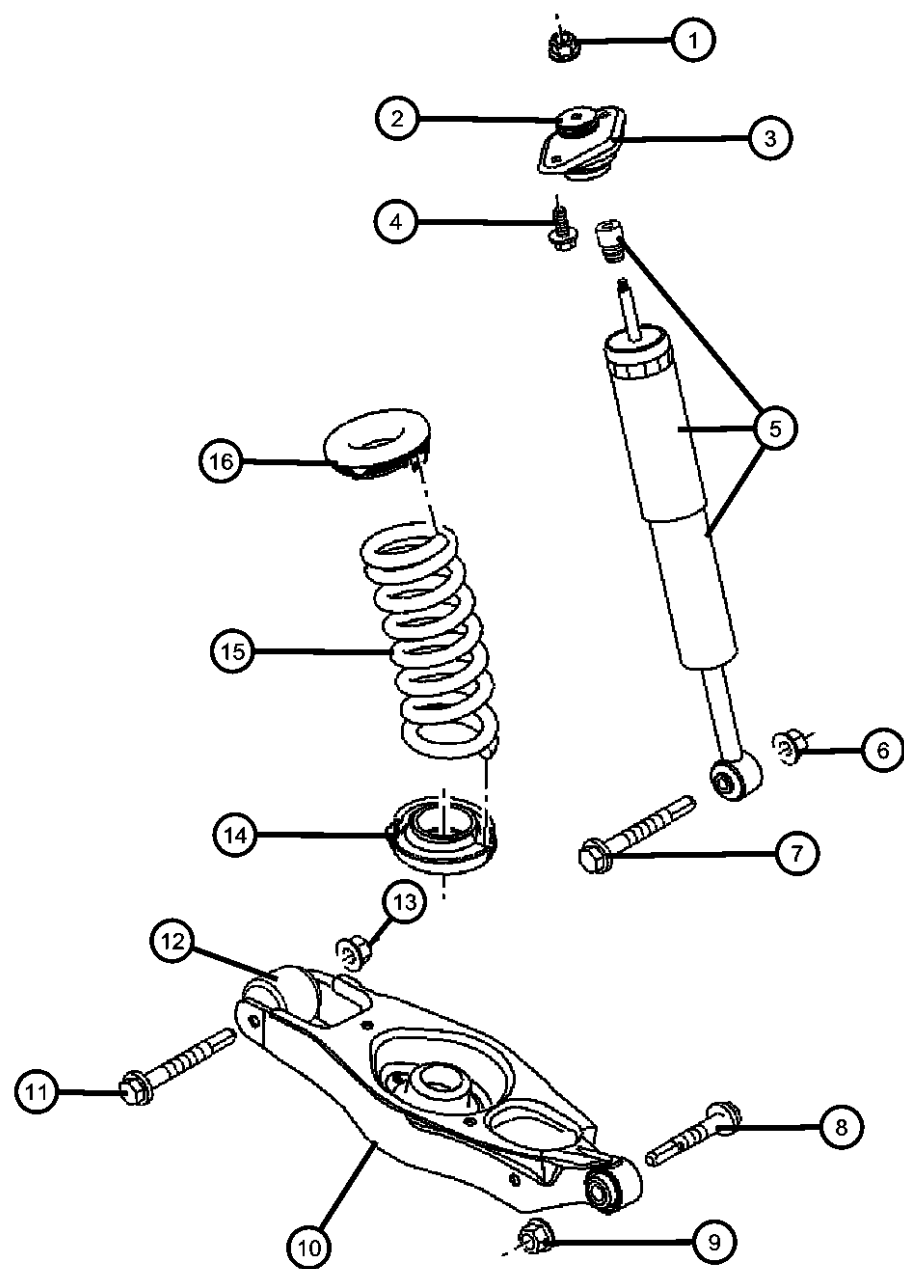
BODY
 48 = SEDAN TYPE #8

ENGINE
 ERB = 3.XL Mid V6 Engine
 EZH = 5.7L V8 HEMI MDS
 VCT Engine

TRANSMISSION
 DGJ = 5-Speed Auto W5A580
 Transmission

AR = use ase required - = Non illustrated part

Rear Shocks, Spring Link
Figure 17-107



ITEM	PART NUMBER	QTY	LINE	SERIES	BODY	ENGINE	TRANS	TRIM	DESCRIPTION
1	06502337	2							NUT AND WASHER, Hex Locking, M10x1.50
2	04782926AA	2							RETAINER, Shock Absorber
3	68042668AA	2							MOUNT, Strut
4	06104424AA	4							BOLT AND WASHER, Hex Head, M10x1.50x55.00
5									SHOCK ABSORBER, Suspension, Rear
	68072160AC	2				EZH			[SDG]
	68072161AC	2							[SDC]
	68072162AB	2							[SDD]
	68072164AC	2							[X91]
	68072165AA	2							[SDE]
	04895767AD	2							[SDB]
	05168645AA	2				ERB			[SDG]
6	06502697	1							NUT, Hex Flange Lock, M12x1.75
7	06504863AA	2							BOLT, Hex Flange Head, M12x1.75x89.50
8	06507089AA	2							BOLT, Hex Head, M14x2.00x120.00
9	06502502	2							NUT, Hex Flange Lock, M14x2
10	04782598AF	2							SPRING LINK
11	06506021AA	2							BOLT, Hex Flange Head Lock, M12x1.75x110.00
12	05180371AA	2							BUSHING, Spring Link
13	06502835	2							NUT, Hex Flange Lock, M12x1.75
14	04895382AA	2							ISOLATOR, SpringLower
15									SPRING, Rear Coil
	68032311AB	1							[ZPR]
		1							[ZBR]
	68032312AB	1							[ZPS]
		1							[ZBS]
	68032313AA	1							[ZRT]
	68032314AA	1							[ZCU]
	68032315AB	1							[ZRX]
		1							[ZCX]
	68032316AB	1							[ZRY]
		1							[ZCY]
	68032317AA	1							[ZRZ]

MAGNUM/300/CHARGER (LX)

SERIES LINE
H = HIGHLINE C = CHRYSLER
P = PREMIUM F = EAGLE
S = SPORT

BODY
48 = SEDAN TYPE #8

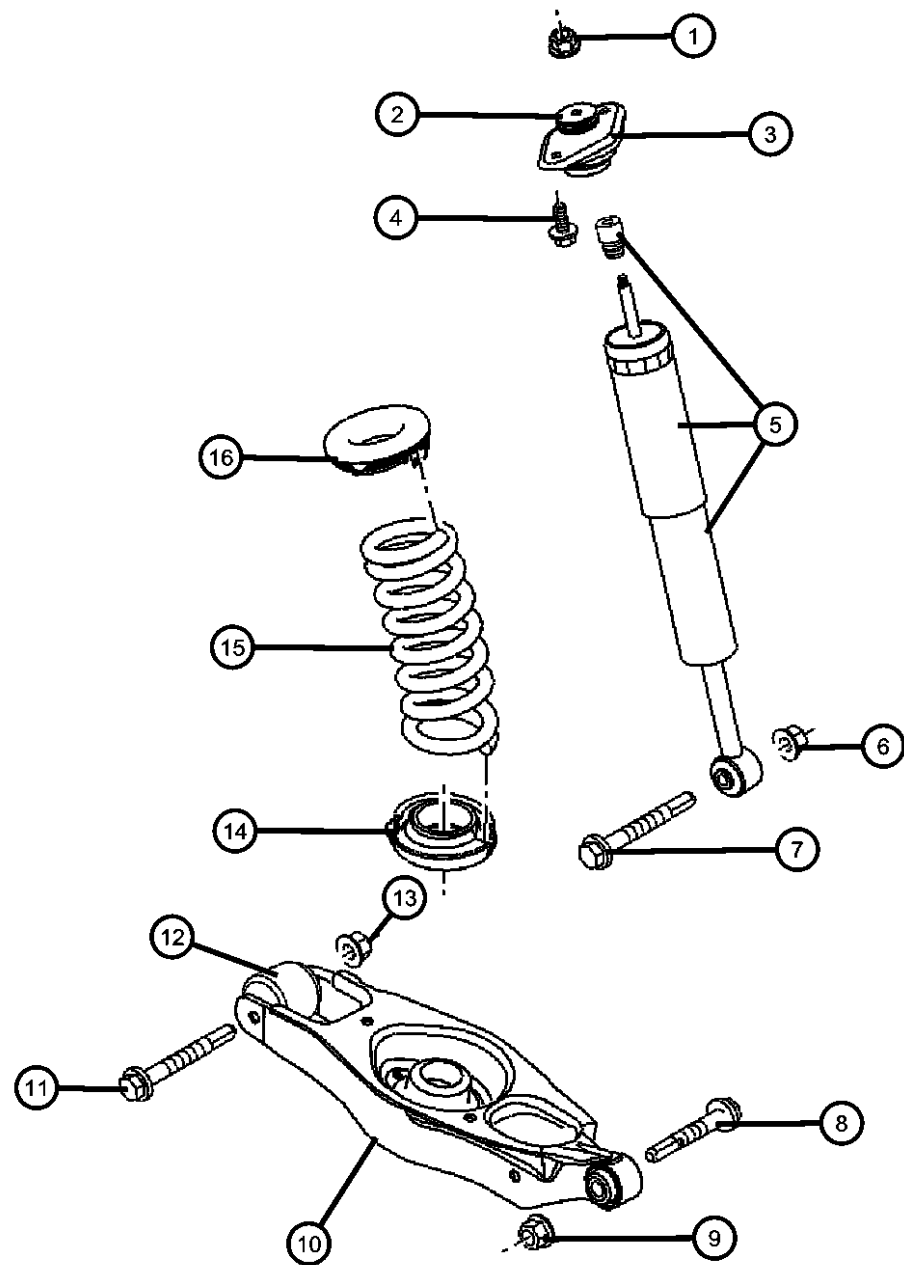
ENGINE
ERB = 3.XL Mid V6 Engine
EZH = 5.7L V8 HEMI MDS
VCT Engine

TRANSMISSION
DGJ = 5-Speed Auto W5A580
Transmission

AR = use ase required - = Non illustrated part

2011 LX

Rear Shocks, Spring Link
Figure 17-107



ITEM	PART NUMBER	QTY	LINE	SERIES	BODY	ENGINE	TRANS	TRIM	DESCRIPTION
		1							[ZCZ]
	68032318AA	1							[ZST]
		1							[ZCT]
		1							[ZRU]
		1							[ZDT]
	68032319AA	1							[ZSU]
		1							[ZDU]
	68032324AA	1							[ZSZ]
		1							[ZDZ]
	68032325AA	1							[ZSY]
		1							[ZDY]
	68032326AA	1							[ZSX]
		1							[ZDX]
16	04895372AB	2							ISOLATOR, SpringUpper

MAGNUM/300/CHARGER (LX)

SERIES LINE
H = HIGHLINE C = CHRYSLER
P = PREMIUM F = EAGLE
S = SPORT

BODY
48 = SEDAN TYPE #8

ENGINE
ERB = 3.XL Mid V6 Engine
EZH = 5.7L V8 HEMI MDS
VCT Engine

TRANSMISSION
DGJ = 5-Speed Auto W5A580
Transmission

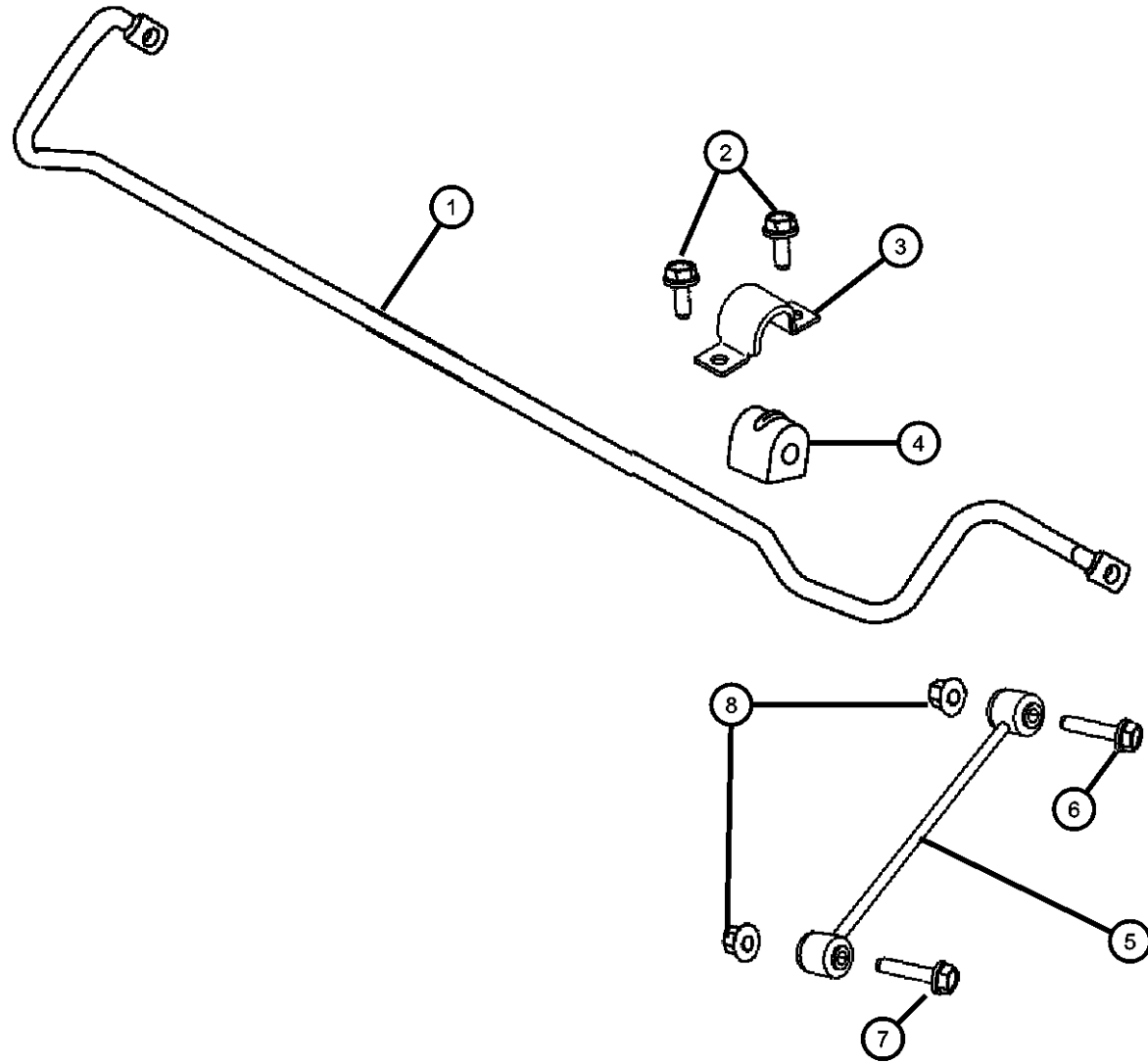
AR = use ase required - = Non illustrated part

2011 LX

**Stabilizer Bar,Rear
Figure 17-205**

ITEM	PART NUMBER	QTY	LINE	SERIES	BODY	ENGINE	TRANS	TRIM	DESCRIPTION
------	-------------	-----	------	--------	------	--------	-------	------	-------------

Note: Sales Codes
 [EEO]=2.5L OR 2.7L V6 GAS
 [EGO]=3.3L,3.5L, & 3.8L 6CY
 [ESO]=ALL 6 L ENGINES
 [EXO]=ALL 3.0/3.1L TURBO DIESELS ENGINES
 [BR3]=ANTI-LOCK 4-WHEEL DISC BRAKES
 [BR5]=ANTI-LOCK 4-WHEEL DISC PERF BRAKES
 [BR8]=4-WHEEL DISC HEAVY DUTY BRA



1									STABILIZER BAR, Rear Suspension
	68046012AA	1							[SDG]
	04782873AB	1							[SDA] Or [SDC]
	05180016AA	1							[SDB] Or [SDE]
2									BOLT, Hex Flange Head, M10X1.50X20.00, Sway Bar to Frame
	06500399	4							[SDC] Or [SDD]
3	04228786	2							BRACKET, Stabilizer Bar
4									ISOLATOR
	05180017AA	2							[SDB] Or [SDE]
	68045178AA	2							[SDG]
	04782893AB	2							[SDA] Or [SDC]
5	04766866AA	2							LINK, Sway Eliminator
6	06102239AA	2							SCREW AND WASHER, Hex Head, Link to Stabilizer Bar
7	06102222AA	2							SCREW AND WASHER, Hex Head, Link to Knuckle
8	06104717AA	2							NUT, Hex Flange Lock, M10x1.50

MAGNUM/300/CHARGER (LX)

SERIES LINE
 H = HIGHLINE C = CHRYSLER
 P = PREMIUM F = EAGLE
 S = SPORT

BODY
 48 = SEDAN TYPE #8

ENGINE
 ERB = 3.XL Mid V6 Engine
 EZH = 5.7L V8 HEMI MDS
 VCT Engine

TRANSMISSION
 DGJ = 5-Speed Auto W5A580
 Transmission

AR = use ase required - = Non illustrated part

2011 LX

Group - 19

Steering

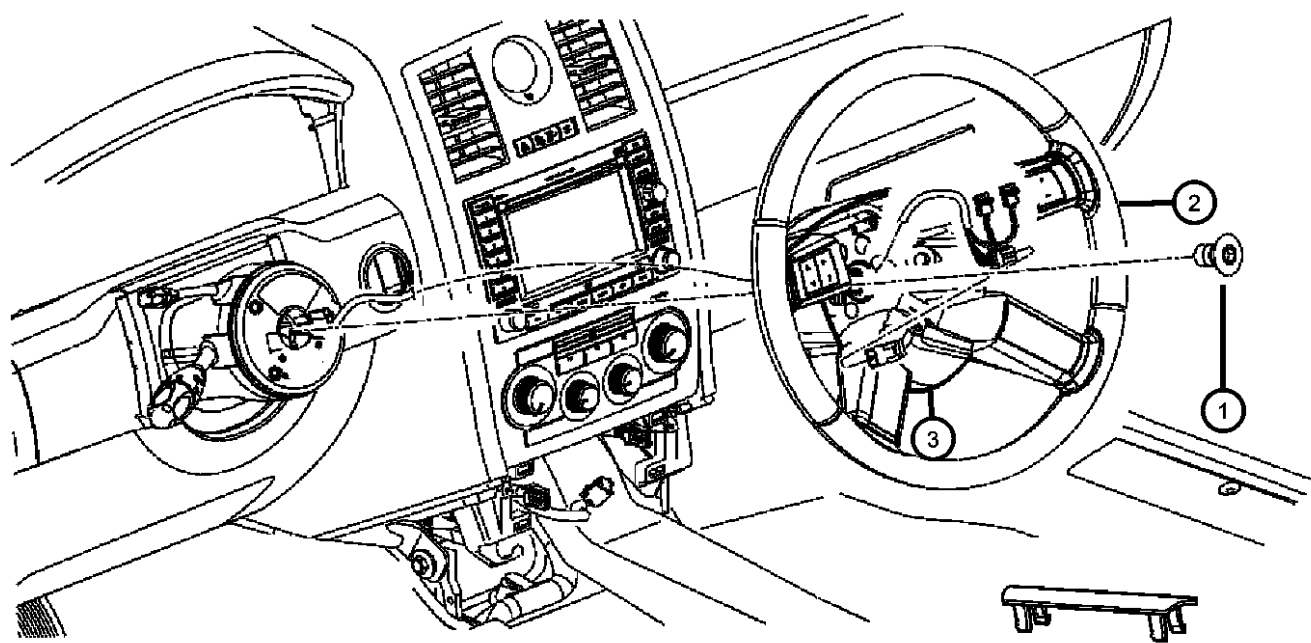
Group - 19 Steering

Illustration Title	Group-Fig. No.
Steering Wheel	
Steering Wheel Assembly	Fig. 19 - 105
Steering Column and Intermediate Shaft	
Steering Column	Fig. 19 - 205
Steering Column	Fig. 19 - 210
Steering Gear	
Gear Rack and Pinion	Fig. 19 - 305
Power Steering Pump and Reservoir	
Power Steering Pump and Reservoir	Fig. 19 - 505
Power Steering Hoses	
Power Steering Hoses	Fig. 19 - 610

019-100 Steering Wheel	019-200 Steering Column and Intermediate Shaft	019-300 Steering Gear	019-500 Power Steering Pump and Reservoir
019-600 Power Steering Hoses			

**Steering Wheel Assembly
Figure 19-105**

ITEM	PART NUMBER	QTY	LINE	SERIES	BODY	ENGINE	TRANS	TRIM	DESCRIPTION
1	04649132AA	1	C, F, Z		48				SCREW, Steering Wheel
2									WHEEL, Steering
	1VT84DX9AA	1	C, F, Z		48				[SCW],[XSR],[NHP],[NHM]
	1VT861X9AA	1	C, F, Z		48				[SCV],[NHM],[RSP]
	1VT811X9AA	1	C, F, Z		48				[SCV] Without [NHP] And/Or [RSP]
	1VT82HL9AA	1	C, F, Z		48				[SCW],[XSN],[NHM]
3	1VT88HL9AA	1	C, F, Z		48				COVER, Steering Wheel Back



MAGNUM/300/CHARGER (LX)

SERIES LINE
H = HIGHLINE C = CHRYSLER
P = PREMIUM F = EAGLE
S = SPORT

BODY
48 = SEDAN TYPE #8

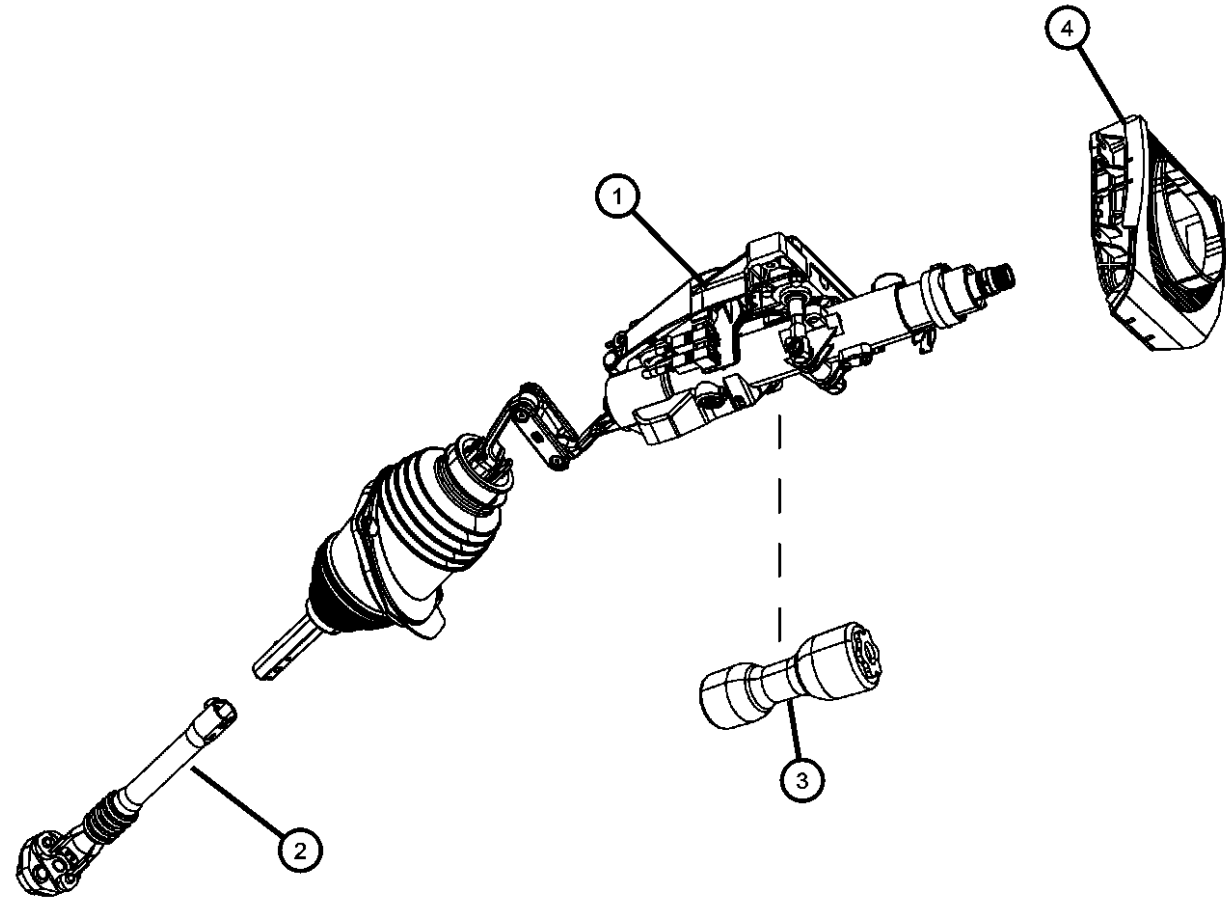
ENGINE
ERB = 3.XL Mid V6 Engine
EZH = 5.7L V8 HEMI MDS
VCT Engine

TRANSMISSION
DGJ = 5-Speed Auto W5A580
Transmission

AR = use ase required - = Non illustrated part

2011 LX

Steering Column
Figure 19-205



ITEM	PART NUMBER	QTY	LINE	SERIES	BODY	ENGINE	TRANS	TRIM	DESCRIPTION
1	05057588AC	1	C		48				COLUMN, Steering
	05057589AC	1	F		48				
2	68083594AA	1	C		48				COUPLING, Steering
	68083595AA	1	F		48				
3		1							TILT DRIVE PACKAGE, Power steering column, Serviced With Column, (NOT SERVICED)
4		1							SHROUD, Steering Column, Serviced With Control Module, (NOT SERVICED)
-5	06507656AA	1	C, F		48				SCREW, Hex Flange Head, M8x1.25x40
-6	06507338AA	1	C, F		48				BOLT, Hex Flange Head Locking, M10x1.50x42.00
-7	06104708AA	2	C, F, Z		48				NUT, Hex, M6
-8	06104406AA	2	C, F, Z		48				SCREW AND WASHER

MAGNUM/300/CHARGER (LX)

SERIES LINE
H = HIGHLINE C = CHRYSLER
P = PREMIUM F = EAGLE
S = SPORT

BODY
48 = SEDAN TYPE #8

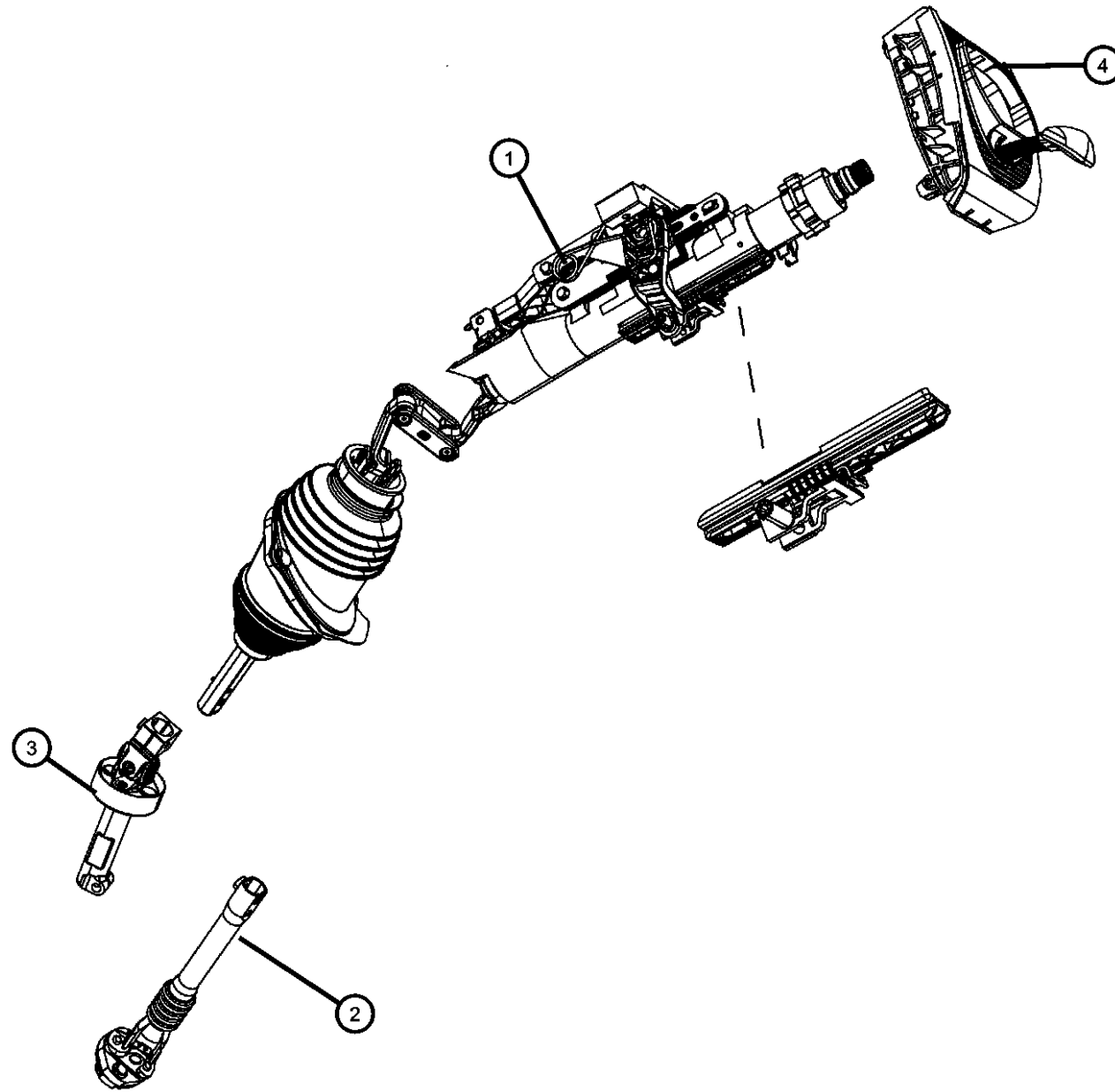
ENGINE
ERB = 3.XL Mid V6 Engine
EZH = 5.7L V8 HEMI MDS
VCT Engine

TRANSMISSION
DGJ = 5-Speed Auto W5A580
Transmission

AR = use ase required - = Non illustrated part

2011 LX

Steering Column
Figure 19-210



ITEM	PART NUMBER	QTY	LINE	SERIES	BODY	ENGINE	TRANS	TRIM	DESCRIPTION
1	05057577AC	1	C		48				COLUMN, Steering [SUD]
	05057578AC	1	F		48				[SUD]
2	68083595AA	1	F		48				COUPLING, Steering
	68083594AA	1	C		48				
3	68083594AA	1	C		48				COUPLING, Steering
	68083595AA	1	F		48				
4		1							SHROUD, Steering Column, Serviced With Control Module, (NOT SERVICED)
-5	06507656AA	1	C, F		48				SCREW, Hex Flange Head, M8x1.25x40
-6	06507338AA	1	C, F		48				BOLT, Hex Flange Head Locking, M10x1.50x42.00, Lower Coupling To Steering Gear
-7	06104708AA	2	C, F, Z		48				NUT, Hex, M6, Steering Column To Dash Seal
-8	06104406AA	2	C, F, Z		48				SCREW AND WASHER, Sterring Column To Instrument Panel

MAGNUM/300/CHARGER (LX)

SERIES LINE
H = HIGHLINE C = CHRYSLER
P = PREMIUM F = EAGLE
S = SPORT

BODY
48 = SEDAN TYPE #8

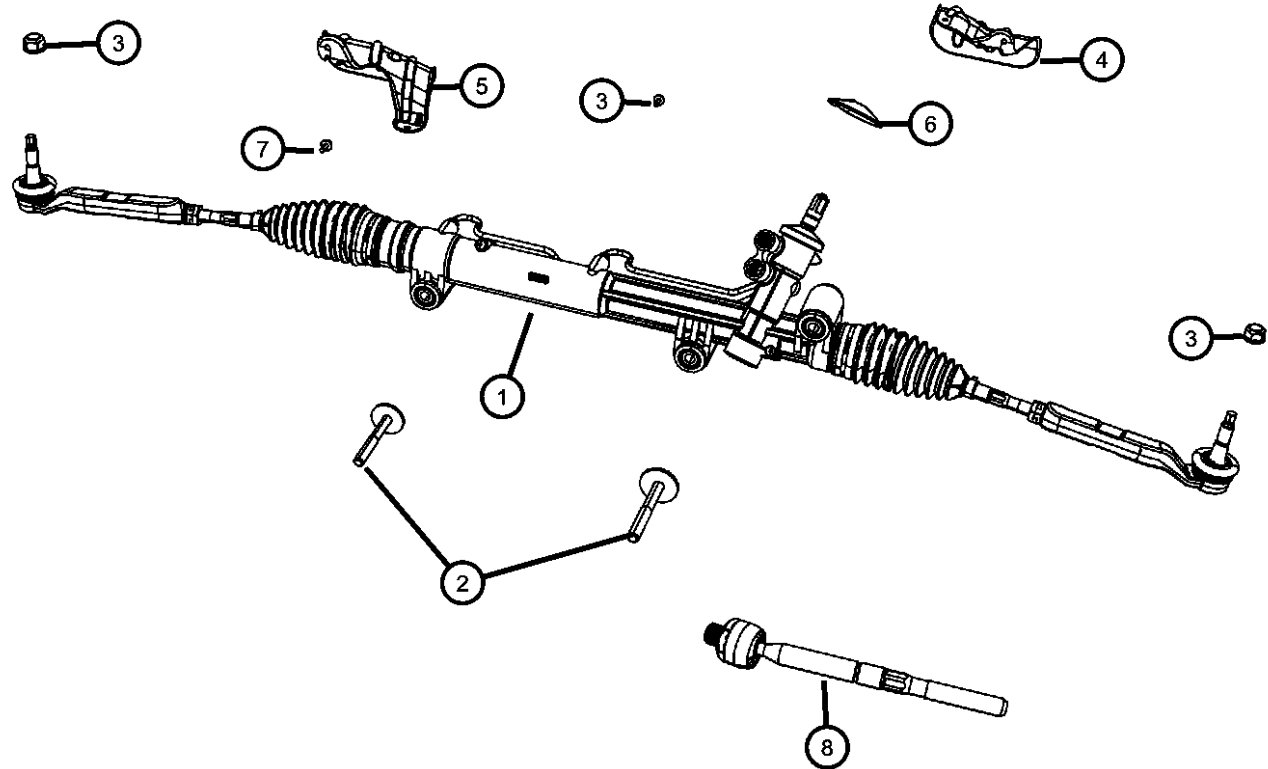
ENGINE
ERB = 3.XL Mid V6 Engine
EZH = 5.7L V8 HEMI MDS
VCT Engine

TRANSMISSION
DGJ = 5-Speed Auto W5A580
Transmission

AR = use ase required - = Non illustrated part

2011 LX

**Gear Rack and Pinion
Figure 19-305**



ITEM	PART NUMBER	QTY	LINE	SERIES	BODY	ENGINE	TRANS	TRIM	DESCRIPTION
1									GEAR, Rack and Pinion
	04584572AD	1	F		48				[SDA]
	04584573AD	1	C		48				[SDB] Or [SDC]
	04584568AD	1	C		48				[SDG]
	04584569AD	1	C		48				[SDE]
	RL584568AD	1	C						[SDG]
	RL584569AC	1	C						[SDE]
	RL584572AD	1	F						[SDA]
	RL584573AD	1	C						[SDB] Or [SDC]
2									BOLT, Hex Flange Head, M12x1.75x100.00
	06102378AA	2	C, Z		48				
	06508195AA	3	F		48				
3	06505623AA	2	C, F		48				NUT, Hex Lock, M14x1.50
4	04782983AB	1	F		48				SHIELD, Heat
5	04782984AB	1	F		48				SHIELD, Heat
6	04895433AA	1	F		48				SHIELD, Heat
7									NUT, Hex Flange Lock, M12x1.75
	06502697	2	C, Z		48				
		1	F		48				
8		1							TIE ROD END, INNER, (NOT SERVICED)

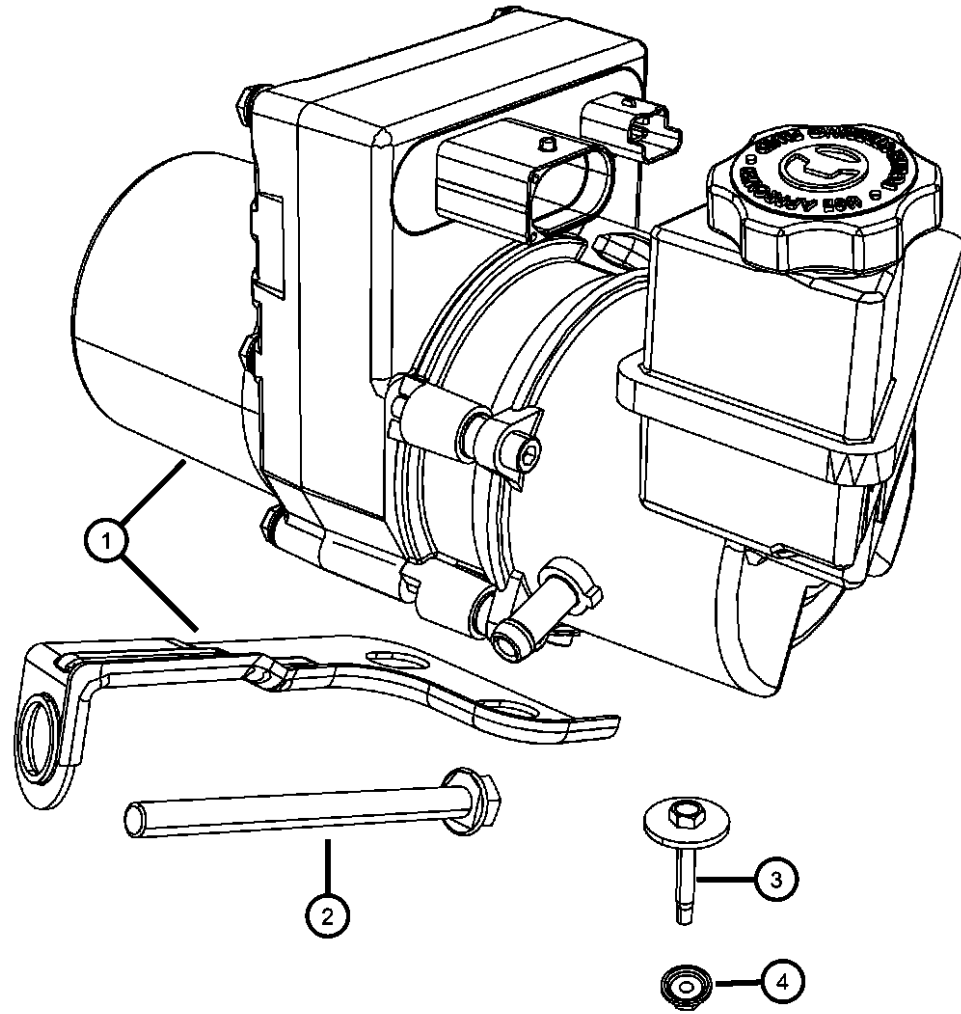
MAGNUM/300/CHARGER (LX)

SERIES	LINE	BODY	ENGINE	TRANSMISSION
H = HIGHLINE	C = CHRYSLER	48 = SEDAN TYPE #8	ERB = 3.XL Mid V6 Engine	DGJ = 5-Speed Auto W5A580
P = PREMIUM	F = EAGLE		EZH = 5.7L V8 HEMI MDS	Transmission
S = SPORT			VCT Engine	

AR = use ase required - = Non illustrated part

Power Steering Pump and Reservoir
Figure 19-505

ITEM	PART NUMBER	QTY	LINE	SERIES	BODY	ENGINE	TRANS	TRIM	DESCRIPTION
1									PUMP, Power Steering
	68059524AD	1	C		48	ERB, EZH			
	68059525AD	1	F		48	ERB, EZH			
2	06104230AA	3	C, F, Z		48	EZH			BOLT, Hex Flange Head, M10X1.50X130.00
3	06506733AA	2	C, F, Z		48	ERB, EZH			SCREW AND WASHER, Hex Head, M6X1.0X40.00
4	06104725AA	1	C, F, Z		48	ERB, EZH			NUT AND WASHER, Hex, M6X1.00
5	05013457AA	AR	C, F, Z		48				FLUID, Automatic Transmission ATF+4, Quart, Standard MS-9602-F



MAGNUM/300/CHARGER (LX)

SERIES LINE
H = HIGHLINE C = CHRYSLER
P = PREMIUM F = EAGLE
S = SPORT

BODY
48 = SEDAN TYPE #8

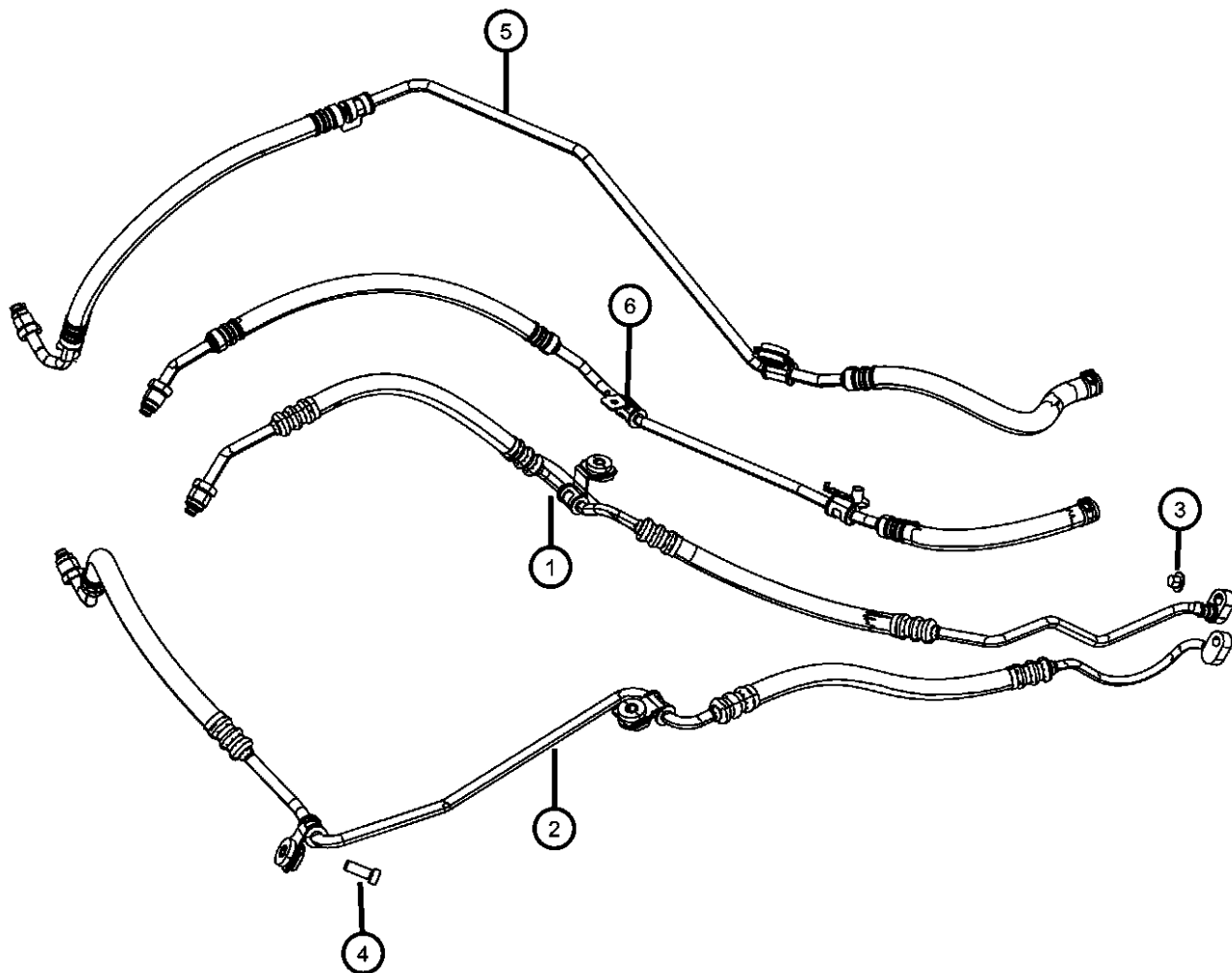
ENGINE
ERB = 3.0L Mid V6 Engine
EZH = 5.7L V8 HEMI MDS VCT Engine

TRANSMISSION
DGJ = 5-Speed Auto W5A580 Transmission

AR = use ase required - = Non illustrated part

**Power Steering Hoses
Figure 19-610**

ITEM	PART NUMBER	QTY	LINE	SERIES	BODY	ENGINE	TRANS	TRIM	DESCRIPTION
1	04584559AC	1	C		48	ERB, EZH			HOSE, Power Steering Pressure
2	04584560AB	1	F		48	ERB, EZH			HOSE, Power Steering Pressure
3	06102141AA	2	F		48	ERB, EZH			SCREW, Hex Head, M6X1.00X25.00
4	06509301AA	1	C, F, Z		48	ERB, EZH			SCREW, Pan Head, M8X1.25X22.00
5	04584564AC	1	F		48	ERB, EZH			HOSE, Power Steering Return
6	04584563AD	1	C		48	ERB, EZH			HOSE, Power Steering Return



MAGNUM/300/CHARGER (LX)

SERIES LINE
H = HIGHLINE C = CHRYSLER
P = PREMIUM F = EAGLE
S = SPORT

BODY
48 = SEDAN TYPE #8

ENGINE
ERB = 3.0L Mid V6 Engine
EZH = 5.7L V8 HEMI MDS
VCT Engine

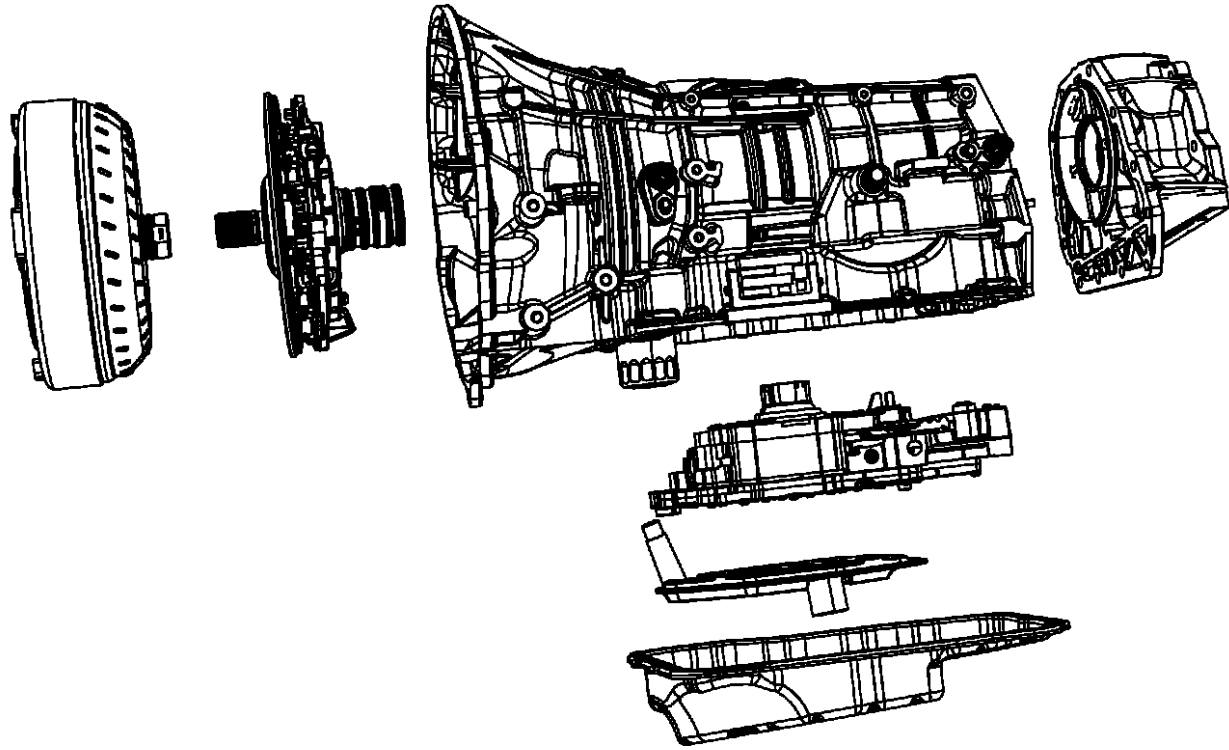
TRANSMISSION
DGJ = 5-Speed Auto W5A580
Transmission

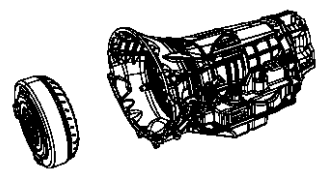
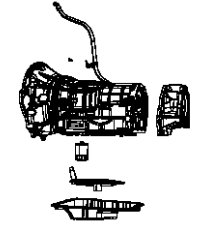
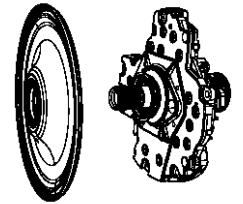

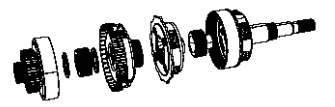
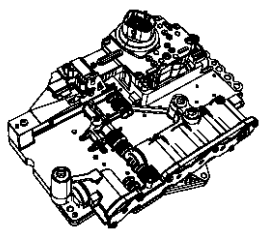
AR = use ase required - = Non illustrated part

2011 LX

Group - 021DGJ

NAG1; W5A580; 5-Speed; Automatic Transmission

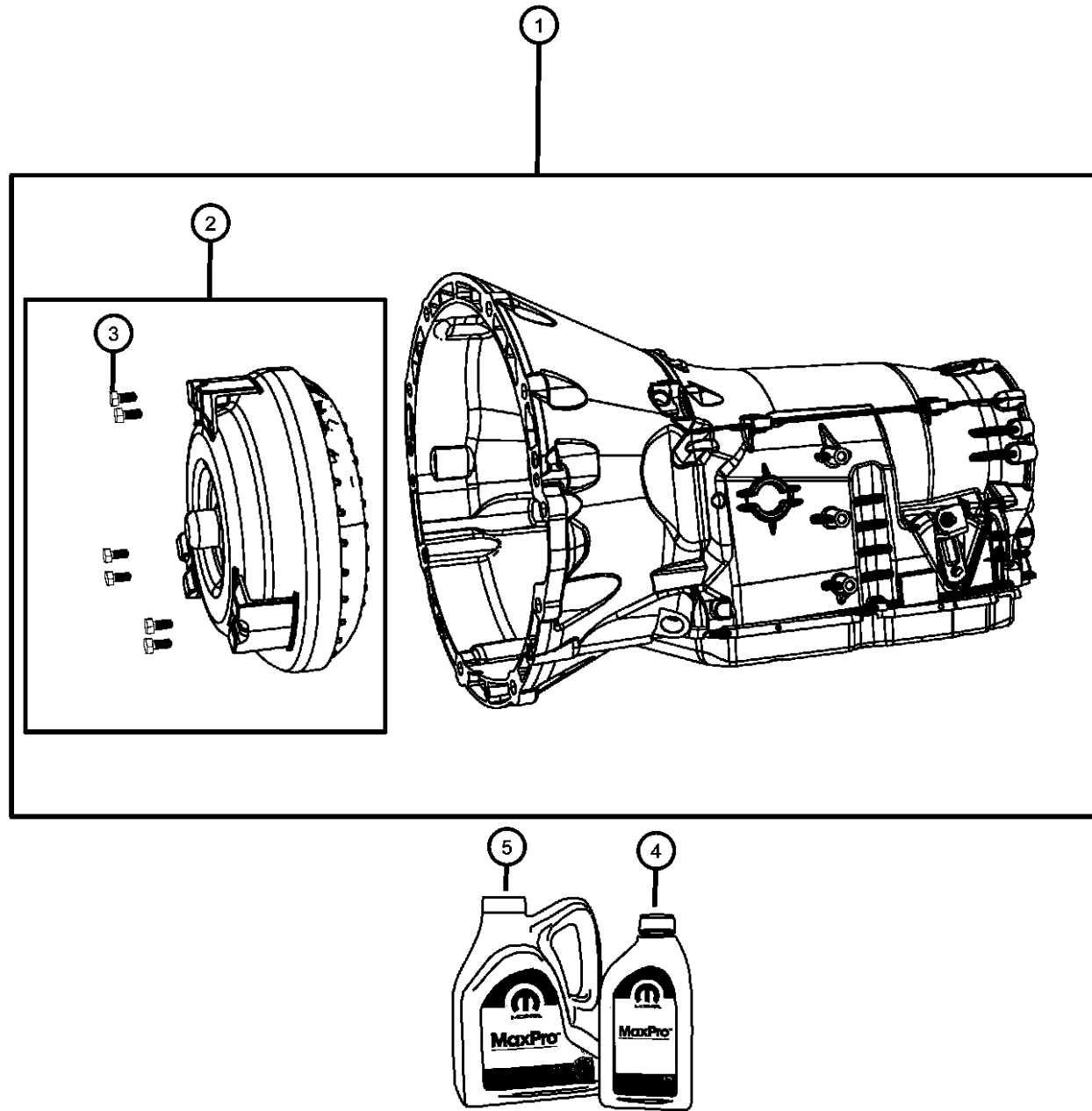


<p>021DGJ-100 Automatic Transmission / Transaxle and Torque Converter</p> 	<p>021DGJ-1100 Gearshift Controls and Related Parts</p>	<p>021DGJ-1200 Mounting and Skid Plate</p>	<p>021DGJ-200 Case, Extension, Oil Pan, and Indicator (Dipstick)</p> 
<p>021DGJ-300 Seal and Shim Packages</p>	<p>021DGJ-400 Oil Pump</p> 	<p>021DGJ-500 Clutches</p> 	<p>021DGJ-600 Gear Train</p> 
<p>021DGJ-800 Valve Body, Accumulator, Solenoid and Parking Sprag</p> 			

Group - 021DGJ NAG1; W5A580; 5-Speed; Automatic Transmission

Illustration Title	Group-Fig. No.
Automatic Transmission / Transaxle and Torque Converter	
Transmission / Transaxle Assembly	Fig. 021DGJ - 105
Torque Converter.....	Fig. 021DGJ - 110
Case, Extension, Oil Pan, and Indicator (Dipstick)	
Case.....	Fig. 021DGJ - 210
Adapter AWD	Fig. 021DGJ - 221
Extension RWD	Fig. 021DGJ - 222
Oil Fill Tube And Related Parts	Fig. 021DGJ - 225
Oil Pan, Cover And Related Parts	Fig. 021DGJ - 230
Filters.....	Fig. 021DGJ - 235
Sensors, Vents And Quick Connectors.....	Fig. 021DGJ - 240
Seal and Shim Packages	
Seal And Shim Packages.....	Fig. 021DGJ - 305
Oil Pump	
Oil Pump and Related Parts.....	Fig. 021DGJ - 420
Clutches	
B1 Brake Clutch.....	Fig. 021DGJ - 526
K1 Clutch Assembly.....	Fig. 021DGJ - 527
K2 Clutch Assembly.....	Fig. 021DGJ - 528
K3 Clutch Assembly.....	Fig. 021DGJ - 529
B3 Clutch Assembly.....	Fig. 021DGJ - 530
B2 Clutch Assembly.....	Fig. 021DGJ - 531
B2 Clutch Assembly.....	Fig. 021DGJ - 532
Gear Train	
Front Planetary Carrier	Fig. 021DGJ - 611
Output Shaft With Center And Rear Planetary Gear Sets	Fig. 021DGJ - 612
Valve Body, Accumulator, Solenoid and Parking Sprag	
Valve Body And Related Parts	Fig. 021DGJ - 825
Parking Sprag And Related Parts.....	Fig. 021DGJ - 860
Gearshift Controls and Related Parts	
Gearshift Controls.....	Fig. 021DGJ - 1105
Gearshift Lever, Cable and Bracket.....	Fig. 021DGJ - 1115
Mounting and Skid Plate	
Mounting Covers And Shields.....	Fig. 021DGJ - 1205
Transmission Support RWD.....	Fig. 021DGJ - 1210
Transmission Support AWD	Fig. 021DGJ - 1211
Mounting Bolts.....	Fig. 021DGJ - 1215

**Transmission / Transaxle Assembly
Figure 021DGJ-105**



ITEM	PART NUMBER	QTY	LINE	SERIES	BODY	ENGINE	TRANS	TRIM	DESCRIPTION
1									TRANSMISSION KIT, With Torque Converter
	RL003110AG	1	C			EZH	DGJ		
	68087446AA	1	F			ERB	DGJ		
	68003114AH	1	F			EZH	DGJ		
	68087447AA	1	C, Z			ERB	DGJ		
2									CONVERTER KIT, Torque
	68087445AA	1	F			ERB	DGJ		
		1	C, Z			ERB	DGJ		
	RL004096AA	1	F			EZH	DGJ		
		1	C			EZH	DGJ		
3									SCREW
	06507095AA	6	C, F, Z			EZH	DGJ		[M8X1.25X18.00]
	06509361AA	6	C, F, Z			ERB	DGJ		[M8X1.25X23.00]
4	05013457AA	AR	C, F, Z						FLUID, Automatic Transmission ATF+4, Quart, Standard MS-9602-F
5	05013458AA	AR	C, F, Z						FLUID, Automatic Transmission ATF+4, Gallon, Standard MS-9602-F

MAGNUM/300/CHARGER (LX)

SERIES LINE
H = HIGHLINE C = CHRYSLER
P = PREMIUM F = EAGLE
S = SPORT

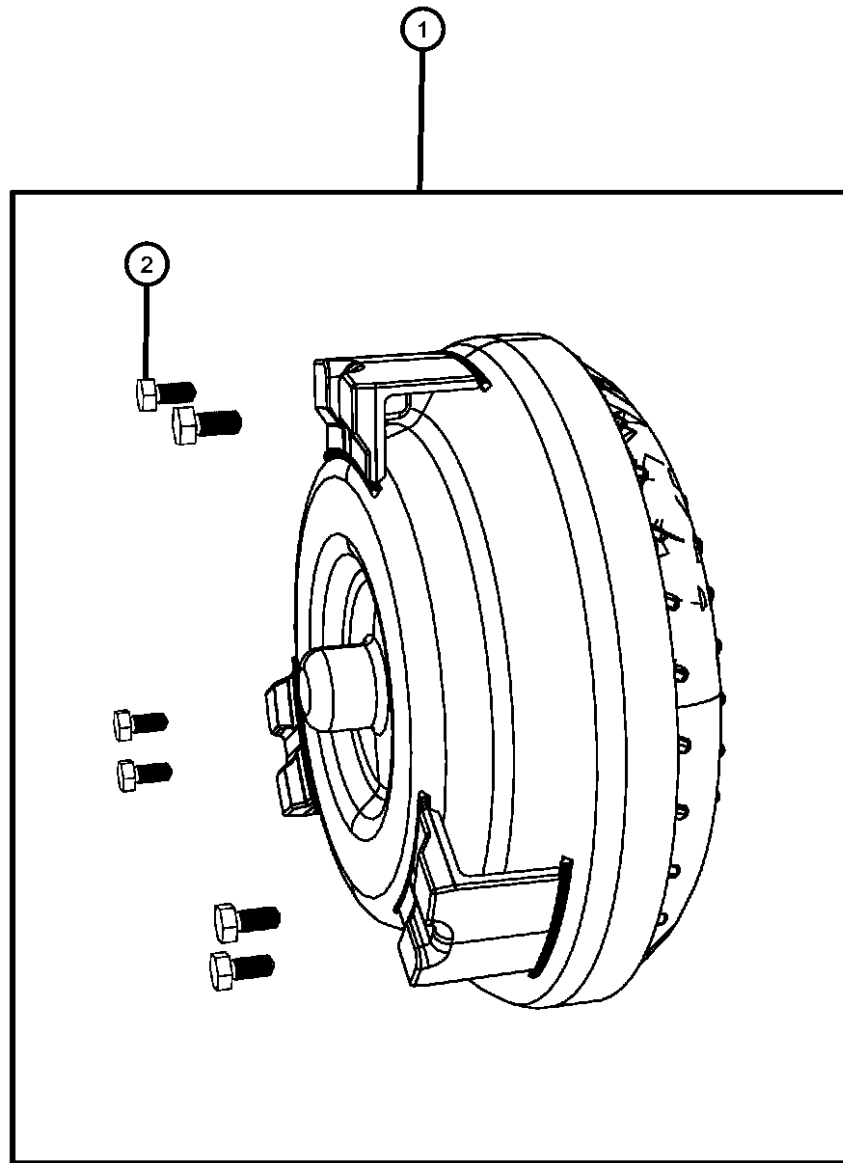
BODY
48 = SEDAN TYPE #8

ENGINE
ERB = 3.XL Mid V6 Engine
EZH = 5.7L V8 HEMI MDS VCT Engine

TRANSMISSION
DGJ = 5-Speed Auto W5A580 Transmission

AR = use ase required - = Non illustrated part

**Torque Converter
Figure 021DGJ-110**



ITEM	PART NUMBER	QTY	LINE	SERIES	BODY	ENGINE	TRANS	TRIM	DESCRIPTION
1									CONVERTER KIT, Torque
	68087445AA	1	F			ERB	DGJ		
	RL004096AA	1	F			EZH	DGJ		
		1	C, Z			ERB	DGJ		
		1	C			EZH	DGJ		
2									SCREW
	06509361AA	6	C, F, Z			ERB	DGJ		[M8X1.25X23.00]
	06507095AA	6	C, F, Z			EZH	DGJ		[M8X1.25X18.00]

MAGNUM/300/CHARGER (LX)

SERIES LINE
H = HIGHLINE C = CHRYSLER
P = PREMIUM F = EAGLE
S = SPORT

BODY
48 = SEDAN TYPE #8

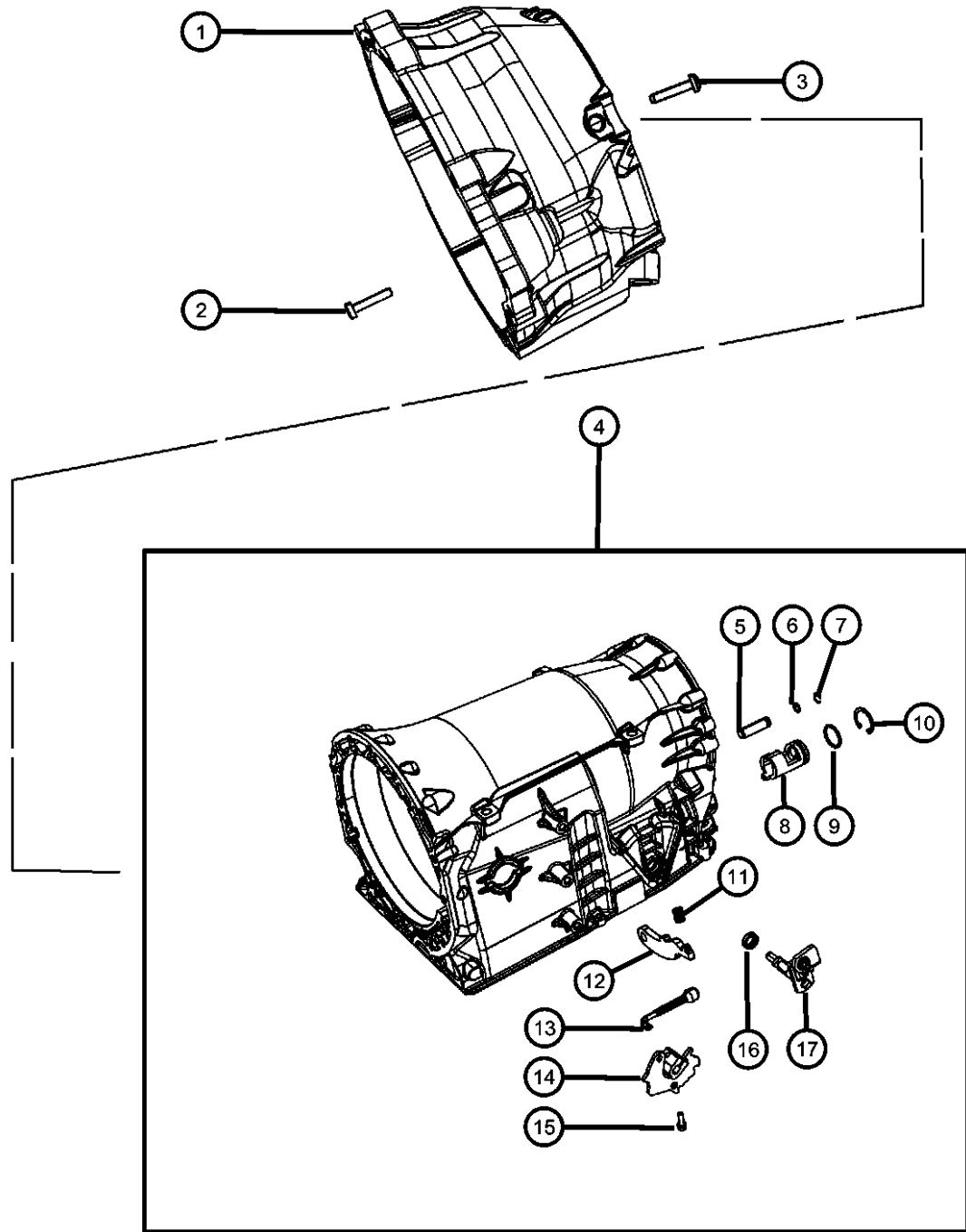
ENGINE
ERB = 3.XL Mid V6 Engine
EZH = 5.7L V8 HEMI MDS
VCT Engine

TRANSMISSION
DGJ = 5-Speed Auto W5A580
Transmission

AR = use ase required - = Non illustrated part

Case
Figure 021DGJ-210

ITEM	PART NUMBER	QTY	LINE	SERIES	BODY	ENGINE	TRANS	TRIM	DESCRIPTION
1	52107911AA	1	C			EZH	DGJ		HOUSING, Torque Converter
	52108683AA	1	F			ERB	DGJ		
		1	C, Z			ERB	DGJ		
	52108422AA	1	F			EZH	DGJ		
2									BOLT, Socket Head, M8x40
	52108206AA	15	C			EZH	DGJ		
		15	F			ERB	DGJ		
		15	C, Z			ERB	DGJ		
3									BOLT, Torx Head, M8x1.25x40, Case to Bell Housing
	06104158AA	2	F			ERB	DGJ		
		2	F			EZH	DGJ		
		1	C, Z			ERB	DGJ		
4									CASE, Transmission
		2	C			EZH	DGJ		
	52108099AB	1	C			EZH	DGJ		
		1	C, Z			ERB	DGJ		
5									SHAFT, Parking Pawl
		1	F			EZH	DGJ		
		1	F			ERB	DGJ		
	52108155AA	1	C			EZH	DGJ		
6									O RING
		1	F			ERB	DGJ		
		1	C, Z			ERB	DGJ		
	52108156AB	1	C			EZH	DGJ		
7									SNAP RING
		1	F			ERB	DGJ		
		1	C, Z			ERB	DGJ		
	52107975AA	1	C			EZH	DGJ		



MAGNUM/300/CHARGER (LX)

SERIES LINE
H = HIGHLINE C = CHRYSLER
P = PREMIUM F = EAGLE
S = SPORT

BODY
48 = SEDAN TYPE #8

ENGINE
ERB = 3.XL Mid V6 Engine
EZH = 5.7L V8 HEMI MDS VCT Engine

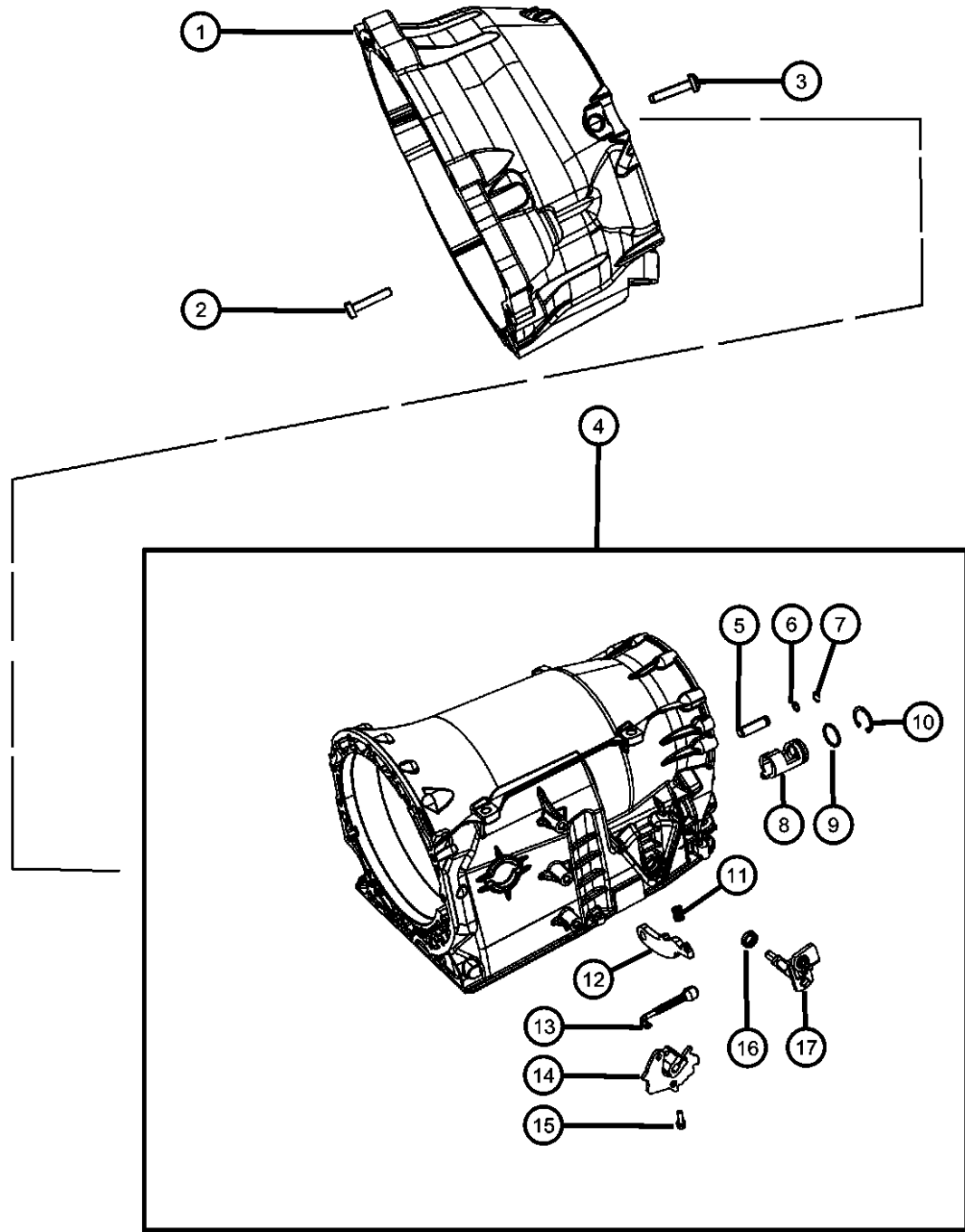
TRANSMISSION
DGJ = 5-Speed Auto W5A580 Transmission

AR = use ase required - = Non illustrated part

2011 LX

Case
Figure 021DGJ-210

ITEM	PART NUMBER	QTY	LINE	SERIES	BODY	ENGINE	TRANS	TRIM	DESCRIPTION
8	52108176AA	1	C			EZH	DGJ		GUIDE
		1	F			ERB	DGJ		
		1	C, Z			ERB	DGJ		
		1	F			EZH	DGJ		
9	52108177AA	1	C			EZH	DGJ		O RING
		1	F			ERB	DGJ		
		1	C, Z			ERB	DGJ		
		1	F			EZH	DGJ		
10	52107976AA	1	F			ERB	DGJ		SNAP RING
		1	C, Z			ERB	DGJ		
		1	F			EZH	DGJ		
		1	C			EZH	DGJ		
11	52108157AA	1	C			EZH	DGJ		SPRING
		1	F			ERB	DGJ		
		1	C, Z			ERB	DGJ		
		1	F			EZH	DGJ		
12	52108154AA	1	C			EZH	DGJ		PAWL, Parking Sprag
		1	F			ERB	DGJ		
		1	C, Z			ERB	DGJ		
		1	F			EZH	DGJ		
13	68052714AA	1	C			EZH	DGJ		LINKAGE, Transmission
		1	F			ERB	DGJ		
		1	C, Z			ERB	DGJ		
		1	F			EZH	DGJ		
14	52108349AB	1	C			EZH	DGJ		DETENT, Gearshift
		1	F			ERB	DGJ		
		1	C, Z			ERB	DGJ		
		1	F			EZH	DGJ		



MAGNUM/300/CHARGER (LX)

SERIES LINE
H = HIGHLINE C = CHRYSLER
P = PREMIUM F = EAGLE
S = SPORT

BODY
48 = SEDAN TYPE #8

ENGINE
ERB = 3.XL Mid V6 Engine
EZH = 5.7L V8 HEMI MDS
VCT Engine

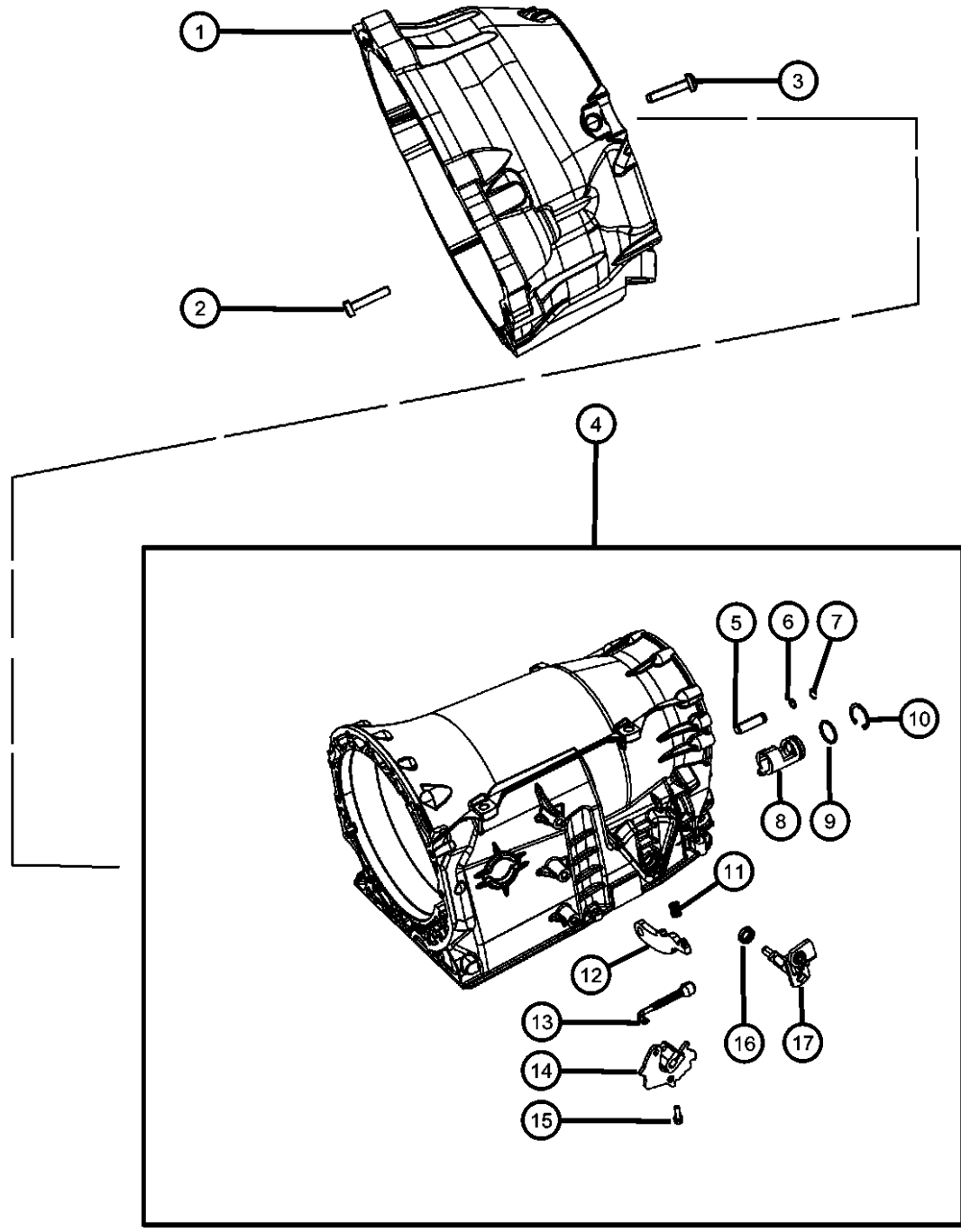
TRANSMISSION
DGJ = 5-Speed Auto W5A580
Transmission

AR = use ase required - = Non illustrated part

2011 LX

Case
Figure 021DGJ-210

ITEM	PART NUMBER	QTY	LINE	SERIES	BODY	ENGINE	TRANS	TRIM	DESCRIPTION
15	52108178AA	1	C			EZH	DGJ		BOLT, Torx Head, M6x20
		1	F			ERB	DGJ		
		1	C, Z			ERB	DGJ		
		1	F			EZH	DGJ		
16	05134933AA	1	C			EZH	DGJ		SEAL, Transmission
		1	F			ERB	DGJ		
		1	C, Z			ERB	DGJ		
		1	F			EZH	DGJ		
17	52108716AA	1	C			EZH	DGJ		SHAFT, Shift Lever
		1	F			ERB	DGJ		
		1	C, Z			ERB	DGJ		
		1	F			EZH	DGJ		



MAGNUM/300/CHARGER (LX)

SERIES LINE
H = HIGHLINE C = CHRYSLER
P = PREMIUM F = EAGLE
S = SPORT

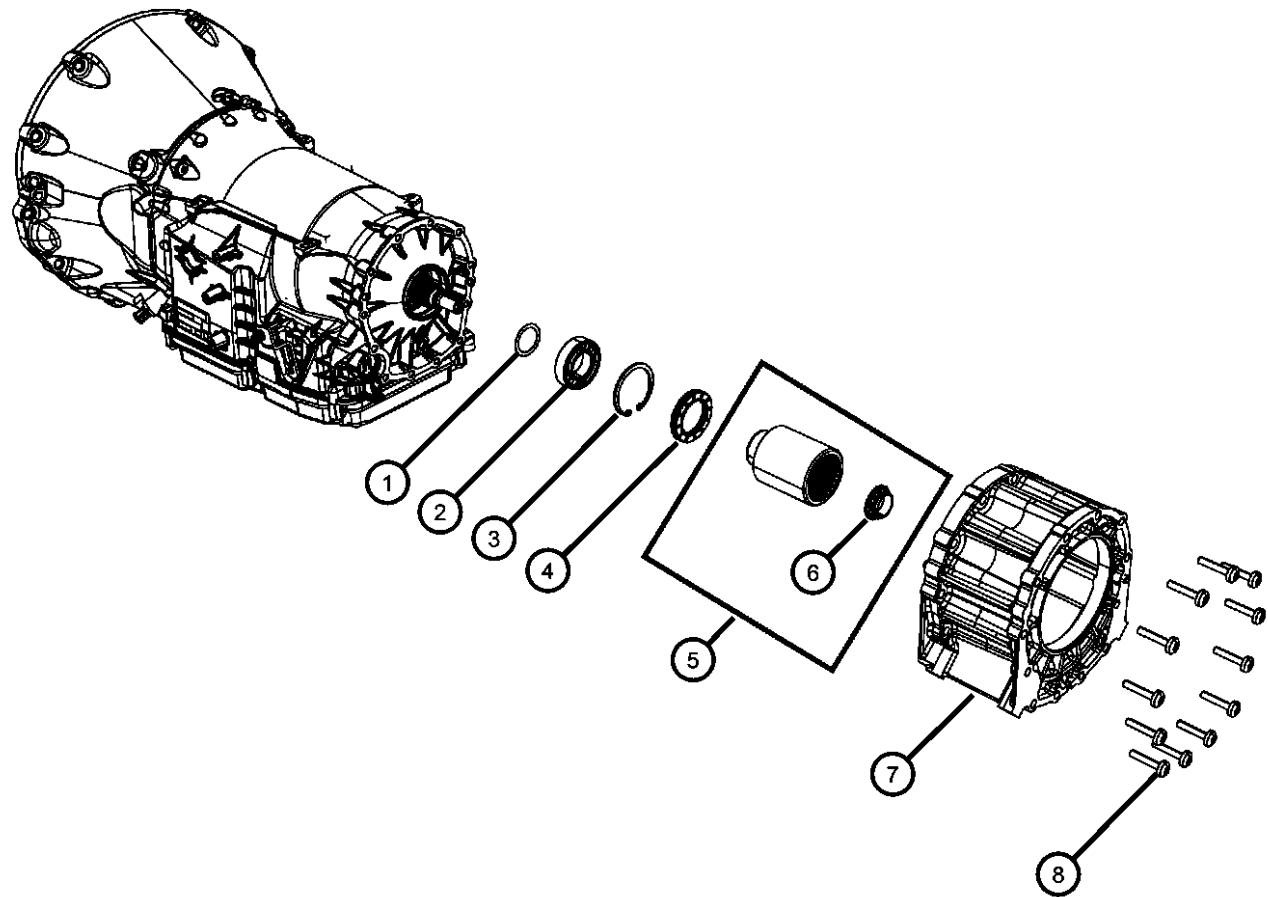
BODY
48 = SEDAN TYPE #8

ENGINE
ERB = 3.XL Mid V6 Engine
EZH = 5.7L V8 HEMI MDS
VCT Engine

TRANSMISSION
DGJ = 5-Speed Auto W5A580
Transmission

AR = use ase required - = Non illustrated part

**Adapter AWD
Figure 021DGJ-221**



ITEM	PART NUMBER	QTY	LINE	SERIES	BODY	ENGINE	TRANS	TRIM	DESCRIPTION
1	68001917AA	AR	F			ERB	DGJ		SHIM PACKAGE, Park & output bearing
		AR	F			EZH	DGJ		
2	52108207AA	1	F			EZH	DGJ		BEARING, Output Shaft
		1	F			ERB	DGJ		
3	68008210AA	AR	F			ERB	DGJ		SNAP RING PACKAGE, Transmission
		AR	F			EZH	DGJ		
4	52108428AB	1	F			EZH	DGJ		SEAL, Output Shaft
		1	F			ERB	DGJ		
5	05143239AB	1	F			ERB	DGJ		FLANGE PACKAGE
	68000503AA	1	F			EZH	DGJ		
6	52108234AA	1	F			EZH	DGJ		NUT, Flange to Output Shaft, M26x1.5
		1	F			ERB	DGJ		
7	52108493AA	1	F			ERB	DGJ		ADAPTER, Transfer Case
8	06104157AB	12	F			ERB	DGJ		BOLT, Torx Head, M8x1.25x35.00

MAGNUM/300/CHARGER (LX)

SERIES LINE
H = HIGHLINE C = CHRYSLER
P = PREMIUM F = EAGLE
S = SPORT

BODY
48 = SEDAN TYPE #8

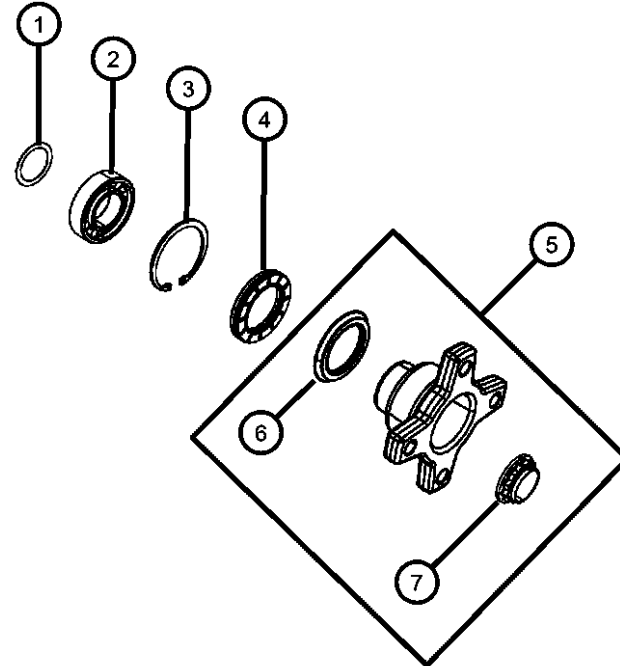
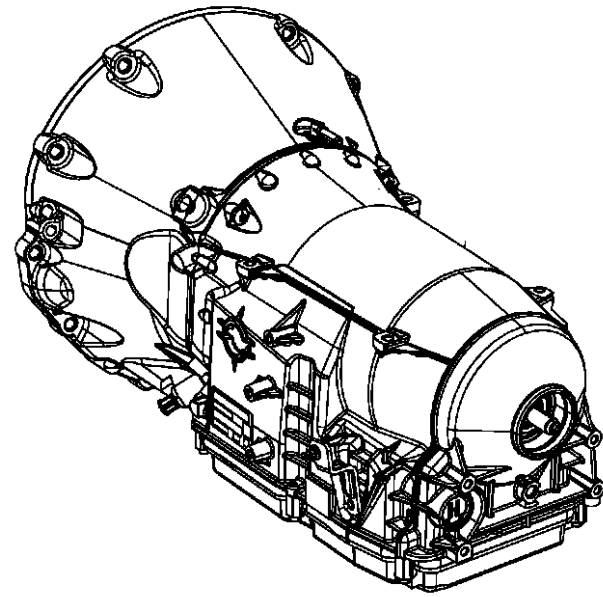
ENGINE
ERB = 3.XL Mid V6 Engine
EZH = 5.7L V8 HEMI MDS VCT Engine

TRANSMISSION
DGJ = 5-Speed Auto W5A580 Transmission

AR = use ase required - = Non illustrated part

2011 LX

Extension RWD
Figure 021DGJ-222



ITEM	PART NUMBER	QTY	LINE	SERIES	BODY	ENGINE	TRANS	TRIM	DESCRIPTION
1									SHIM PACKAGE, Park & output bearing
	68001917AA	1	C, Z			ERB	DGJ		
		1	C			EZH	DGJ		
2									BEARING, Output Shaft
	52108207AA	1	C			EZH	DGJ		
		1	C, Z			ERB	DGJ		
3									SNAP RING PACKAGE, Transmission
	68008210AA	1	C, Z			ERB	DGJ		
		1	C			EZH	DGJ		
4									SEAL, Output Shaft
	52108428AB	1	C			EZH	DGJ		
		1	C, Z			ERB	DGJ		
5									FLANGE PACKAGE, Drive Shaft
	05135158AC	1	C			EZH	DGJ		
	05175566AA	1	C, Z			ERB	DGJ		
6									SLINGER, Output Shaft Seal
	52108626AA	1	C			EZH	DGJ		
		1	C, Z			ERB	DGJ		
7									NUT, Flange to Output Shaft, M26x1.5
	52108234AA	1	C			EZH	DGJ		
		1	C, Z			ERB	DGJ		

MAGNUM/300/CHARGER (LX)

SERIES LINE
H = HIGHLINE C = CHRYSLER
P = PREMIUM F = EAGLE
S = SPORT

BODY
48 = SEDAN TYPE #8

ENGINE
ERB = 3.XL Mid V6 Engine
EZH = 5.7L V8 HEMI MDS VCT Engine

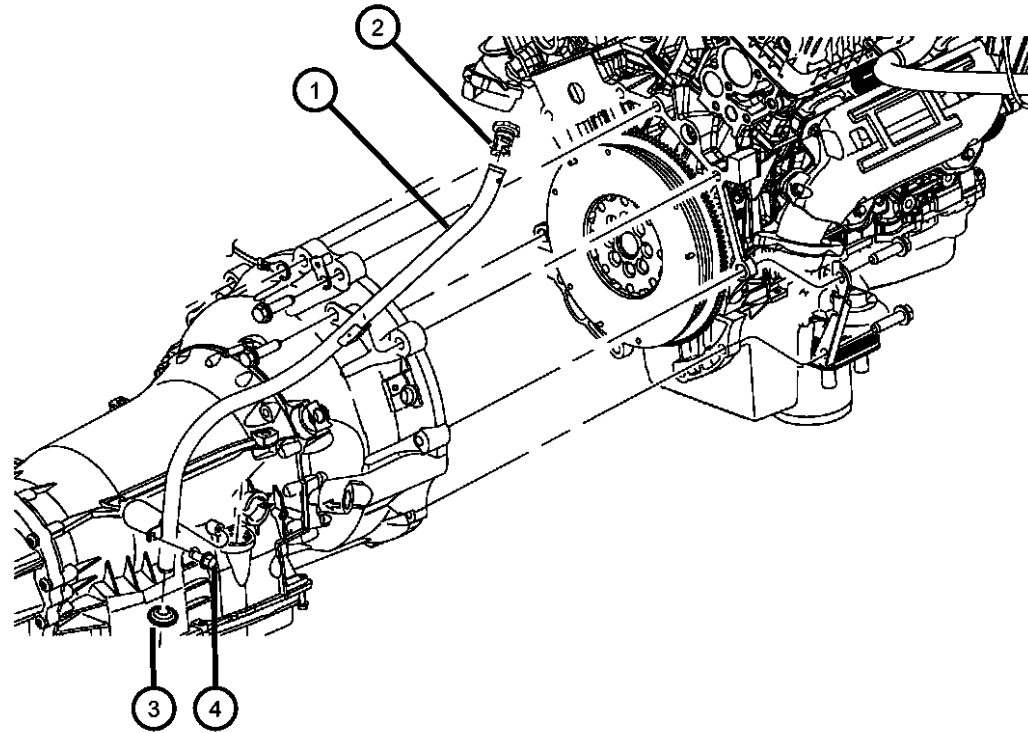
TRANSMISSION
DGJ = 5-Speed Auto W5A580 Transmission

AR = use ase required - = Non illustrated part

2011 LX

**Oil Fill Tube And Related Parts
Figure 021DGJ-225**

ITEM	PART NUMBER	QTY	LINE	SERIES	BODY	ENGINE	TRANS	TRIM	DESCRIPTION
1									TUBE, Transmission Oil Filler, Includes Item #2
	04591880AF	1	C, F, Z			EZH	DGJ		
	04627311AA	1	C, F, Z			ERB	DGJ		
2									CAP, Oil Filler
	04591959AA	1	C, F, Z			ERB	DGJ		
		1	C, F, Z			EZH	DGJ		
3									GROMMET
	04810021AB	1	C			EZH	DGJ		
		1	F			EZH	DGJ		
		1	C, Z			ERB	DGJ		
		1	F			ERB	DGJ		
4	06101221	1	C, F, Z			EZH, ERB			SCREW AND WASHER, Hex Head, M6x1x12



MAGNUM/300/CHARGER (LX)

SERIES LINE
H = HIGHLINE C = CHRYSLER
P = PREMIUM F = EAGLE
S = SPORT

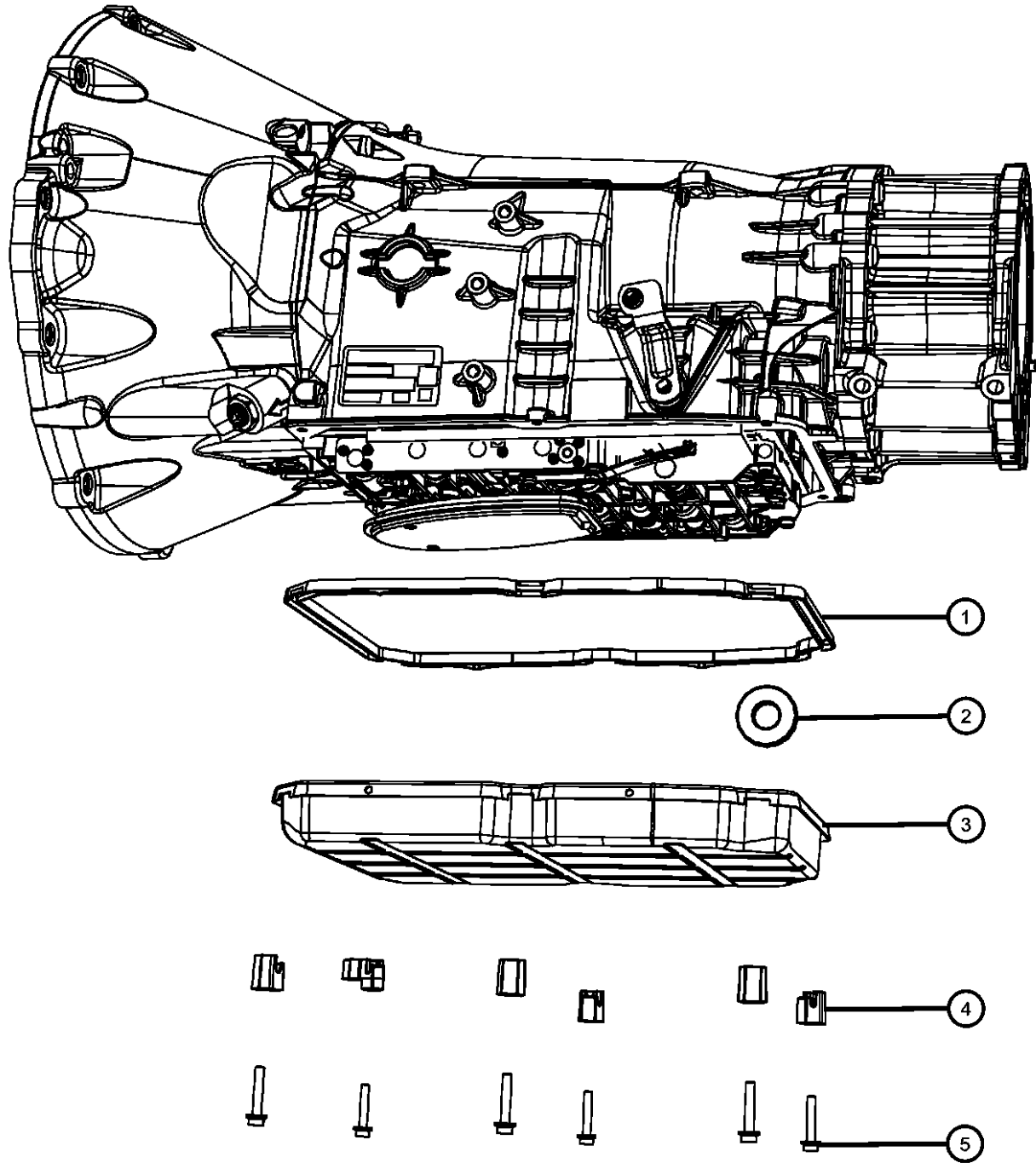
BODY
48 = SEDAN TYPE #8

ENGINE
ERB = 3.XL Mid V6 Engine
EZH = 5.7L V8 HEMI MDS
VCT Engine

TRANSMISSION
DGJ = 5-Speed Auto W5A580
Transmission

AR = use ase required - = Non illustrated part

**Oil Pan, Cover And Related Parts
Figure 021DGJ-230**



ITEM	PART NUMBER	QTY	LINE	SERIES	BODY	ENGINE	TRANS	TRIM	DESCRIPTION
1	52108332AA	1	F			ERB	DGJ		GASKET, Oil Pan
		1	C			EZH	DGJ		
		1	F			EZH	DGJ		
		1	C, Z			ERB	DGJ		
2	03681601	1	C, Z			ERB	DGJ		MAGNET
		1	F			ERB	DGJ		
		1	C			EZH	DGJ		
		1	F			EZH	DGJ		
3	52108327AA	1	C			EZH	DGJ		PAN, Transmission Oil
		1	F			EZH	DGJ		
		1	C, Z			ERB	DGJ		
		1	F			ERB	DGJ		
4	52108334AA	6	C			EZH	DGJ		CLAMP, Oil Pan
		6	F			EZH	DGJ		
		6	C, Z			ERB	DGJ		
		6	F			ERB	DGJ		
5	52108270AA	6	C, Z			ERB	DGJ		BOLT, Torx Head, M6x32
		6	F			ERB	DGJ		
		6	C			EZH	DGJ		
		6	F			EZH	DGJ		

MAGNUM/300/CHARGER (LX)

SERIES LINE
H = HIGHLINE C = CHRYSLER
P = PREMIUM F = EAGLE
S = SPORT

BODY
48 = SEDAN TYPE #8

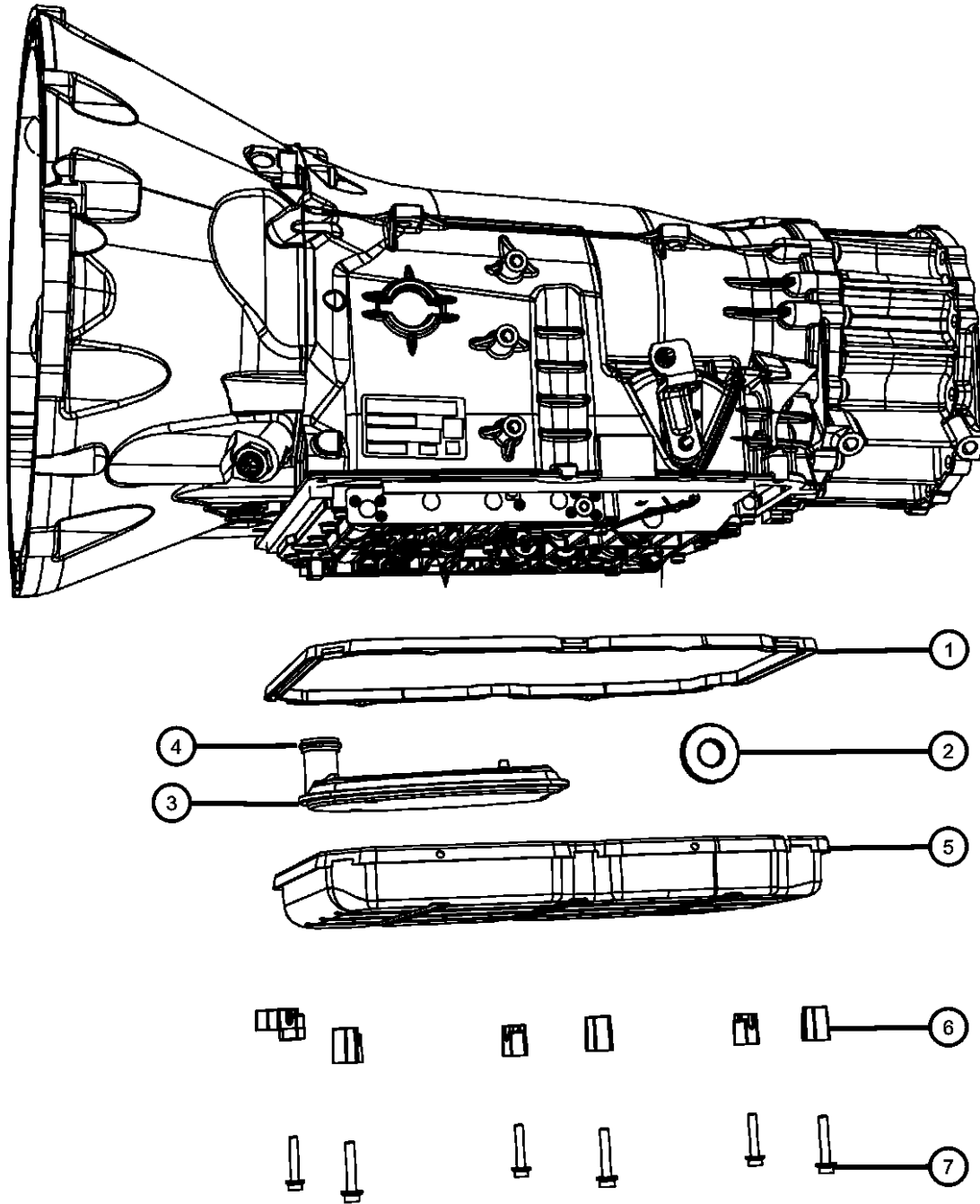
ENGINE
ERB = 3.XL Mid V6 Engine
EZH = 5.7L V8 HEMI MDS
VCT Engine

TRANSMISSION
DGJ = 5-Speed Auto W5A580
Transmission

AR = use ase required - = Non illustrated part

2011 LX

Filters
Figure 021DGJ-235



ITEM	PART NUMBER	QTY	LINE	SERIES	BODY	ENGINE	TRANS	TRIM	DESCRIPTION
1	52108332AA	1	C			EZH	DGJ		GASKET, Oil Pan
		1	F			EZH	DGJ		
		1	C, Z			ERB	DGJ		
		1	F			ERB	DGJ		
2	03681601	1	C			EZH	DGJ		MAGNET
		1	F			EZH	DGJ		
		1	C, Z			ERB	DGJ		
		1	F			ERB	DGJ		
3	52108325AA	1	F			ERB	DGJ		FILTER, Transmission Oil
		1	C			EZH	DGJ		
		1	F			EZH	DGJ		
		1	C, Z			ERB	DGJ		
4		1						O RING, (NOT SERVICED)	
5	52108327AA	1	C			EZH	DGJ		PAN, Transmission Oil
		1	F			EZH	DGJ		
		1	C, Z			ERB	DGJ		
		1	F			ERB	DGJ		
6	52108334AA	6	C			EZH	DGJ		CLAMP, Oil Pan
		6	F			EZH	DGJ		
		6	C, Z			ERB	DGJ		
		6	F			ERB	DGJ		
7	52108270AA	6	C			EZH	DGJ		BOLT, Torx Head, M6x32
		6	F			EZH	DGJ		
		6	C, Z			ERB	DGJ		
		6	F			ERB	DGJ		

MAGNUM/300/CHARGER (LX)

SERIES LINE
H = HIGHLINE C = CHRYSLER
P = PREMIUM F = EAGLE
S = SPORT

BODY
48 = SEDAN TYPE #8

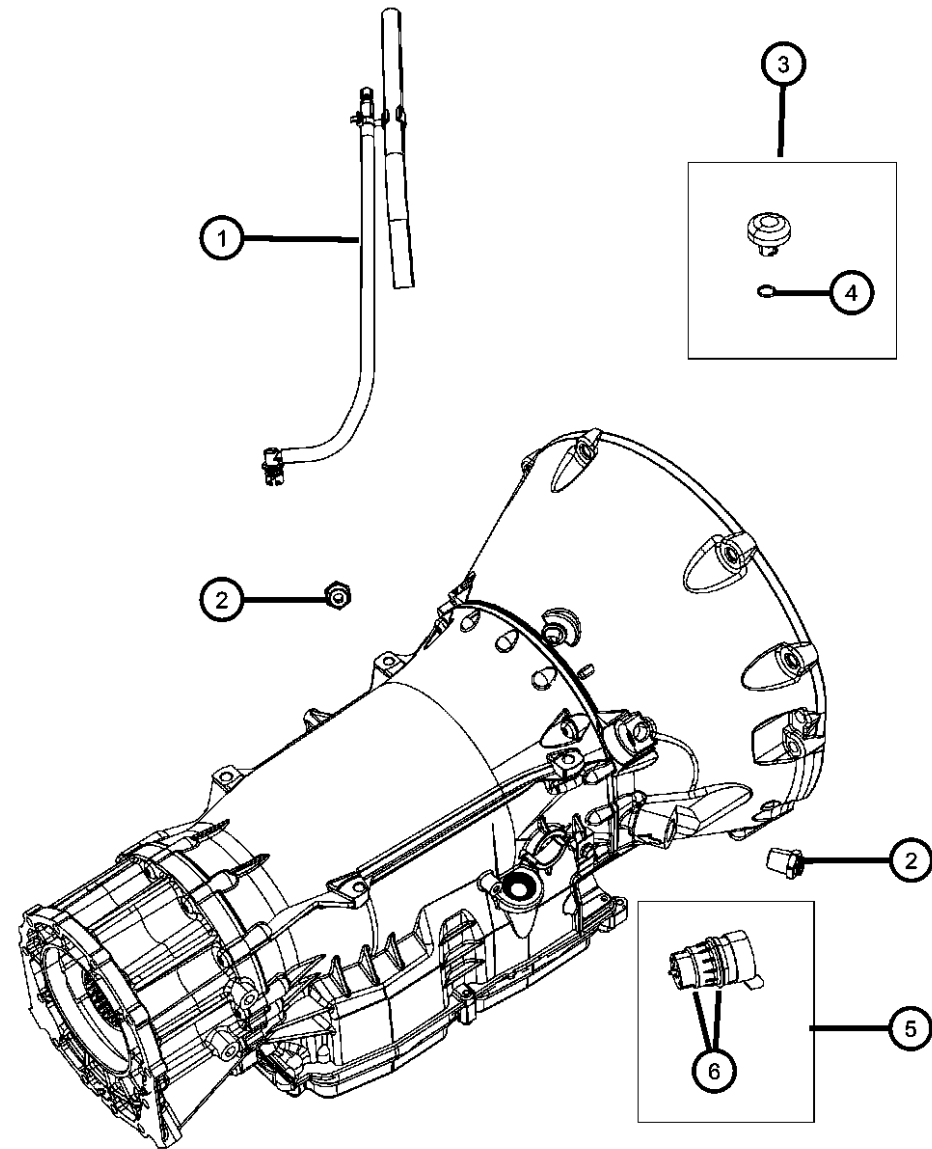
ENGINE
ERB = 3.XL Mid V6 Engine
EZH = 5.7L V8 HEMI MDS
VCT Engine

TRANSMISSION
DGJ = 5-Speed Auto W5A580
Transmission

AR = use ase required - = Non illustrated part

2011 LX

Sensors, Vents And Quick Connectors
Figure 021DGJ-240



ITEM	PART NUMBER	QTY	LINE	SERIES	BODY	ENGINE	TRANS	TRIM	DESCRIPTION
1	04593881AB	1	C, F, Z			ERB	DGJ		HOSE, Transmission Vent
		1	C, F, Z			EZH	DGJ		
2	52119547AA	2	C			EZH	DGJ		FITTING, Quick Connect
		2	F			EZH	DGJ		
		2	C, Z			ERB	DGJ		
		2	F			ERB	DGJ		
3	52108397AA	1	C			EZH	DGJ		BREATHER, Transmission
		1	C, Z			ERB	DGJ		
4	52108399AA	1	C, Z			ERB	DGJ		O RING
		1	C			EZH	DGJ		
5	68021352AA	1	F			ERB	DGJ		PLUG, Adapter
		1	F			EZH	DGJ		
6		1							O RING, Adapter Plug, (NOT SERVICED)

MAGNUM/300/CHARGER (LX)

SERIES LINE
H = HIGHLINE C = CHRYSLER
P = PREMIUM F = EAGLE
S = SPORT

BODY
48 = SEDAN TYPE #8

ENGINE
ERB = 3.XL Mid V6 Engine
EZH = 5.7L V8 HEMI MDS
VCT Engine

TRANSMISSION
DGJ = 5-Speed Auto W5A580
Transmission

AR = use ase required - = Non illustrated part

2011 LX

**Seal And Shim Packages
Figure 021DGJ-305**

ITEM	PART NUMBER	QTY	LINE	SERIES	BODY	ENGINE	TRANS	TRIM	DESCRIPTION
------	-------------	-----	------	--------	------	--------	-------	------	-------------

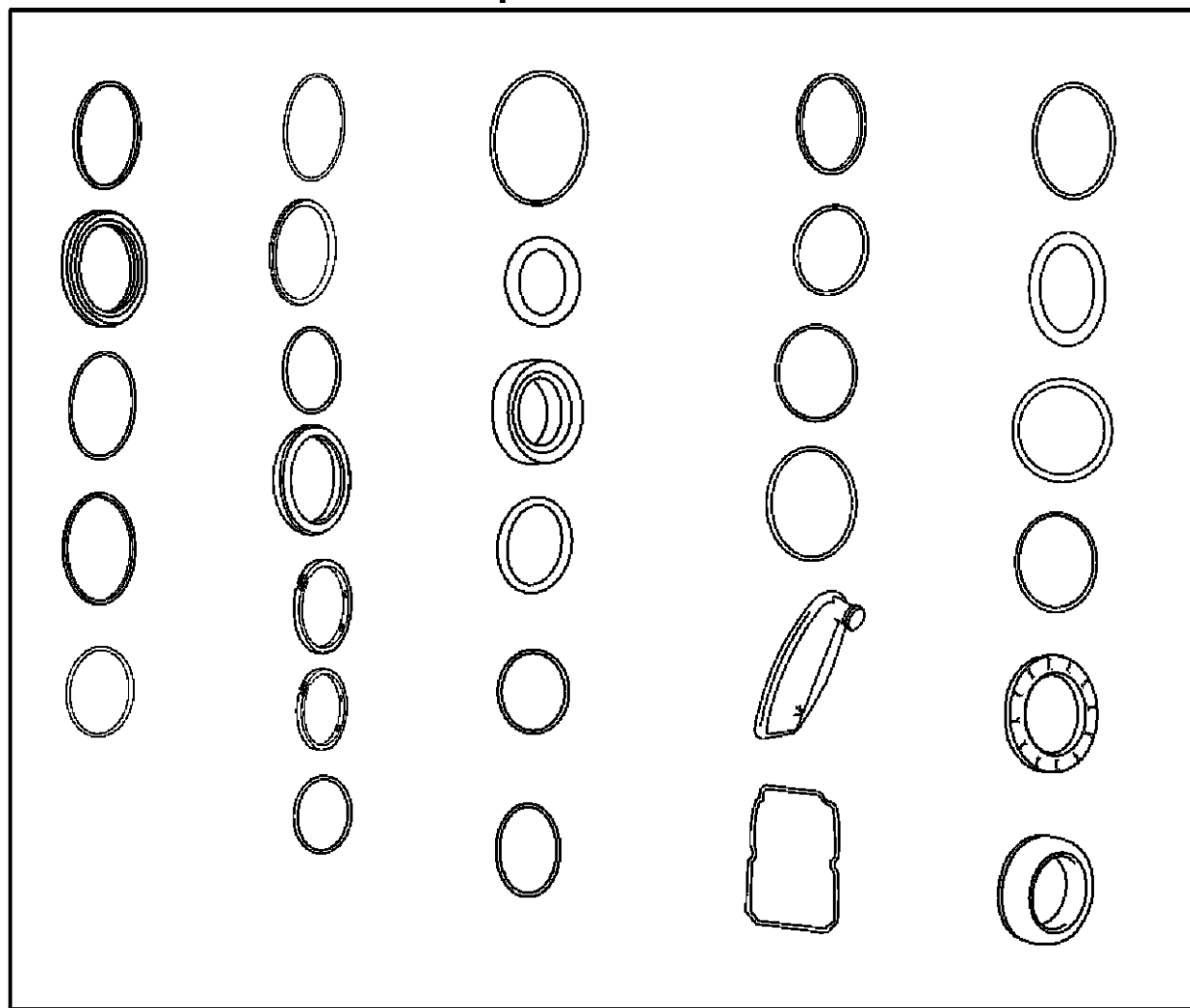
NOTE: PARTS ILLUSTRATED ARE NOT IN SCALE OR IN CORRECT SIZE. THIS IS A GASKET AND SEAL PACKAGE. IT DOES NOT INCLUDE

1

SEAL AND GASKET PACKAGE,
Transmission, See Note:

05139580AK	1	C				EZH	DGJ		
	1	F				EZH	DGJ		
	1	F				ERB	DGJ		
	1	C, Z				ERB	DGJ		

①



MAGNUM/300/CHARGER (LX)

SERIES LINE
H = HIGHLINE C = CHRYSLER
P = PREMIUM F = EAGLE
S = SPORT

BODY
48 = SEDAN TYPE #8

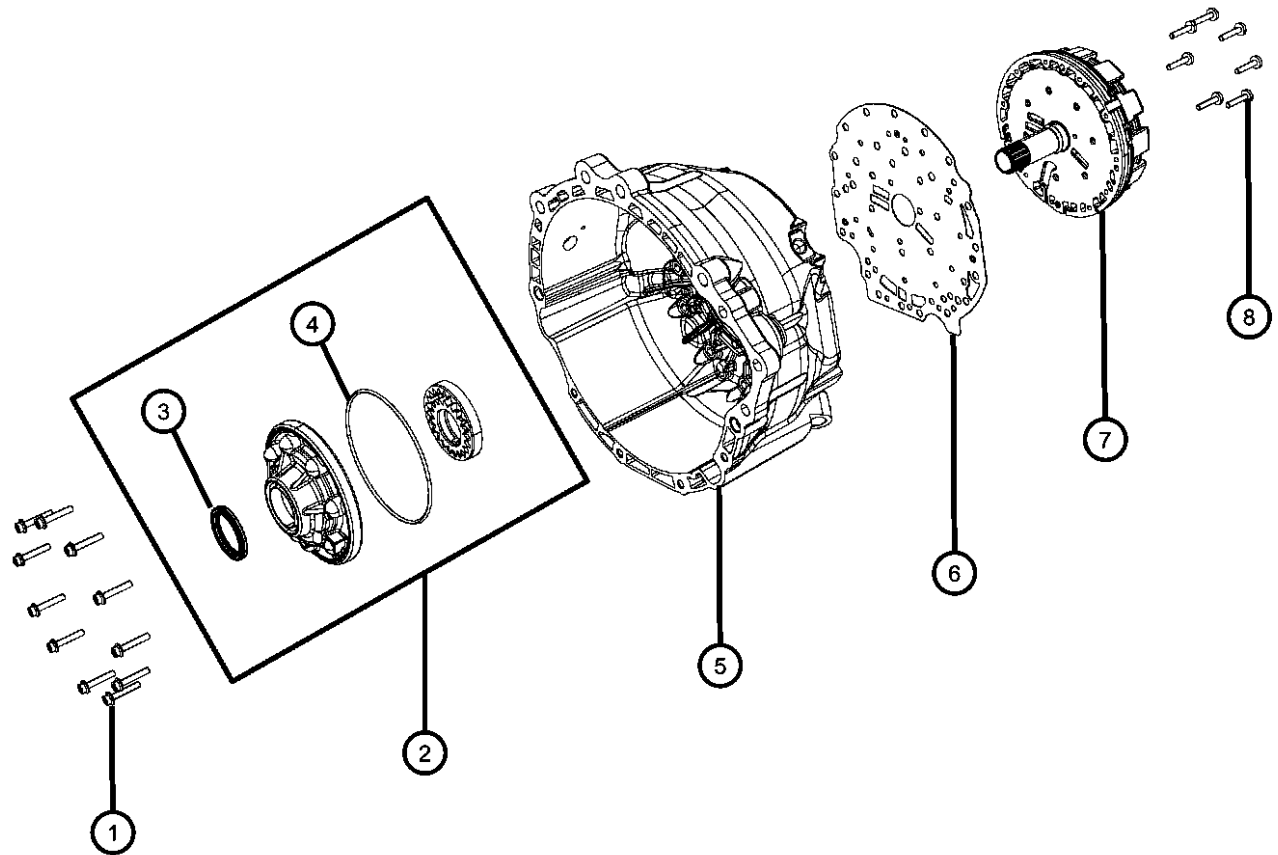
ENGINE
ERB = 3.XL Mid V6 Engine
EZH = 5.7L V8 HEMI MDS
VCT Engine

TRANSMISSION
DGJ = 5-Speed Auto W5A580
Transmission

AR = use ase required - = Non illustrated part

2011 LX

**Oil Pump and Related Parts
Figure 021DGJ-420**



ITEM	PART NUMBER	QTY	LINE	SERIES	BODY	ENGINE	TRANS	TRIM	DESCRIPTION
1	52107934AA	11	F			ERB	DGJ		BOLT, Torx Head, M6x32
		11	C			EZH	DGJ		
		11	F			EZH	DGJ		
		11	C, Z			ERB	DGJ		
2	68087860AA	1	F			EZH	DGJ		PUMP, Transmission Oil, Includes Bolts Item # 8
		1	C			EZH	DGJ		
		1	F			ERB	DGJ		
		1	C, Z			ERB	DGJ		
3	52108424AA	1	C			EZH	DGJ		SEAL
		1	F			EZH	DGJ		
		AR	C, Z			ERB	DGJ		
		AR	F			ERB	DGJ		
4	52107900AA	1	C			EZH	DGJ		O RING, Transmission Oil Pump
		1	F			EZH	DGJ		
		1	C, Z			ERB	DGJ		
		1	F			ERB	DGJ		
5	52108683AA	1	C, Z			ERB	DGJ		HOUSING, Torque Converter
		1	C			EZH	DGJ		
		1	F			EZH	DGJ		
		1	F			ERB	DGJ		
6	52108147AA	1	C			EZH	DGJ		PLATE, Intermediate
		1	F			EZH	DGJ		
		1	C, Z			ERB	DGJ		
		1	F			ERB	DGJ		
7	52108539AC	1	C			EZH	DGJ		HOLDING CLUTCH, Outer carrier, B1
		1	F			ERB	DGJ		
		1	C, Z			ERB	DGJ		
		1	F			EZH	DGJ		

MAGNUM/300/CHARGER (LX)
 SERIES LINE
 H = HIGHLINE C = CHRYSLER
 P = PREMIUM F = EAGLE
 S = SPORT

BODY
 48 = SEDAN TYPE #8

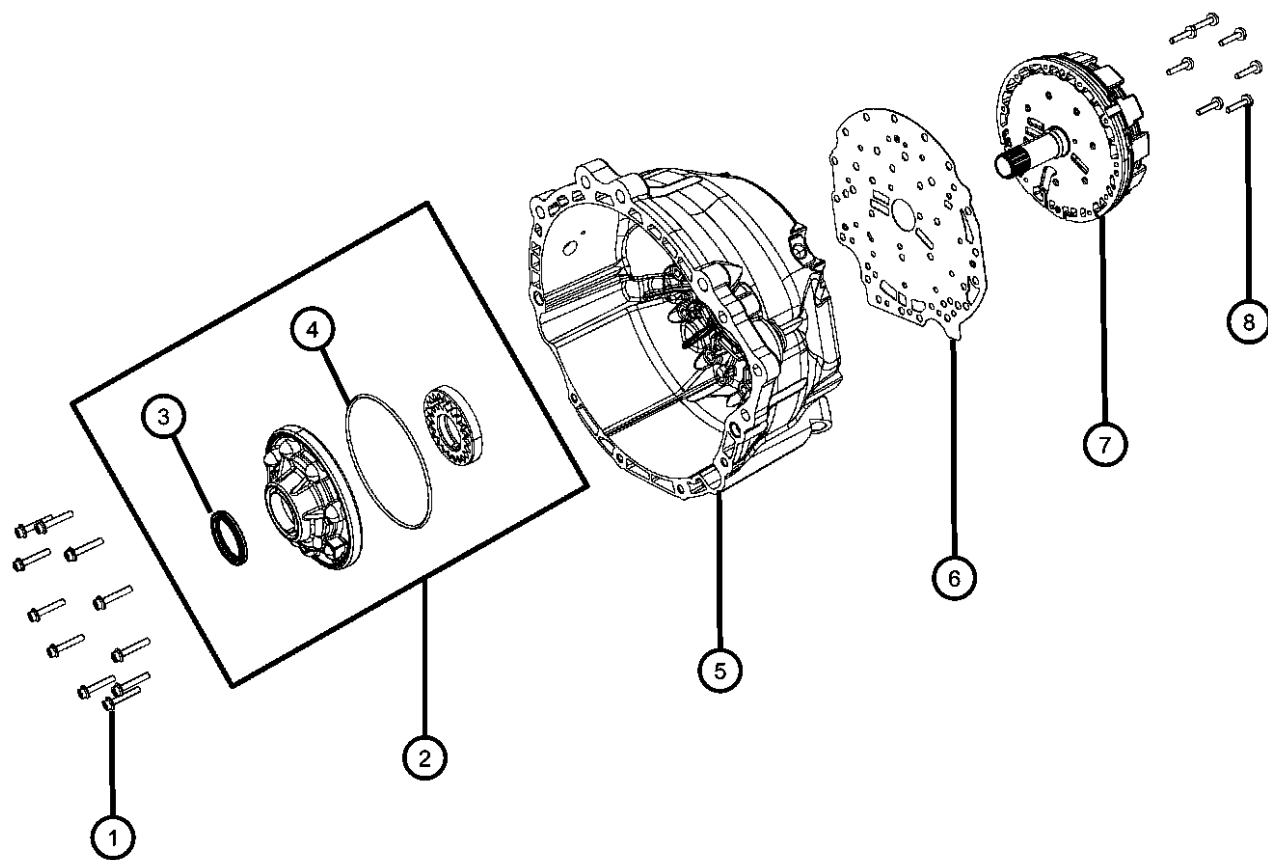
ENGINE
 ERB = 3.XL Mid V6 Engine
 EZH = 5.7L V8 HEMI MDS
 VCT Engine

TRANSMISSION
 DGJ = 5-Speed Auto W5A580
 Transmission

AR = use ase required - = Non illustrated part

**Oil Pump and Related Parts
Figure 021DGJ-420**

ITEM	PART NUMBER	QTY	LINE	SERIES	BODY	ENGINE	TRANS	TRIM	DESCRIPTION
8									BOLT, Torx Head, M8x32, Included In The Pump
	68064780AA	7	C, Z			ERB	DGJ		
		7	F			ERB	DGJ		
		7	C			EZH	DGJ		
		7	F			EZH	DGJ		



MAGNUM/300/CHARGER (LX)

SERIES LINE
H = HIGHLINE C = CHRYSLER
P = PREMIUM F = EAGLE
S = SPORT

BODY
48 = SEDAN TYPE #8

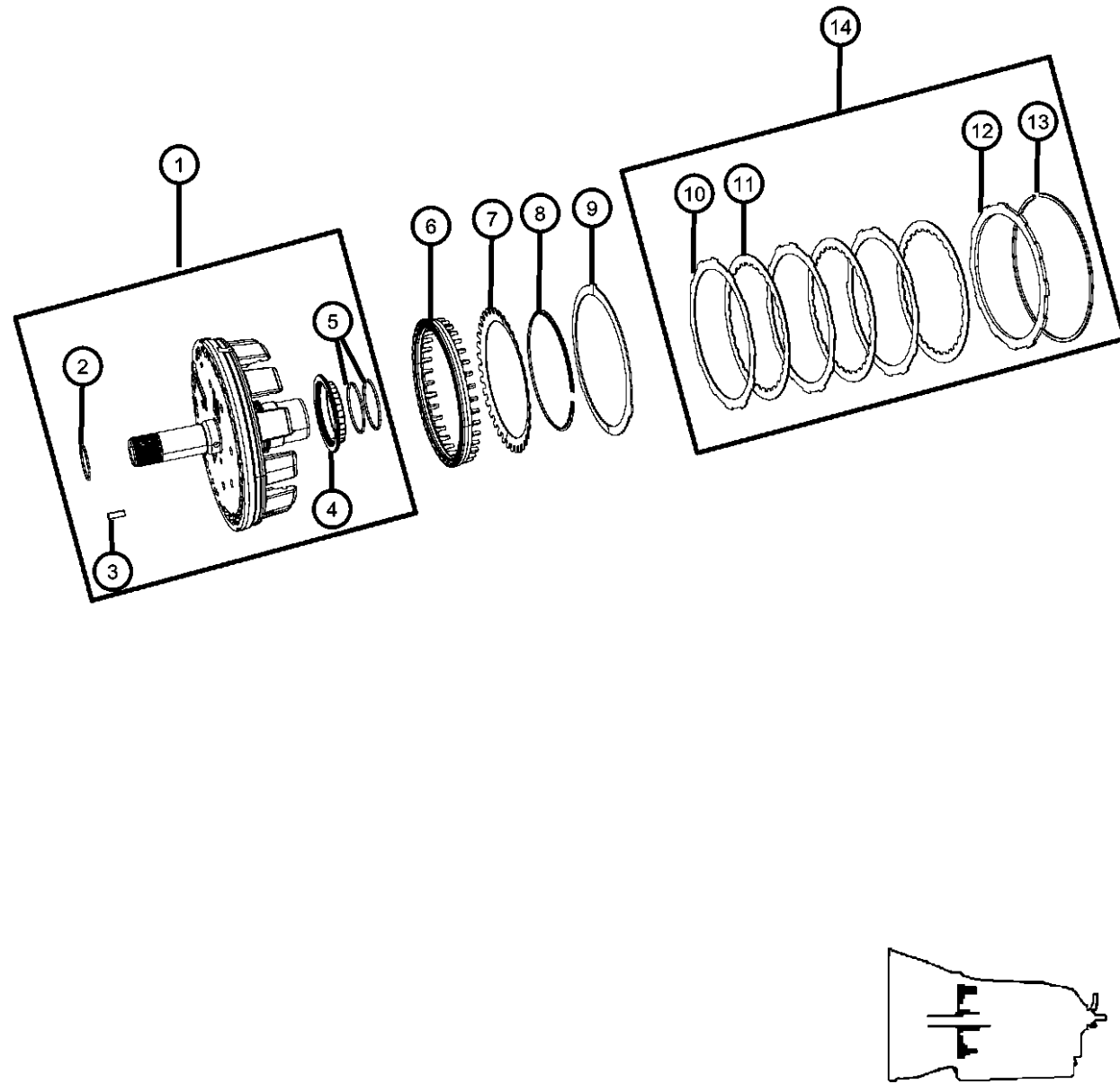
ENGINE
ERB = 3.XL Mid V6 Engine
EZH = 5.7L V8 HEMI MDS
VCT Engine

TRANSMISSION
DGJ = 5-Speed Auto W5A580
Transmission

AR = use ase required - = Non illustrated part

2011 LX

**B1 Brake Clutch
Figure 021DGJ-526**



ITEM	PART NUMBER	QTY	LINE	SERIES	BODY	ENGINE	TRANS	TRIM	DESCRIPTION
1									HOLDING CLUTCH, Outer carrier, B1
	52108539AC	1	F			EZH	DGJ		
	52108505AC	1	F			ERB	DGJ		
		1	C			EZH	DGJ		
		1	C, Z			ERB	DGJ		
2									SNAP RING
	52107948AA	1	F			ERB	DGJ		
		1	C			EZH	DGJ		
		1	F			EZH	DGJ		
		1	C, Z			ERB	DGJ		
3									DOWEL
	06507381AA	1	C			EZH	DGJ		
		1	F			EZH	DGJ		
		1	C, Z			ERB	DGJ		
		1	F			ERB	DGJ		
4		1							BEARING, Needle, (NOT SERVICED)
5									SEAL, Transmission
	52108028AA	2	C			EZH	DGJ		
		2	F			ERB	DGJ		
		2	C, Z			ERB	DGJ		
		2	F			EZH	DGJ		
6									PISTON, B1 Clutch
	68068969AA	1	C			EZH	DGJ		
		1	F			EZH	DGJ		
		1	F			ERB	DGJ		
		1	C, Z			ERB	DGJ		
7									SPRING, Piston Return
	52108023AA	1	C			EZH	DGJ		
		1	F			EZH	DGJ		
		1	C, Z			ERB	DGJ		
		1	F			ERB	DGJ		
8									SNAP RING
	52107936AA	1	C			EZH	DGJ		
		1	C, Z			ERB	DGJ		
		1	F			EZH	DGJ		

MAGNUM/300/CHARGER (LX)

SERIES LINE
H = HIGHLINE C = CHRYSLER
P = PREMIUM F = EAGLE
S = SPORT

BODY
48 = SEDAN TYPE #8

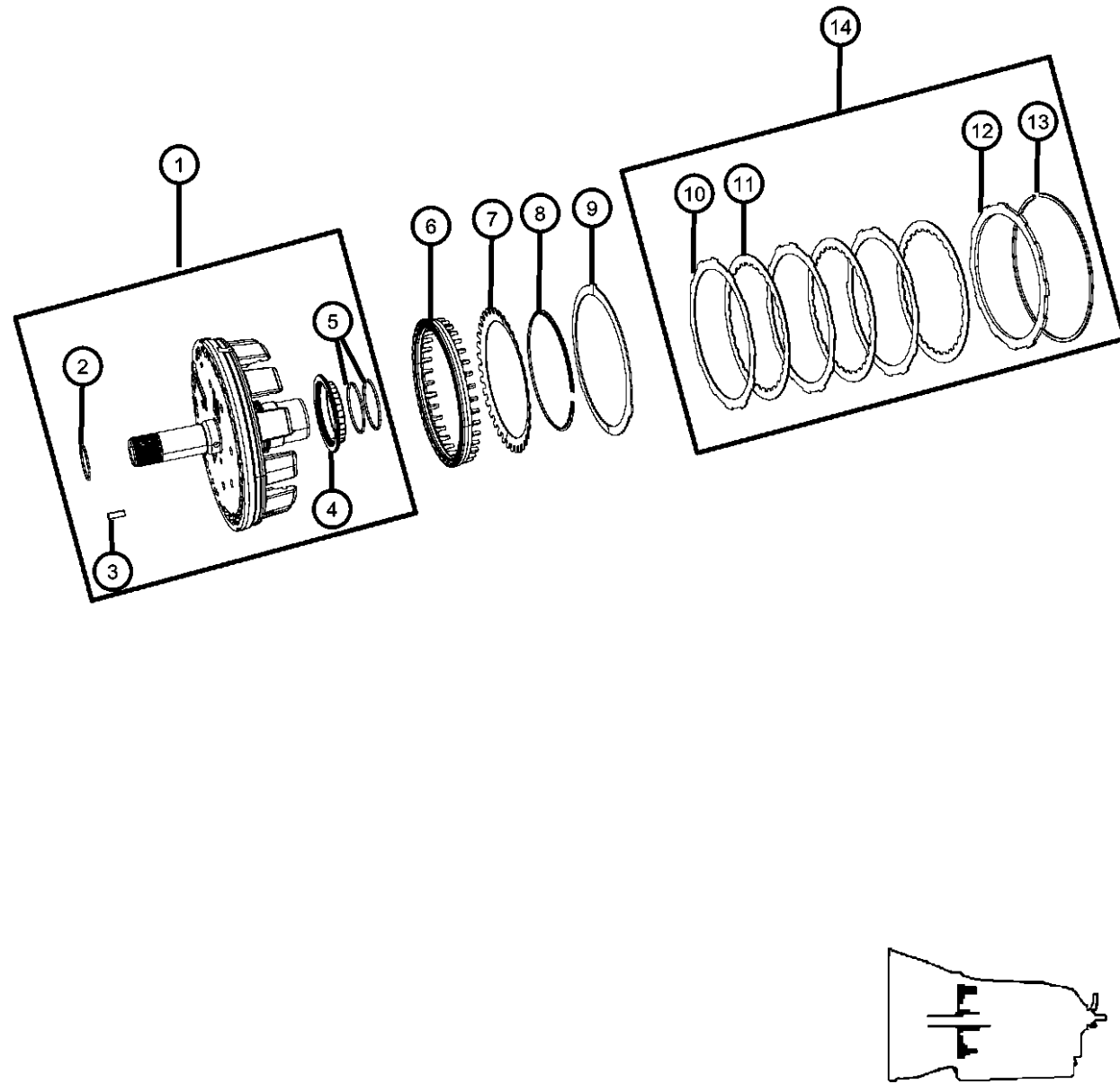
ENGINE
ERB = 3.XL Mid V6 Engine
EZH = 5.7L V8 HEMI MDS VCT Engine

TRANSMISSION
DGJ = 5-Speed Auto W5A580 Transmission

AR = use ase required - = Non illustrated part

2011 LX

**B1 Brake Clutch
Figure 021DGJ-526**



ITEM	PART NUMBER	QTY	LINE	SERIES	BODY	ENGINE	TRANS	TRIM	DESCRIPTION
9		1	F			ERB	DGJ		DISC, Spring
	52108024AA	1	F			ERB	DGJ		
		1	C			EZH	DGJ		
		1	F			EZH	DGJ		
		1	C, Z			ERB	DGJ		
10									DISC, Outer
	52108508AA	4	C			EZH	DGJ		
		4	F			EZH	DGJ		
		3	C, Z			ERB	DGJ		
		3	F			ERB	DGJ		
11									DISC, Inner
	52108507AA	4	C			EZH	DGJ		
		4	F			EZH	DGJ		
		3	C, Z			ERB	DGJ		
		3	F			ERB	DGJ		
12									PLATE, Transmission Clutch Reaction
	68039901AA	1	F			EZH	DGJ		
		1	F			ERB	DGJ		
		1	C			EZH	DGJ		
		1	C, Z			ERB	DGJ		
13									SNAP RING
	52107949AA	AR	C			EZH	DGJ		[2.6MM]
		AR	F			EZH	DGJ		[2.6MM]
		AR	C, Z			ERB	DGJ		[2.6MM]
	52107950AA	AR	C			EZH	DGJ		[2.9MM]
		AR	F			ERB	DGJ		[2.6MM]
		AR	C, Z			ERB	DGJ		[2.9MM]
		AR	F			EZH	DGJ		[2.9MM]
	52107951AA	AR	F			ERB	DGJ		[3.2MM]
		AR	C			EZH	DGJ		[3.2MM]
		AR	F			EZH	DGJ		[3.2MM]
	52107952AA	AR	F			EZH	DGJ		[3.5MM]
		AR	C, Z			ERB	DGJ		[3.2MM]

MAGNUM/300/CHARGER (LX)

SERIES LINE
H = HIGHLINE C = CHRYSLER
P = PREMIUM F = EAGLE
S = SPORT

BODY
48 = SEDAN TYPE #8

ENGINE
ERB = 3.XL Mid V6 Engine
EZH = 5.7L V8 HEMI MDS
VCT Engine

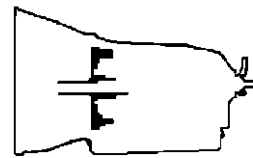
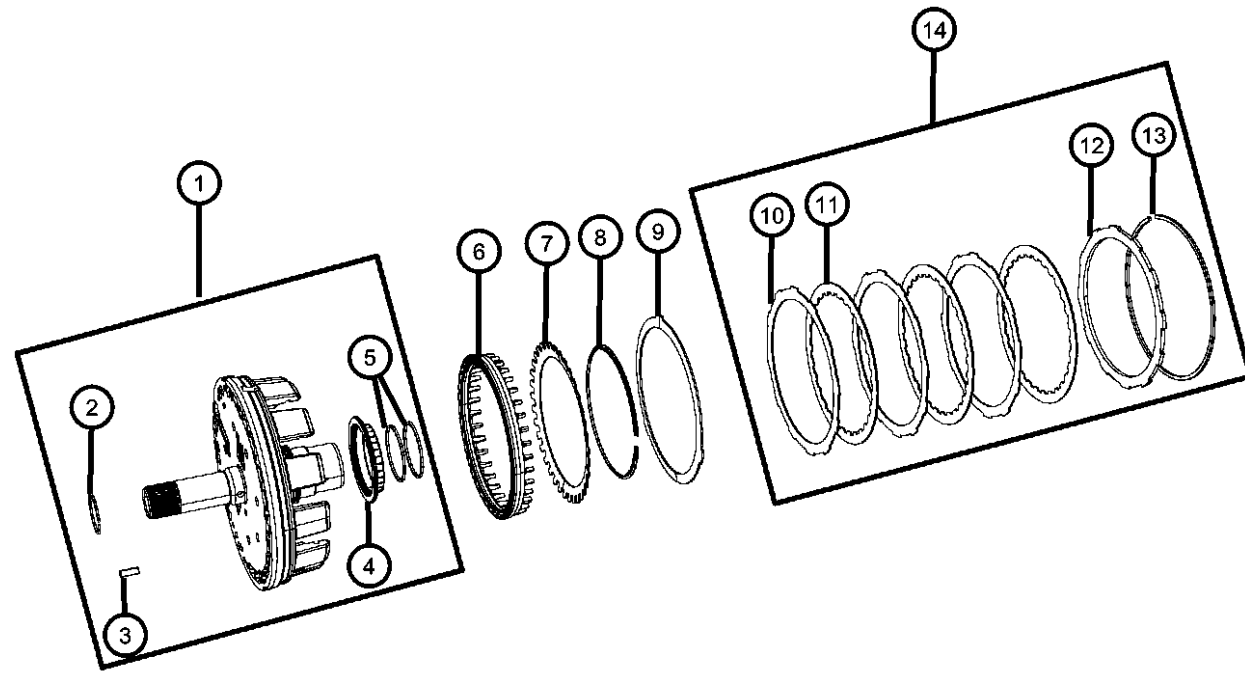
TRANSMISSION
DGJ = 5-Speed Auto W5A580
Transmission

AR = use ase required - = Non illustrated part

2011 LX

**B1 Brake Clutch
Figure 021DGJ-526**

ITEM	PART NUMBER	QTY	LINE	SERIES	BODY	ENGINE	TRANS	TRIM	DESCRIPTION
		AR	C			EZH	DGJ		[3.5MM]
		AR	F			ERB	DGJ		[3.5MM]
		AR	C, Z			ERB	DGJ		[3.5MM]
14									CLUTCH PACKAGE, B1 Brake Clutch
	68028659AA	1	C			EZH	DGJ		
	68028666AA	1	F			ERB	DGJ		
		1	C, Z			ERB	DGJ		
		1	F			EZH	DGJ		



MAGNUM/300/CHARGER (LX)

SERIES LINE
H = HIGHLINE C = CHRYSLER
P = PREMIUM F = EAGLE
S = SPORT

BODY
48 = SEDAN TYPE #8

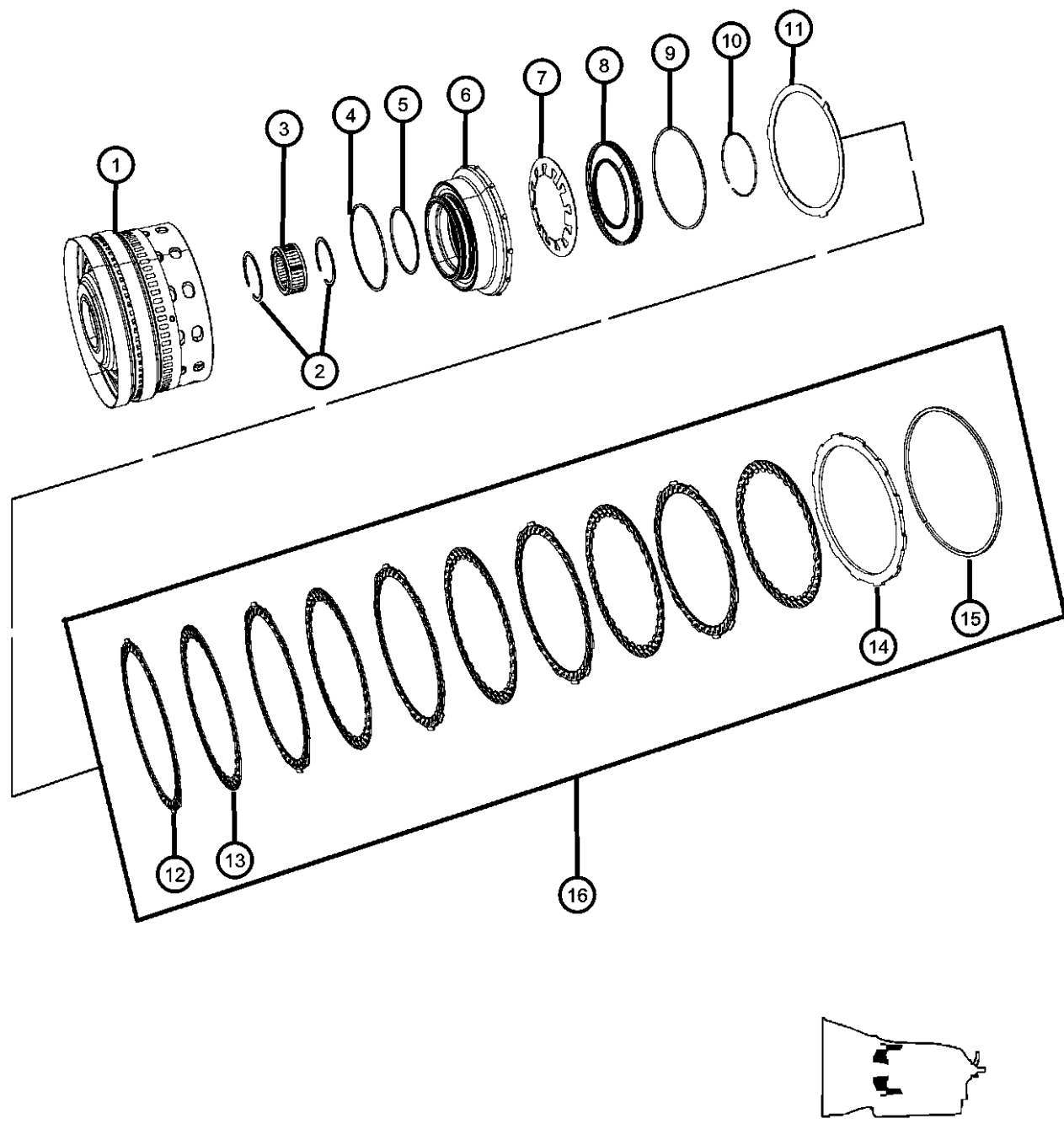
ENGINE
ERB = 3.XL Mid V6 Engine
EZH = 5.7L V8 HEMI MDS
VCT Engine

TRANSMISSION
DGJ = 5-Speed Auto W5A580
Transmission

AR = use ase required - = Non illustrated part

2011 LX

**K1 Clutch Assembly
Figure 021DGJ-527**

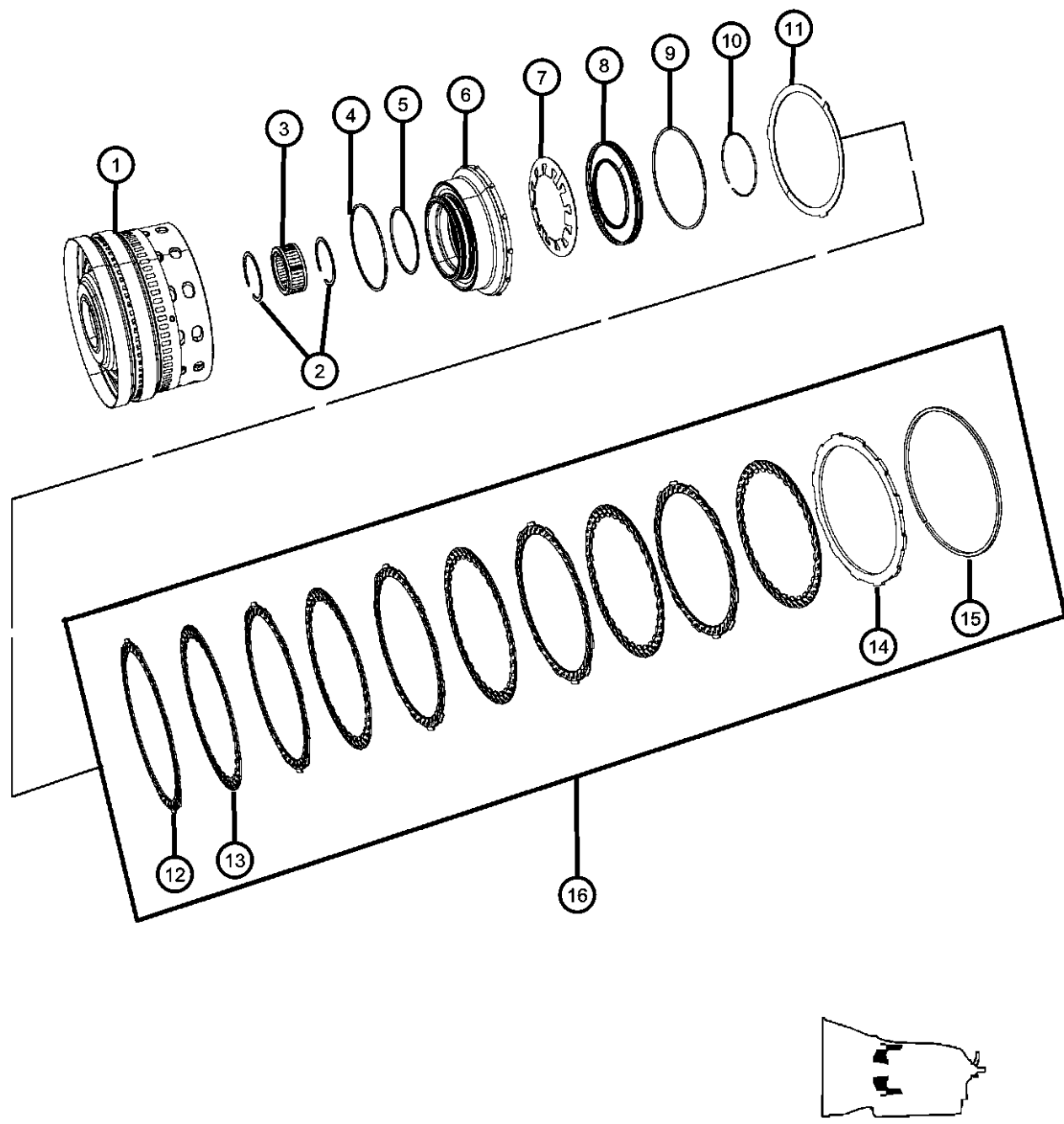


ITEM	PART NUMBER	QTY	LINE	SERIES	BODY	ENGINE	TRANS	TRIM	DESCRIPTION
1	52108510AC	1	F			ERB	DGJ		RETAINER, K1 Clutch
	52108541AC	1	C			EZH	DGJ		
		1	F			EZH	DGJ		
		1	C, Z			ERB	DGJ		
		1	F			EZH	DGJ		
2	52107955AA	2	C			EZH	DGJ		SNAP RING
		2	F			EZH	DGJ		
		2	C, Z			ERB	DGJ		
		2	F			ERB	DGJ		
		2	F			ERB	DGJ		
3	52108342AC	1	C			EZH	DGJ		CLUTCH, Front Sun Gear Sprag
		1	F			EZH	DGJ		
		1	F			ERB	DGJ		
		1	C, Z			ERB	DGJ		
4	52107939AA	1	F			EZH	DGJ		SEAL, Transmission, Large
		1	C			EZH	DGJ		
		1	F			ERB	DGJ		
		1	C, Z			ERB	DGJ		
5	52107938AA	1	C			EZH	DGJ		SEAL, Transmission, Small
		1	F			EZH	DGJ		
		1	C, Z			ERB	DGJ		
		1	F			ERB	DGJ		
6	52108059AA	1	C			EZH	DGJ		PISTON, K1 Clutch
		1	F			ERB	DGJ		
		1	C, Z			ERB	DGJ		
		1	F			EZH	DGJ		
7	52108057AA	1	C			EZH	DGJ		SPRING, Piston Return
		1	F			EZH	DGJ		
		1	C, Z			ERB	DGJ		
		1	F			ERB	DGJ		
8								RETAINER, Spring	

MAGNUM/300/CHARGER (LX)
 SERIES LINE BODY ENGINE TRANSMISSION
 H = HIGHLINE C = CHRYSLER 48 = SEDAN TYPE #8 ERB = 3.XL Mid V6 Engine DGJ = 5-Speed Auto W5A580
 P = PREMIUM F = EAGLE EZH = 5.7L V8 HEMI MDS Transmission
 S = SPORT VCT Engine

AR = use ase required - = Non illustrated part

**K1 Clutch Assembly
Figure 021DGJ-527**



ITEM	PART NUMBER	QTY	LINE	SERIES	BODY	ENGINE	TRANS	TRIM	DESCRIPTION
	52108058AA	1	C			EZH	DGJ		
		1	F			EZH	DGJ		
		1	C, Z			ERB	DGJ		
		1	F			ERB	DGJ		
9									O RING
	52107941AA	1	C			EZH	DGJ		
		1	F			EZH	DGJ		
		1	C, Z			ERB	DGJ		
		1	F			ERB	DGJ		
10									SNAP RING
	52107954AA	1	C			EZH	DGJ		
		1	F			EZH	DGJ		
		1	C, Z			ERB	DGJ		
		1	F			ERB	DGJ		
11									DISC, Spring
	52108024AA	1	C			EZH	DGJ		
		1	F			ERB	DGJ		
		1	C, Z			ERB	DGJ		
		1	F			EZH	DGJ		
12									DISC, Outer
	52108508AA	6	C			EZH	DGJ		
		5	F			ERB	DGJ		
		5	C, Z			ERB	DGJ		
		6	F			EZH	DGJ		
13									DISC, Inner
	52108507AA	5	C, Z			ERB	DGJ		
		6	F			EZH	DGJ		
		6	C			EZH	DGJ		
		5	F			ERB	DGJ		
14									PLATE, Transmission Clutch Reaction
	68039901AA	1	F			ERB	DGJ		
		1	F			EZH	DGJ		
		1	C, Z			ERB	DGJ		
		1	C			EZH	DGJ		
15									SNAP RING

MAGNUM/300/CHARGER (LX)
 SERIES LINE
 H = HIGHLINE C = CHRYSLER
 P = PREMIUM F = EAGLE
 S = SPORT

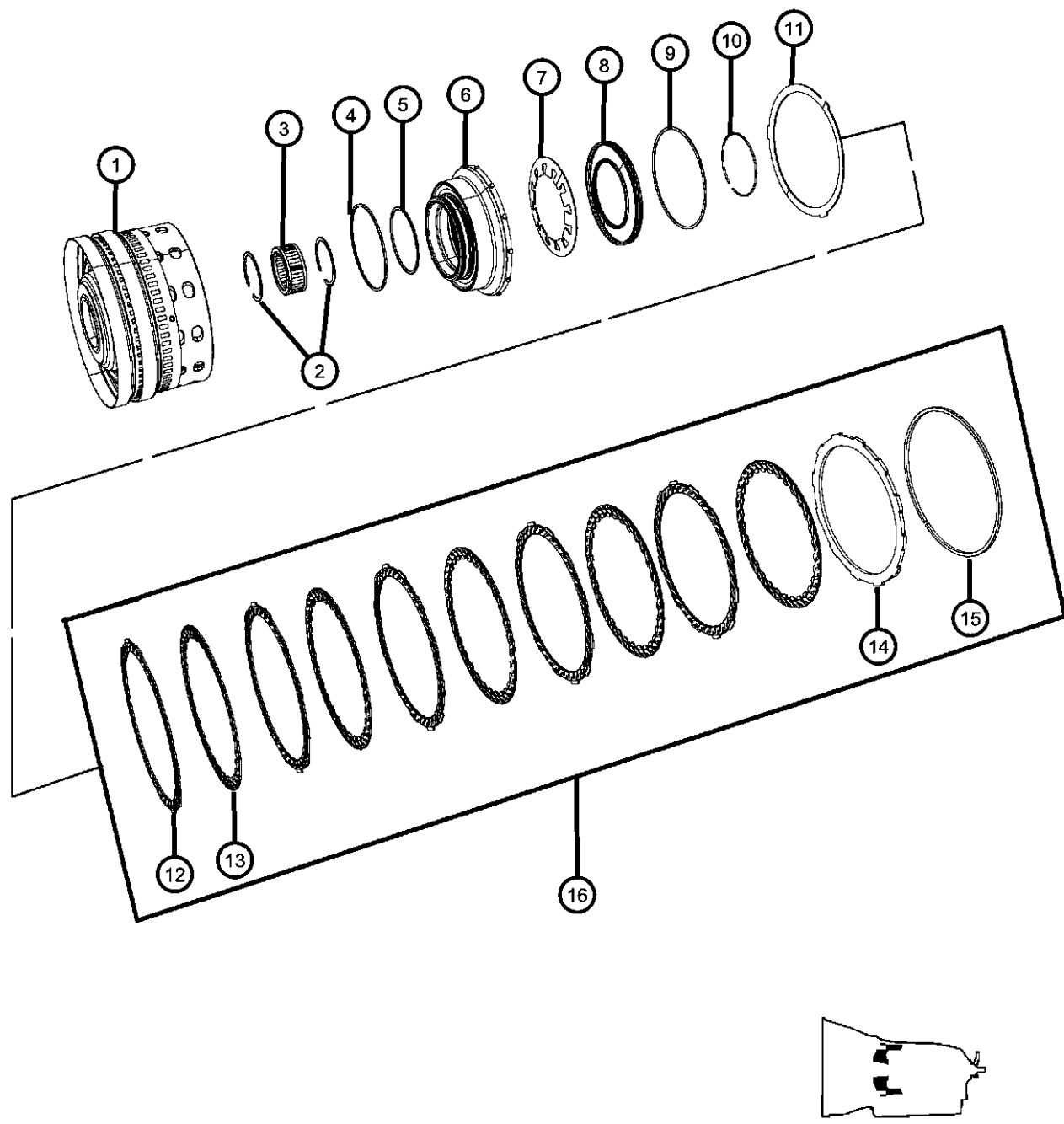
BODY
 48 = SEDAN TYPE #8

ENGINE
 ERB = 3.XL Mid V6 Engine
 EZH = 5.7L V8 HEMI MDS
 VCT Engine

TRANSMISSION
 DGJ = 5-Speed Auto W5A580
 Transmission

AR = use ase required - = Non illustrated part

**K1 Clutch Assembly
Figure 021DGJ-527**



ITEM	PART NUMBER	QTY	LINE	SERIES	BODY	ENGINE	TRANS	TRIM	DESCRIPTION
	52107949AA	AR	C			EZH	DGJ		[2.6MM]
		AR	F			ERB	DGJ		[2.6MM]
		AR	C, Z			ERB	DGJ		[2.6MM]
		AR	F			EZH	DGJ		[2.6MM]
	52107950AA	AR	F			ERB	DGJ		[2.9MM]
		AR	C			EZH	DGJ		[2.9MM]
		AR	F			EZH	DGJ		[2.9MM]
	52107951AA	AR	F			EZH	DGJ		[3.2MM]
		AR	C, Z			ERB	DGJ		[2.9MM]
		AR	C			EZH	DGJ		[3.2MM]
	52107952AA	AR	C			EZH	DGJ		[3.5MM]
		AR	F			EZH	DGJ		[3.5MM]
		AR	F			ERB	DGJ		[3.5MM]
		AR	F			ERB	DGJ		[3.2MM]
		AR	C, Z			ERB	DGJ		[3.2MM]
		AR	C, Z			ERB	DGJ		[3.5MM]
	52108373AA	AR	C, Z			ERB	DGJ		[3.8MM]
		AR	F			ERB	DGJ		[3.8MM]
		AR	C			EZH	DGJ		[3.8MM]
		AR	F			EZH	DGJ		[3.8MM]
16									CLUTCH PACKAGE, K1 Input Clutch
	68027270AA	1	F			EZH	DGJ		
	68028662AA	1	F			ERB	DGJ		
		1	C, Z			ERB	DGJ		
		1	C			EZH	DGJ		

MAGNUM/300/CHARGER (LX)
 SERIES LINE
 H = HIGHLINE C = CHRYSLER
 P = PREMIUM F = EAGLE
 S = SPORT

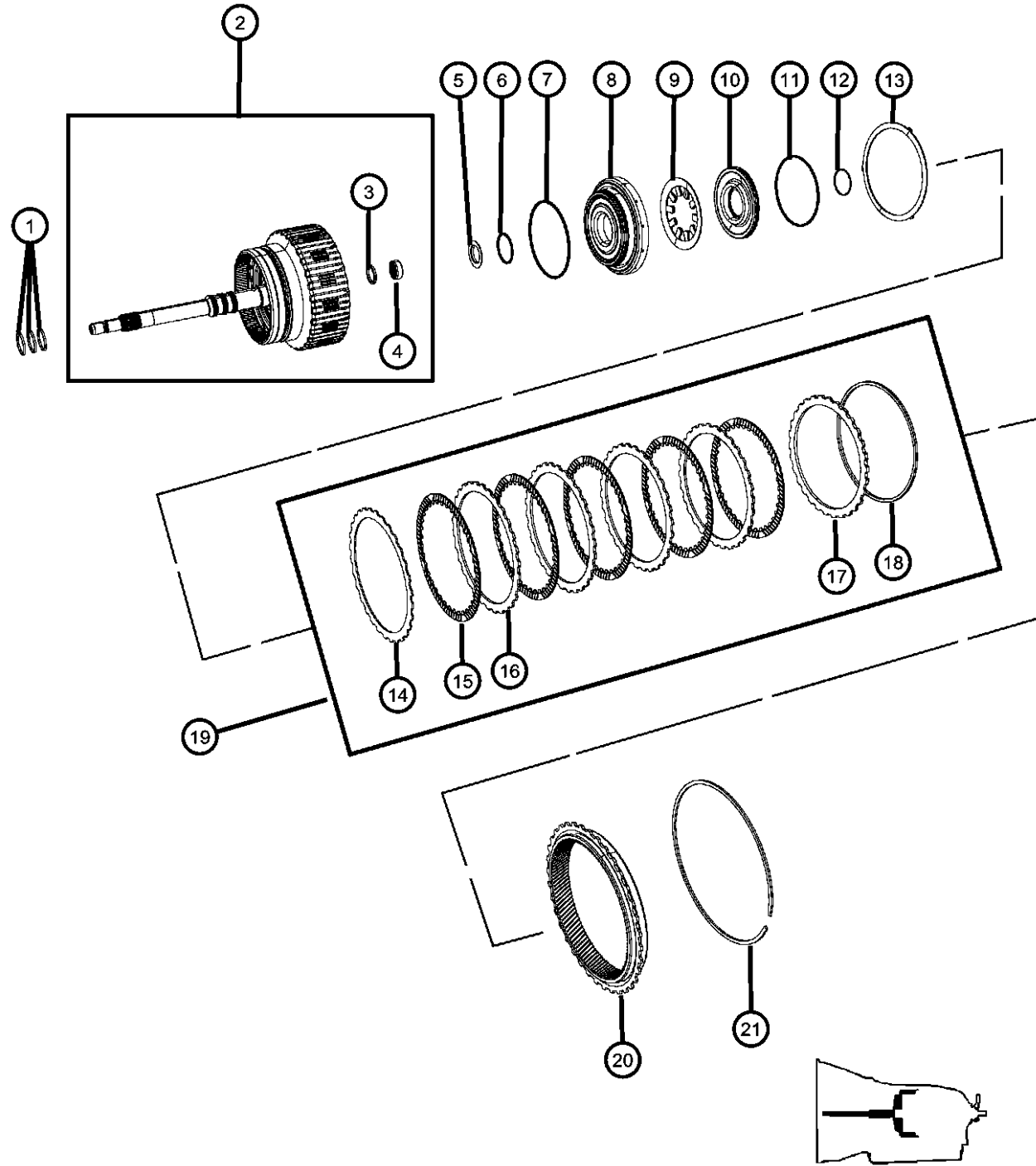
BODY
 48 = SEDAN TYPE #8

ENGINE
 ERB = 3.XL Mid V6 Engine
 EZH = 5.7L V8 HEMI MDS VCT Engine

TRANSMISSION
 DGJ = 5-Speed Auto W5A580 Transmission

AR = use ase required - = Non illustrated part

**K2 Clutch Assembly
Figure 021DGJ-528**



ITEM	PART NUMBER	QTY	LINE	SERIES	BODY	ENGINE	TRANS	TRIM	DESCRIPTION
1	05179366AB	3	C			EZH	DGJ		SEAL, Transmission
		3	F			EZH	DGJ		
		3	C, Z			ERB	DGJ		
		3	F			ERB	DGJ		
2	52108044AA	1	F			ERB	DGJ		SHAFT, Input
		1	C, Z			ERB	DGJ		
		1	F			EZH	DGJ		
		1	C			EZH	DGJ		
		1	C			EZH	DGJ		
3	52108127AA	1	C			EZH	DGJ		SEAL, Transmission
		1	F			EZH	DGJ		
		1	C, Z			ERB	DGJ		
		1	F			ERB	DGJ		
4	52108126AA	1	C			EZH	DGJ		NEEDLE BEARING
		1	F			EZH	DGJ		
		1	C, Z			ERB	DGJ		
		1	F			ERB	DGJ		
5	52107928AA	1	C			EZH	DGJ		RETAINER, Bearing
		1	F			EZH	DGJ		
		1	C, Z			ERB	DGJ		
		1	F			ERB	DGJ		
6	52108134AA	1	C			EZH	DGJ		SEAL, Transmission
		1	F			EZH	DGJ		
		1	C, Z			ERB	DGJ		
		1	F			ERB	DGJ		
7	52108135AA	1	C			EZH	DGJ		SEAL, Input Shaft
		1	F			EZH	DGJ		
		1	C, Z			ERB	DGJ		
		1	F			ERB	DGJ		
8								PISTON, K2 Clutch	

MAGNUM/300/CHARGER (LX)

SERIES LINE
 H = HIGHLINE C = CHRYSLER
 P = PREMIUM F = EAGLE
 S = SPORT

BODY
 48 = SEDAN TYPE #8

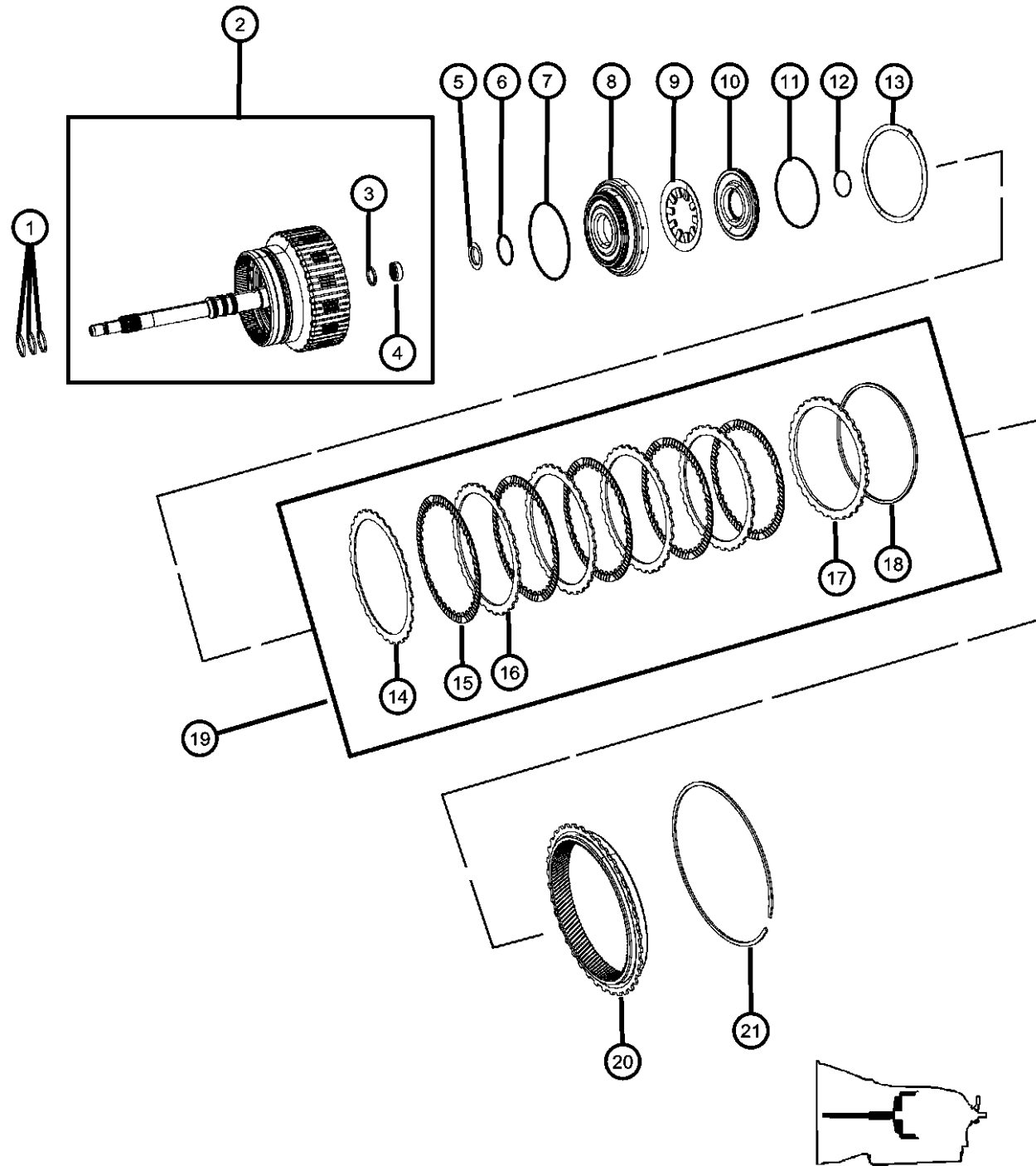
ENGINE
 ERB = 3.XL Mid V6 Engine
 EZH = 5.7L V8 HEMI MDS
 VCT Engine

TRANSMISSION
 DGJ = 5-Speed Auto W5A580
 Transmission

AR = use ase required - = Non illustrated part

2011 LX

**K2 Clutch Assembly
Figure 021DGJ-528**



ITEM	PART NUMBER	QTY	LINE	SERIES	BODY	ENGINE	TRANS	TRIM	DESCRIPTION
	52108136AA	1	C			EZH	DGJ		
		1	F			EZH	DGJ		
	52108517AA	1	C, Z			ERB	DGJ		
		1	F			ERB	DGJ		
9									SPRING, Piston Return
	52108137AA	1	C			EZH	DGJ		
		1	F			EZH	DGJ		
		1	C, Z			ERB	DGJ		
		1	F			ERB	DGJ		
10									RETAINER, Spring
	52108138AB	1	C			EZH	DGJ		
		1	F			EZH	DGJ		
		1	C, Z			ERB	DGJ		
		1	F			ERB	DGJ		
11									O RING
	52108140AA	1	C			EZH	DGJ		
		1	F			EZH	DGJ		
		1	C, Z			ERB	DGJ		
		1	F			ERB	DGJ		
12									SNAP RING
	52108533AA	1	C			EZH	DGJ		
		1	F			EZH	DGJ		
		1	C, Z			ERB	DGJ		
		1	F			ERB	DGJ		
13									DISC, Spring
	52108346AA	1	C			EZH	DGJ		
		1	F			EZH	DGJ		
		1	C, Z			ERB	DGJ		
		1	F			ERB	DGJ		
14									DISC, Outer
	52107996AA	1	C			EZH	DGJ		
		1	F			EZH	DGJ		
		1	C, Z			ERB	DGJ		
		1	F			ERB	DGJ		
15									DISC, Inner

MAGNUM/300/CHARGER (LX)

SERIES LINE
H = HIGHLINE C = CHRYSLER
P = PREMIUM F = EAGLE
S = SPORT

BODY
48 = SEDAN TYPE #8

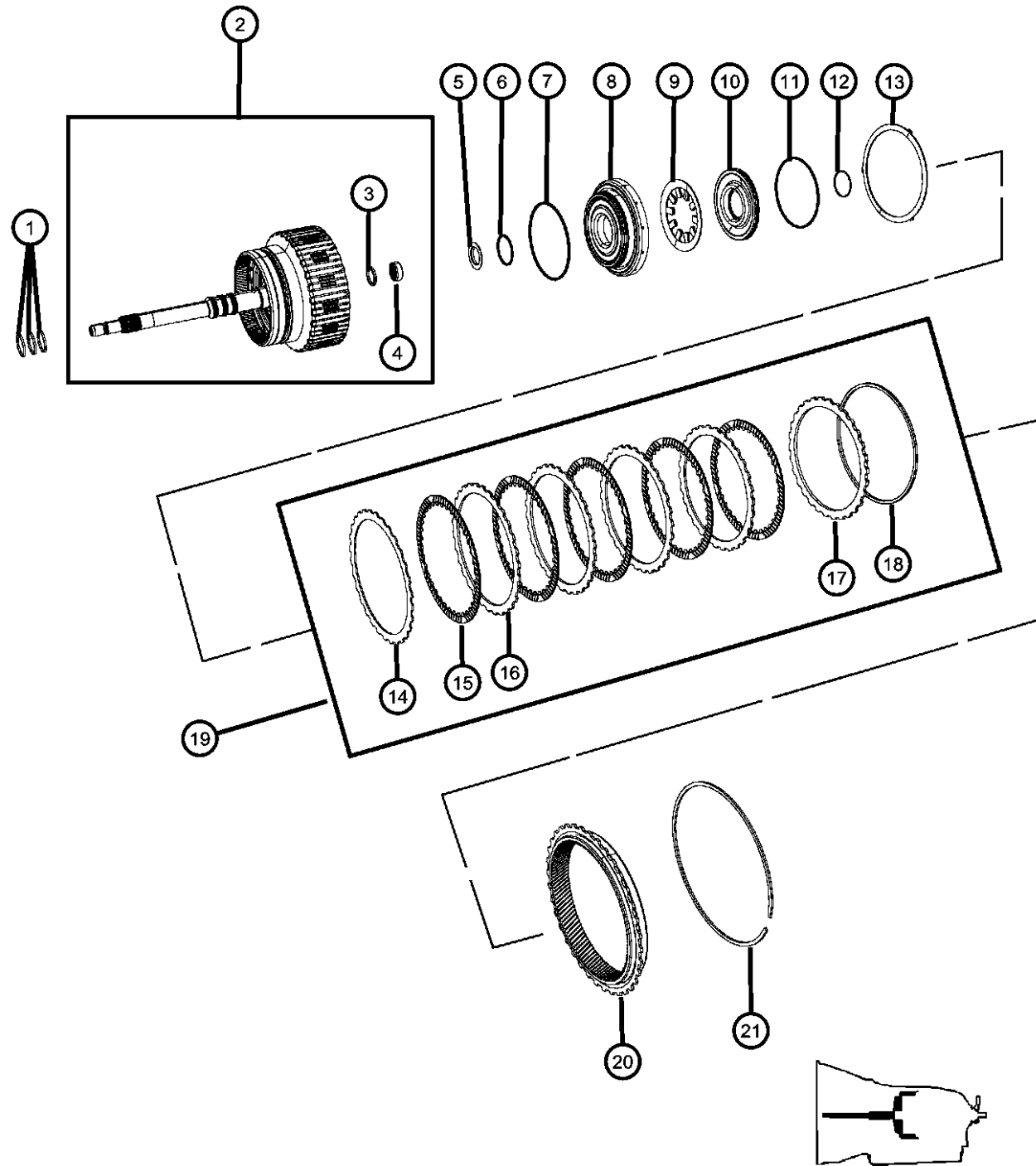
ENGINE
ERB = 3.XL Mid V6 Engine
EZH = 5.7L V8 HEMI MDS
VCT Engine

TRANSMISSION
DGJ = 5-Speed Auto W5A580
Transmission

AR = use ase required - = Non illustrated part

2011 LX

K2 Clutch Assembly
Figure 021DGJ-528



ITEM	PART NUMBER	QTY	LINE	SERIES	BODY	ENGINE	TRANS	TRIM	DESCRIPTION
	52108141AB	6	C			EZH	DGJ		
		6	F			EZH	DGJ		
		5	C, Z			ERB	DGJ		
		5	F			ERB	DGJ		
16	52107997AA	5	C			EZH	DGJ		DISC, Outer
		5	F			EZH	DGJ		
		4	C, Z			ERB	DGJ		
		4	F			ERB	DGJ		
17	52107998AA	1	C			EZH	DGJ		DISC, Outer
		1	F			EZH	DGJ		
		1	C, Z			ERB	DGJ		
		1	F			ERB	DGJ		
18	52107958AA	AR	C			EZH	DGJ		SNAP RING [2.3 MM]
		AR	F			EZH	DGJ		[2.3 MM]
		AR	C, Z			ERB	DGJ		[2.3 MM]
	52107959AA	AR	C			EZH	DGJ		[2.6 MM]
		AR	F			ERB	DGJ		[2.3 MM]
		AR	F			ERB	DGJ		[2.6 MM]
	52107960AA	AR	F			ERB	DGJ		[2.9 MM]
		AR	C			EZH	DGJ		[2.9 MM]
		AR	F			EZH	DGJ		[2.9 MM]
	52107961AA	AR	F			EZH	DGJ		[3.2 MM]
		AR	C, Z			ERB	DGJ		[2.9 MM]
		AR	C			EZH	DGJ		[3.2 MM]
	52107962AA	AR	C			EZH	DGJ		[3.5 MM]
		AR	F			ERB	DGJ		[3.2 MM]
		AR	C, Z			ERB	DGJ		[2.6 MM]
		AR	F			EZH	DGJ		[2.6 MM]
		AR	F			ERB	DGJ		[3.5 MM]
		AR	C, Z			ERB	DGJ		[3.2 MM]
		AR	C, Z			ERB	DGJ		[3.5 MM]
		AR	F			EZH	DGJ		[3.5 MM]

MAGNUM/300/CHARGER (LX)

SERIES LINE
H = HIGHLINE C = CHRYSLER
P = PREMIUM F = EAGLE
S = SPORT

BODY
48 = SEDAN TYPE #8

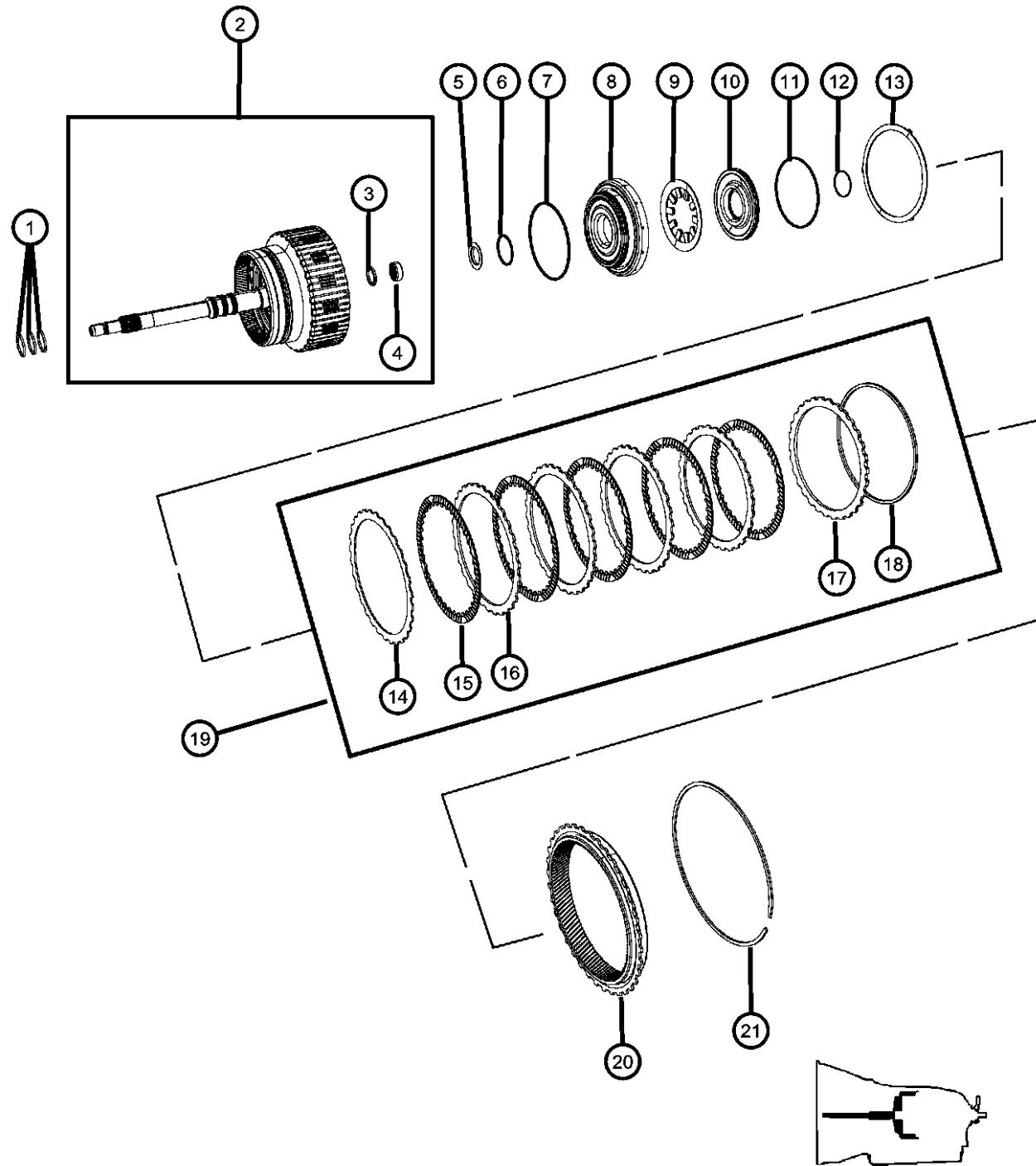
ENGINE
ERB = 3.XL Mid V6 Engine
EZH = 5.7L V8 HEMI MDS
VCT Engine

TRANSMISSION
DGJ = 5-Speed Auto W5A580
Transmission

AR = use ase required - = Non illustrated part

2011 LX

**K2 Clutch Assembly
Figure 021DGJ-528**



ITEM	PART NUMBER	QTY	LINE	SERIES	BODY	ENGINE	TRANS	TRIM	DESCRIPTION
19	68028565AA	1	C			EZH	DGJ		CLUTCH PACKAGE, K2 Input Clutch
		1	F			EZH	DGJ		
	68028663AA	1	C, Z			ERB	DGJ		
		1	F			ERB	DGJ		
20	52107922AA	1	F			ERB	DGJ		GEAR, Rear Annulus
		1	C			EZH	DGJ		
		1	C, Z			ERB	DGJ		
		1	F			EZH	DGJ		
21	52107926AA	1	F			EZH	DGJ		SNAP RING
		1	F			ERB	DGJ		
		1	C, Z			ERB	DGJ		
		1	C			EZH	DGJ		

MAGNUM/300/CHARGER (LX)

SERIES LINE
H = HIGHLINE C = CHRYSLER
P = PREMIUM F = EAGLE
S = SPORT

BODY
48 = SEDAN TYPE #8

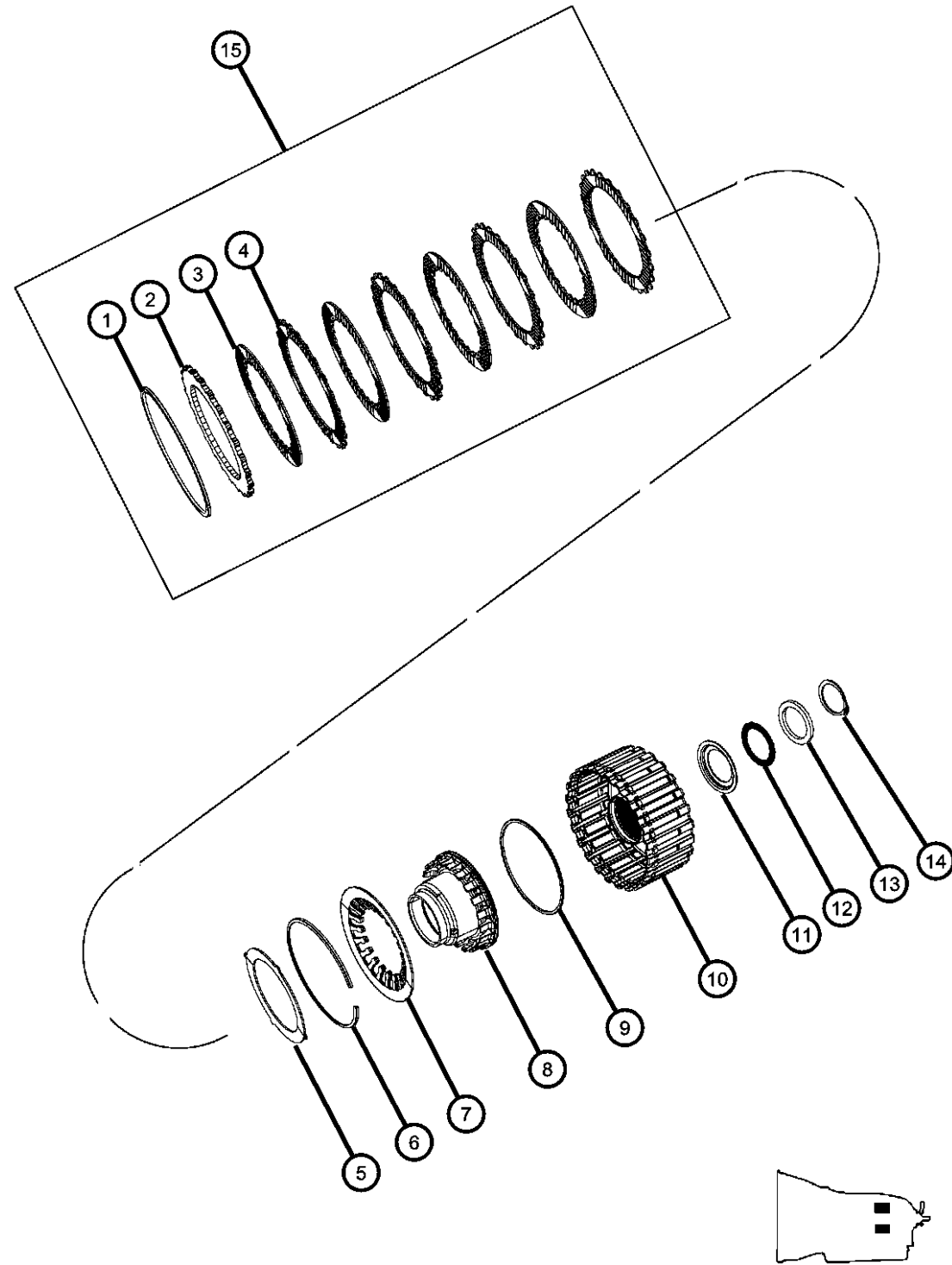
ENGINE
ERB = 3.XL Mid V6 Engine
EZH = 5.7L V8 HEMI MDS
VCT Engine

TRANSMISSION
DGJ = 5-Speed Auto W5A580
Transmission

AR = use ase required - = Non illustrated part

2011 LX

**K3 Clutch Assembly
Figure 021DGJ-529**



ITEM	PART NUMBER	QTY	LINE	SERIES	BODY	ENGINE	TRANS	TRIM	DESCRIPTION	
1	52107970AA	AR	F			EZH	DGJ		SNAP RING [2.3 MM]	
		AR	F			ERB	DGJ		[2.3 MM]	
	52107971AA	AR	C			EZH	DGJ		[2.3 MM]	
		AR	F			EZH	DGJ		[2.6 MM]	
	52107972AA	AR	C, Z			ERB	DGJ		[2.3 MM]	
		AR	C			EZH	DGJ		[2.6 MM]	
	52107974AA	AR	C			EZH	DGJ		[2.9 MM]	
		AR	F			ERB	DGJ		[2.6 MM]	
	52107973AA	AR	F			ERB	DGJ		[2.9 MM]	
		AR	C			EZH	DGJ		[2.0 MM]	
	2	52108011AA	AR	C			EZH	DGJ		[3.2 MM]
			AR	F			EZH	DGJ		[3.2 MM]
			AR	C, Z			ERB	DGJ		[2.0 MM]
			AR	F			EZH	DGJ		[2.0 MM]
			AR	F			ERB	DGJ		[2.0 MM]
			AR	C, Z			ERB	DGJ		[2.6 MM]
AR			C, Z			ERB	DGJ		[2.9 MM]	
AR			F			EZH	DGJ		[2.9 MM]	
3	52108528AA	1	F			ERB	DGJ		DISC, Outer	
		1	C			EZH	DGJ			
		1	C, Z			ERB	DGJ			
		1	F			EZH	DGJ			
4	52108529AA	4	F			ERB	DGJ		DISC, Inner	
		4	C, Z			ERB	DGJ			
		5	C			EZH	DGJ			
		5	F			EZH	DGJ			
		5	F			EZH	DGJ			
5	52108096AA	4	F			EZH	DGJ		DISC, Outer	
		4	F			ERB	DGJ			
		4	C, Z			ERB	DGJ			
		5	C			EZH	DGJ			
5	52108096AA	1	F			EZH	DGJ		DISC, Spring	

MAGNUM/300/CHARGER (LX)

SERIES LINE
H = HIGHLINE C = CHRYSLER
P = PREMIUM F = EAGLE
S = SPORT

BODY
48 = SEDAN TYPE #8

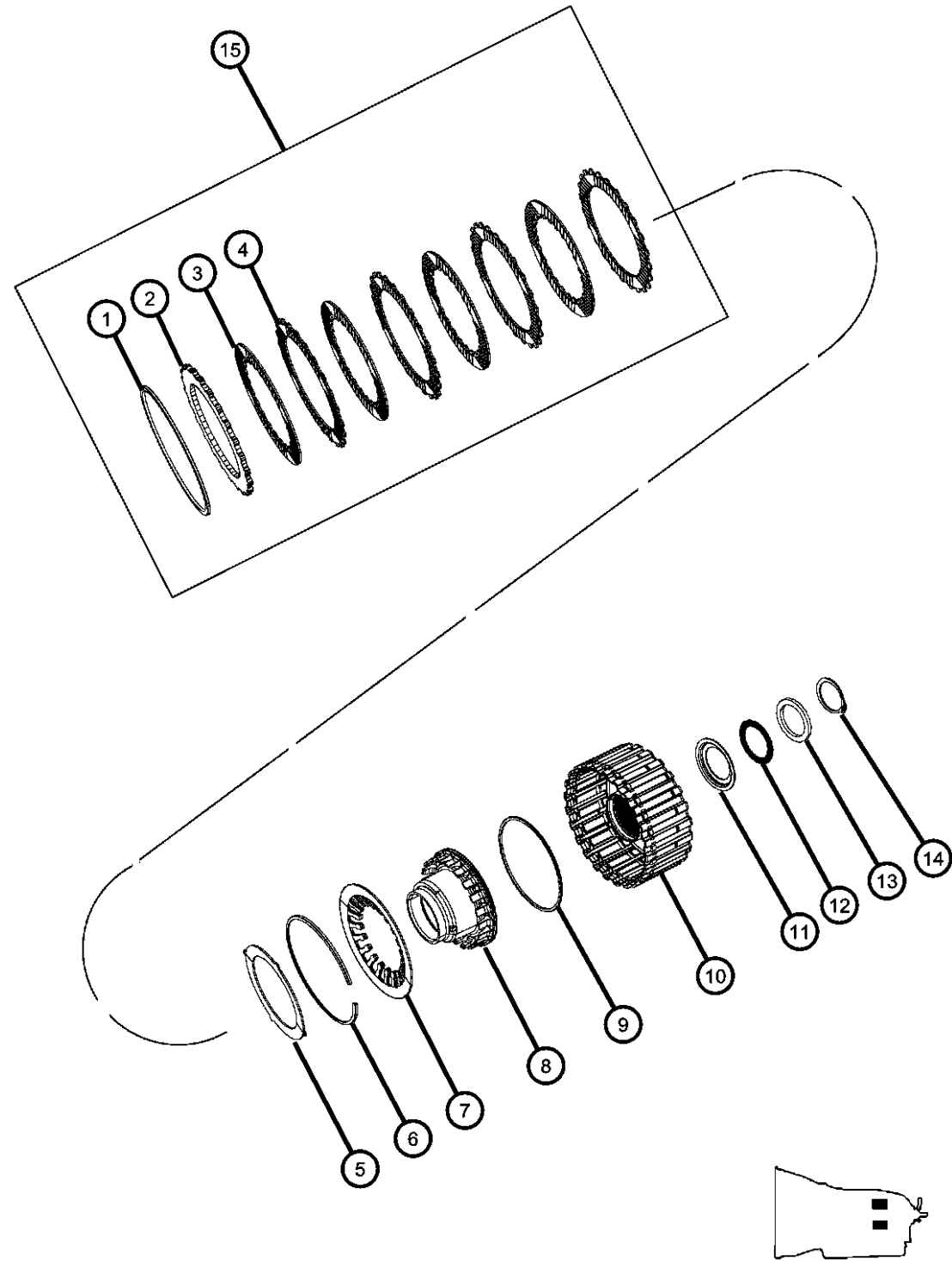
ENGINE
ERB = 3.XL Mid V6 Engine
EZH = 5.7L V8 HEMI MDS
VCT Engine

TRANSMISSION
DGJ = 5-Speed Auto W5A580
Transmission

AR = use ase required - = Non illustrated part

2011 LX

**K3 Clutch Assembly
Figure 021DGJ-529**



ITEM	PART NUMBER	QTY	LINE	SERIES	BODY	ENGINE	TRANS	TRIM	DESCRIPTION
		1	F			ERB	DGJ		
		1	C, Z			ERB	DGJ		
		1	C			EZH	DGJ		
6	52107968AA	1	F			EZH	DGJ		SNAP RING
		1	F			ERB	DGJ		
		1	C, Z			ERB	DGJ		
		1	C			EZH	DGJ		
7	52108095AA	1	F			EZH	DGJ		SPRING, Piston Return
		1	F			ERB	DGJ		
		1	C, Z			ERB	DGJ		
		1	C			EZH	DGJ		
8	52108094AA	1	F			EZH	DGJ		PISTON, K3 Clutch
		1	C			EZH	DGJ		
		1	F			ERB	DGJ		
		1	C, Z			ERB	DGJ		
9	52108093AA	1	F			EZH	DGJ		SEAL, Transmission
		1	F			ERB	DGJ		
		1	C, Z			ERB	DGJ		
		1	C			EZH	DGJ		
10	52108524AA	1	C, Z			ERB	DGJ		RETAINER, K3 Clutch
	52108548AB	1	C			EZH	DGJ		
		1	F			EZH	DGJ		
		1	F			ERB	DGJ		
11	52108148AA	1	F			EZH	DGJ		RETAINER, Bearing
		1	F			ERB	DGJ		
		1	C, Z			ERB	DGJ		
		1	C			EZH	DGJ		
12	52108152AA	1	F			EZH	DGJ		NEEDLE BEARING

MAGNUM/300/CHARGER (LX)

SERIES LINE
H = HIGHLINE C = CHRYSLER
P = PREMIUM F = EAGLE
S = SPORT

BODY
48 = SEDAN TYPE #8

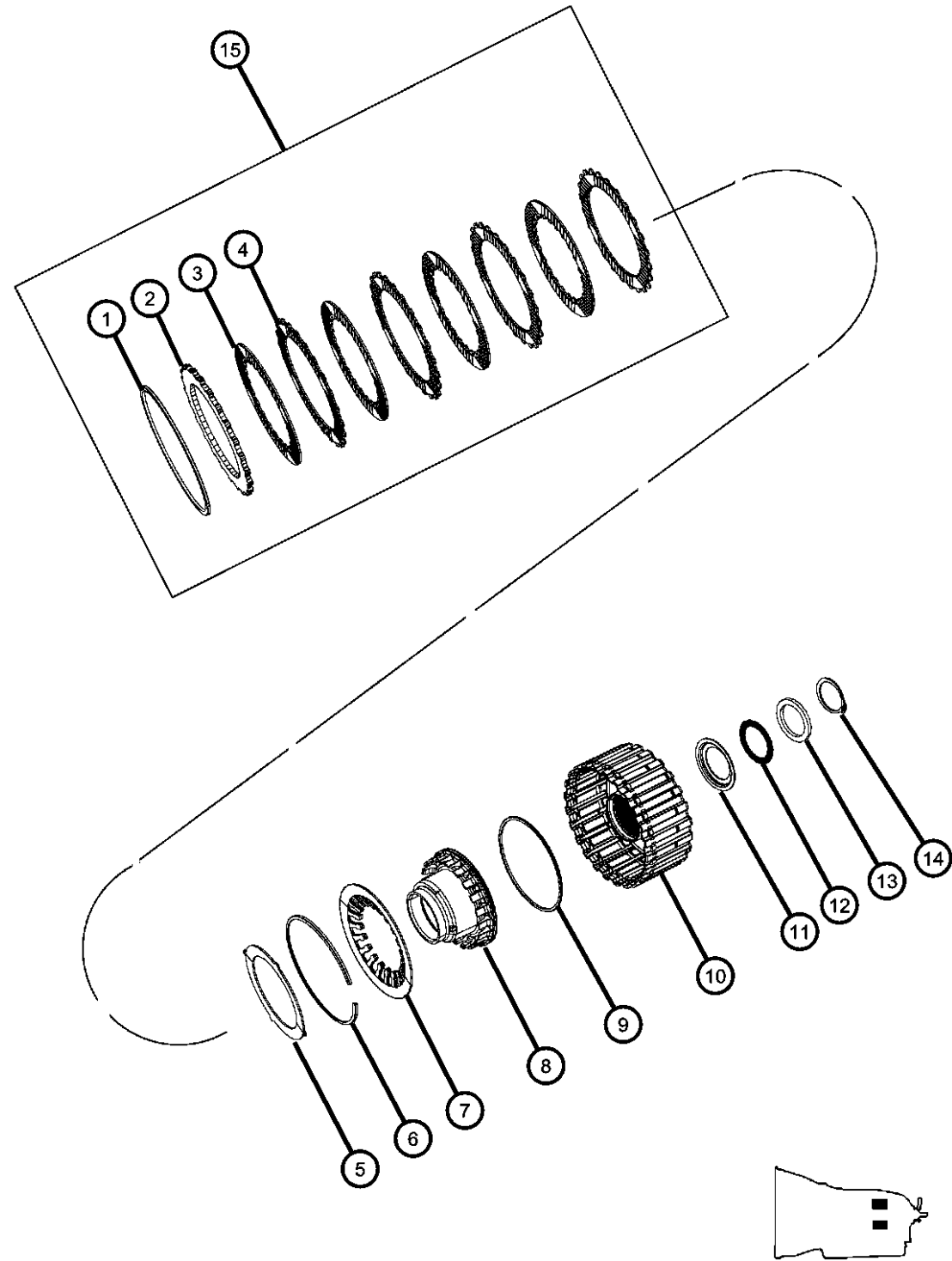
ENGINE
ERB = 3.XL Mid V6 Engine
EZH = 5.7L V8 HEMI MDS
VCT Engine

TRANSMISSION
DGJ = 5-Speed Auto W5A580
Transmission

AR = use ase required - = Non illustrated part

2011 LX

**K3 Clutch Assembly
Figure 021DGJ-529**



ITEM	PART NUMBER	QTY	LINE	SERIES	BODY	ENGINE	TRANS	TRIM	DESCRIPTION
		1	F			ERB	DGJ		
		1	C, Z			ERB	DGJ		
		1	C			EZH	DGJ		
13									SPACER
	52108149AA	AR	F			EZH	DGJ		[3.7 MM]
		AR	F			ERB	DGJ		[3.7 MM]
		AR	C			EZH	DGJ		[3.7 MM]
	52108150AA	AR	F			EZH	DGJ		[3.1 MM]
		AR	C, Z			ERB	DGJ		[3.7 MM]
		AR	C			EZH	DGJ		[3.1 MM]
	52108151AA	AR	C			EZH	DGJ		[3.4 MM]
		AR	F			ERB	DGJ		[3.1 MM]
		AR	C, Z			ERB	DGJ		[3.1 MM]
		AR	C, Z			ERB	DGJ		[3.4 MM]
		AR	F			EZH	DGJ		[3.4 MM]
		AR	F			ERB	DGJ		[3.4 MM]
14									SNAP RING, M35x2.5x1.5
	06507358AA	1	F			ERB	DGJ		
		1	C			EZH	DGJ		
		1	C, Z			ERB	DGJ		
		1	F			EZH	DGJ		
15									CLUTCH PACKAGE, K3 Input Clutch
	68028572AA	1	F			EZH	DGJ		
	68028665AA	1	F			ERB	DGJ		
		1	C, Z			ERB	DGJ		
		1	C			EZH	DGJ		

MAGNUM/300/CHARGER (LX)

SERIES LINE
H = HIGHLINE C = CHRYSLER
P = PREMIUM F = EAGLE
S = SPORT

BODY
48 = SEDAN TYPE #8

ENGINE
ERB = 3.XL Mid V6 Engine
EZH = 5.7L V8 HEMI MDS
VCT Engine

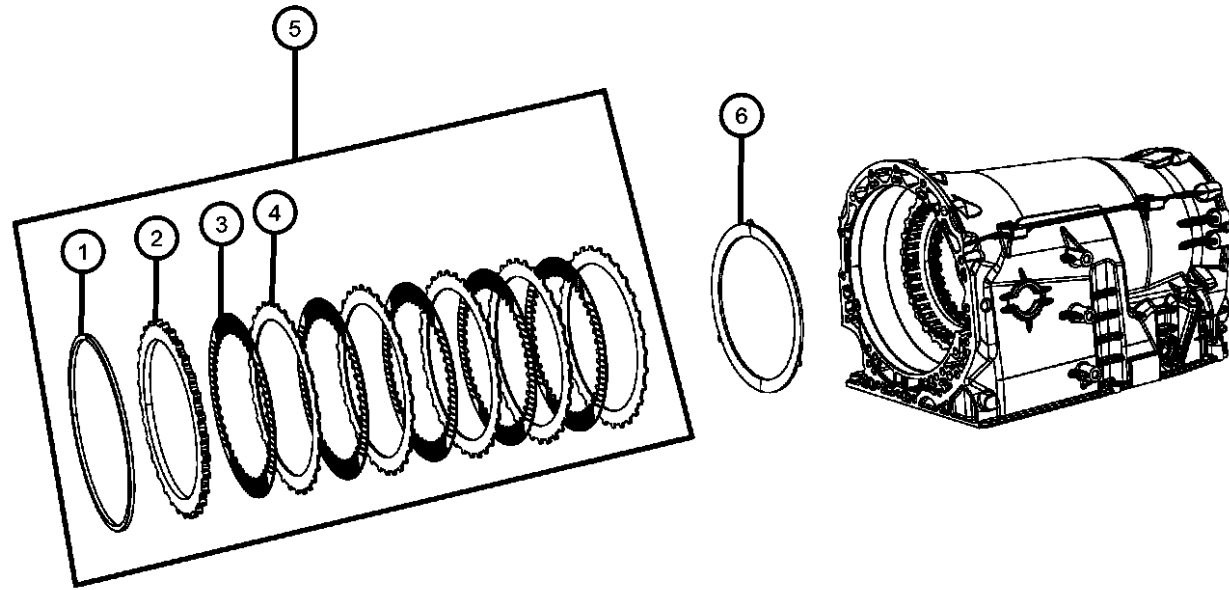
TRANSMISSION
DGJ = 5-Speed Auto W5A580
Transmission

AR = use ase required - = Non illustrated part

2011 LX

**B3 Clutch Assembly
Figure 021DGJ-530**

ITEM	PART NUMBER	QTY	LINE	SERIES	BODY	ENGINE	TRANS	TRIM	DESCRIPTION
------	-------------	-----	------	--------	------	--------	-------	------	-------------



1									SNAP RING
	52107985AA	AR	F			EZH	DGJ		[3.2 MM]
		AR	F			ERB	DGJ		[3.2 MM]
		AR	C			EZH	DGJ		[3.2 MM]
	52107986AA	AR	F			EZH	DGJ		[3.5 MM]
		AR	C, Z			ERB	DGJ		[3.2 MM]
		AR	C			EZH	DGJ		[3.5 MM]
	52107987AA	AR	C			EZH	DGJ		[3.8 MM]
		AR	F			ERB	DGJ		[3.5 MM]
	52107988AA	AR	C			EZH	DGJ		[4.1 MM]
		AR	F			EZH	DGJ		[4.1 MM]
	52107989AA	AR	F			EZH	DGJ		[4.4 MM]
		AR	C, Z			ERB	DGJ		[4.1 MM]
		AR	C			EZH	DGJ		[4.4 MM]
	52107990AA	AR	C			EZH	DGJ		[4.8 MM]
		AR	C, Z			ERB	DGJ		[3.5 MM]
		AR	C, Z			ERB	DGJ		[3.8 MM]
		AR	F			EZH	DGJ		[3.8 MM]
		AR	F			ERB	DGJ		[3.8 MM]
		AR	F			ERB	DGJ		[4.1 MM]
		AR	C, Z			ERB	DGJ		[4.4 MM]
		AR	C, Z			ERB	DGJ		[4.8 MM]
		AR	F			EZH	DGJ		[4.8 MM]
		AR	F			ERB	DGJ		[4.8 MM]
		AR	F			ERB	DGJ		[4.4 MM]

2									DISC, Outer
	52108018AA	1	F			ERB	DGJ		
		1	C			EZH	DGJ		
		1	C, Z			ERB	DGJ		
		1	F			EZH	DGJ		

3									DISC, Inner
	52108573AA	5	F			EZH	DGJ		
		5	F			ERB	DGJ		
		5	C, Z			ERB	DGJ		
		5	C			EZH	DGJ		

4									DISC, Outer
---	--	--	--	--	--	--	--	--	-------------

MAGNUM/300/CHARGER (LX)

SERIES LINE
H = HIGHLINE C = CHRYSLER
P = PREMIUM F = EAGLE
S = SPORT

BODY
48 = SEDAN TYPE #8

ENGINE
ERB = 3.XL Mid V6 Engine
EZH = 5.7L V8 HEMI MDS
VCT Engine

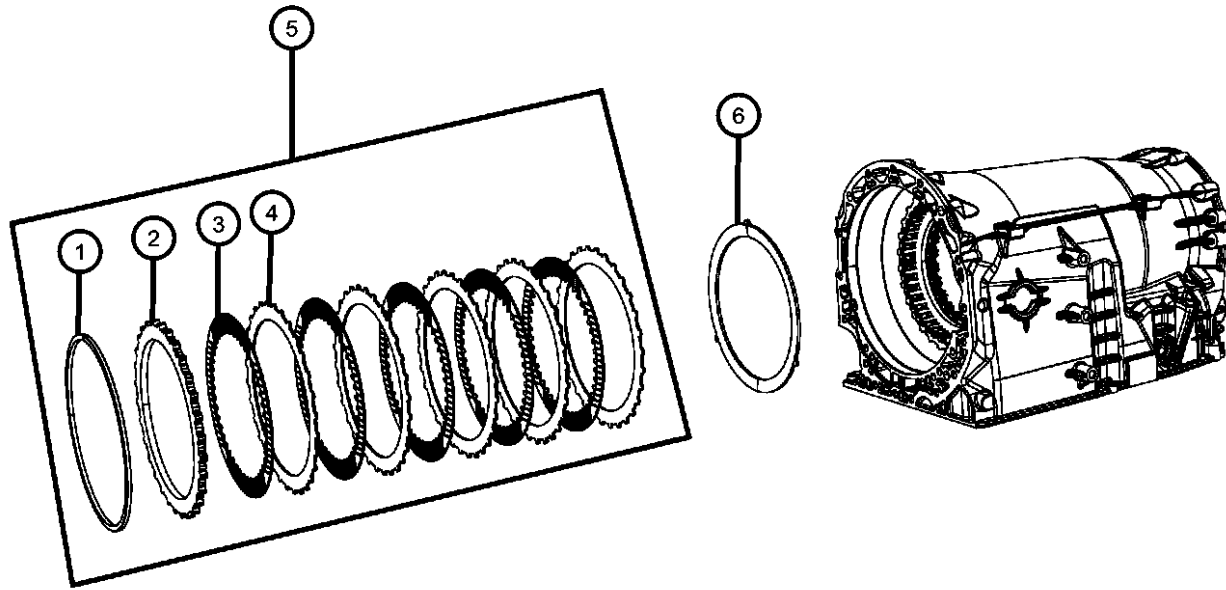
TRANSMISSION
DGJ = 5-Speed Auto W5A580
Transmission

AR = use ase required - = Non illustrated part

2011 LX

**B3 Clutch Assembly
Figure 021DGJ-530**

ITEM	PART NUMBER	QTY	LINE	SERIES	BODY	ENGINE	TRANS	TRIM	DESCRIPTION
	52108017AA	5	F			EZH	DGJ		
		5	F			ERB	DGJ		
		5	C, Z			ERB	DGJ		
		5	C			EZH	DGJ		
5									CLUTCH PACKAGE, B3 Brake Clutch Stack Up
	68028661AA	1	F			EZH	DGJ		
	68028668AA	1	C, Z			ERB	DGJ		
		1	F			ERB	DGJ		
		1	C			EZH	DGJ		
6									DISC, Spring
	52108356AA	1	F			EZH	DGJ		
		1	F			ERB	DGJ		
		1	C, Z			ERB	DGJ		
		1	C			EZH	DGJ		



MAGNUM/300/CHARGER (LX)

SERIES LINE
H = HIGHLINE C = CHRYSLER
P = PREMIUM F = EAGLE
S = SPORT

BODY
48 = SEDAN TYPE #8

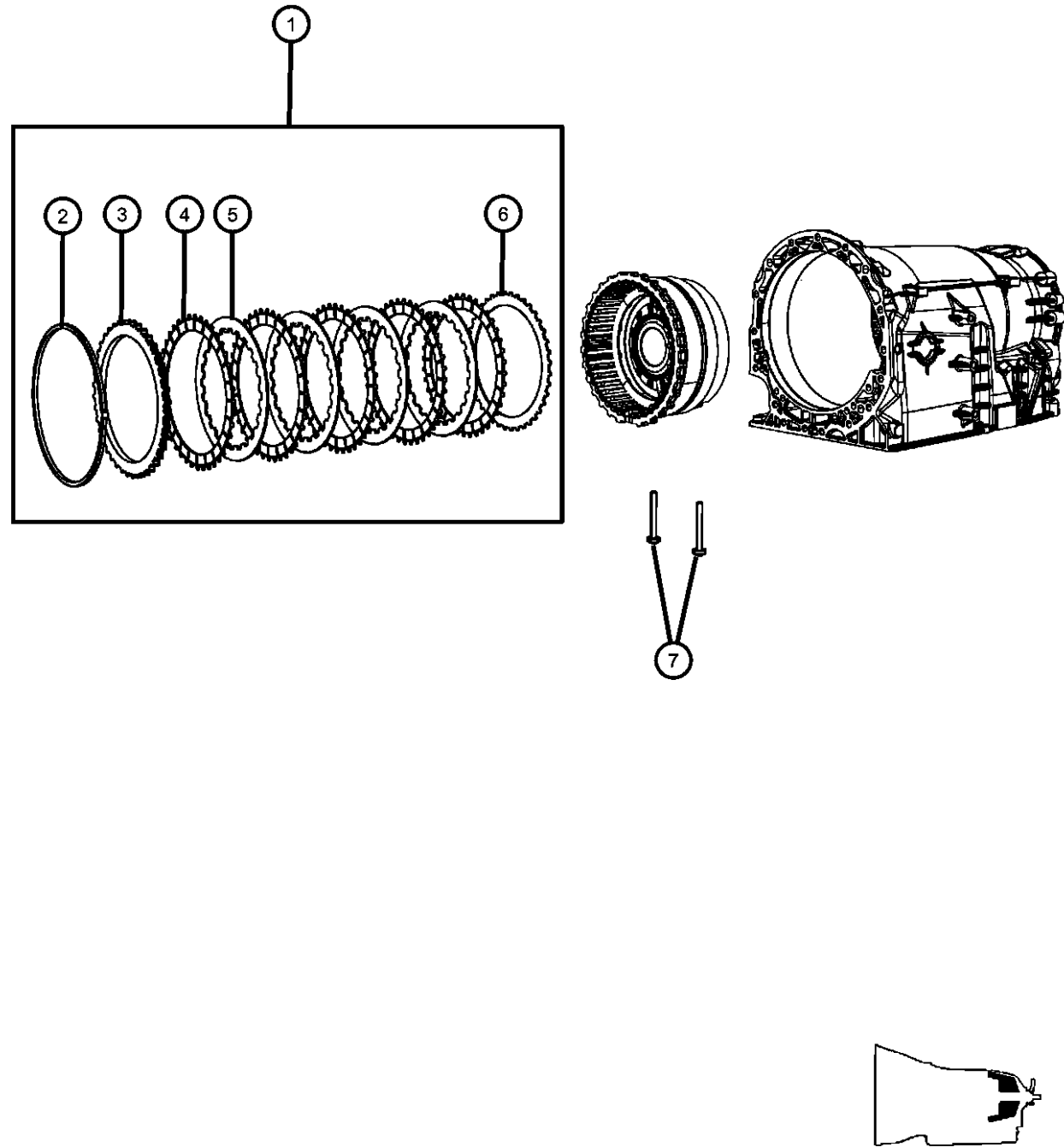
ENGINE
ERB = 3.XL Mid V6 Engine
EZH = 5.7L V8 HEMI MDS VCT Engine

TRANSMISSION
DGJ = 5-Speed Auto W5A580 Transmission

AR = use ase required - = Non illustrated part

2011 LX

**B2 Clutch Assembly
Figure 021DGJ-531**



ITEM	PART NUMBER	QTY	LINE	SERIES	BODY	ENGINE	TRANS	TRIM	DESCRIPTION
1									CLUTCH PACKAGE, B2 Brake Clutch Stack Up
	68028660AA	1	F			EZH	DGJ		
	68028667AA	1	F			ERB	DGJ		
		1	C, Z			ERB	DGJ		
		1	C			EZH	DGJ		
2									SNAP RING
	52107979AA	AR	C, Z			ERB	DGJ		[4.1 mm]
	52107980AA	AR	C			EZH	DGJ		[3.8 mm]
	52107981AA	AR	C			EZH	DGJ		[3.5 mm]
		AR	F			ERB	DGJ		[3.8 mm]
		AR	F			EZH	DGJ		[4.1 mm]
		AR	F			ERB	DGJ		[4.1 mm]
		AR	C			EZH	DGJ		[4.1 mm]
		AR	F			EZH	DGJ		[3.8 mm]
		AR	C, Z			ERB	DGJ		[3.8 mm]
		AR	C, Z			ERB	DGJ		[3.5 mm]
		AR	F			EZH	DGJ		[3.5 mm]
		AR	F			ERB	DGJ		[3.5 mm]
	52107982AA	AR	F			ERB	DGJ		[3.2 mm]
		AR	C			EZH	DGJ		[3.2 mm]
		AR	F			EZH	DGJ		[3.2 mm]
	52107983AA	AR	F			EZH	DGJ		[2.9 mm]
		AR	F			ERB	DGJ		[2.9 mm]
		AR	C, Z			ERB	DGJ		[2.9 mm]
		AR	C, Z			ERB	DGJ		[3.2 mm]
		AR	C			EZH	DGJ		[2.9 mm]
3									DISC, Outer
	52108014AA	1	C			EZH	DGJ		
		1	C, Z			ERB	DGJ		
		1	F			EZH	DGJ		
		1	F			ERB	DGJ		
4									DISC, Outer
	52108572AA	5	C			EZH	DGJ		
		5	F			ERB	DGJ		
		5	C, Z			ERB	DGJ		

MAGNUM/300/CHARGER (LX)

SERIES LINE
H = HIGHLINE C = CHRYSLER
P = PREMIUM F = EAGLE
S = SPORT

BODY
48 = SEDAN TYPE #8

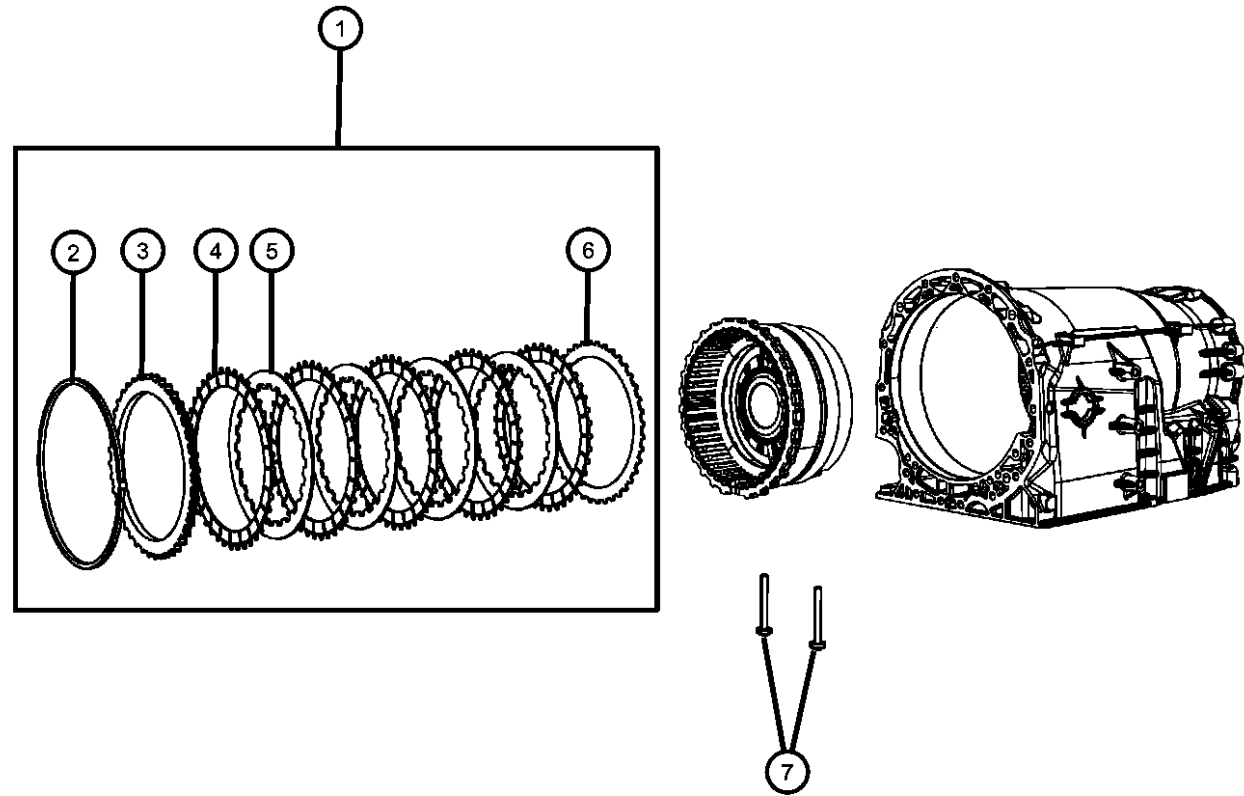
ENGINE
ERB = 3.XL Mid V6 Engine
EZH = 5.7L V8 HEMI MDS VCT Engine

TRANSMISSION
DGJ = 5-Speed Auto W5A580 Transmission

AR = use ase required - = Non illustrated part

2011 LX

**B2 Clutch Assembly
Figure 021DGJ-531**



ITEM	PART NUMBER	QTY	LINE	SERIES	BODY	ENGINE	TRANS	TRIM	DESCRIPTION
5	52108015AA	5	F			EZH	DGJ		DISC, Inner
		4	C			EZH	DGJ		
		4	F			ERB	DGJ		
		4	C, Z			ERB	DGJ		
		4	F			EZH	DGJ		
6	52108013AA	1	C			EZH	DGJ		DISC, Outer
		1	F			ERB	DGJ		
		1	C, Z			ERB	DGJ		
		1	F			EZH	DGJ		
		1	F			EZH	DGJ		
7	52108205AA	2	C			EZH	DGJ		BOLT, Torx Head, M8x60
		2	F			ERB	DGJ		
		2	C, Z			ERB	DGJ		
		2	F			EZH	DGJ		
		2	F			EZH	DGJ		



MAGNUM/300/CHARGER (LX)

SERIES LINE
H = HIGHLINE C = CHRYSLER
P = PREMIUM F = EAGLE
S = SPORT

BODY
48 = SEDAN TYPE #8

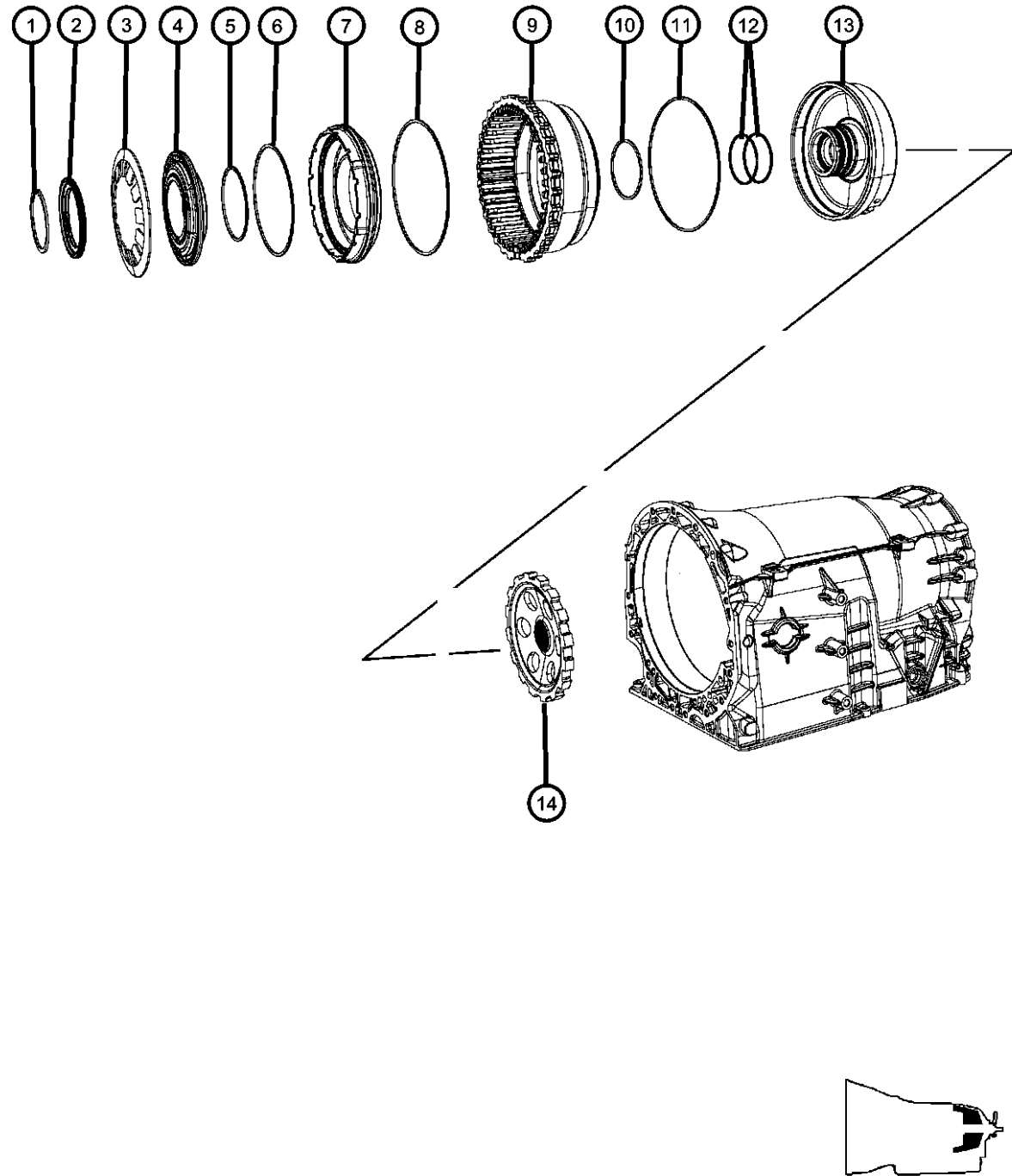
ENGINE
ERB = 3.XL Mid V6 Engine
EZH = 5.7L V8 HEMI MDS
VCT Engine

TRANSMISSION
DGJ = 5-Speed Auto W5A580
Transmission

AR = use ase required - = Non illustrated part

2011 LX

**B2 Clutch Assembly
Figure 021DGJ-532**



ITEM	PART NUMBER	QTY	LINE	SERIES	BODY	ENGINE	TRANS	TRIM	DESCRIPTION
1	52107977AA	1	C			EZH	DGJ		SNAP RING
		1	F			ERB	DGJ		
		1	C, Z			ERB	DGJ		
		1	F			EZH	DGJ		
2	52108203AA	1	C			EZH	DGJ		RETAINER, Spring
		1	F			ERB	DGJ		
		1	C, Z			ERB	DGJ		
		1	F			EZH	DGJ		
3	52108202AA	1	C			EZH	DGJ		SPRING, Piston Return
		1	F			ERB	DGJ		
		1	C, Z			ERB	DGJ		
		1	F			EZH	DGJ		
4	52108351AB	1	C			EZH	DGJ		RING ASSEMBLY, Piston guide
		1	F			ERB	DGJ		
		1	C, Z			ERB	DGJ		
		1	F			EZH	DGJ		
5	52108201AA	1	C			EZH	DGJ		SEAL, Transmission
		1	F			ERB	DGJ		
		1	C, Z			ERB	DGJ		
		1	F			EZH	DGJ		
6	52108200AA	1	C			EZH	DGJ		SEAL, Transmission
		1	F			ERB	DGJ		
		1	C, Z			ERB	DGJ		
		1	F			EZH	DGJ		
7	52108191AA	1	C			EZH	DGJ		PISTON, B2 Clutch
		1	F			ERB	DGJ		
		1	C, Z			ERB	DGJ		
		1	F			EZH	DGJ		
8								SEAL, Transmission	

MAGNUM/300/CHARGER (LX)

SERIES LINE
H = HIGHLINE C = CHRYSLER
P = PREMIUM F = EAGLE
S = SPORT

BODY
48 = SEDAN TYPE #8

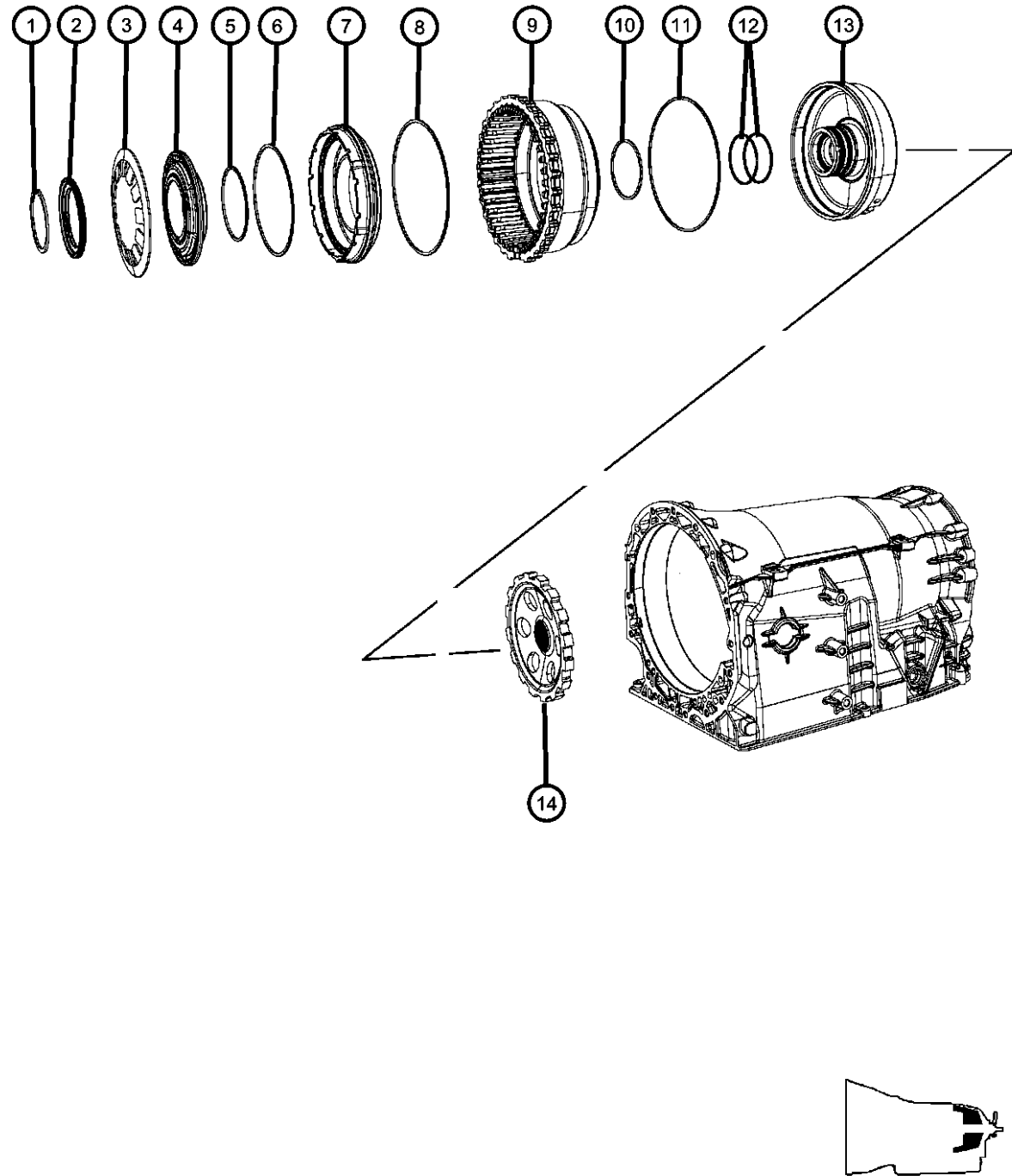
ENGINE
ERB = 3.XL Mid V6 Engine
EZH = 5.7L V8 HEMI MDS
VCT Engine

TRANSMISSION
DGJ = 5-Speed Auto W5A580
Transmission

AR = use ase required - = Non illustrated part

2011 LX

**B2 Clutch Assembly
Figure 021DGJ-532**



ITEM	PART NUMBER	QTY	LINE	SERIES	BODY	ENGINE	TRANS	TRIM	DESCRIPTION
	52108199AA	1	C			EZH	DGJ		
		1	F			ERB	DGJ		
		1	C, Z			ERB	DGJ		
		1	F			EZH	DGJ		
9	52108395AA	1	C			EZH	DGJ		RETAINER, Clutch
		1	F			ERB	DGJ		
		1	C, Z			ERB	DGJ		
		1	F			EZH	DGJ		
10	52108189AA	1	C			EZH	DGJ		SEAL, Transmission
		1	F			ERB	DGJ		
		1	C, Z			ERB	DGJ		
		1	F			EZH	DGJ		
11	52108188AA	1	C			EZH	DGJ		SEAL, Transmission
		1	F			ERB	DGJ		
		1	F			EZH	DGJ		
		1	C, Z			ERB	DGJ		
12	52108185AA	2	C			EZH	DGJ		O RING
		2	F			ERB	DGJ		
		2	C, Z			ERB	DGJ		
		2	F			EZH	DGJ		
13	52108182AA	1	C			EZH	DGJ		PLUNGER
		1	F			ERB	DGJ		
		1	C, Z			ERB	DGJ		
		1	F			EZH	DGJ		
14	52108180AA	1	C			EZH	DGJ		SPRAG, Transmission Parking
		1	F			ERB	DGJ		
		1	C, Z			ERB	DGJ		
		1	F			EZH	DGJ		

MAGNUM/300/CHARGER (LX)

SERIES LINE
H = HIGHLINE C = CHRYSLER
P = PREMIUM F = EAGLE
S = SPORT

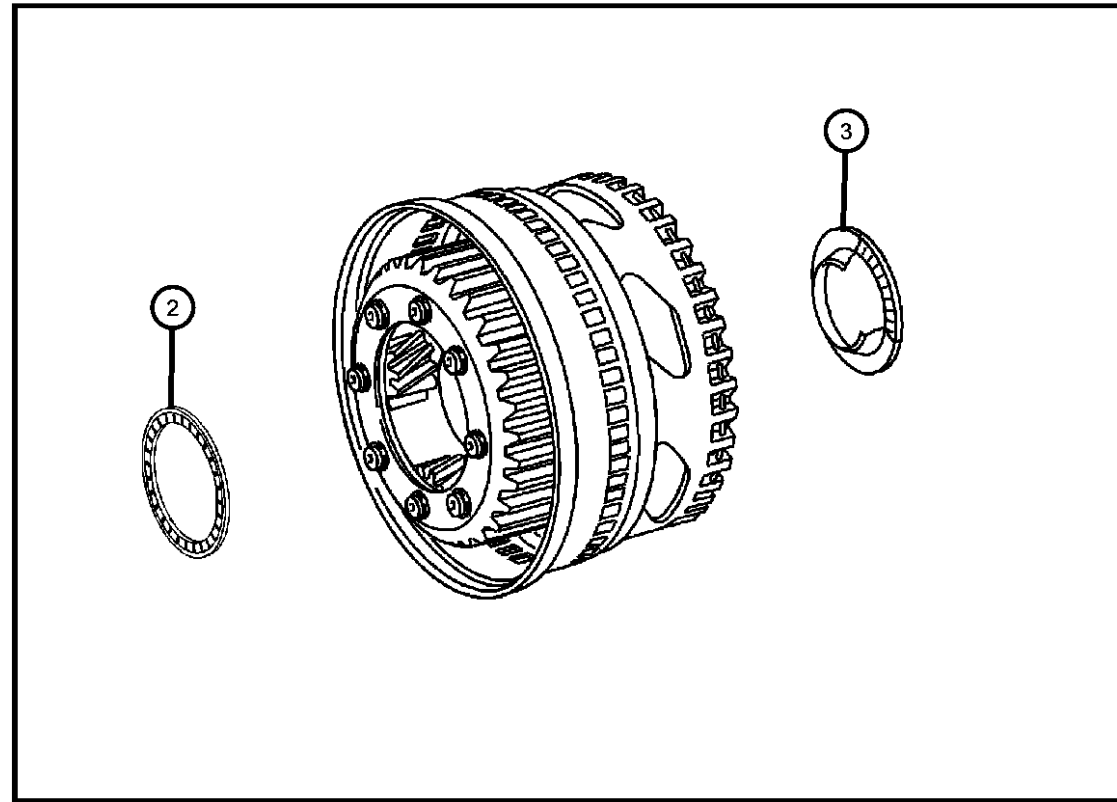
BODY
48 = SEDAN TYPE #8

ENGINE
ERB = 3.XL Mid V6 Engine
EZH = 5.7L V8 HEMI MDS
VCT Engine

TRANSMISSION
DGJ = 5-Speed Auto W5A580
Transmission

AR = use ase required - = Non illustrated part

Front Planetary Carrier
Figure 021DGJ-611



1



ITEM	PART NUMBER	QTY	LINE	SERIES	BODY	ENGINE	TRANS	TRIM	DESCRIPTION
1	52108513AA	1	C			EZH	DGJ		CARRIER, Planetary
		1	F			ERB	DGJ		
		1	C, Z			ERB	DGJ		
		1	F			EZH	DGJ		
2	52108122AA	1	C			EZH	DGJ		NEEDLE BEARING
		1	F			ERB	DGJ		
		1	C, Z			ERB	DGJ		
		1	F			EZH	DGJ		
3	52108123AA	1	C			EZH	DGJ		NEEDLE BEARING
		1	F			ERB	DGJ		
		1	C, Z			ERB	DGJ		
		1	F			EZH	DGJ		

MAGNUM/300/CHARGER (LX)

SERIES LINE
H = HIGHLINE C = CHRYSLER
P = PREMIUM F = EAGLE
S = SPORT

BODY
48 = SEDAN TYPE #8

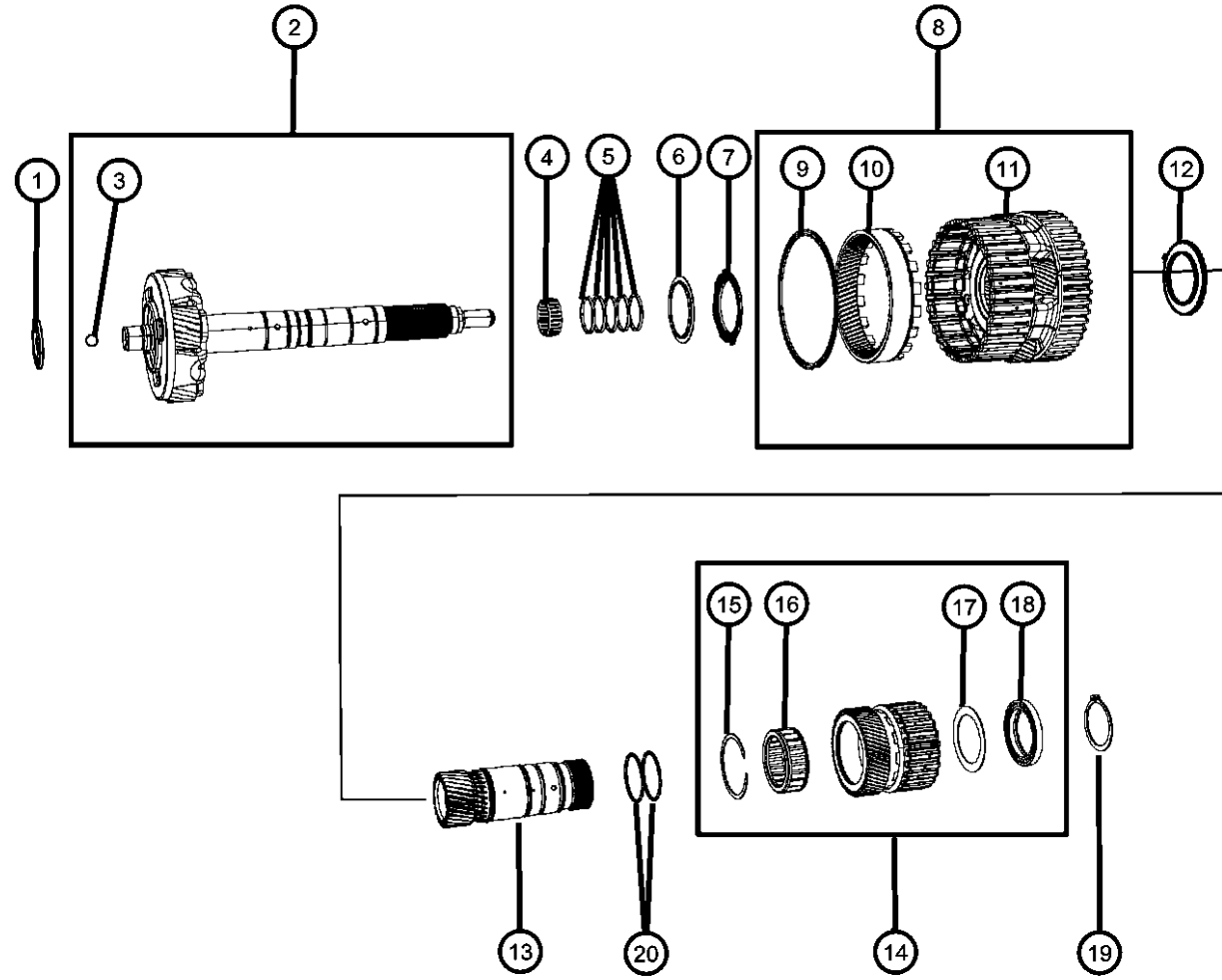
ENGINE
ERB = 3.XL Mid V6 Engine
EZH = 5.7L V8 HEMI MDS
VCT Engine

TRANSMISSION
DGJ = 5-Speed Auto W5A580
Transmission

AR = use ase required - = Non illustrated part

2011 LX

**Output Shaft With Center And Rear Planetary Gear Sets
Figure 021DGJ-612**



ITEM	PART NUMBER	QTY	LINE	SERIES	BODY	ENGINE	TRANS	TRIM	DESCRIPTION
1	52107927AA	1	C			EZH	DGJ		NEEDLE BEARING
		1	F			ERB	DGJ		
		1	C, Z			ERB	DGJ		
		1	F			EZH	DGJ		
2	52107929AB	1	C			EZH	DGJ		SHAFT, Output
		1	C, Z			ERB	DGJ		
		1	F			EZH	DGJ		
		1	F			ERB	DGJ		
3	52108390AA	1	C			EZH	DGJ		BALL, Check
		1	F			ERB	DGJ		
		1	C, Z			ERB	DGJ		
		1	F			EZH	DGJ		
4	52108069AA	1	C			EZH	DGJ		NEEDLE BEARING
		1	F			ERB	DGJ		
		1	C, Z			ERB	DGJ		
		1	F			EZH	DGJ		
5	05179367AA	5	C			EZH	DGJ		SEAL, Transmission
		5	F			ERB	DGJ		
		5	C, Z			ERB	DGJ		
		5	F			EZH	DGJ		
6	52108070AA	1	C			EZH	DGJ		RETAINER, Bearing
		1	F			ERB	DGJ		
		1	C, Z			ERB	DGJ		
		1	F			EZH	DGJ		
7	52107931AA	1	C			EZH	DGJ		NEEDLE BEARING
		1	F			ERB	DGJ		
		1	C, Z			ERB	DGJ		
		1	F			EZH	DGJ		
8								CARRIER ASSEMBLY, Planetary	

MAGNUM/300/CHARGER (LX)

SERIES LINE
H = HIGHLINE C = CHRYSLER
P = PREMIUM F = EAGLE
S = SPORT

BODY
48 = SEDAN TYPE #8

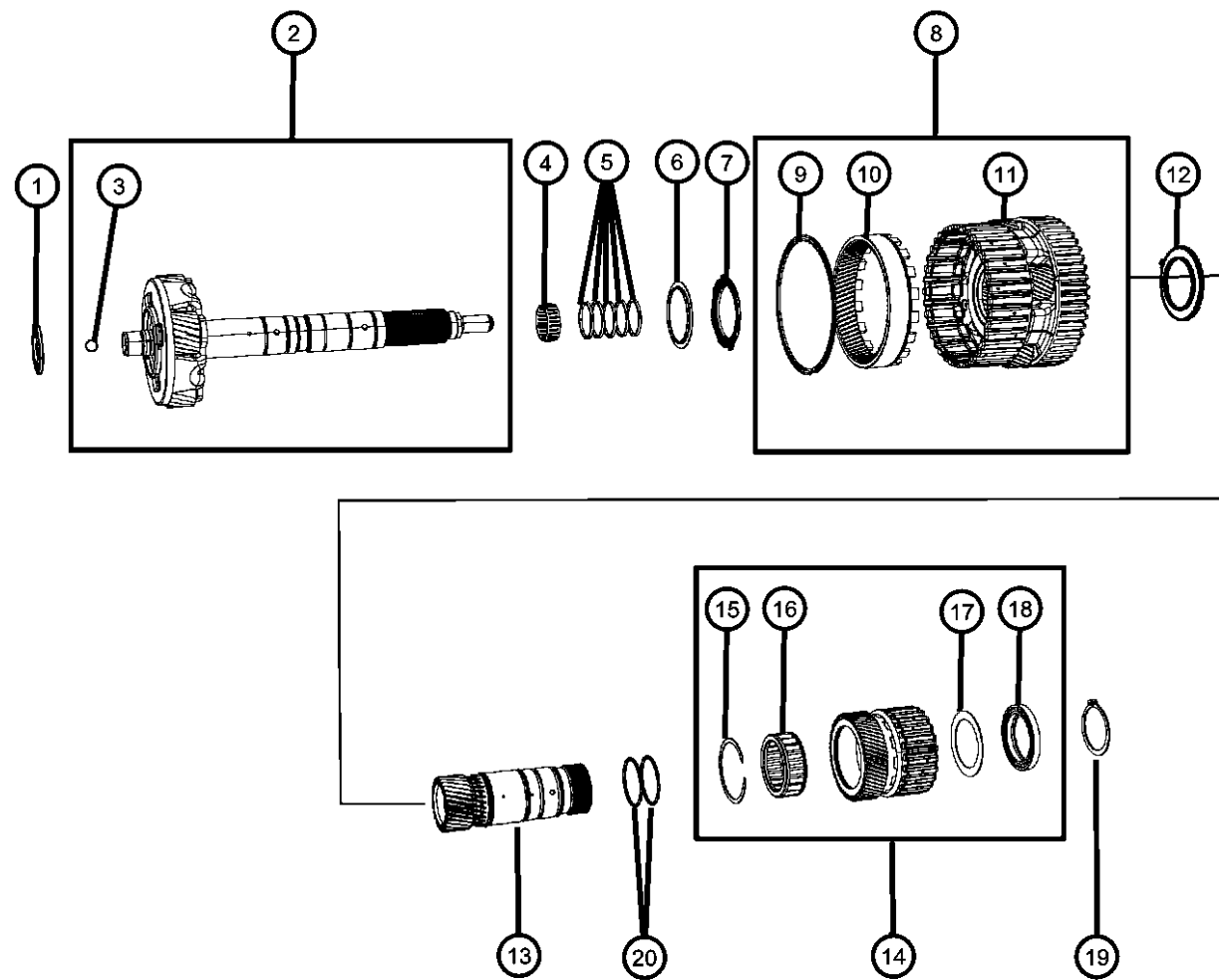
ENGINE
ERB = 3.XL Mid V6 Engine
EZH = 5.7L V8 HEMI MDS
VCT Engine

TRANSMISSION
DGJ = 5-Speed Auto W5A580
Transmission

AR = use ase required - = Non illustrated part

2011 LX

Output Shaft With Center And Rear Planetary Gear Sets
Figure 021DGJ-612



ITEM	PART NUMBER	QTY	LINE	SERIES	BODY	ENGINE	TRANS	TRIM	DESCRIPTION
	52108071AA	1	C			EZH	DGJ		
		1	F			ERB	DGJ		
		1	C, Z			ERB	DGJ		
		1	F			EZH	DGJ		
9	52108374AA	1	C			EZH	DGJ		SNAP RING
		1	F			ERB	DGJ		
		1	C, Z			ERB	DGJ		
		1	F			EZH	DGJ		
10	52108376AA	1	C, Z			ERB	DGJ		GEAR, Annulus
		1	C			EZH	DGJ		
		1	F			EZH	DGJ		
		1	F			ERB	DGJ		
11	52108072AA	1	C			EZH	DGJ		CARRIER, Planetary
		1	F			ERB	DGJ		
		1	C, Z			ERB	DGJ		
		1	F			EZH	DGJ		
12	52107932AA	1	C			EZH	DGJ		NEEDLE BEARING
		1	F			ERB	DGJ		
		1	C, Z			ERB	DGJ		
		1	F			EZH	DGJ		
13	52108078AA	1	C			EZH	DGJ		GEAR, Sun
		1	F			ERB	DGJ		
		1	C, Z			ERB	DGJ		
		1	F			EZH	DGJ		
14	52108519AC	1	C			EZH	DGJ		SUN GEAR ASSEMBLY
		1	F			ERB	DGJ		
		1	C, Z			ERB	DGJ		
		1	F			EZH	DGJ		
15									SNAP RING

MAGNUM/300/CHARGER (LX)
 SERIES LINE
 H = HIGHLINE C = CHRYSLER
 P = PREMIUM F = EAGLE
 S = SPORT

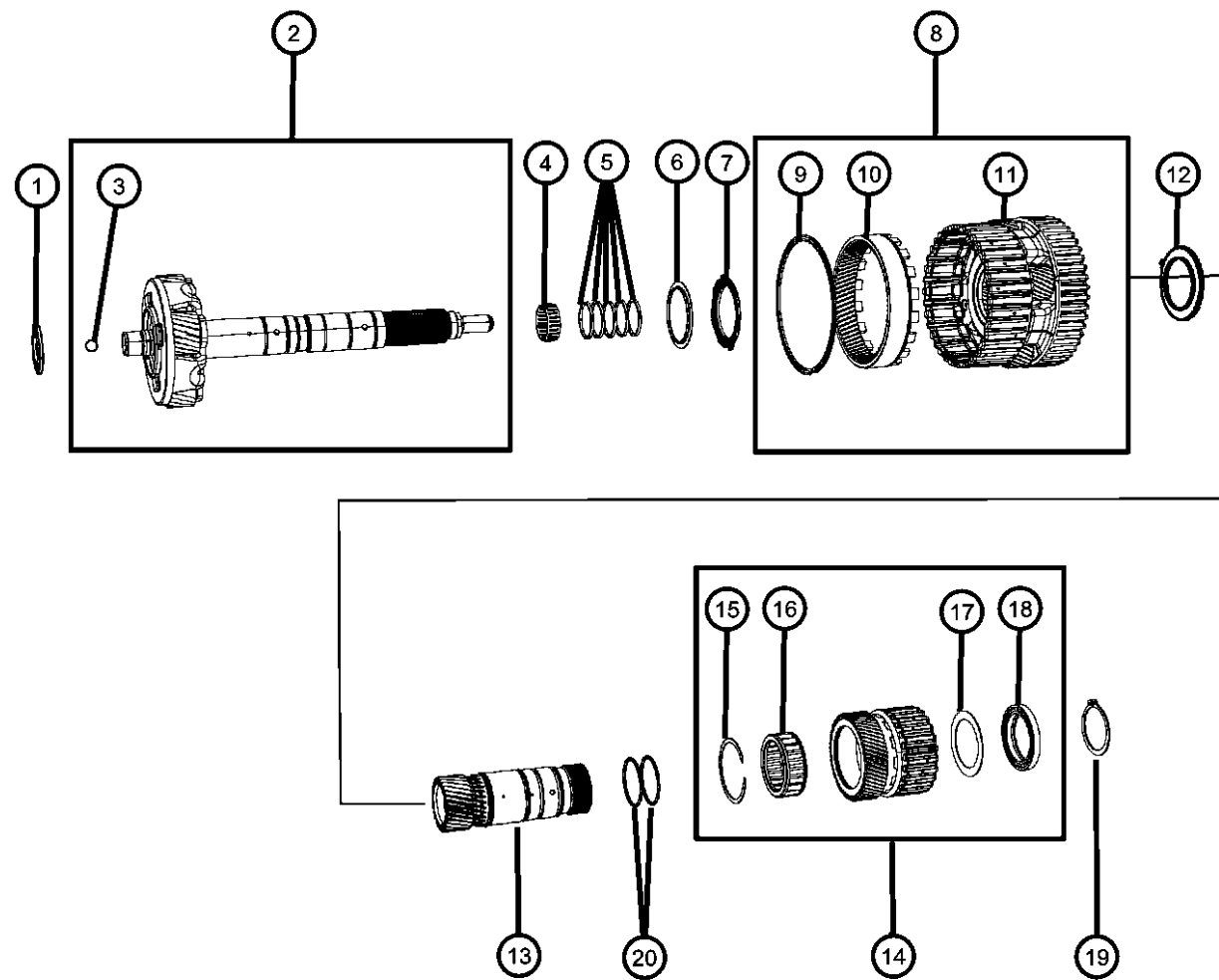
BODY
 48 = SEDAN TYPE #8

ENGINE
 ERB = 3.XL Mid V6 Engine
 EZH = 5.7L V8 HEMI MDS
 VCT Engine

TRANSMISSION
 DGJ = 5-Speed Auto W5A580
 Transmission

AR = use ase required - = Non illustrated part

**Output Shaft With Center And Rear Planetary Gear Sets
Figure 021DGJ-612**



ITEM	PART NUMBER	QTY	LINE	SERIES	BODY	ENGINE	TRANS	TRIM	DESCRIPTION
	52107966AA	1	C			EZH	DGJ		
		1	F			ERB	DGJ		
		1	C, Z			ERB	DGJ		
		1	F			EZH	DGJ		
16	52108522AB	1	C			EZH	DGJ		CLUTCH, One Way
		1	F			ERB	DGJ		
		1	C, Z			ERB	DGJ		
		1	F			EZH	DGJ		
17	52108379AA	1	C			EZH	DGJ		SPACER
		1	F			ERB	DGJ		
		1	C, Z			ERB	DGJ		
		1	F			EZH	DGJ		
18	52108084AA	1	C			EZH	DGJ		BEARING, Ball
		1	F			ERB	DGJ		
		1	C, Z			ERB	DGJ		
		1	F			EZH	DGJ		
19	52107967AA	1	C			EZH	DGJ		SNAP RING
		1	F			ERB	DGJ		
		1	C, Z			ERB	DGJ		
		1	F			EZH	DGJ		
20	52108085AA	2	C			EZH	DGJ		O RING
		2	F			ERB	DGJ		
		2	C, Z			ERB	DGJ		
		2	F			EZH	DGJ		

MAGNUM/300/CHARGER (LX)

SERIES	LINE	BODY	ENGINE	TRANSMISSION
H = HIGHLINE	C = CHRYSLER	48 = SEDAN TYPE #8	ERB = 3.XL Mid V6 Engine	DGJ = 5-Speed Auto W5A580
P = PREMIUM	F = EAGLE		EZH = 5.7L V8 HEMI MDS	Transmission
S = SPORT			VCT Engine	

AR = use ase required - = Non illustrated part

Valve Body And Related Parts
Figure 021DGJ-825

ITEM	PART NUMBER	QTY	LINE	SERIES	BODY	ENGINE	TRANS	TRIM	DESCRIPTION
1	52108213AB	1	F			ERP	DGJ		VALVE BODY, Complete
		1	C			EZD	DGJ		
		1	F			EZD	DGJ		
		1	C, Z			ERP	DGJ		
2	52108268AA	2	C			EZH	DGJ		BOLT, Torx Head, M6x80
		2	F			ERB	DGJ		
		2	C, Z			ERB	DGJ		
		2	F			EZH	DGJ		
3	52108269AA	1	F			ERB	DGJ		BOLT, Torx Head, M6x55
		1	C, Z			ERB	DGJ		
		1	C			EZH	DGJ		
		1	F			EZH	DGJ		
4	52108315AA	3	F			EZH	DGJ		PLATE
		3	F			ERB	DGJ		
		3	C, Z			ERB	DGJ		
		3	C			EZH	DGJ		
5	52108314AA	1	F			EZH	DGJ		SOLENOID, Transmission, Torque Converter Clutch
		1	F			ERB	DGJ		
		1	C, Z			ERB	DGJ		
		1	C			EZH	DGJ		
6	05189057AA	3	F			EZH	DGJ		SOLENOID, Transmission, Shift ON/OFF
		3	F			ERB	DGJ		
		3	C, Z			ERB	DGJ		
		3	C			EZH	DGJ		
7	05134761AA	3	F			EZH	DGJ		CAP, Solenoid
		3	F			ERB	DGJ		
		3	C, Z			ERB	DGJ		
		3	C			EZH	DGJ		

MAGNUM/300/CHARGER (LX)

SERIES LINE
H = HIGHLINE C = CHRYSLER
P = PREMIUM F = EAGLE
S = SPORT

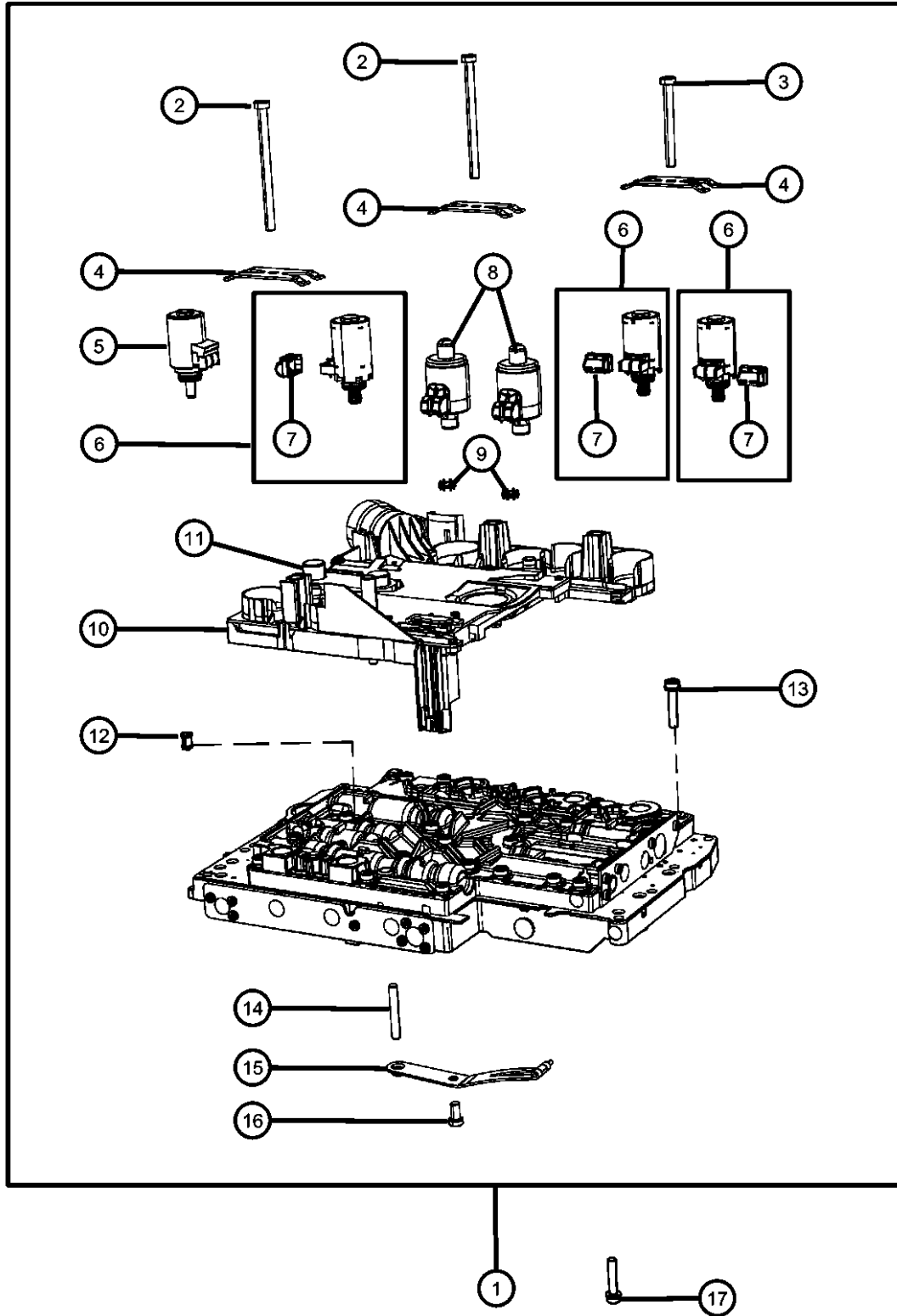
BODY
48 = SEDAN TYPE #8

ENGINE
ERB = 3.XL Mid V6 Engine
EZH = 5.7L V8 HEMI MDS VCT Engine

TRANSMISSION
DGJ = 5-Speed Auto W5A580 Transmission

AR = use ase required - = Non illustrated part

2011 LX



Valve Body And Related Parts
Figure 021DGJ-825

ITEM	PART NUMBER	QTY	LINE	SERIES	BODY	ENGINE	TRANS	TRIM	DESCRIPTION
8	05138838AA	2	F			EZH	DGJ		SOLENOID, Transmission, Shift Pressure
		2	F			ERB	DGJ		
		2	C, Z			ERB	DGJ		
		2	C			EZH	DGJ		
9	52108316AA	2	F			EZH	DGJ		FILTER, Transmission Oil
		2	F			ERB	DGJ		
		2	C, Z			ERB	DGJ		
		2	C			EZH	DGJ		
10	52108308AC	1	F			EZH	DGJ		CONNECTOR ASSEMBLY, Electrical
		1	F			ERB	DGJ		
		1	C, Z			ERB	DGJ		
		1	C			EZH	DGJ		
11		1							SENSOR, Speed, (NOT SERVICED)
12	52108304AA	2	F			EZH	DGJ		FILTER, Transmission Oil
		2	F			ERB	DGJ		
		2	C, Z			ERB	DGJ		
		2	C			EZH	DGJ		
13	52108267AA	10	F			EZH	DGJ		BOLT, Torx Head, M6x30
		29	F			ERB	DGJ		
		10	C, Z			ERB	DGJ		
		10	C			EZH	DGJ		
14	05098951AA	1	F			EZH	DGJ		DOWEL
		1	F			ERB	DGJ		
		1	C, Z			ERB	DGJ		
		1	C			EZH	DGJ		
15	52108258AA	1	F			EZH	DGJ		DETENT, Valve Body
		1	F			ERB	DGJ		

MAGNUM/300/CHARGER (LX)

SERIES LINE
H = HIGHLINE C = CHRYSLER
P = PREMIUM F = EAGLE
S = SPORT

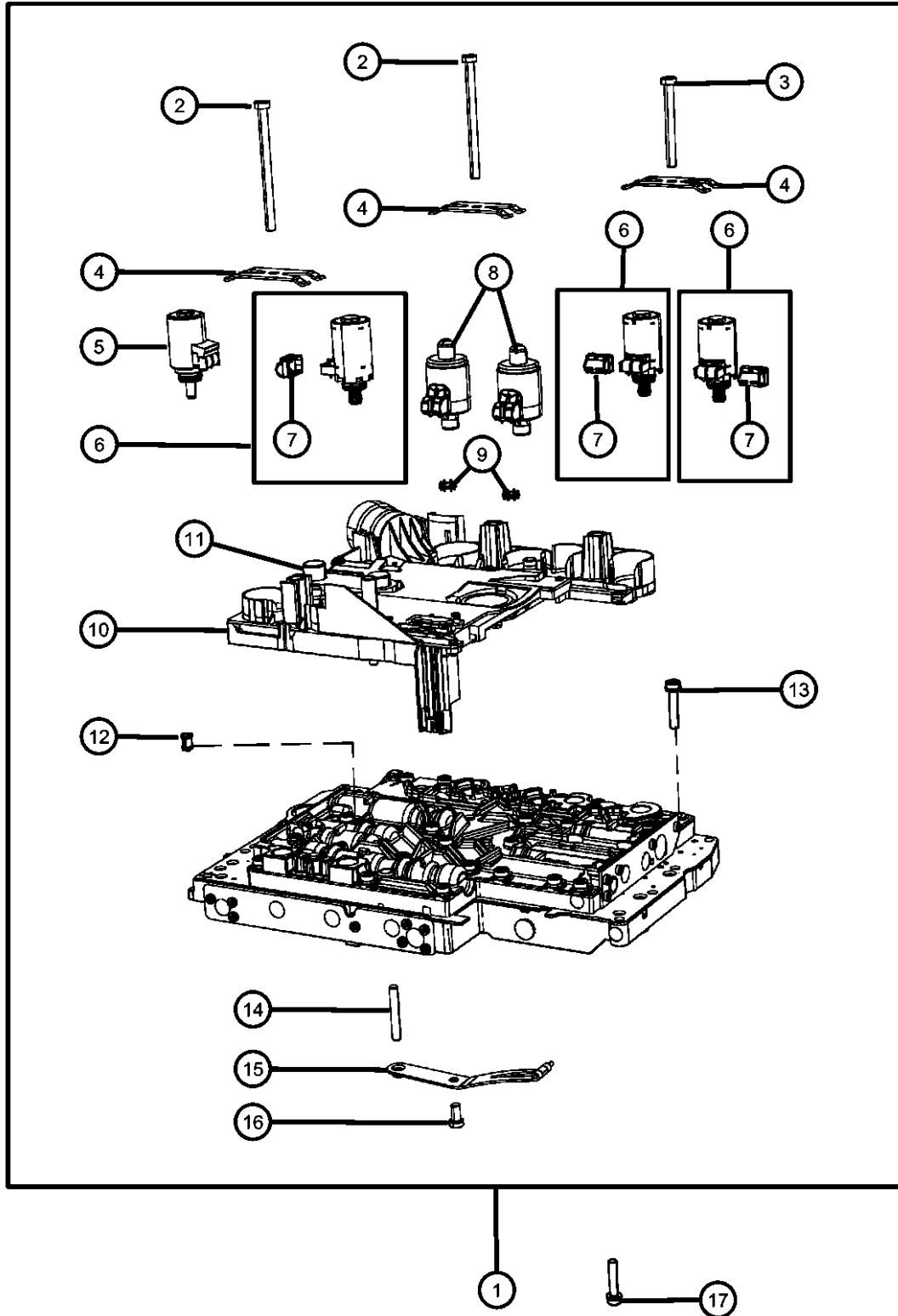
BODY
48 = SEDAN TYPE #8

ENGINE
ERB = 3.XL Mid V6 Engine
EZH = 5.7L V8 HEMI MDS VCT Engine

TRANSMISSION
DGJ = 5-Speed Auto W5A580 Transmission

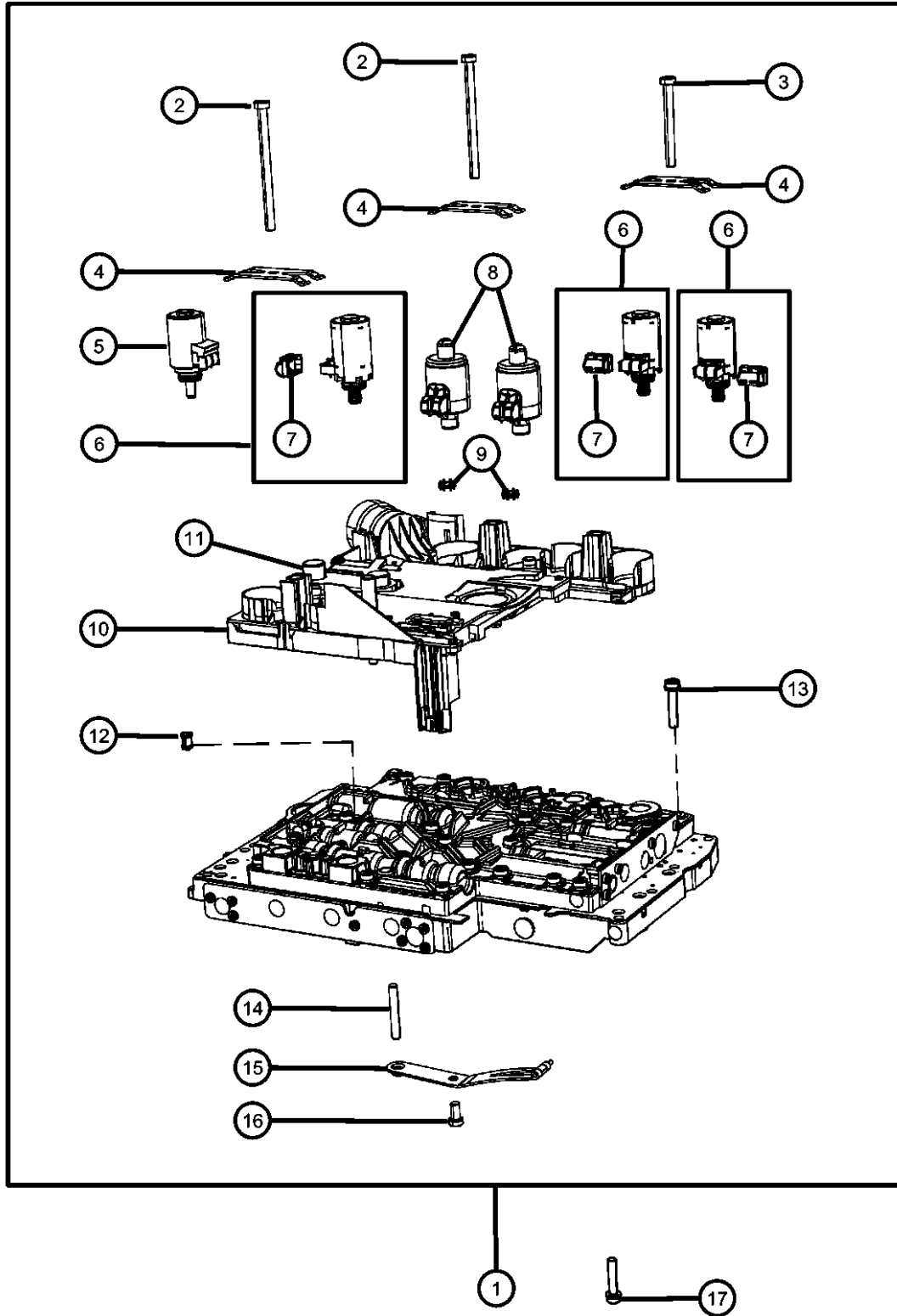
AR = use ase required - = Non illustrated part

2011 LX



Valve Body And Related Parts
Figure 021DGJ-825

ITEM	PART NUMBER	QTY	LINE	SERIES	BODY	ENGINE	TRANS	TRIM	DESCRIPTION
16	52108266AB	1	C, Z			ERB	DGJ		BOLT, Torx Head, M6x12
		1	C			EZH	DGJ		
17	52108267AA	1	C			EZH	DGJ		BOLT, Torx Head, M6x30
		1	C, Z			ERB	DGJ		
		1	F			EZH	DGJ		
		1	F			ERB	DGJ		
		10	F			EZH	DGJ		
		10	F			ERB	DGJ		
		10	C, Z			ERB	DGJ		
		10	C			EZH	DGJ		



MAGNUM/300/CHARGER (LX)

SERIES LINE
H = HIGHLINE C = CHRYSLER
P = PREMIUM F = EAGLE
S = SPORT

BODY
48 = SEDAN TYPE #8

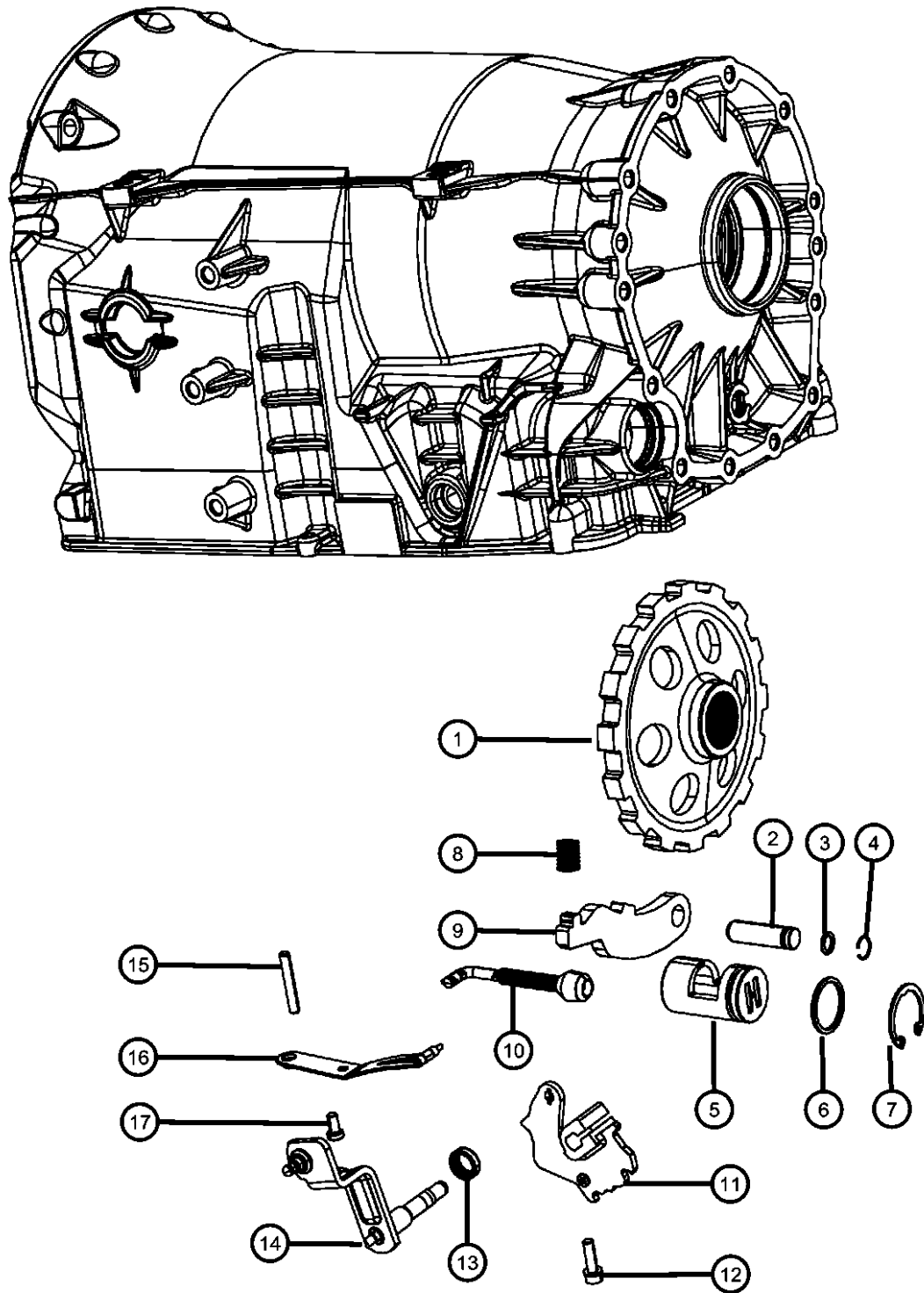
ENGINE
ERB = 3.XL Mid V6 Engine
EZH = 5.7L V8 HEMI MDS
VCT Engine

TRANSMISSION
DGJ = 5-Speed Auto W5A580
Transmission

AR = use ase required - = Non illustrated part

**Parking Sprag And Related Parts
Figure 021DGJ-860**

ITEM	PART NUMBER	QTY	LINE	SERIES	BODY	ENGINE	TRANS	TRIM	DESCRIPTION
1	52108180AA	1	F			EZH	DGJ		SPRAG, Transmission Parking
		1	F			ERB	DGJ		
		1	C, Z			ERB	DGJ		
		1	C			EZH	DGJ		
2	52108155AA	1	F			EZH	DGJ		SHAFT, Parking Pawl
		1	F			ERB	DGJ		
		1	C, Z			ERB	DGJ		
		1	C			EZH	DGJ		
3	52108156AB	1	F			EZH	DGJ		O RING
		1	F			ERB	DGJ		
		1	C, Z			ERB	DGJ		
		1	C			EZH	DGJ		
4	52107975AA	1	F			EZH	DGJ		SNAP RING
		1	F			ERB	DGJ		
		1	C, Z			ERB	DGJ		
		1	C			EZH	DGJ		
5	52108176AA	1	F			EZH	DGJ		GUIDE
		1	F			ERB	DGJ		
		1	C, Z			ERB	DGJ		
		1	C			EZH	DGJ		
6	52108177AA	1	F			EZH	DGJ		O RING
		1	F			ERB	DGJ		
		1	C, Z			ERB	DGJ		
7	52107976AA	1	F			EZH	DGJ		SNAP RING
		1	F			ERB	DGJ		
		1	C, Z			ERB	DGJ		
8		1	C			EZH	DGJ		SPRING



MAGNUM/300/CHARGER (LX)

SERIES LINE
H = HIGHLINE C = CHRYSLER
P = PREMIUM F = EAGLE
S = SPORT

BODY
48 = SEDAN TYPE #8

ENGINE
ERB = 3.XL Mid V6 Engine
EZH = 5.7L V8 HEMI MDS
VCT Engine

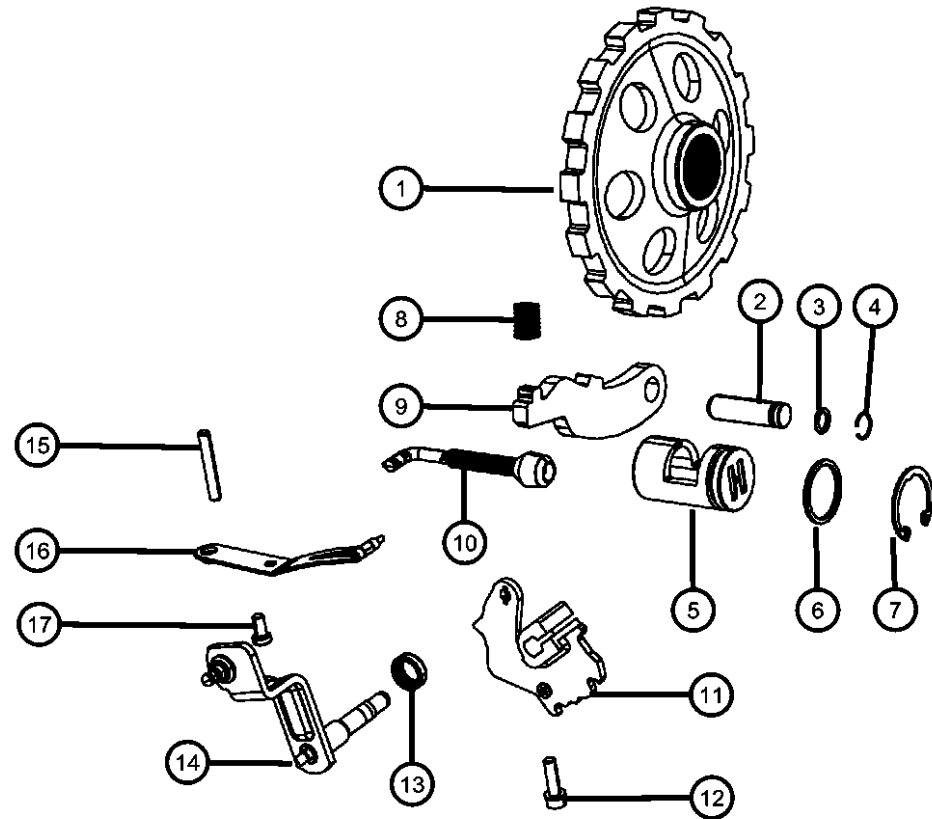
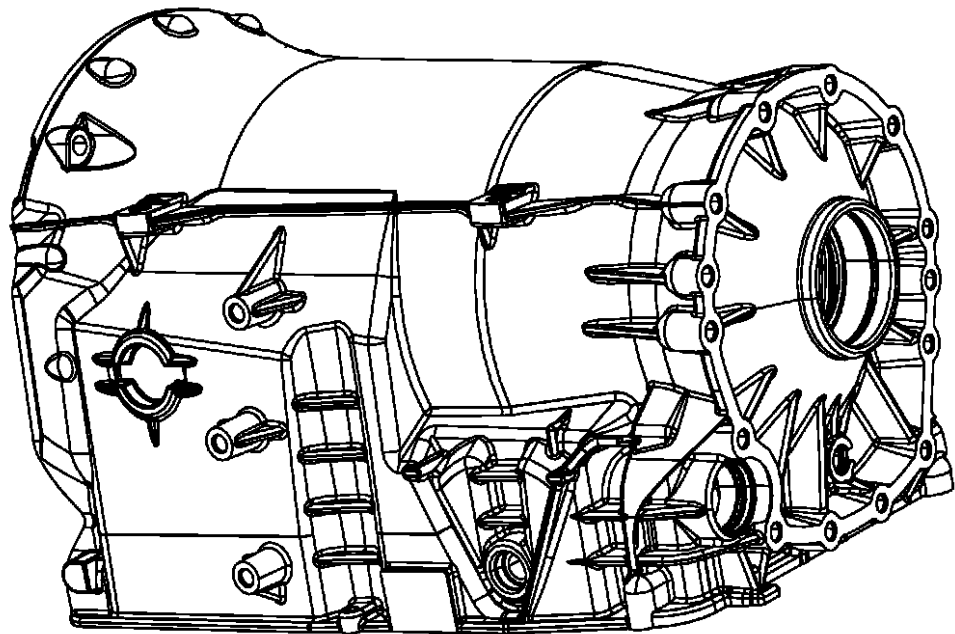
TRANSMISSION
DGJ = 5-Speed Auto W5A580
Transmission

AR = use ase required - = Non illustrated part

2011 LX

**Parking Sprag And Related Parts
Figure 021DGJ-860**

ITEM	PART NUMBER	QTY	LINE	SERIES	BODY	ENGINE	TRANS	TRIM	DESCRIPTION
	52108157AA	1	F			EZH	DGJ		PAWL, Parking Sprag
		1	F			ERB	DGJ		
		1	C, Z			ERB	DGJ		
		1	C			EZH	DGJ		
9	52108154AA	1	F			EZH	DGJ		LINKAGE, Transmission
		1	F			ERB	DGJ		
		1	C, Z			ERB	DGJ		
		1	C			EZH	DGJ		
10	68052714AA	1	F			EZH	DGJ		LINKAGE, Transmission
		1	F			ERB	DGJ		
		1	C, Z			ERB	DGJ		
		1	C			EZH	DGJ		
11	52108349AB	1	F			EZH	DGJ		DETENT, Gearshift
		1	F			ERB	DGJ		
		1	C, Z			ERB	DGJ		
		1	C			EZH	DGJ		
12	52108178AA	1	F			EZH	DGJ		BOLT, Torx Head, M6x20
		1	F			ERB	DGJ		
		1	C, Z			ERB	DGJ		
		1	C			EZH	DGJ		
13	05134933AA	1	F			EZH	DGJ		SEAL, Transmission
		1	F			ERB	DGJ		
		1	C, Z			ERB	DGJ		
		1	C			EZH	DGJ		
14	52108716AA	1	F			EZH	DGJ		SHAFT, Shift Lever
		1	F			ERB	DGJ		
		1	C, Z			ERB	DGJ		
		1	C			EZH	DGJ		
15								DOWEL	



MAGNUM/300/CHARGER (LX)

SERIES LINE
H = HIGHLINE C = CHRYSLER
P = PREMIUM F = EAGLE
S = SPORT

BODY
48 = SEDAN TYPE #8

ENGINE
ERB = 3.0L Mid V6 Engine
EZH = 5.7L V8 HEMI MDS
VCT Engine

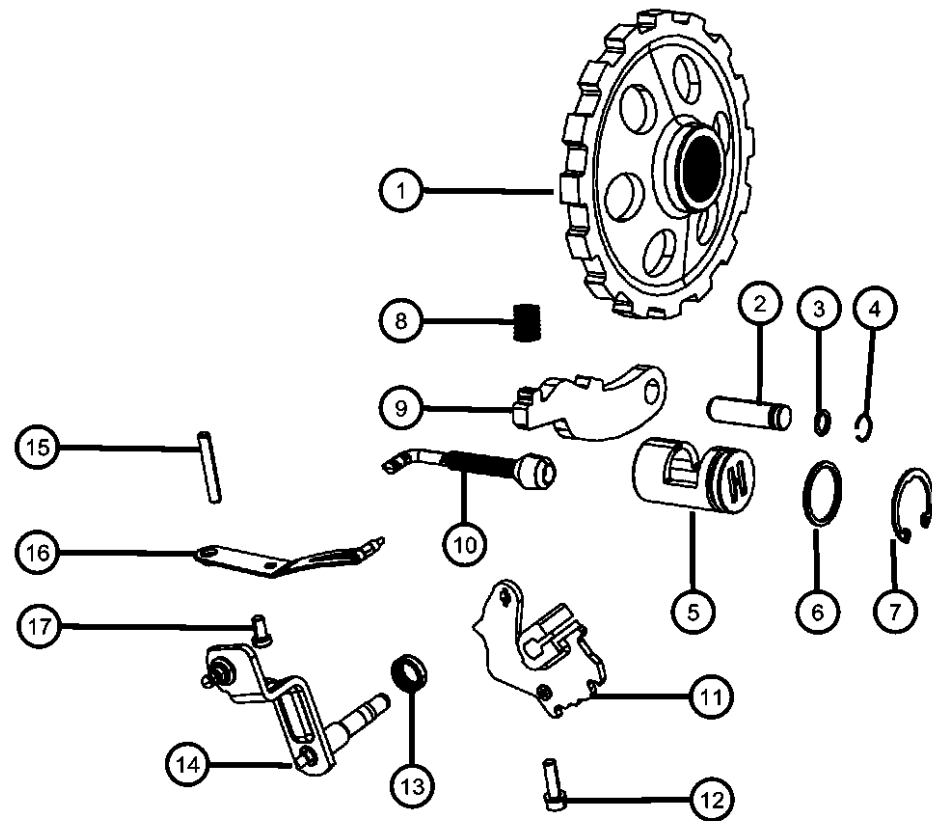
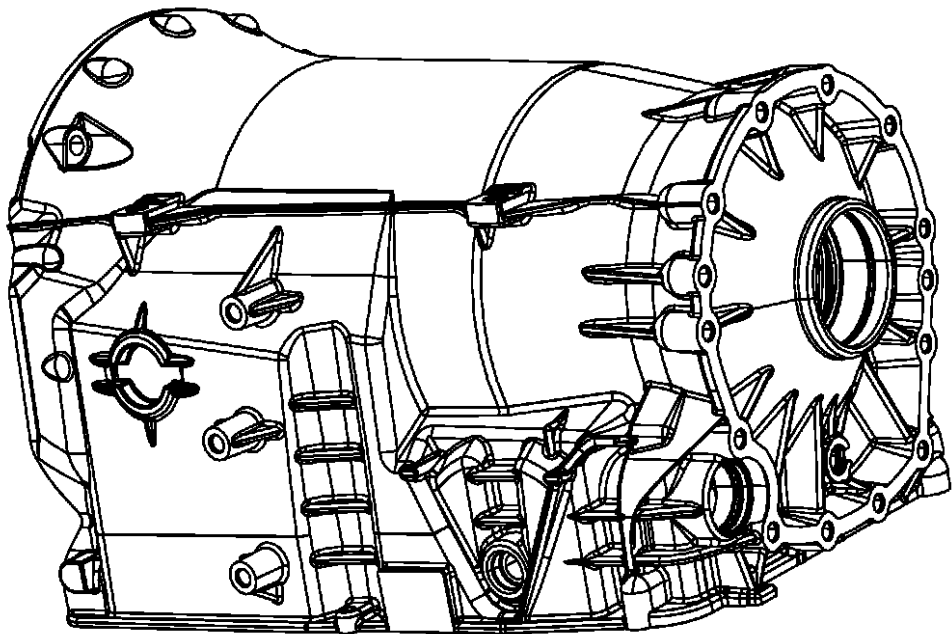
TRANSMISSION
DGJ = 5-Speed Auto W5A580
Transmission

AR = use ase required - = Non illustrated part

2011 LX

**Parking Sprag And Related Parts
Figure 021DGJ-860**

ITEM	PART NUMBER	QTY	LINE	SERIES	BODY	ENGINE	TRANS	TRIM	DESCRIPTION
	05098951AA	1	F			EZH	DGJ		
		1	F			ERB	DGJ		
		1	C, Z			ERB	DGJ		
		1	C			EZH	DGJ		
16	52108258AA	1	F			EZH	DGJ	DETENT, Valve Body	
1	F			ERB	DGJ				
1	C, Z			ERB	DGJ				
1	C			EZH	DGJ				
17	52108266AB	1	C			EZH	DGJ	BOLT, Torx Head, M6x12	
1	F			EZH	DGJ				
1	C, Z			ERB	DGJ				
1	F			ERB	DGJ				



MAGNUM/300/CHARGER (LX)

SERIES LINE
H = HIGHLINE C = CHRYSLER
P = PREMIUM F = EAGLE
S = SPORT

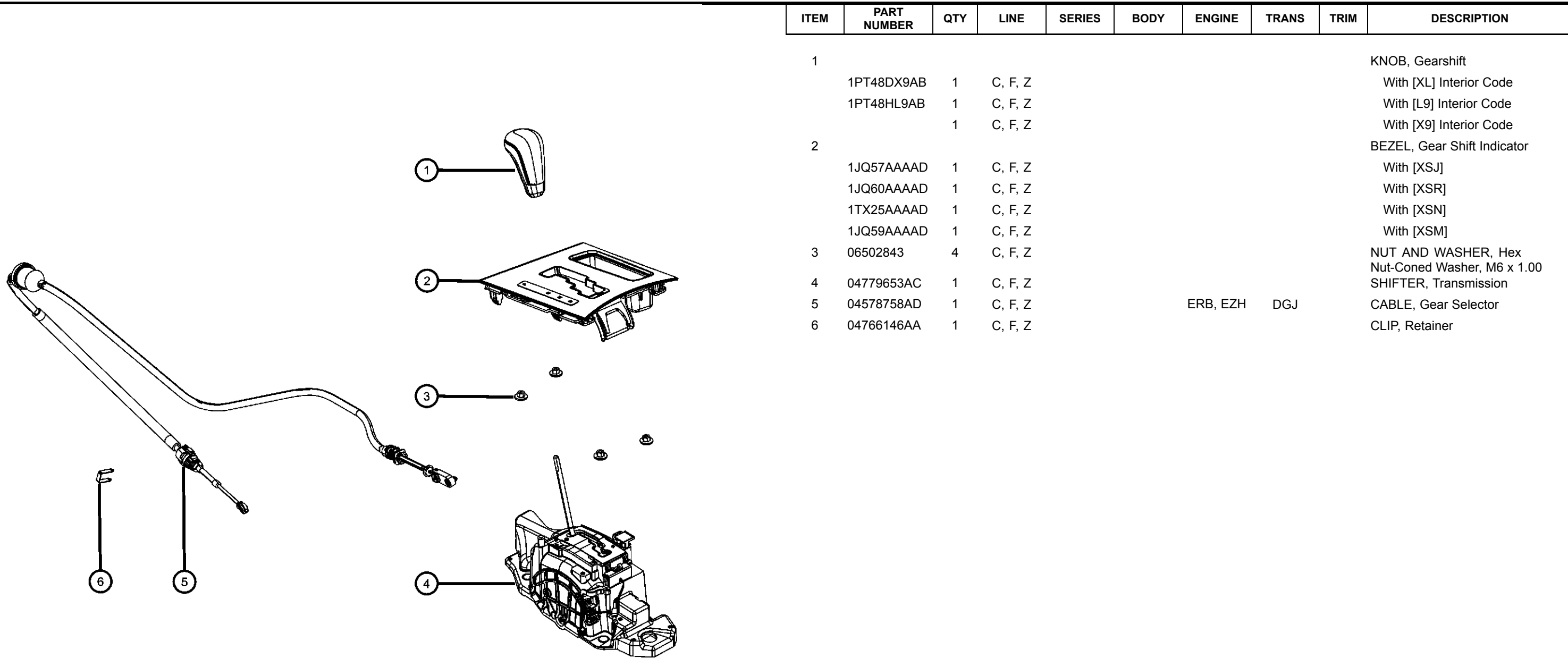
BODY
48 = SEDAN TYPE #8

ENGINE
ERB = 3.XL Mid V6 Engine
EZH = 5.7L V8 HEMI MDS
VCT Engine

TRANSMISSION
DGJ = 5-Speed Auto W5A580
Transmission

AR = use ase required - = Non illustrated part

**Gearshift Controls
Figure 021DGJ-1105**



ITEM	PART NUMBER	QTY	LINE	SERIES	BODY	ENGINE	TRANS	TRIM	DESCRIPTION
1	1PT48DX9AB	1	C, F, Z						KNOB, Gearshift With [XL] Interior Code
	1PT48HL9AB	1	C, F, Z						With [L9] Interior Code
		1	C, F, Z						With [X9] Interior Code
2	1JQ57AAAAD	1	C, F, Z						BEZEL, Gear Shift Indicator With [XSJ]
	1JQ60AAAAD	1	C, F, Z						With [XSR]
	1TX25AAAAD	1	C, F, Z						With [XSN]
	1JQ59AAAAD	1	C, F, Z						With [XSM]
3	06502843	4	C, F, Z						NUT AND WASHER, Hex Nut-Coned Washer, M6 x 1.00
4	04779653AC	1	C, F, Z						SHIFTER, Transmission
5	04578758AD	1	C, F, Z		ERB, EZH		DGJ		CABLE, Gear Selector
6	04766146AA	1	C, F, Z						CLIP, Retainer

MAGNUM/300/CHARGER (LX)

SERIES LINE
H = HIGHLINE C = CHRYSLER
P = PREMIUM F = EAGLE
S = SPORT

BODY
48 = SEDAN TYPE #8

ENGINE
ERB = 3.XL Mid V6 Engine
EZH = 5.7L V8 HEMI MDS
VCT Engine

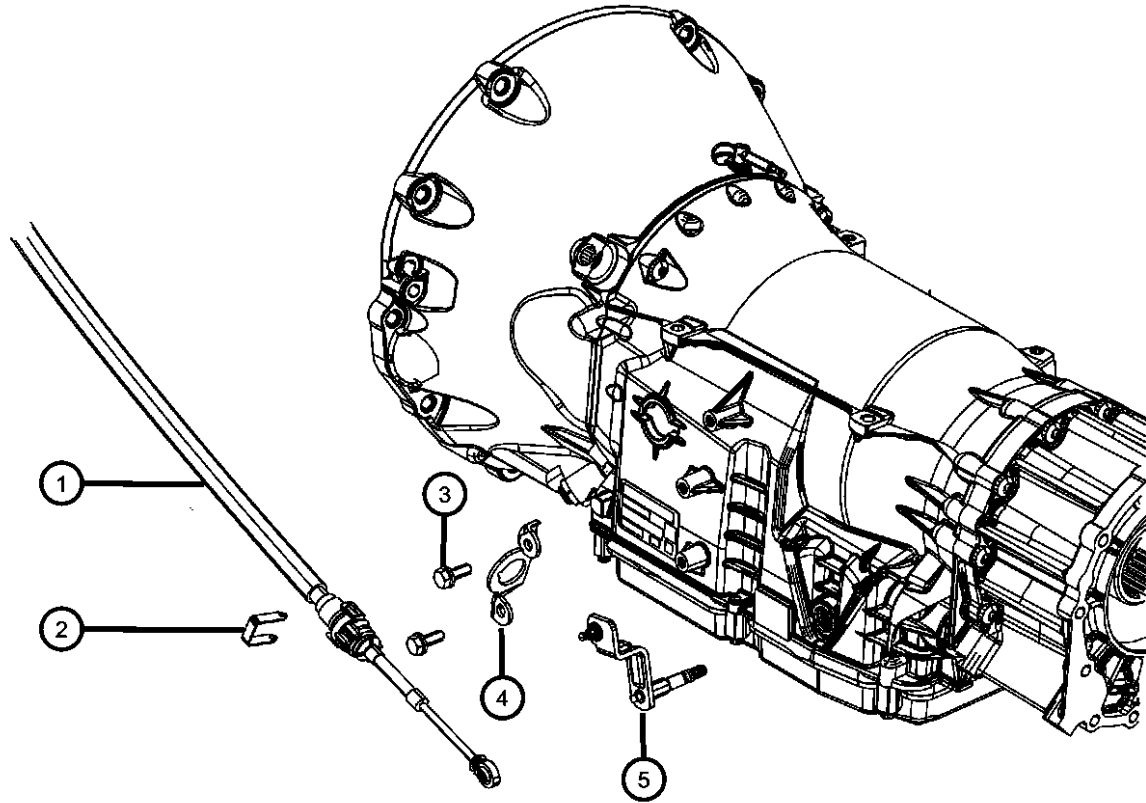
TRANSMISSION
DGJ = 5-Speed Auto W5A580
Transmission

AR = use ase required - = Non illustrated part

2011 LX

**Gearshift Lever, Cable and Bracket
Figure 021DGJ-1115**

ITEM	PART NUMBER	QTY	LINE	SERIES	BODY	ENGINE	TRANS	TRIM	DESCRIPTION
1	04578758AD	1	C, F, Z			ERB, EZH	DGJ		CABLE, Gear Selector
2	04766146AA	1	C, F, Z						CLIP, Retainer
3	06503692	2	C, F, Z						SCREW, M8-1.25
4	04578071AA	1	C, F, Z			ERB, EZH	DGJ		BRACKET, Cable Mounting
5	52108716AA	1	F			ERB	DGJ		SHAFT, Shift Lever
		1	C			EZH	DGJ		
		1	C, Z			ERB	DGJ		
		1	F			EZH	DGJ		



MAGNUM/300/CHARGER (LX)

SERIES LINE
H = HIGHLINE C = CHRYSLER
P = PREMIUM F = EAGLE
S = SPORT

BODY
48 = SEDAN TYPE #8

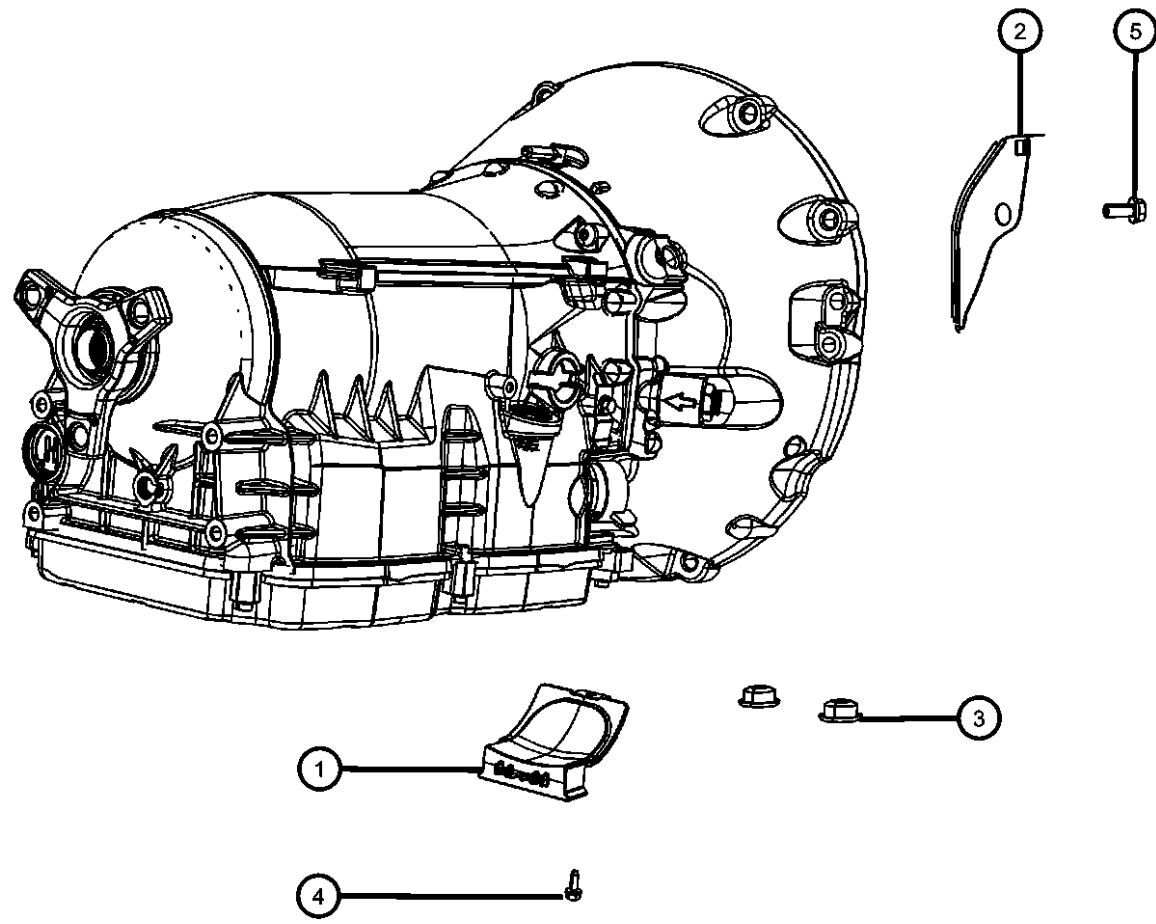
ENGINE
ERB = 3.XL Mid V6 Engine
EZH = 5.7L V8 HEMI MDS
VCT Engine

TRANSMISSION
DGJ = 5-Speed Auto W5A580
Transmission

AR = use ase required - = Non illustrated part

Mounting Covers And Shields
Figure 021DGJ-1205

ITEM	PART NUMBER	QTY	LINE	SERIES	BODY	ENGINE	TRANS	TRIM	DESCRIPTION
1	04792978AB	1	C, F, Z			EZH			COVER, Transmission Dust
2	53034177AB	1	C, F			ERB	DGJ		COVER, Transmission Dust
3	04593887AB	2	C, F, Z			ERB	DGJ		PLUG, Access Hole
4	06504810AA	1	C, F, Z			EZH			BOLT AND CONED WASHER, Hex head, M6X1.00X20.00
5	06102411AA	1	C, F, Z			ERB	DGJ		BOLT AND WASHER, Hex Head, M10X1.50X25.00



MAGNUM/300/CHARGER (LX)

SERIES LINE
H = HIGHLINE C = CHRYSLER
P = PREMIUM F = EAGLE
S = SPORT

BODY
48 = SEDAN TYPE #8

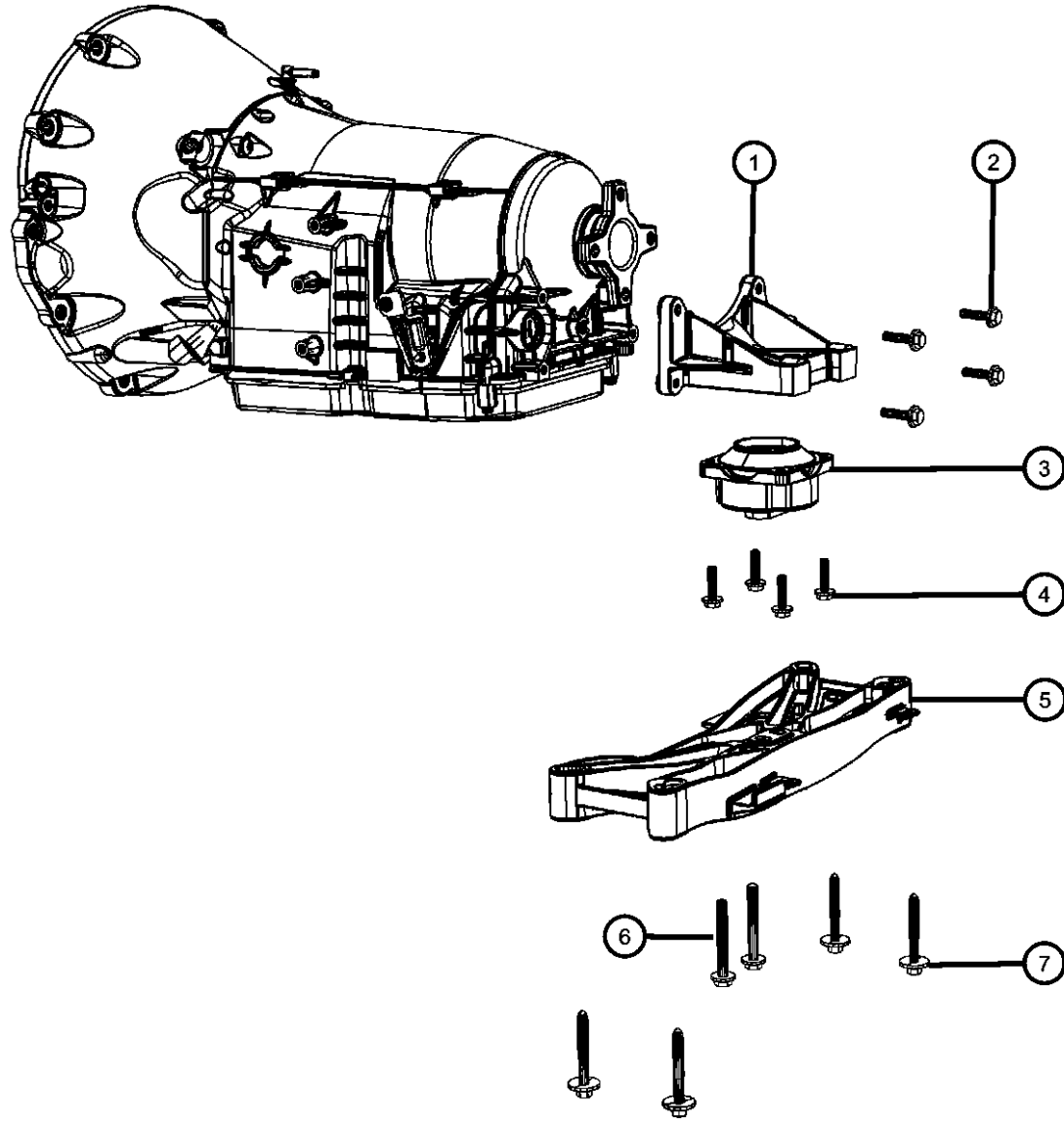
ENGINE
ERB = 3.XL Mid V6 Engine
EZH = 5.7L V8 HEMI MDS
VCT Engine

TRANSMISSION
DGJ = 5-Speed Auto W5A580
Transmission

AR = use ase required - = Non illustrated part

**Transmission Support RWD
Figure 021DGJ-1210**

ITEM	PART NUMBER	QTY	LINE	SERIES	BODY	ENGINE	TRANS	TRIM	DESCRIPTION
1	04578062AC	1	C, Z				DGJ		BRACKET, Transmission Mount
2	06101759	4	C, Z				DGJ		SCREW AND WASHER, Hex Head, M8x1.25x35
3	68092519AA	1	C, Z			EZH			MOUNT, Transmission
	68084746AA	1	C, Z			ERB			
4	06101759	4	C, Z				DGJ		SCREW AND WASHER, Hex Head, M8x1.25x35
5	04578055AE	1	C, Z			EZH			CROSSMEMBER, Transmission
	04726089AD	1	C, Z			ERB			
6	06101553	2	C, Z						BOLT AND WASHER, Hex Head, M10x1.50x80
7	06507788AA	4	C, F, Z						SCREW



MAGNUM/300/CHARGER (LX)

SERIES LINE
H = HIGHLINE C = CHRYSLER
P = PREMIUM F = EAGLE
S = SPORT

BODY
48 = SEDAN TYPE #8

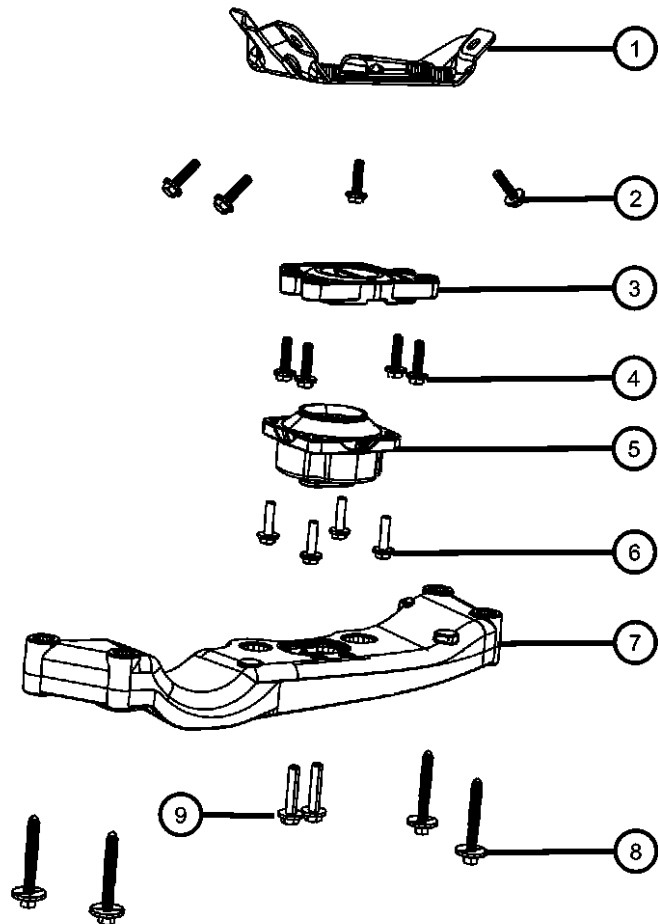
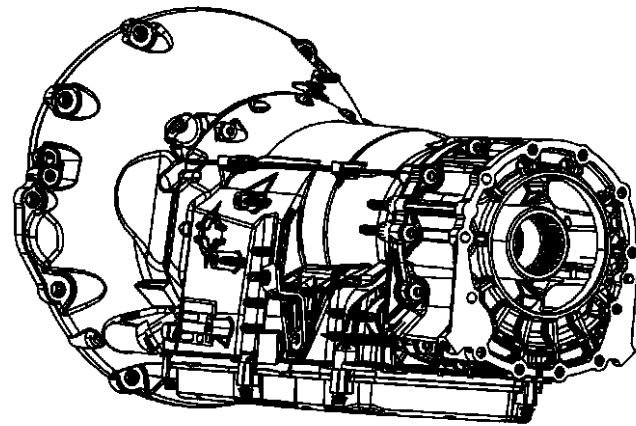
ENGINE
ERB = 3.XL Mid V6 Engine
EZH = 5.7L V8 HEMI MDS
VCT Engine

TRANSMISSION
DGJ = 5-Speed Auto W5A580
Transmission

AR = use ase required - = Non illustrated part

2011 LX

**Transmission Support AWD
Figure 021DGJ-1211**



ITEM	PART NUMBER	QTY	LINE	SERIES	BODY	ENGINE	TRANS	TRIM	DESCRIPTION
1	04779379AB	1	F			ERB			BRACKET, Transmission Mount
2	06506019AA	4	F			ERB			BOLT AND WASHER, Hex Head, M10x1.5x30
3	04578179AC	1	F			ERB	DGJ		BRACKET, Transmission Mount
4	06104102AA	4	F			ERB			SCREW AND WASHER, Hex Head
5									MOUNT, Transmission
	68084748AA	1	F			ERB			
	68084749AB	1	F			EZH			
6	06101759	4	F			EZH			SCREW AND WASHER, Hex Head, M8x1.25x35
7									CROSSMEMBER, Transmission
	04578156AG	1	F			EZH			
	04726088AA	1	F			ERB			
8	06507788AA	4	C, F, Z						SCREW
9	06102208AA	2	F						BOLT AND WASHER, Hex Head, M10x1.50x50.00

MAGNUM/300/CHARGER (LX)

SERIES LINE
H = HIGHLINE C = CHRYSLER
P = PREMIUM F = EAGLE
S = SPORT

BODY
48 = SEDAN TYPE #8

ENGINE
ERB = 3.XL Mid V6 Engine
EZH = 5.7L V8 HEMI MDS VCT Engine

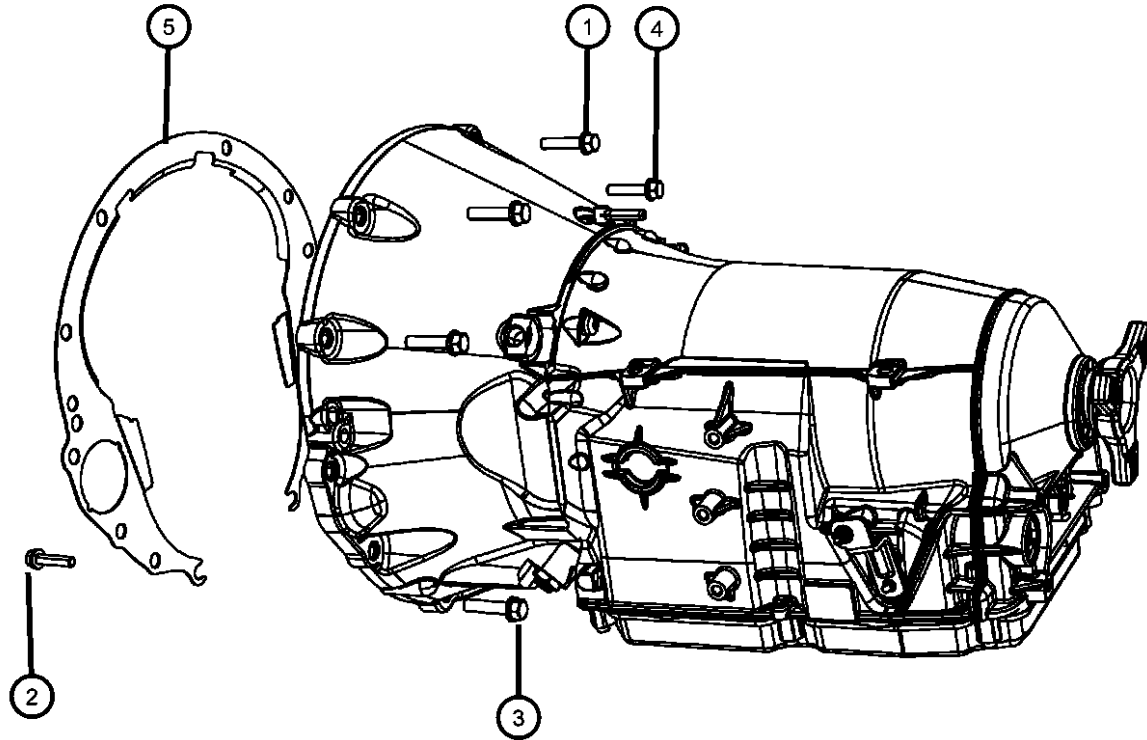
TRANSMISSION
DGJ = 5-Speed Auto W5A580 Transmission

AR = use ase required - = Non illustrated part

2011 LX

**Mounting Bolts
Figure 021DGJ-1215**

ITEM	PART NUMBER	QTY	LINE	SERIES	BODY	ENGINE	TRANS	TRIM	DESCRIPTION
1									STUD, Double Ended, M6X1.00X18.00
	06507967AA	1	C, F, Z			ERB	DGJ		[M10X1.50X44.75 / M8X1.25X19.00]
	06507890AA	4	C, F, Z			EZH	DGJ		[M8X1.25X.375-16X66.25]
2	06036385AA	1	C			EZH	DGJ		BOLT AND WASHER, Hex Head Lock, 0.437-14x2.00
3	06102172AA	4	C, F, Z			ERB	DGJ		SCREW AND WASHER, Hex Head, M10x1.5x50
4	06024473	1	C			EZH	DGJ		SCREW AND WASHER, Hex Head, .437-14x2.00
5									COVER, Transmission Dust
	04591910AA	1	C			EZH	DGJ		
	04591948AB	1	F, Z			EZH	DGJ		



MAGNUM/300/CHARGER (LX)

SERIES LINE
H = HIGHLINE C = CHRYSLER
P = PREMIUM F = EAGLE
S = SPORT

BODY
48 = SEDAN TYPE #8

ENGINE
ERB = 3.XL Mid V6 Engine
EZH = 5.7L V8 HEMI MDS
VCT Engine

TRANSMISSION
DGJ = 5-Speed Auto W5A580
Transmission

AR = use ase required - = Non illustrated part

2011 LX

Group - 021DKB

Power Transfer Unit; Transfer Case

Group - 021DKB Power Transfer Unit; Transfer Case

Illustration Title

Group-Fig. No.

Transfer Case Assembly

Transfer Case Assembly And Identification Borg Warner 44-40 [DKB]..... Fig. 021DKB - 105

Case, and Extension

Case And Related Parts Borg Warner 44-40 [DKB] Fig. 021DKB - 205

Gear Train

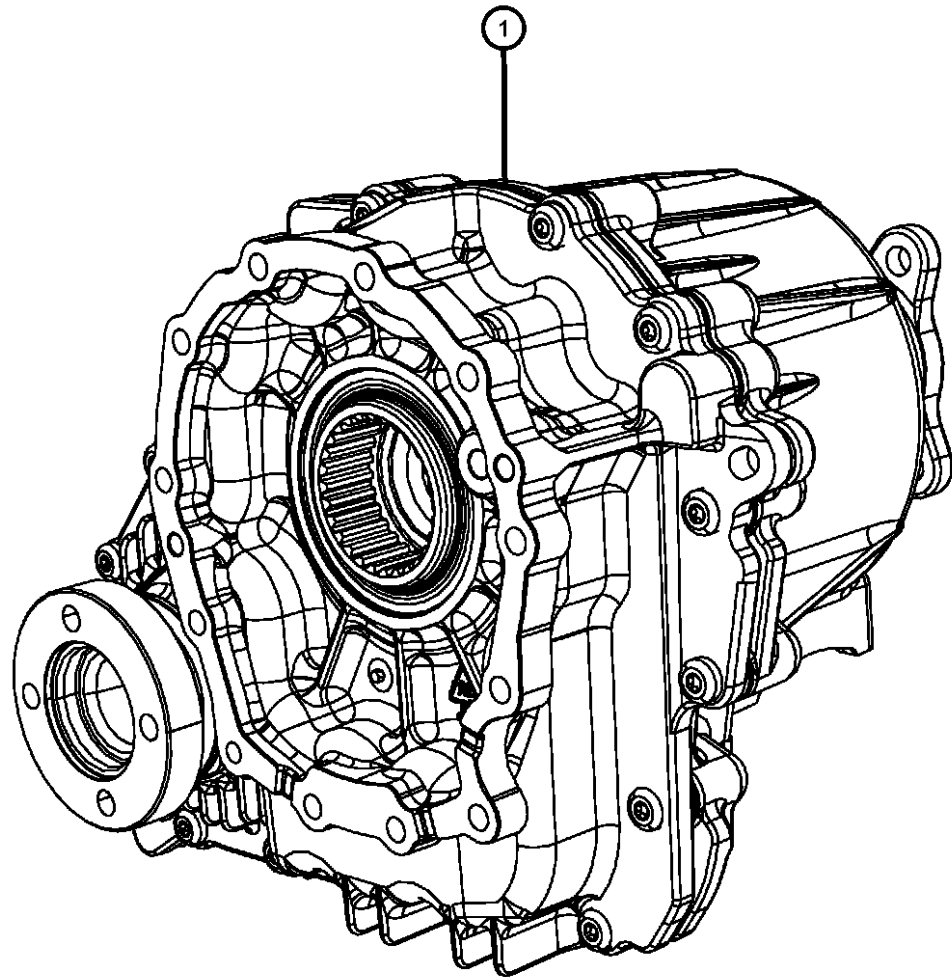
Gear Train Borg Warner 44-40 [DKB] Fig. 021DKB - 605

021590-100 

<p>021DKB-100 Transfer Case Assembly</p>	<p>021DKB-200 Case, and Extension</p>	<p>021DKB-600 Gear Train</p>	
---	--	---	--

**Transfer Case Assembly And Identification Borg Warner 44-40 [DKB]
Figure 021DKB-105**

ITEM	PART NUMBER	QTY	LINE	SERIES	BODY	ENGINE	TRANS	TRIM	DESCRIPTION
1	04593847AD	1	F			EZH	DGJ		TRANSFER CASE
2	68049954AA	1	F			EZH	DGJ		LUBRICANT, Transfer Case, Quart, BW 44-40



MAGNUM/300/CHARGER (LX)

SERIES LINE
 H = HIGHLINE C = CHRYSLER
 P = PREMIUM F = EAGLE
 S = SPORT

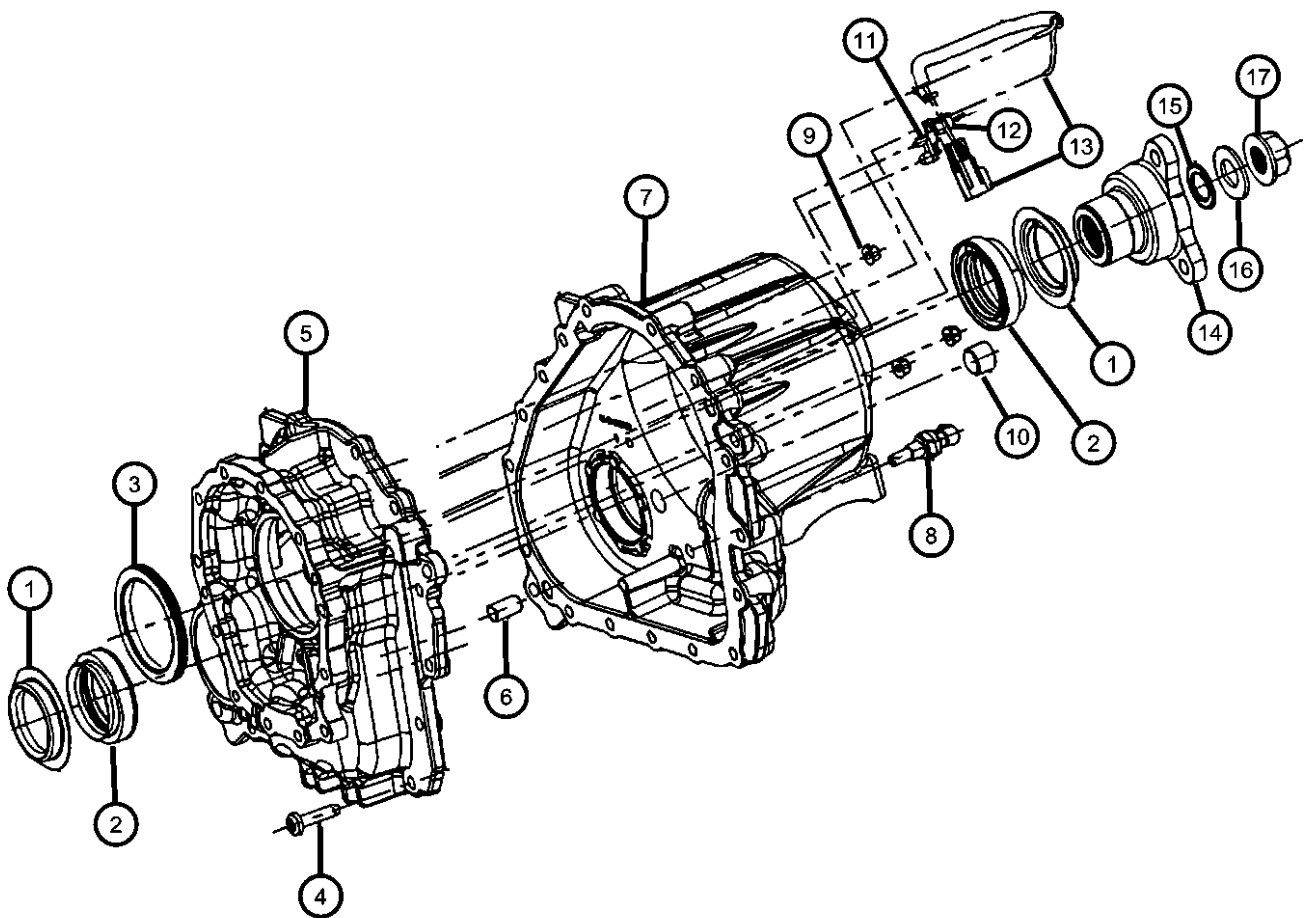
BODY
 48 = SEDAN TYPE #8

ENGINE
 ERB = 3.XL Mid V6 Engine
 EZH = 5.7L V8 HEMI MDS
 VCT Engine

TRANSMISSION
 DGJ = 5-Speed Auto W5A580
 Transmission

AR = use ase required - = Non illustrated part

**Case And Related Parts Borg Warner 44-40 [DKB]
Figure 021DKB-205**



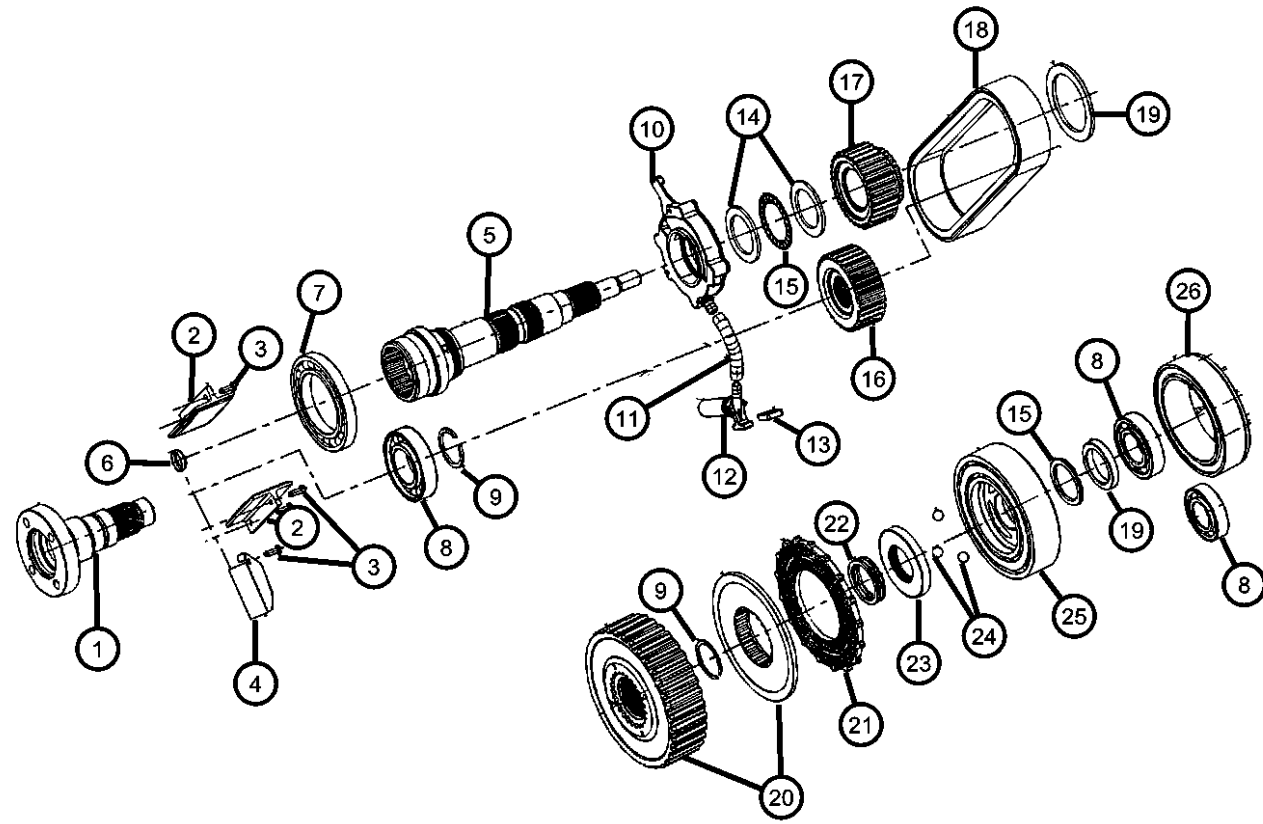
ITEM	PART NUMBER	QTY	LINE	SERIES	BODY	ENGINE	TRANS	TRIM	DESCRIPTION
1	68055318AA	2	F			EZH	DGJ		SHIELD, Dust
2	68055262AA	1	F			EZH	DGJ		SEAL, Output, Front Output Shaft And Rear Output Flange
3	68055261AA	1	F			EZH	DGJ		SEAL, Input
4	68055337AA	16	F			EZH	DGJ		BOLT, Front Case Half To Rear Case Half
5	68101734AA	1	F			EZH	DGJ		CASE HALF, Front, Includes: Input Seal, Output Seal, Input Gear Bearing And Front Output Shaft Bearing
6	68055335AA	2	F			EZH	DGJ		DOWEL, Transfer Case
7	68101737AA	1	F			EZH	DGJ		CASE, Transfer Rear, Includes: Rear Output Shaft Seal, Rear Output Bearings And Dowel Pins
8	68055357AA	1	F			EZH	DGJ		SENSOR, Temperature
9	68055332AA	3	F			EZH	DGJ		NUT, Hex
10	68055351AA	2	F			EZH	DGJ		PLUG, Oil Fill
11	68055360AA	1	F			EZH	DGJ		CLIP, Wiring
12	68055362AA	1	F			EZH	DGJ		WEDGE, Wiring
13	68055358AA	1	F			EZH	DGJ		CONNECTOR ASSEMBLY, Electrical
14	68055339AA	1	F			EZH	DGJ		FLANGE, Driveshaft Yoke
15	68055262AA	2	F			EZH	DGJ		SEAL, Output
16	68055348AA	1	F			EZH	DGJ		THRUST WASHER
17	68101738AA	1	F			EZH	DGJ		NUT

MAGNUM/300/CHARGER (LX)

SERIES	LINE	BODY	ENGINE	TRANSMISSION
H = HIGHLINE P = PREMIUM S = SPORT	C = CHRYSLER F = EAGLE	48 = SEDAN TYPE #8	ERB = 3.XL Mid V6 Engine EZH = 5.7L V8 HEMI MDS VCT Engine	DGJ = 5-Speed Auto W5A580 Transmission

AR = use ase required - = Non illustrated part

**Gear Train Borg Warner 44-40 [DKB]
Figure 021DKB-605**



ITEM	PART NUMBER	QTY	LINE	SERIES	BODY	ENGINE	TRANS	TRIM	DESCRIPTION
1	68055317AA	1	F			EZH	DGJ		OUTPUT SHAFT, Transfer Case
2	68055263AA	2	F			EZH	DGJ		SNUBBER, Chain
3	68055265AA	5	F			EZH	DGJ		BOLT, Chain Snubber And Oil Baffle
4	68055264AA	1	F			EZH	DGJ		BAFFLE, Trough
5	68101736AA	1	F			EZH	DGJ		MAINSHAFT, Transfer Case
6		1							PLUG, Serviced With Mainshaft, (NOT SERVICED)
7	68101735AA	1	F			EZH	DGJ		BEARING, Input Gear, Also Serviced In Front Case Half
8	68055260AA	1	F			EZH	DGJ		BEARING, Output Shaft, Also Serviced In Front Case Half
9									SNAP RING
	68055325AA	1	F			EZH	DGJ		Behind Modular Clutch Assembly
	68055319AA	1	F			EZH	DGJ		Thrust Bearing
10	68055267AA	1	F			EZH	DGJ		PUMP, Transfer Case Oil
11	68055270AA	1	F			EZH	DGJ		TUBE, Oil Pickup
12	68055271AA	1	F			EZH	DGJ		FILTER, Transfer Case Oil
13	68055330AA	1	F			EZH	DGJ		MAGNET
14	68055274AA	1	F			EZH	DGJ		THRUST WASHER
15	68055276AA	1	F			EZH	DGJ		BEARING, Thrust
16	68055320AA	1	F			EZH	DGJ		SPROCKET, Driven
17	68055321AA	1	F			EZH	DGJ		SPROCKET, Drive
18	68055322AA	1	F			EZH	DGJ		CHAIN, Transfer Case
19									SPACER
	68055365AA	1	F			EZH	DGJ		[8.90-9.00MM] Behind Rear Thrust Bearing
	68055366AA	1	F			EZH	DGJ		[9.10-9.20MM] Behind Rear Thrust Bearing
	68055364AA	1	F			EZH	DGJ		[8.70-8.80MM] Behind Rear Thrust Bearing
	68055368AA	1	F			EZH	DGJ		[9.50-9.60MM] Behind Rear Thrust Bearing
	68055323AA	1	F			EZH	DGJ		Between Drive Sprocket And Modular Clutch Assembly
	68055363AA	1	F			EZH	DGJ		[8.50-8.60MM] Behind Rear Thrust Bearing
	68055369AA	1	F			EZH	DGJ		[9.70-9.80MM] Behind Rear Thrust Bearing
	68055367AA	1	F			EZH	DGJ		[9.30-9.40MM] Behind Rear Thrust Bearing
20	68055324AA	1	F			EZH	DGJ		CLUTCH ASSEMBLY, Modular

MAGNUM/300/CHARGER (LX)
 SERIES LINE
 H = HIGHLINE C = CHRYSLER
 P = PREMIUM F = EAGLE
 S = SPORT

BODY
 48 = SEDAN TYPE #8

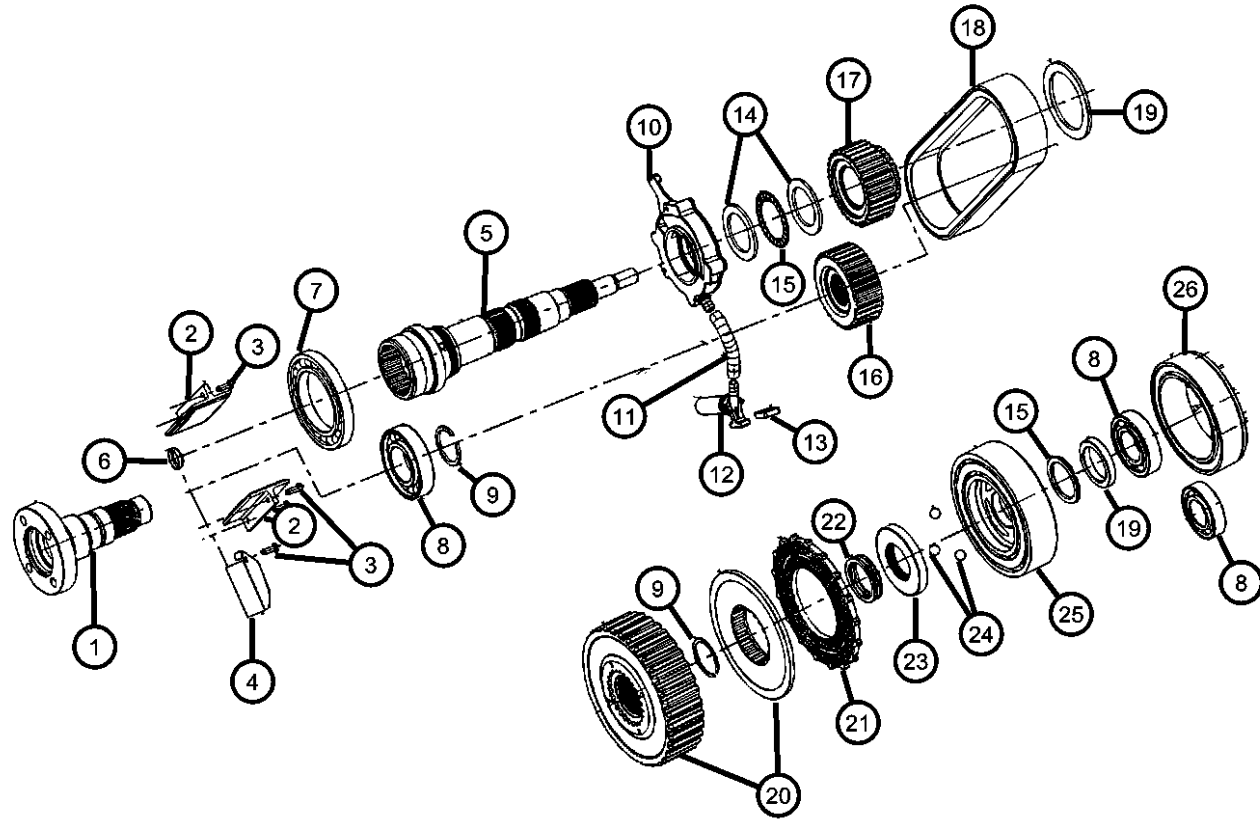
ENGINE
 ERB = 3.XL Mid V6 Engine
 EZH = 5.7L V8 HEMI MDS
 VCT Engine

TRANSMISSION
 DGJ = 5-Speed Auto W5A580
 Transmission

AR = use ase required - = Non illustrated part

**Gear Train Borg Warner 44-40 [DKB]
Figure 021DKB-605**

ITEM	PART NUMBER	QTY	LINE	SERIES	BODY	ENGINE	TRANS	TRIM	DESCRIPTION
21		1							ARMATURE, Transfer Case, Serviced In Assembly Only, (NOT SERVICED)
22	68055326AA	1	F			EZH	DGJ		WASHER, Wave
23	68055328AA	1	F			EZH	DGJ		CAM
24	68055329AA	3	F			EZH	DGJ		BALL, Locator
25		3							ROTOR, Inner, Serviced In Assembly Only, (NOT SERVICED)
26	68055331AA	1	F			EZH	DGJ		COIL, Transfer Case



MAGNUM/300/CHARGER (LX)

SERIES LINE
H = HIGHLINE C = CHRYSLER
P = PREMIUM F = EAGLE
S = SPORT

BODY
48 = SEDAN TYPE #8

ENGINE
ERB = 3.XL Mid V6 Engine
EZH = 5.7L V8 HEMI MDS
VCT Engine

TRANSMISSION
DGJ = 5-Speed Auto W5A580
Transmission

AR = use ase required - = Non illustrated part

Group - 22

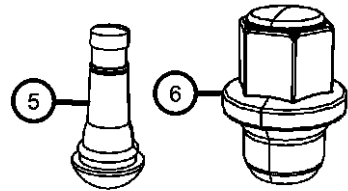
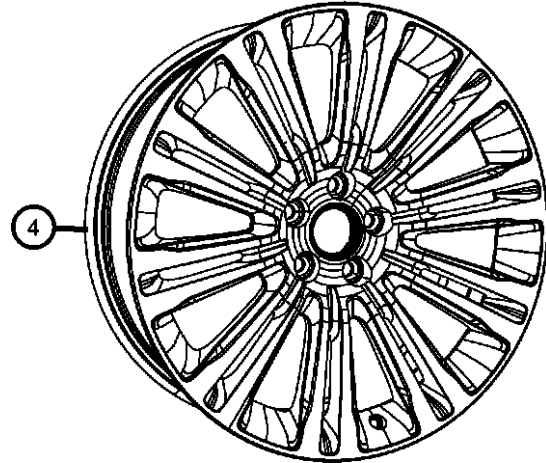
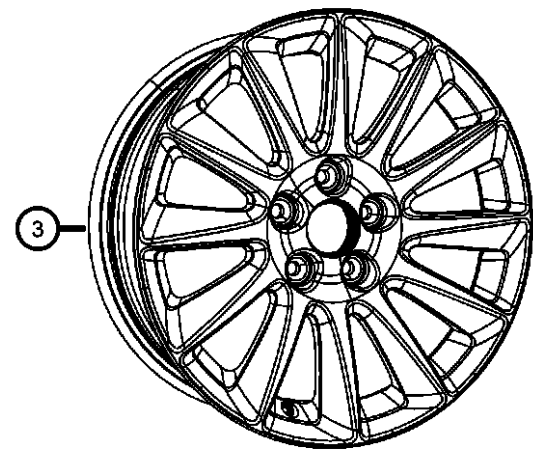
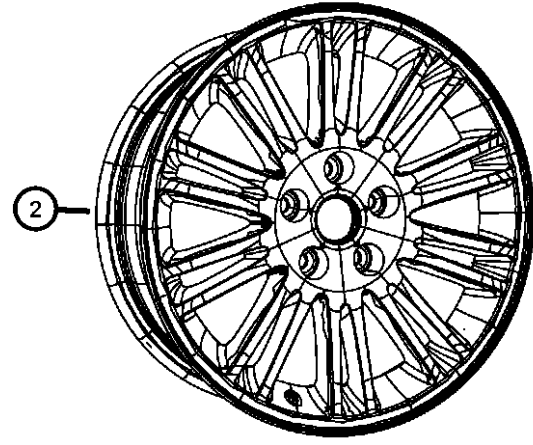
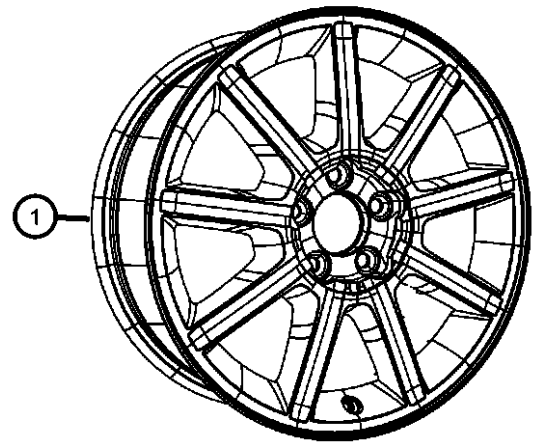
Wheels

Group - 22 Wheels

Illustration Title	Group-Fig. No.
Wheels, Tires and Hardware	
Wheels and Hardware	Fig. 22 - 105
Wheel Covers and Center Caps	
Wheel Covers and Center Caps	Fig. 22 - 205
Jack Stowage	
Jack Assembly And Tools	Fig. 22 - 305
Wheel Spare	
Spare Wheel Stowage	Fig. 22 - 405
Emergency Kit	
Emergency Kit	Fig. 22 - 505
Tire Monitoring System	
Tire Monitoring System	Fig. 22 - 605

022-100 Wheels, Tires and Hardware	022-200 Wheel Covers and Center Caps	022-300 Jack Stowage	022-400 Wheel Spare
022-500 Emergency Kit	022-600 Tire Monitoring System		

Wheels and Hardware
Figure 22-105



ITEM	PART NUMBER	QTY	LINE	SERIES	BODY	ENGINE	TRANS	TRIM	DESCRIPTION
1	1LS53SZ0AA	2	C, F, Z		48				WHEEL, Aluminum, [WPN]
2	1TD73GSAAA	2	C, F, Z		48				WHEEL, Aluminum, [WP4]
3	1LS67GSAAB	2	C, F, Z		48				WHEEL, Aluminum, [WPM]
4	1LS51GSAAB	2	C, F, Z		48				WHEEL, Aluminum, [WFM]
5	02073355	1	C, F, Z		48				STEM, Wheel Valve
6	06509873AA	20	C, F, Z		48				NUT, Wheel, M14X1.5
-7		20							WEIGHT, Wheel Balance Tape, (NOT SERVICED)

MAGNUM/300/CHARGER (LX)

SERIES LINE
H = HIGHLINE C = CHRYSLER
P = PREMIUM F = EAGLE
S = SPORT

BODY
48 = SEDAN TYPE #8

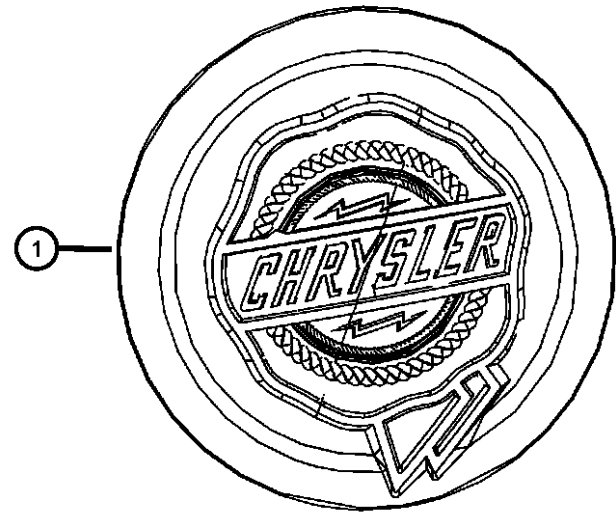
ENGINE
ERB = 3.XL Mid V6 Engine
EZH = 5.7L V8 HEMI MDS
VCT Engine

TRANSMISSION
DGJ = 5-Speed Auto W5A580
Transmission

AR = use ase required - = Non illustrated part

**Wheel Covers and Center Caps
Figure 22-205**

ITEM	PART NUMBER	QTY	LINE	SERIES	BODY	ENGINE	TRANS	TRIM	DESCRIPTION
1									CAP, Wheel Center
	1LB74SZ7AA	4	C, F, Z		48				[WFM]
	1LB74SZ0AA	4	C, F, Z		48				[WPM],[WPN],[WP4]



MAGNUM/300/CHARGER (LX)

SERIES LINE
H = HIGHLINE C = CHRYSLER
P = PREMIUM F = EAGLE
S = SPORT

BODY
48 = SEDAN TYPE #8

ENGINE
ERB = 3.XL Mid V6 Engine
EZH = 5.7L V8 HEMI MDS
VCT Engine

TRANSMISSION
DGJ = 5-Speed Auto W5A580
Transmission

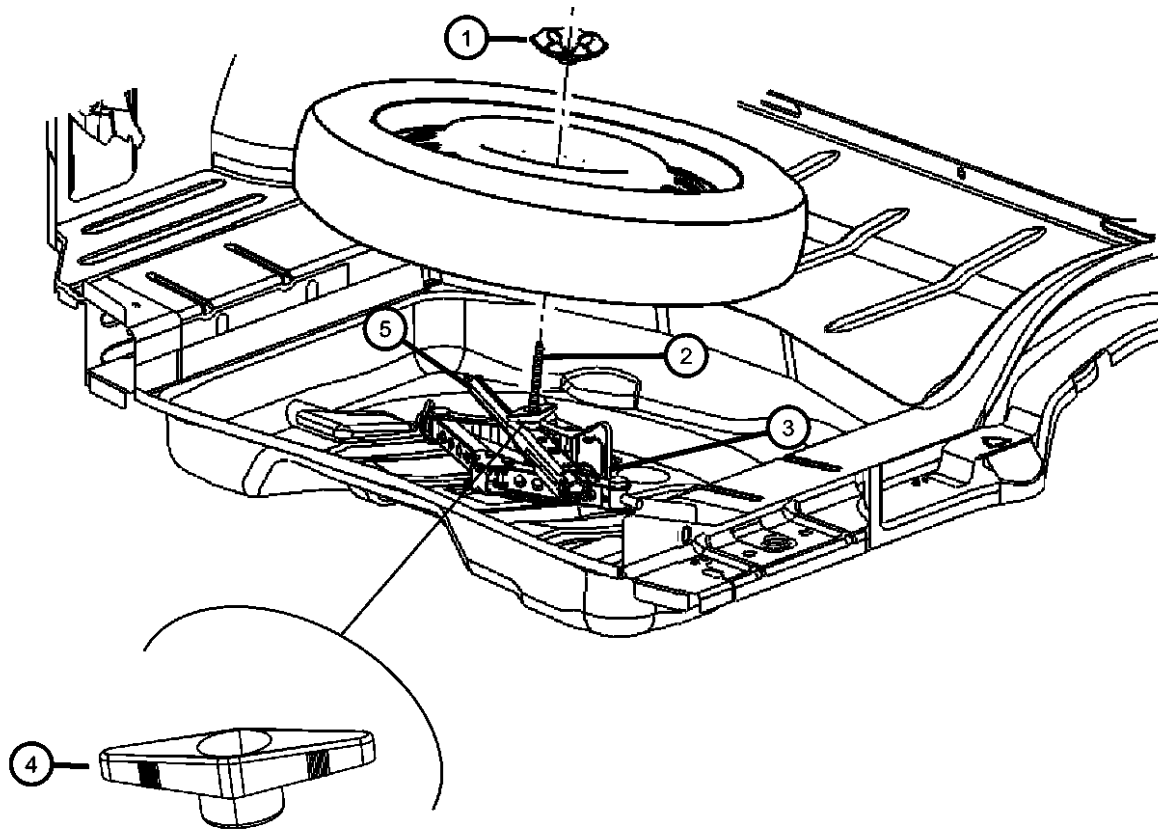
AR = use ase required - = Non illustrated part

Jack Assembly And Tools
Figure 22-305

ITEM	PART NUMBER	QTY	LINE	SERIES	BODY	ENGINE	TRANS	TRIM	DESCRIPTION
------	-------------	-----	------	--------	------	--------	-------	------	-------------

NOTES: Sales Codes:
[XLB] = Arabic Language
[XLR] = French/Canadian Language

1	52059160AC	1	C, F, Z		48				CUP, Spare Tire Retention
2	06508110AA	1	C, F, Z		48				BOLT, Shoulder, M8X1.25X174.00
3	68059902AA	1	C, F, Z		48				JACK, Scissors
4	06504599	1	C, F, Z		48				NUT, M10x1.50, Jack Mounting
5	68055402AA	1	C, F, Z		48				WRENCH, Wheel Lug Nut



MAGNUM/300/CHARGER (LX)

SERIES LINE
H = HIGHLINE C = CHRYSLER
P = PREMIUM F = EAGLE
S = SPORT

BODY
48 = SEDAN TYPE #8

ENGINE
ERB = 3.XL Mid V6 Engine
EZH = 5.7L V8 HEMI MDS
VCT Engine

TRANSMISSION
DGJ = 5-Speed Auto W5A580
Transmission

AR = use ase required - = Non illustrated part

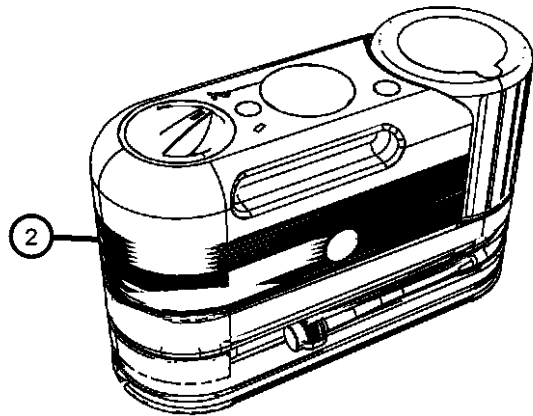
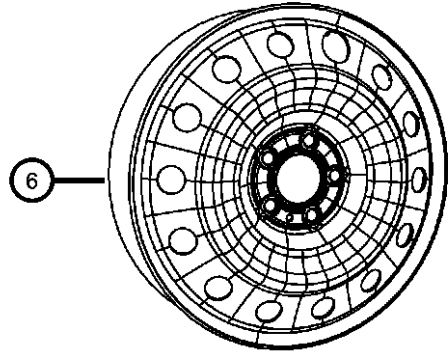
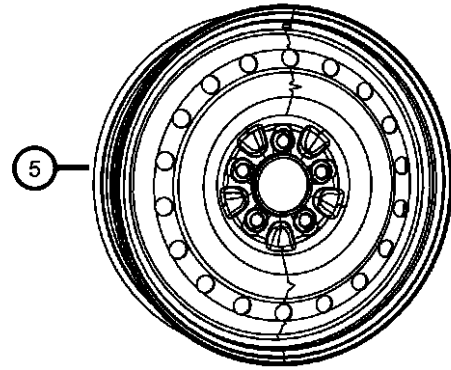
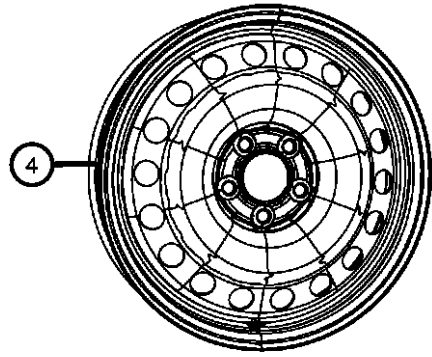
2011 LX

Spare Wheel Stowage
Figure 22-405

ITEM	PART NUMBER	QTY	LINE	SERIES	BODY	ENGINE	TRANS	TRIM	DESCRIPTION
------	-------------	-----	------	--------	------	--------	-------	------	-------------

NOTES: Sales Codes:
[TBC] = Compact Spare Tire

1	52059160AC	1	C, F, Z		48				CUP, Spare Tire Retention
2	68082668AA	1	C, F, L, Z	X	48				COMPRESSOR, Tire
-3	68082669AA	1	C, F, L, Z	X	48				SEALANT, Tire
4	04782465AA	1	C, Z		48				WHEEL, Spare, [TBC]
5	04782819AB	1	C, F, Z		48				WHEEL, Spare, [TBG]
6	04895689AA	1	F		48				WHEEL, Spare, [TBK]



MAGNUM/300/CHARGER (LX)

SERIES LINE
H = HIGHLINE C = CHRYSLER
P = PREMIUM F = EAGLE
S = SPORT

BODY
48 = SEDAN TYPE #8

ENGINE
ERB = 3.XL Mid V6 Engine
EZH = 5.7L V8 HEMI MDS
VCT Engine

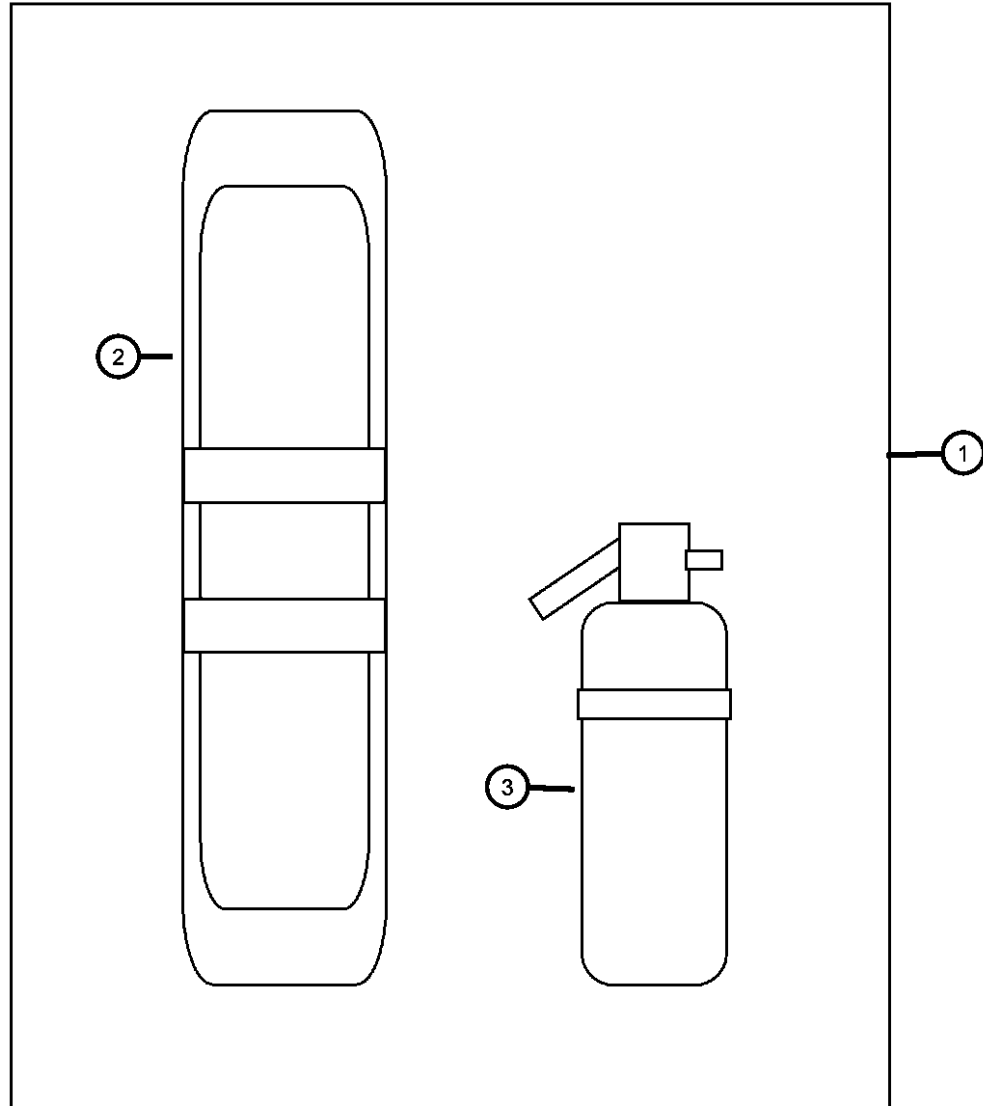
TRANSMISSION
DGJ = 5-Speed Auto W5A580
Transmission

AR = use ase required - = Non illustrated part

2011 LX

**Emergency Kit
Figure 22-505**

ITEM	PART NUMBER	QTY	LINE	SERIES	BODY	ENGINE	TRANS	TRIM	DESCRIPTION
1	55371011AC	1	C, F, Z		48				TOOL SET, Includes: Bag, Tool Kit, First Aid Kit, Triangle-Reflective, Label and Fire Extinguisher TOOL SET, Includes: Pliers, Air Guage, Adjustable Wrench, Screwdriver and 6 Combination Wrenches EXTINGUISHER, Fire
2	55352852AA	1	C, F, Z		48				
3	55352848AB	1	C, F, Z		48				



MAGNUM/300/CHARGER (LX)

SERIES LINE
H = HIGHLINE C = CHRYSLER
P = PREMIUM F = EAGLE
S = SPORT

BODY
48 = SEDAN TYPE #8

ENGINE
ERB = 3.XL Mid V6 Engine
EZH = 5.7L V8 HEMI MDS
VCT Engine

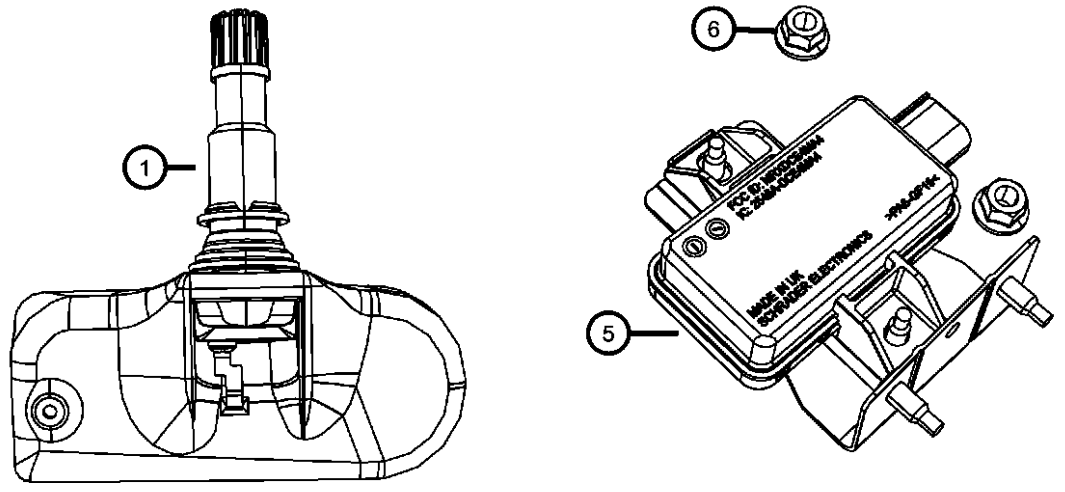
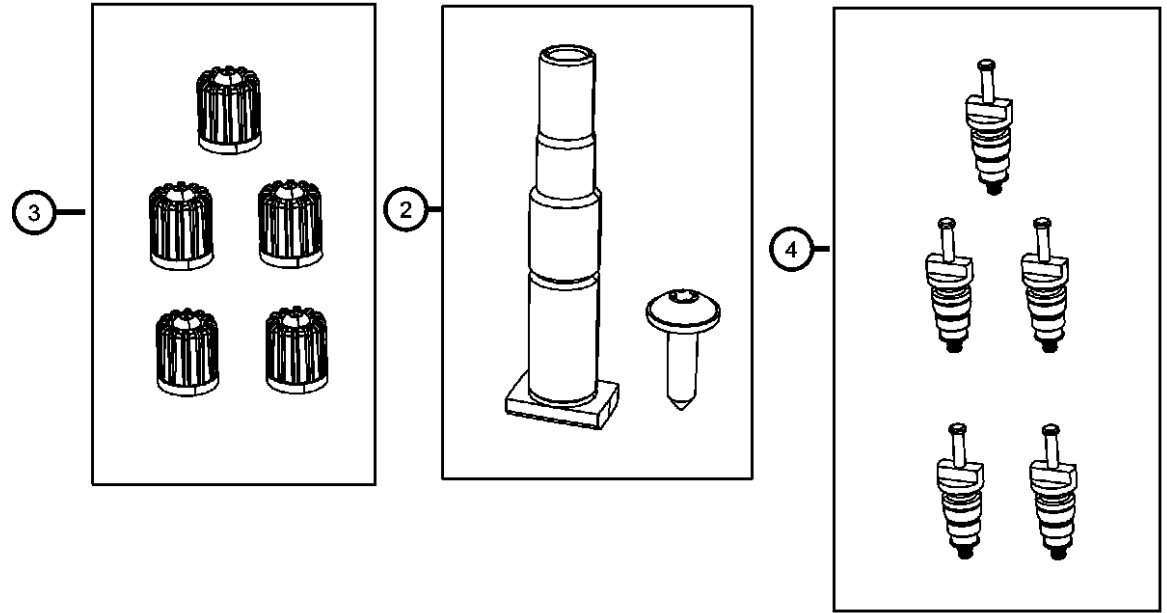
TRANSMISSION
DGJ = 5-Speed Auto W5A580
Transmission

AR = use ase required - = Non illustrated part

2011 LX

Tire Monitoring System
Figure 22-605

ITEM	PART NUMBER	QTY	LINE	SERIES	BODY	ENGINE	TRANS	TRIM	DESCRIPTION
1	56029398AA	4	C, F, Z		48				SENSOR, Tire Pressure
2	68058766AA	1	C, F, Z		48				HARDWARE KIT, Mounting, Includes: Valve Stem and Mounting Screw
3	68058768AA	1	C, F, Z		48				CAP KIT, Valve Stem, Black, Includes: 5 Valve Caps
4	68058769AA	1	C, F, Z		48				VALVE CORE KIT, Valve Stem, Includes: 5 Valve Cores
5	56029543AA	1	C, F, Z		48				MODULE, Low Tire Pressure Warning
6	06104715AA	2	C, F, Z		48				NUT, Hex Flange Lock, M6X1.00



MAGNUM/300/CHARGER (LX)
 SERIES LINE
 H = HIGHLINE C = CHRYSLER
 P = PREMIUM F = EAGLE
 S = SPORT

BODY
 48 = SEDAN TYPE #8

ENGINE
 ERB = 3.XL Mid V6 Engine
 EZH = 5.7L V8 HEMI MDS
 VCT Engine

TRANSMISSION
 DGJ = 5-Speed Auto W5A580
 Transmission

AR = use ase required - = Non illustrated part

Group - 24

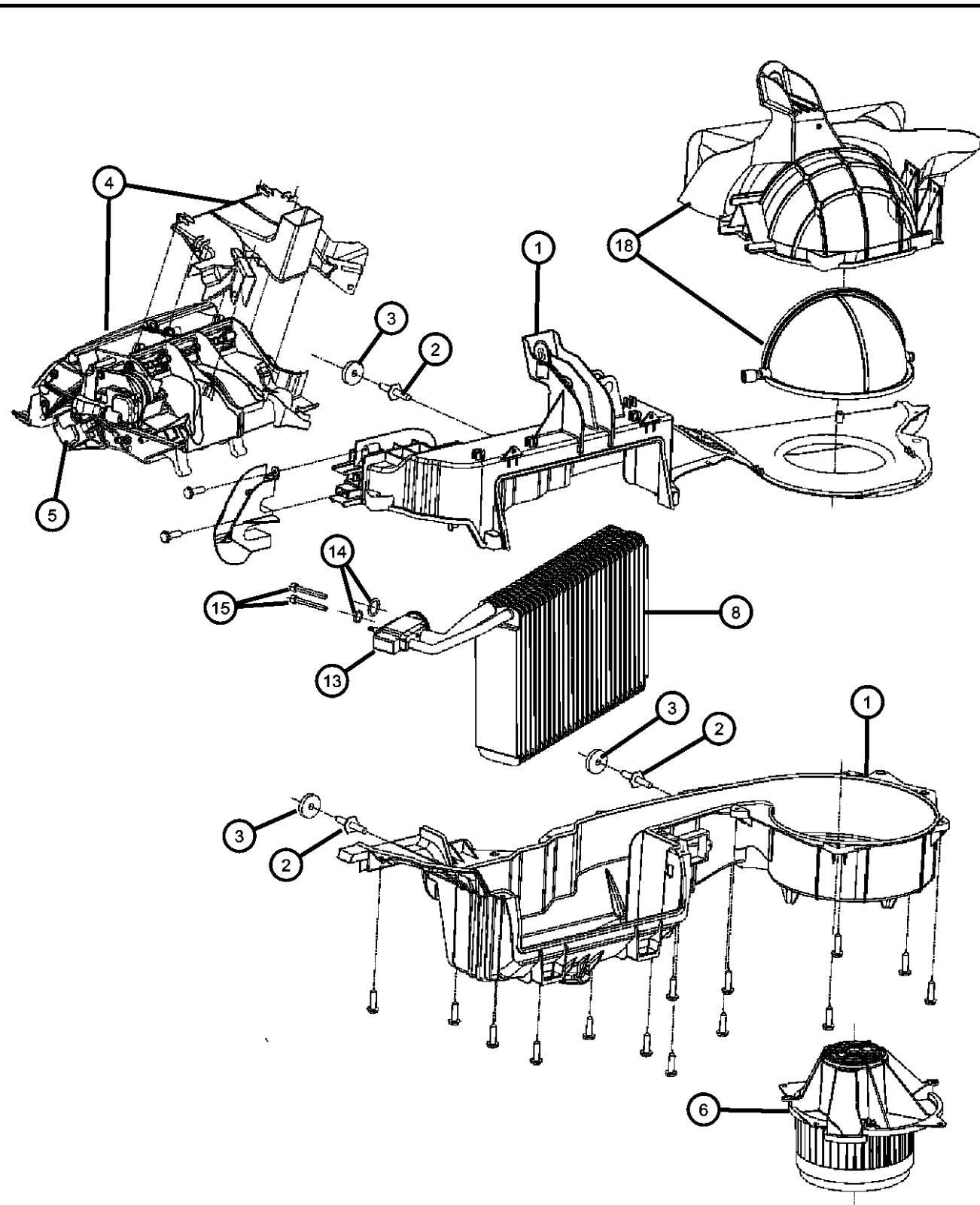
Air Conditioners and Heaters

Group - 24 Air Conditioners and Heaters

Illustration Title	Group-Fig. No.
Air Conditioner and Heater Units	
A/C and Heater Unit.....	Fig. 24 - 120
Cabin Air Filter.....	Fig. 24 - 180
Air Conditioner and Heater Plumbing	
Heater Plumbing 3.6L [ERB]	Fig. 24 - 205
Heater Plumbing 5.7L [EZH]	Fig. 24 - 210
A/C Plumbing	Fig. 24 - 220
Air Conditioner and Heater Controls	
A/C and Heater Controls.....	Fig. 24 - 310
Air Conditioner Compressor and Mounting	
A/C Compressor.....	Fig. 24 - 405
A/C Compressor Mounting	Fig. 24 - 440
Air Ducts	
Ducts	Fig. 24 - 505

024-100 Air Conditioner and Heater Units	024-200 Air Conditioner and Heater Plumbing	024-300 Air Conditioner and Heater Controls	024-400 Air Conditioner Compressor and Mounting
024-500 Air Ducts			

**A/C and Heater Unit
Figure 24-120**



ITEM	PART NUMBER	QTY	LINE	SERIES	BODY	ENGINE	TRANS	TRIM	DESCRIPTION
1	68110618AA	1	C, F		48				HOUSING, A/C And Heater, Includes: Heater Tube Clamp, and Studs.
2		1							STUD, A/C and Heater Housing Mtg., Serviced with Blower Housing, (NOT SERVICED)
3		1							WASHER, A/C Unit Mounting Stud, Serviced with Blower Housing, (NOT SERVICED)
4	68110624AA	1	C, F		48				HOUSING, Distribution, Includes Doors, Links and Levers
5	68033337AA	4	C, F		48				ACTUATOR, A/C and Heater
6	68037308AA	1	C, F		48				MOTOR, Blower with Wheel
-7	68110616AA	1	C, F		48				MODULE, Power, Blower Motor
8	68110611AA	1	C, F		48				EVAPORATOR, Air Conditioning, With Tubes, Expansion Valve, and Seal
-9	68040532AA	1	C, F		48				PROBE, Air Conditioning
-10	68110623AA	1	C, F		48				CORE, Heater
-11		1							O RING, Heater Core, Serviced with Heater Core, (NOT SERVICED)
-12	68110620AA	1	C, F		48				SEAL KIT, A/C And Heater Unit, Includes: Evaporator to Dash, Air Inlet, Defrost and Unit Mounting Washers
13	68110614AA	1	C, F		48				VALVE, A/C Expansion
14		1							O RING, Expansion Valve, Serviced with Expansion Valve, (NOT SERVICED)
15		1							SCREW, Expansion Valve Mounting, Serviced with Expansion Valve, (NOT SERVICED)
-16	68110622AA	1	C, F		48				WIRING, A/C and HEATER
-17	04596511AA	1	C, F, Z		48				DRAIN, A/C And Heater
18	68110621AA	1	C, F		48				HOUSING, Air Inlet, Includes: Door and Actuator

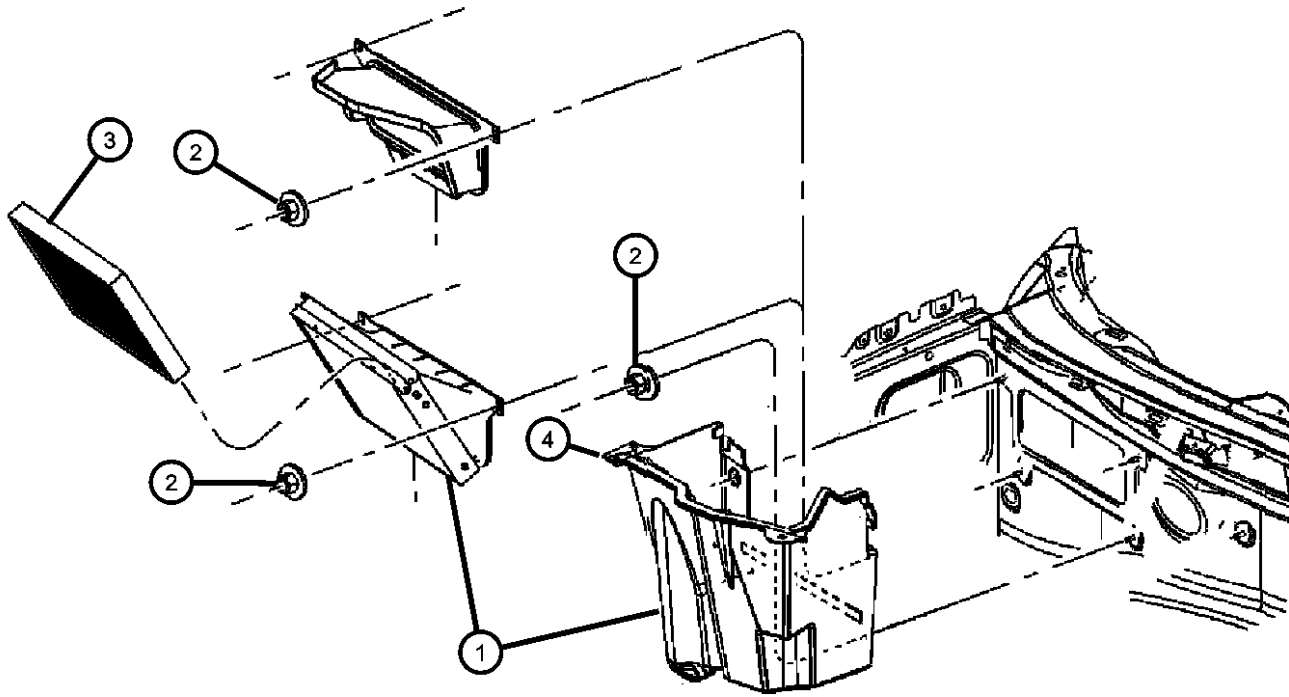
MAGNUM/300/CHARGER (LX)

SERIES	LINE	BODY	ENGINE	TRANSMISSION
H = HIGHLINE P = PREMIUM S = SPORT	C = CHRYSLER F = EAGLE	48 = SEDAN TYPE #8	ERB = 3.XL Mid V6 Engine EZH = 5.7L V8 HEMI MDS VCT Engine	DGJ = 5-Speed Auto W5A580 Transmission

AR = use ase required - = Non illustrated part

**Cabin Air Filter
Figure 24-180**

ITEM	PART NUMBER	QTY	LINE	SERIES	BODY	ENGINE	TRANS	TRIM	DESCRIPTION
1	55038179AB	1	C, F, Z		48				PLENUM, Fresh Air Inlet, Includes:Filter
2	06503825	5	C, F, Z		48				NUT AND WASHER, Hex, M6X1.00
3	68071668AA	1	C, F, Z		48				FILTER, Cabin Air
4	06506293AA	1	C, F, Z		48				PIN, Push



MAGNUM/300/CHARGER (LX)

SERIES LINE
H = HIGHLINE C = CHRYSLER
P = PREMIUM F = EAGLE
S = SPORT

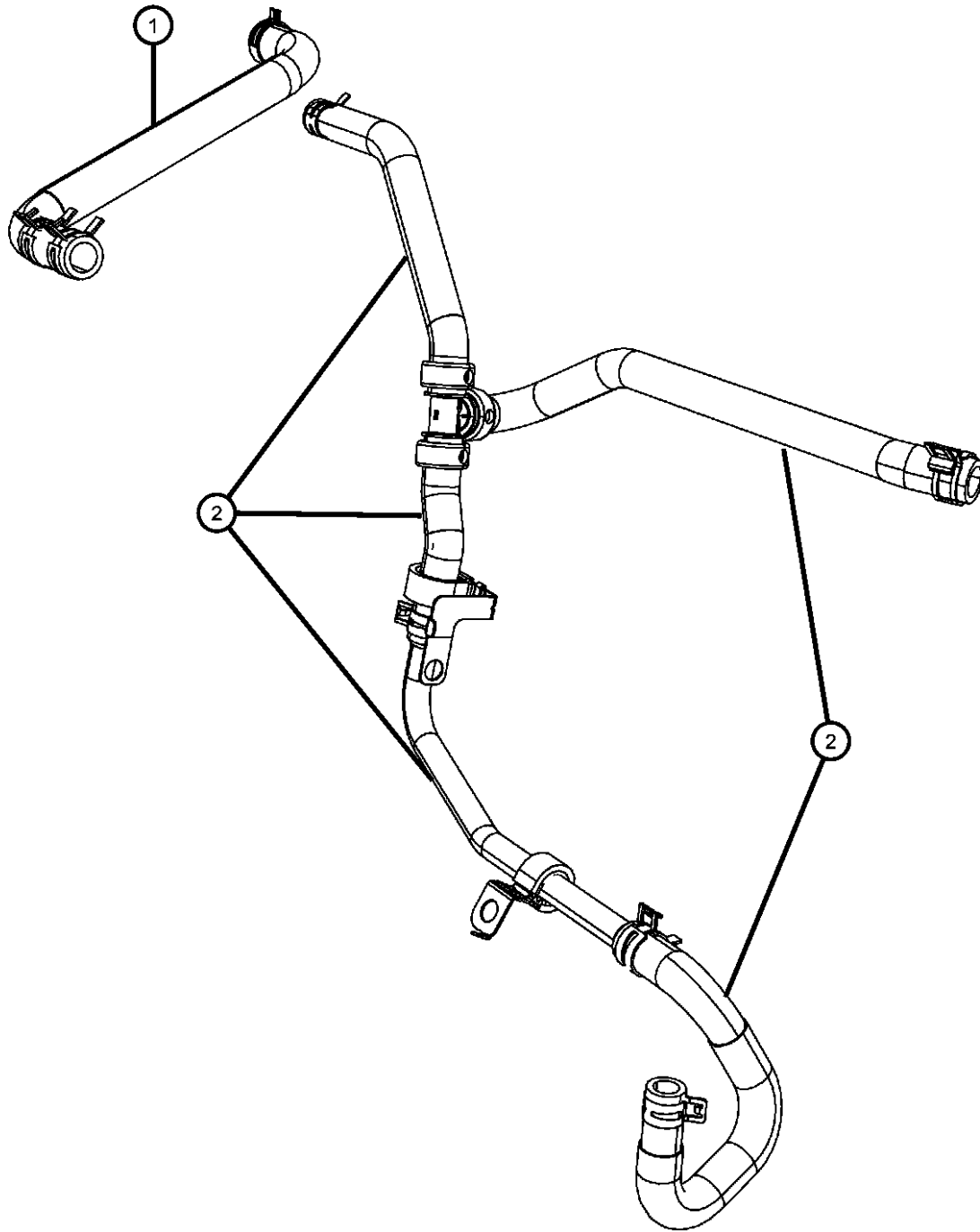
BODY
48 = SEDAN TYPE #8

ENGINE
ERB = 3.XL Mid V6 Engine
EZH = 5.7L V8 HEMI MDS
VCT Engine

TRANSMISSION
DGJ = 5-Speed Auto W5A580
Transmission

AR = use ase required - = Non illustrated part

**Heater Plumbing 3.6L [ERB]
Figure 24-205**



ITEM	PART NUMBER	QTY	LINE	SERIES	BODY	ENGINE	TRANS	TRIM	DESCRIPTION
1	55038163AD	1	C, F		48	ERB			HOSE, Heater Supply, Includes: Clamps
2	55111208AB	1	C, F		48	ERB			HOSE AND TUBE, Heater Return, Includes: Return Hoses, Clamps, Tubes

MAGNUM/300/CHARGER (LX)

SERIES LINE
H = HIGHLINE C = CHRYSLER
P = PREMIUM F = EAGLE
S = SPORT

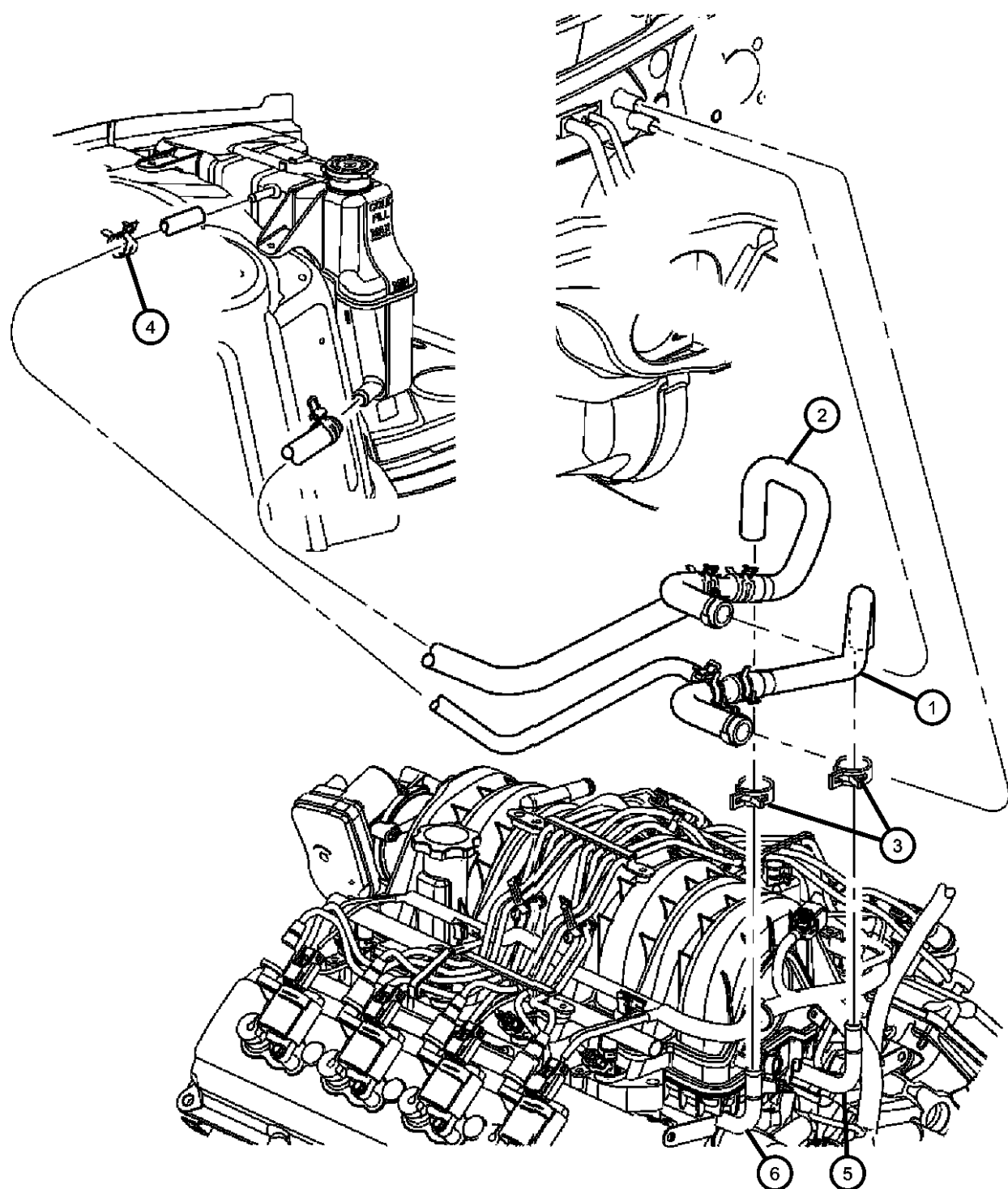
BODY
48 = SEDAN TYPE #8

ENGINE
ERB = 3.XL Mid V6 Engine
EZH = 5.7L V8 HEMI MDS
VCT Engine

TRANSMISSION
DGJ = 5-Speed Auto W5A580
Transmission

AR = use ase required - = Non illustrated part

Heater Plumbing 5.7L [EZH]
Figure 24-210



ITEM	PART NUMBER	QTY	LINE	SERIES	BODY	ENGINE	TRANS	TRIM	DESCRIPTION
1	55038134AB	1	C, F		48	EZH			HOSE, Heater Supply
2	55038133AB	1	C, F		48	EZH			HOSE, Heater Return
3		1							CLAMP, Hose, 24X15, (NOT SERVICED)
4	06504217	1	C, F, Z		48				CLAMP, Hose, M18.5
5	05038501AA	1	C, F, Z		48	EZH			TUBE, Coolant outlet
6	05038503AA	1	C, F, Z		48	EZH			TUBE, Coolant inlet
-7	53013736AA	2	C, F, Z		48	EZH			O RING, Heater Line
-8	06101651	1	C, F, Z		48	EZH			SCREW, Hex Head, M6x1x16, Tube to front Cover

MAGNUM/300/CHARGER (LX)

SERIES LINE
H = HIGHLINE C = CHRYSLER
P = PREMIUM F = EAGLE
S = SPORT

BODY
48 = SEDAN TYPE #8

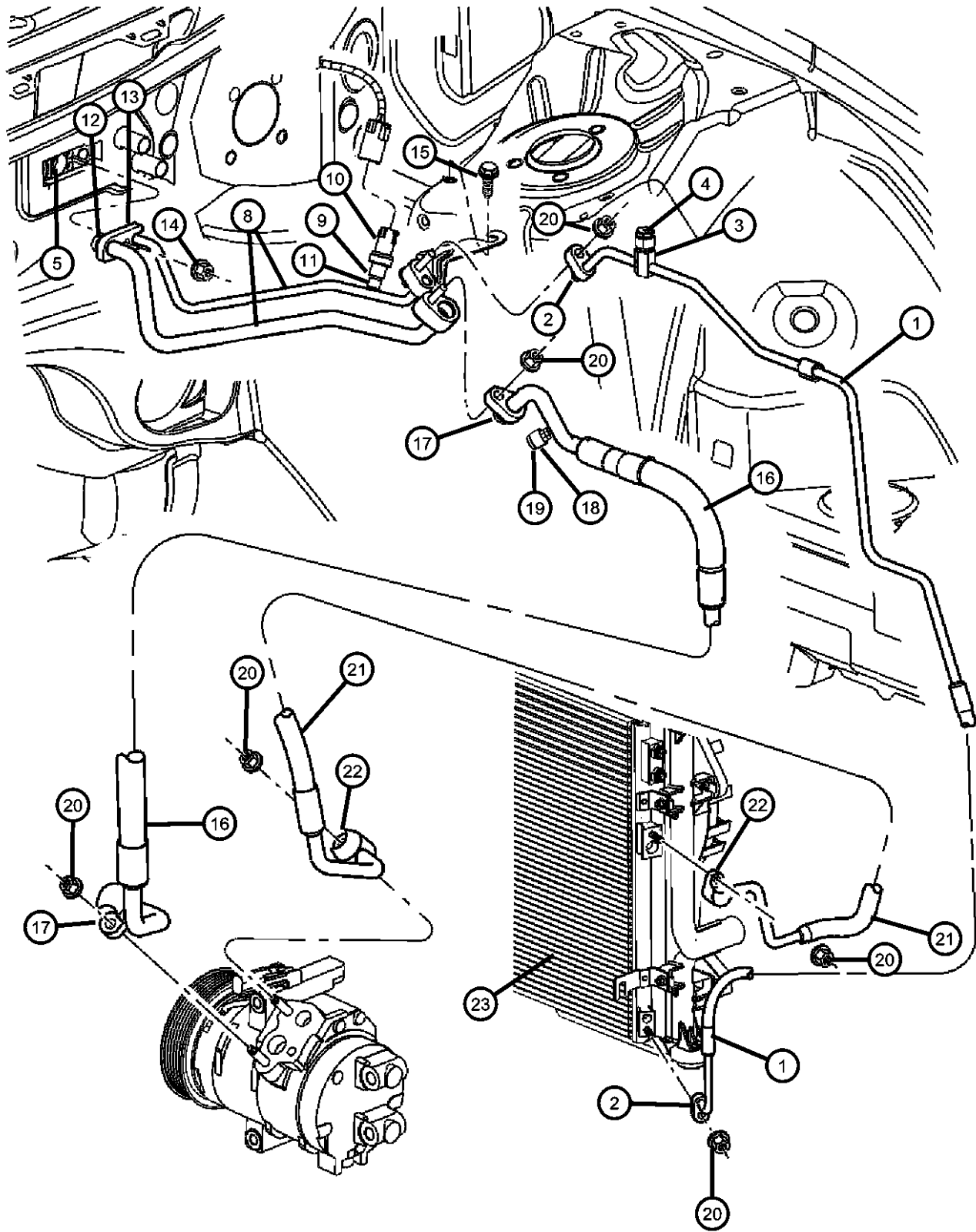
ENGINE
ERB = 3.XL Mid V6 Engine
EZH = 5.7L V8 HEMI MDS
VCT Engine

TRANSMISSION
DGJ = 5-Speed Auto W5A580
Transmission

AR = use ase required - = Non illustrated part

2011 LX

A/C Plumbing
Figure 24-220



ITEM	PART NUMBER	QTY	LINE	SERIES	BODY	ENGINE	TRANS	TRIM	DESCRIPTION
1	55111273AB	1	C, F, Z		48	ERB, EZH			LINE, A/C Liquid
2	68110598AA	2	C, F, Z		48	ERB, EZH			SEAL, A/C Line, Slim Line
3	05179284AA	1	C, F, Z		48	ERB, EZH			VALVE CORE, A/C Line
4	05179285AA	1	C, F, Z		48	ERB, EZH			CAP, A/C Charge Valve
5	68110614AA	1	C, F		48				VALVE, A/C Expansion
-6		1							O RING, Expansion Valve, Serviced with Valve, (NOT SERVICED)
-7		1							O RING, Expansion Valve, Serviced with Valve, (NOT SERVICED)
8									LINE, A/C Suction And Liquid
	55038154AC	1	C, F, Z		48	ERB			
	68081374AC	1	C, F, Z		48	EZH			
9									VALVE CORE, Service Port
	05003461AA	1	C, F, Z		48	EZH			
		1	C, F, Z		48	ERB			
10									VALVE, A/C pressure Transducer
	05174039AB	1	C, F, Z		48	ERB			
		1	C, F, Z		48	EZH			
11									O RING, A/C Line
	05183358AA	1	C, F, Z		48	ERB			
		1	C, F, Z		48	EZH			
12									SEAL, A/C Line, Slim Line
	68110605AA	1	C, F, Z		48	ERB			
		1	C, F, Z		48	EZH			
13									SEAL, A/C Line, Slim Line
	68110604AA	1	C, F, Z		48	ERB			
		1	C, F, Z		48	EZH			
14	06104715AA	2	C, F, Z		48				NUT, Hex Flange Lock, M6X1.00
15		2							SCREW, Hex Head, M6x1x20, (NOT SERVICED)
16	04596610AE	1	C, F, Z		48	EZH			LINE, A/C Suction
17									SEAL, A/C Line, Slim Line
	68084029AA	2	C, F, Z		48	EZH			
		1	C, F, Z		48	ERB			
18									VALVE CORE, Service Port
	05003461AA	1	C, F, Z		48	ERB			
		1	C, F, Z		48	EZH			

MAGNUM/300/CHARGER (LX)

SERIES LINE
H = HIGHLINE C = CHRYSLER
P = PREMIUM F = EAGLE
S = SPORT

BODY
48 = SEDAN TYPE #8

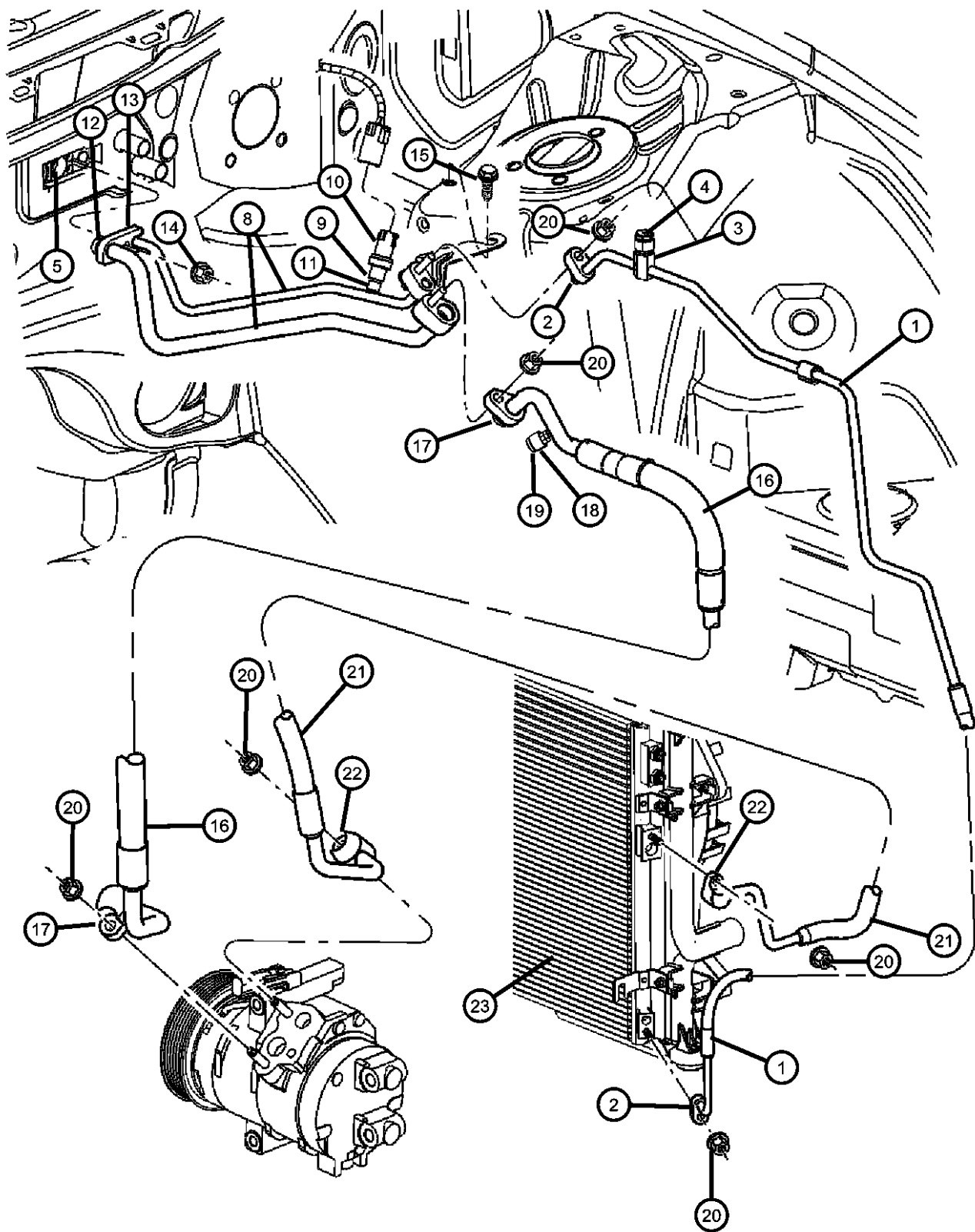
ENGINE
ERB = 3.XL Mid V6 Engine
EZH = 5.7L V8 HEMI MDS
VCT Engine

TRANSMISSION
DGJ = 5-Speed Auto W5A580
Transmission

AR = use ase required - = Non illustrated part

2011 LX

A/C Plumbing
Figure 24-220



ITEM	PART NUMBER	QTY	LINE	SERIES	BODY	ENGINE	TRANS	TRIM	DESCRIPTION
19	05073260AA	1	C, F, Z		48	EZH			CAP
		1	C, F, Z		48	ERB			
20	06101445	2	C, F		48				NUT AND WASHER, Hex, M8x1.25
21									LINE, A/C Discharge
	04596611AD	1	C, F, Z		48	EZH			
	55038153AB	1	C, F, Z		48	ERB			
22									SEAL, A/C Line, Slim Line
	68084027AA	2	C, F, Z		48	EZH			
	68110600AA	2	C, F, Z		48	ERB			
23	68085784AA	1	C, F, Z		48				COOLER, Condenser and Trans Cooler, With Drier
-24	68026799AA	4	C, F, Z		48				O RING, Receiver Drier

MAGNUM/300/CHARGER (LX)

SERIES LINE
H = HIGHLINE C = CHRYSLER
P = PREMIUM F = EAGLE
S = SPORT

BODY
48 = SEDAN TYPE #8

ENGINE
ERB = 3.XL Mid V6 Engine
EZH = 5.7L V8 HEMI MDS
VCT Engine

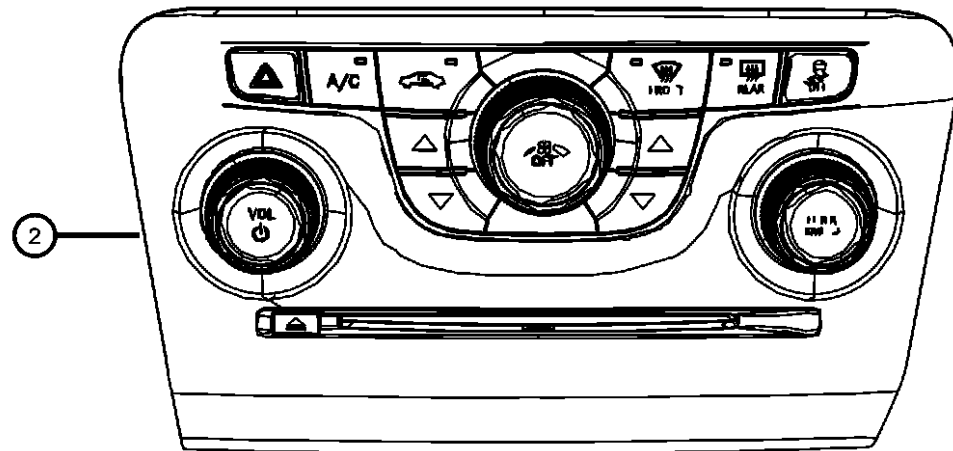
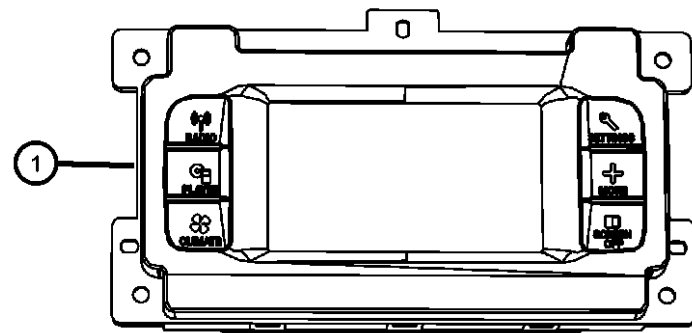
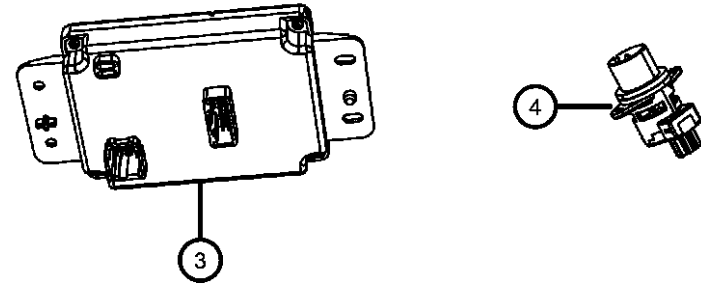
TRANSMISSION
DGJ = 5-Speed Auto W5A580
Transmission

AR = use ase required - = Non illustrated part

2011 LX

A/C and Heater Controls
Figure 24-310

ITEM	PART NUMBER	QTY	LINE	SERIES	BODY	ENGINE	TRANS	TRIM	DESCRIPTION
1	05064632AG	1	C, F, Z		48				CENTER STACK, Upper
2									CENTER STACK, Lower
	1QH14AAAAC	1	C, F, Z		48				[XSR]
	1TD12AAAAC	1	C, F, Z		48				[XSM]
	1QH13AAAAC	1	C, F, Z		48				[XSJ]
	1UA83AAAAC	1	C, F, Z		48				[XSN]
3	55111919AI	1	C, F, Z		48				MODULE, A/C And Heater
4	55111178AC	1	C, F, Z		48				SENSOR, Temperature Cabin Air



MAGNUM/300/CHARGER (LX)

SERIES LINE
H = HIGHLINE C = CHRYSLER
P = PREMIUM F = EAGLE
S = SPORT

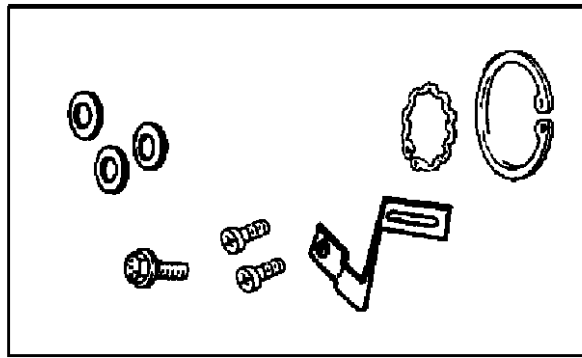
BODY
48 = SEDAN TYPE #8

ENGINE
ERB = 3.XL Mid V6 Engine
EZH = 5.7L V8 HEMI MDS
VCT Engine

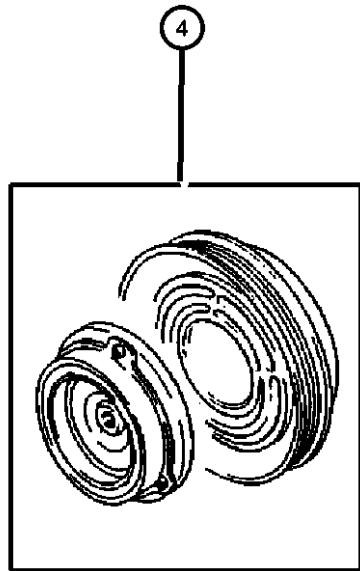
TRANSMISSION
DGJ = 5-Speed Auto W5A580
Transmission

AR = use ase required - = Non illustrated part

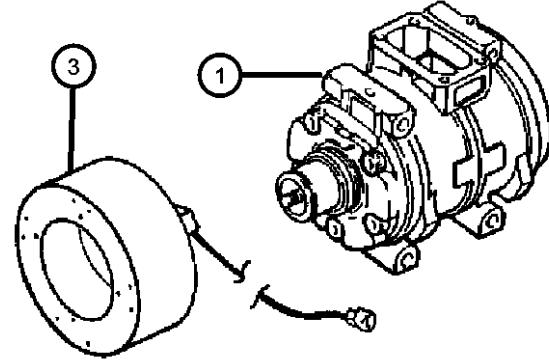
A/C Compressor
Figure 24-405



2

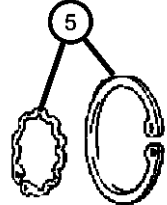


4

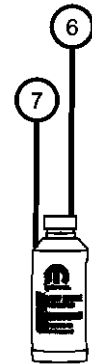


3

1



5



7



8

ITEM	PART NUMBER	QTY	LINE	SERIES	BODY	ENGINE	TRANS	TRIM	DESCRIPTION
1									COMPRESSOR, Air Conditioning, Complete
	68021637AD	1	C, F		48	ERB			
	68028917AB	1	C, F		48	EZH			
2	68068755AA	1	C, F		48	EZH			CLUTCH OVERHAUL KIT, A/C Compressor, Includes: Washers, Snap Rings, Bolt
3									COIL, Air Conditioning Clutch
	68058043AB	1	C, F		48	ERB			
	05140461AA	1	C, F		48	EZH			
4									PULLEY HUB KIT, A/C Compressor
	68084274AA	1	C, F		48	ERB			
	68084834AA	1	C, F		48	EZH			
5	05264454	1	C, F		48	EZH			SNAP RING KIT, A/C Clutch, Includes: Stator and Rotor Snap Ring
6	82300102	1	C, F		48	EZH			LUBRICANT, A/C Compressor, 250ml, Standard MS-9176
7	05114554AB	1	C, F		48	ERB			LUBRICANT, Compressor, 1 Ounce
8	82300101AB	1	C, F		48				REFRIGERANT, R134A, 1 Pound, Standard MS-9175

MAGNUM/300/CHARGER (LX)

SERIES LINE
H = HIGHLINE C = CHRYSLER
P = PREMIUM F = EAGLE
S = SPORT

BODY
48 = SEDAN TYPE #8

ENGINE
ERB = 3.XL Mid V6 Engine
EZH = 5.7L V8 HEMI MDS VCT Engine

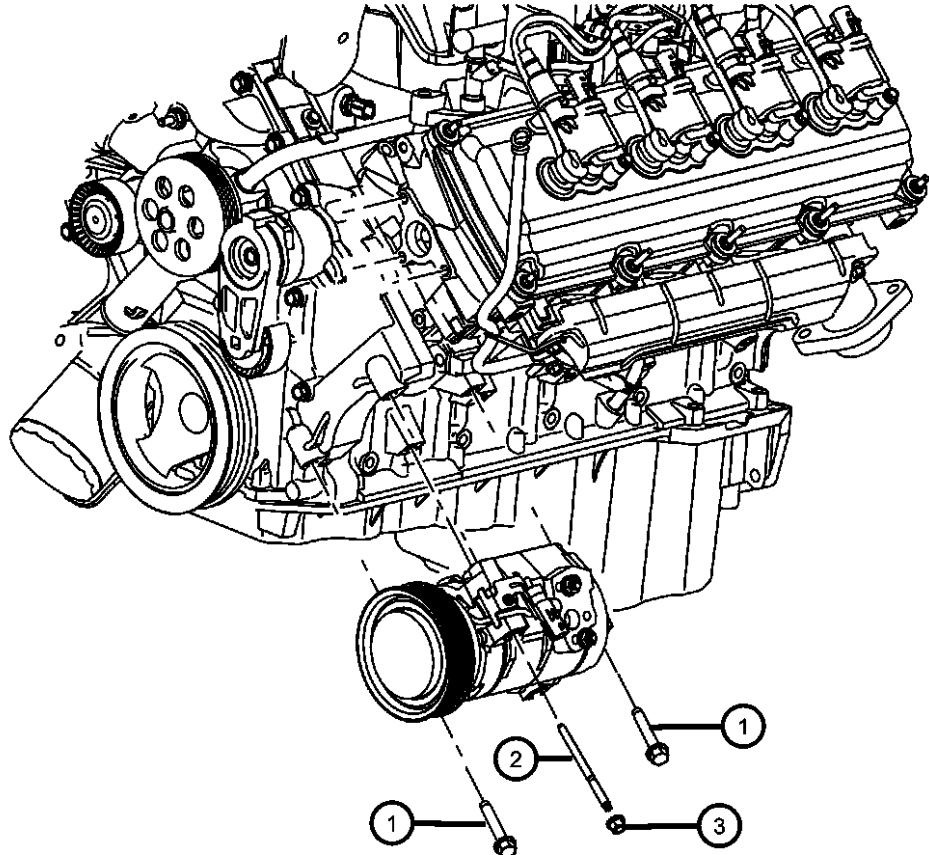
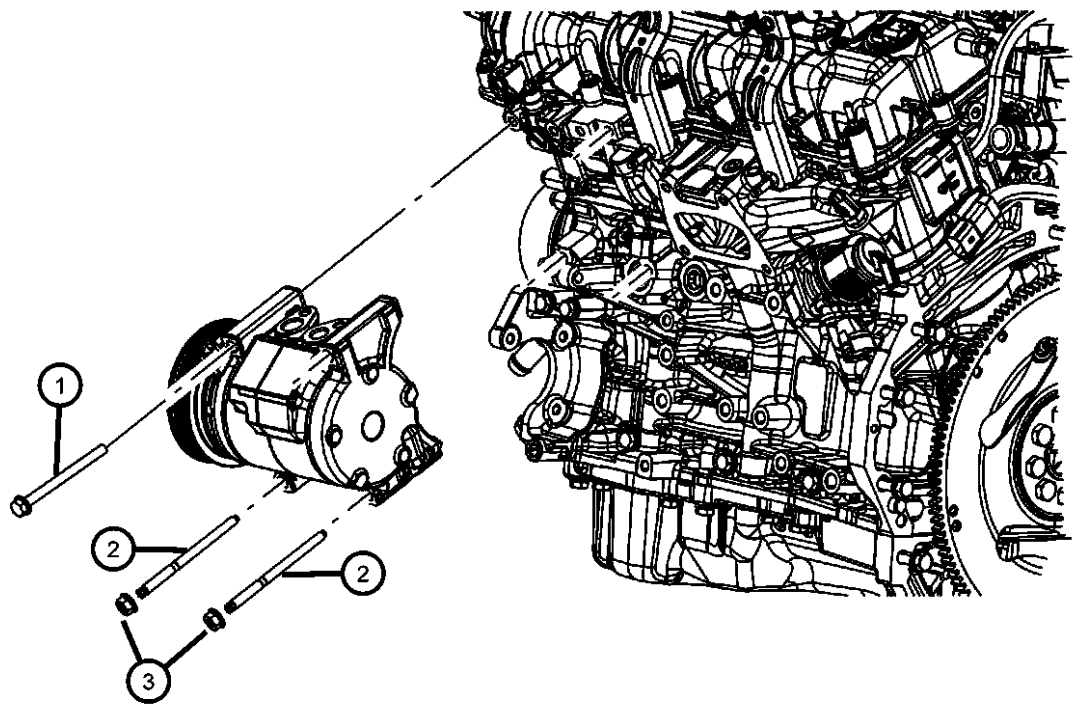
TRANSMISSION
DGJ = 5-Speed Auto W5A580 Transmission

AR = use ase required - = Non illustrated part

2011 LX

**A/C Compressor Mounting
Figure 24-440**

ITEM	PART NUMBER	QTY	LINE	SERIES	BODY	ENGINE	TRANS	TRIM	DESCRIPTION
1	06509468AA	2	C, F, Z		48	ERB			BOLT, HEX Flange HEAD, M8-1.25X100
		2	C, F, Z		48	EZH			
2	06509443AA	2	C, F, Z		48	ERB			STUD, M8X1.25X125.00
		1	C, F, Z		48	EZH			
3	06104709AA	2	C, F, Z		48				NUT, Hex Flange, M8x1.25

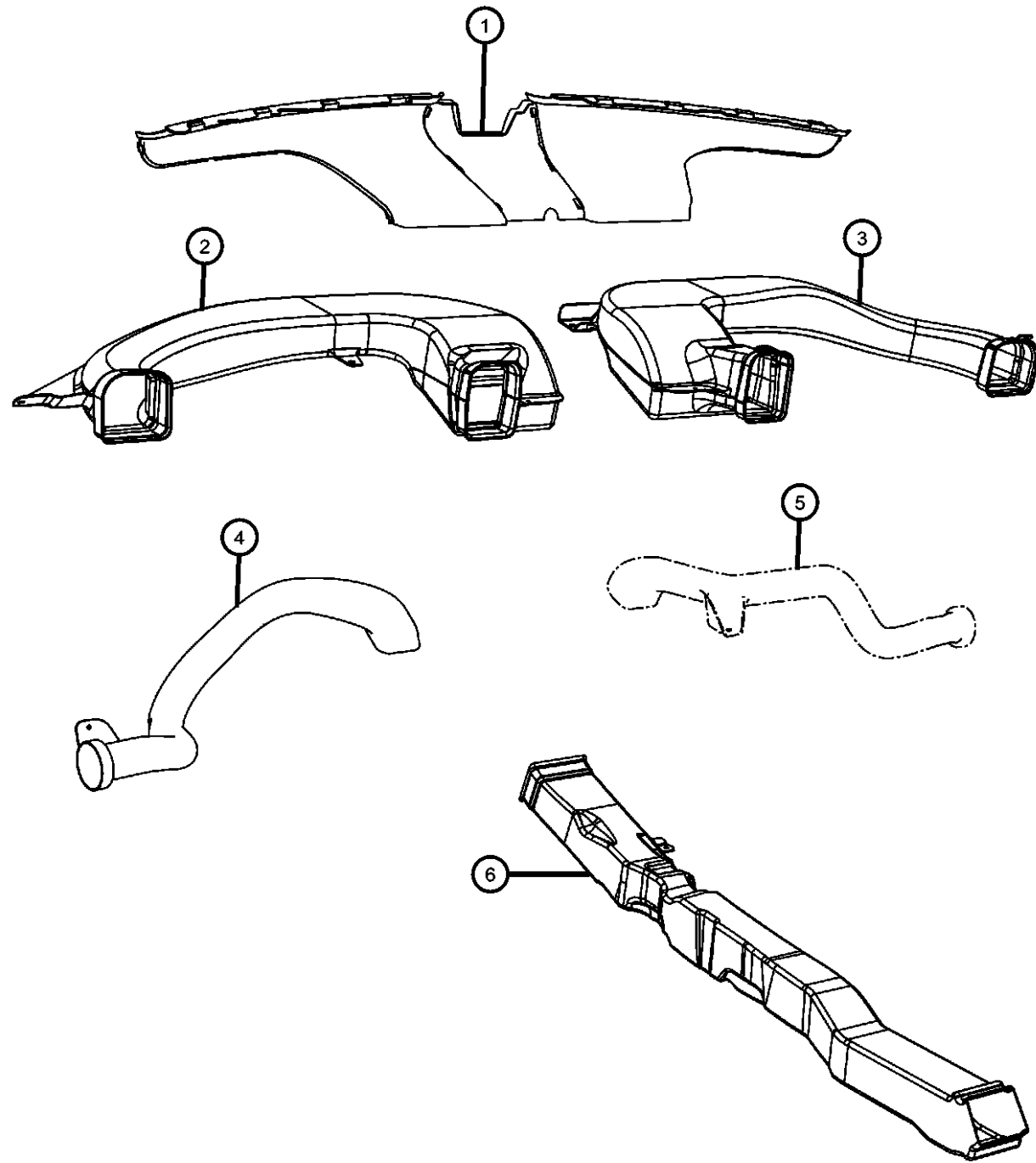


MAGNUM/300/CHARGER (LX)

SERIES	LINE	BODY	ENGINE	TRANSMISSION
H = HIGHLINE	C = CHRYSLER	48 = SEDAN TYPE #8	ERB = 3.XL Mid V6 Engine	DGJ = 5-Speed Auto W5A580
P = PREMIUM	F = EAGLE		EZH = 5.7L V8 HEMI MDS	Transmission
S = SPORT			VCT Engine	

AR = use ase required - = Non illustrated part

Ducts
Figure 24-505



ITEM	PART NUMBER	QTY	LINE	SERIES	BODY	ENGINE	TRANS	TRIM	DESCRIPTION
1	68110727AA	1	C, F		48				DUCT, Defroster
2	68138267AA	1	C, F		48				DUCT, A/C OutletLeft
3	68138266AA	1	C, F		48				DUCT, A/C OutletRight
4	68110635AA	1	C, F		48				DUCT, DemisterLeft
5	68110634AA	1	C, F		48				DUCT, DemisterRight
6	04662071AB	1	C, F		48				DUCT, Floor Console

MAGNUM/300/CHARGER (LX)

SERIES LINE
H = HIGHLINE C = CHRYSLER
P = PREMIUM F = EAGLE
S = SPORT

BODY
48 = SEDAN TYPE #8

ENGINE
ERB = 3.XL Mid V6 Engine
EZH = 5.7L V8 HEMI MDS
VCT Engine

TRANSMISSION
DGJ = 5-Speed Auto W5A580
Transmission

AR = use ase required - = Non illustrated part

2011 LX

Group - 25

Emission Controls

Group - 25 Emission Controls

Illustration Title

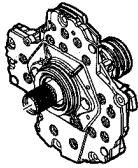
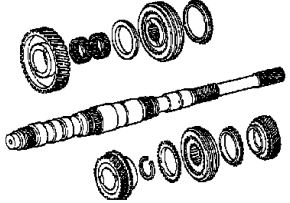
Group-Fig. No.

Vacuum Canister/Leak Detection Pump

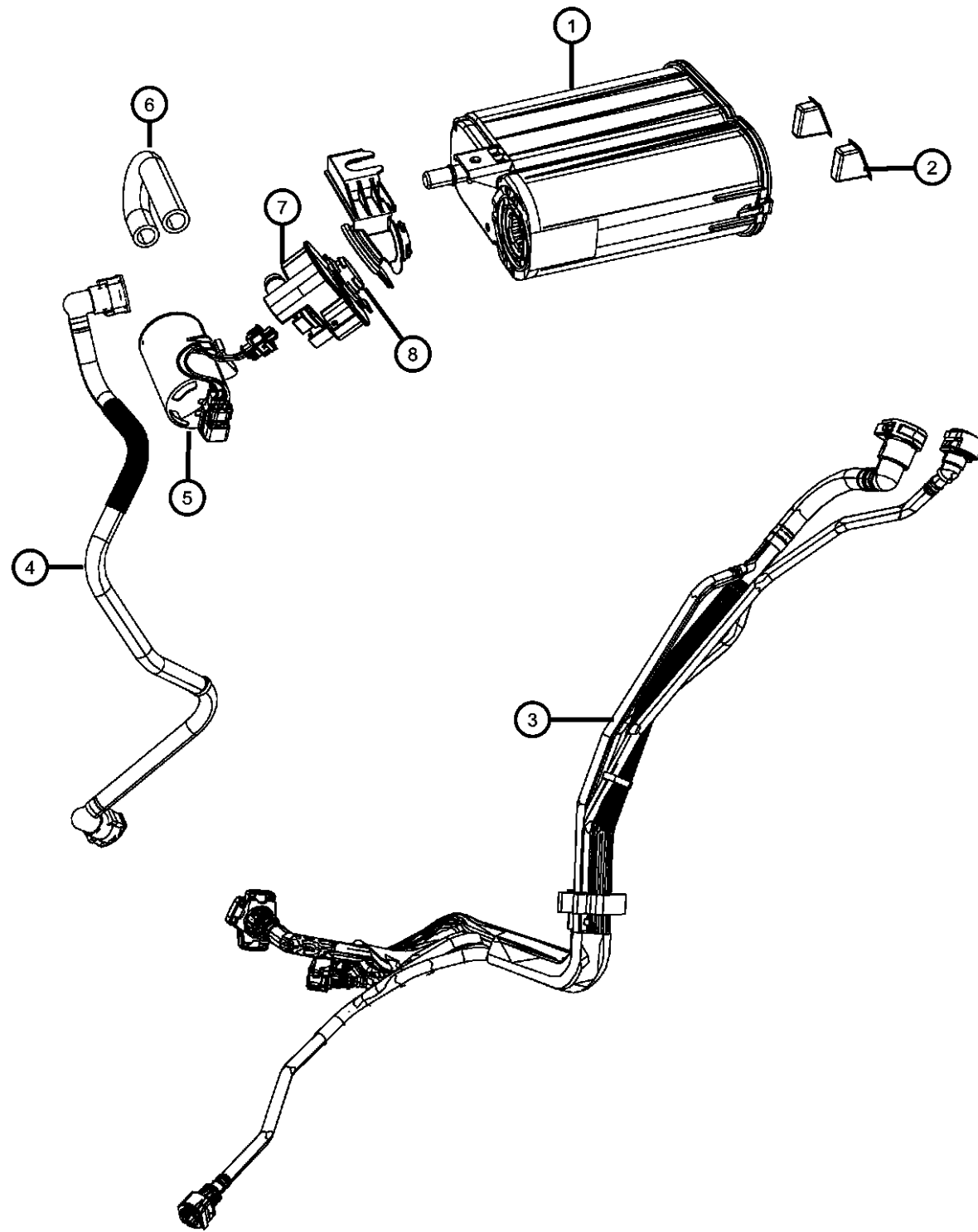
Vapor Canister & Leak Detection PumpFig. 25 - 305

Emission Harness

Emission Control Vacuum HarnessFig. 25 - 405

<p>025-300 Vacuum Canister/Leak Detection Pump</p> 	<p>025-400 Emission Harness</p> 		
---	--	--	--

Vapor Canister & Leak Detection Pump
Figure 25-305



ITEM	PART NUMBER	QTY	LINE	SERIES	BODY	ENGINE	TRANS	TRIM	DESCRIPTION
1	04593937AC	1	C, F, Z		48	ERB, EZH			CANISTER, Vapor
	68057086AC	1	C, F, Z		48	ERB, EZH			Consists of Items 2, 4, 5, 6, & 7
2	04578656AA	1	C, F, Z		48	ERB, EZH			GROMMET, Vapor Canister Mounting
3	68072086AD	1	C, F, Z		48				TUBE, Canister Purge
4	68103987AA	1	C, F, Z		48				TUBE, Fuel Vapor
5	04891564AC	1	C, F, Z		48	ERB, EZH			FILTER, Leak Detection Pump
6	04578654AA	1	C, F, Z		48	ERB, EZH			HOSE, Canister to Filter
7	04891685AB	1	C, F, Z		48	ERB, EZH			DETECTOR, Evaporative System Integrity Module, Included with Item 1
8	52129436AA	1	C, F, Z		48	ERB, EZH			SEAL, Vapor canister, Seal, Included with Item 1
-9	06505953AA	1	C, F, Z		48	ERB, EZH			NUT AND WASHER, M6x1, Vapor Canister Assy to Body, Mounting

MAGNUM/300/CHARGER (LX)

SERIES LINE
H = HIGHLINE C = CHRYSLER
P = PREMIUM F = EAGLE
S = SPORT

BODY
48 = SEDAN TYPE #8

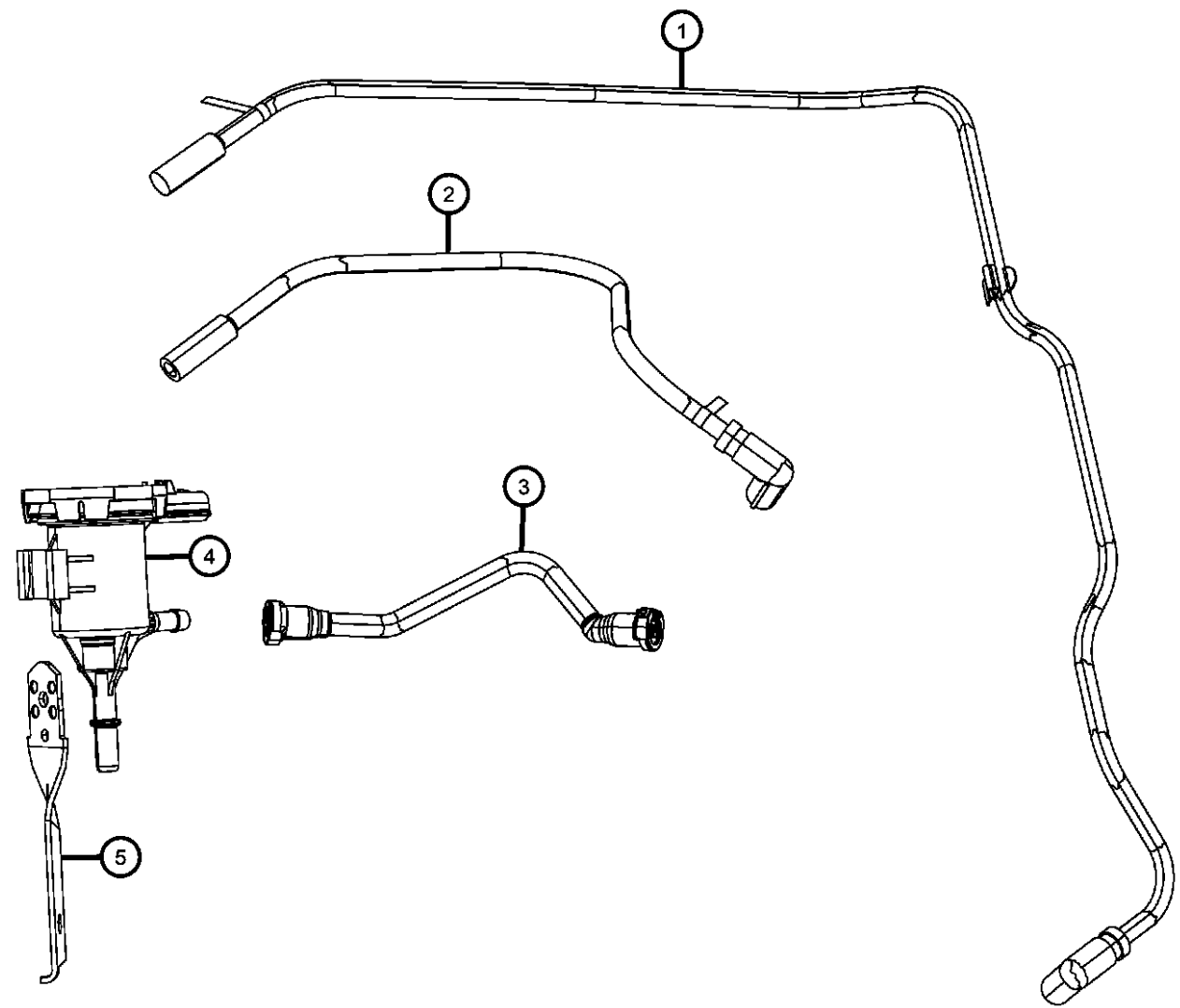
ENGINE
ERB = 3.XL Mid V6 Engine
EZH = 5.7L V8 HEMI MDS VCT Engine

TRANSMISSION
DGJ = 5-Speed Auto W5A580 Transmission

AR = use ase required - = Non illustrated part

2011 LX

**Emission Control Vacuum Harness
Figure 25-405**



ITEM	PART NUMBER	QTY	LINE	SERIES	BODY	ENGINE	TRANS	TRIM	DESCRIPTION
1	04578627AA	1	C, F, Z		48	EZH			TUBE, Canister Purge
2	68057481AB	1	C, F, Z		48	ERB			TUBE, Canister Purge
3									HOSE
	04578630AD	1	C, F, Z		48	ERB			
		1	C, F, Z		48	EZH			
4									VALVE, Linear Purge
	04891738AA	1	C, F, Z		48	ERB			
		1	C, F, Z		48	EZH			
5	04578419AB	1	C, F, Z		48	ERB, EZH			BRACKET, Proportional Purge Solenoid
-6	06102142AA	1	C, F, Z		48	ERB, EZH			SCREW, Hex Head, M6x1x15, Purge Solenoid Bracket to Body, Mounting

MAGNUM/300/CHARGER (LX)

SERIES	LINE	BODY	ENGINE	TRANSMISSION
H = HIGHLINE	C = CHRYSLER	48 = SEDAN TYPE #8	ERB = 3.XL Mid V6 Engine	DGJ = 5-Speed Auto W5A580
P = PREMIUM	F = EAGLE		EZH = 5.7L V8 HEMI MDS	Transmission
S = SPORT			VCT Engine	

AR = use ase required - = Non illustrated part

Group - 26

Labels

Group - 26 Labels

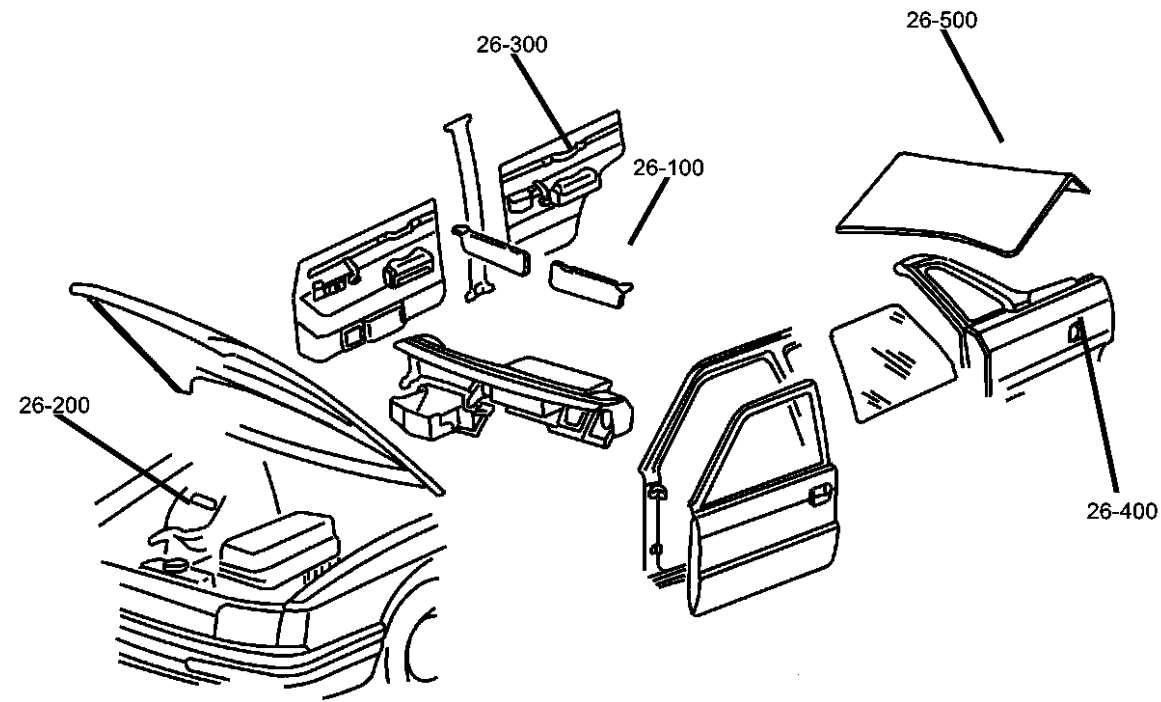


Illustration Title

Group-Fig. No.

Interior

Instrument Panel Fig. 26 - 105
 Visor Fig. 26 - 110

Under Hood

Engine Compartment Fig. 26 - 205
 Hood Fig. 26 - 220

Doors

Front Door Fig. 26 - 305
 Rear Door Fig. 26 - 310
 Fuel Door Fig. 26 - 315
 B-Pillar Fig. 26 - 320

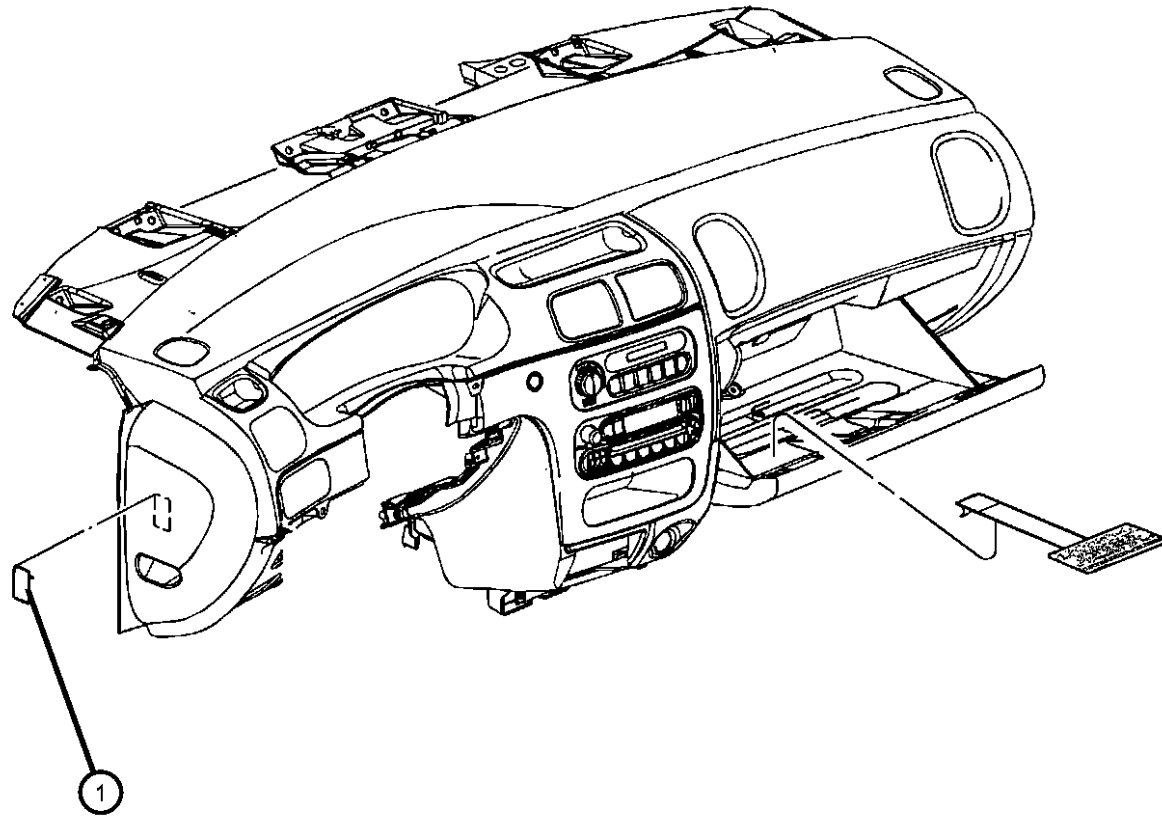
Trunk

Jack Fig. 26 - 505

026-100 Interior	026-200 Under Hood	026-300 Doors	026-500 Trunk
----------------------------	------------------------------	-------------------------	-------------------------

Instrument Panel
Figure 26-105

ITEM	PART NUMBER	QTY	LINE	SERIES	BODY	ENGINE	TRANS	TRIM	DESCRIPTION
1		1							LABEL, Air Bag, (NOT SERVICED)



MAGNUM/300/CHARGER (LX)

SERIES LINE
H = HIGHLINE C = CHRYSLER
P = PREMIUM F = EAGLE
S = SPORT

BODY
48 = SEDAN TYPE #8

ENGINE
ERB = 3.XL Mid V6 Engine
EZH = 5.7L V8 HEMI MDS
VCT Engine

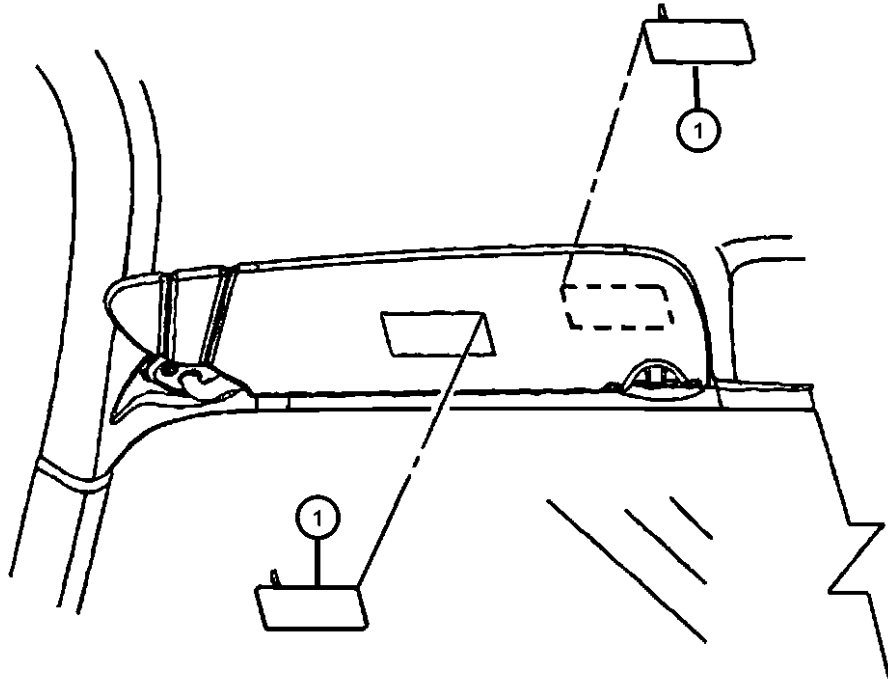
TRANSMISSION
DGJ = 5-Speed Auto W5A580
Transmission

AR = use ase required - = Non illustrated part

2011 LX

Visor
Figure 26-110

ITEM	PART NUMBER	QTY	LINE	SERIES	BODY	ENGINE	TRANS	TRIM	DESCRIPTION
1	05170020AA	2	C, F, Z		48				LABEL, Air Bag Warning



MAGNUM/300/CHARGER (LX)

SERIES LINE
H = HIGHLINE C = CHRYSLER
P = PREMIUM F = EAGLE
S = SPORT

BODY
48 = SEDAN TYPE #8

ENGINE
ERB = 3.XL Mid V6 Engine
EZH = 5.7L V8 HEMI MDS
VCT Engine

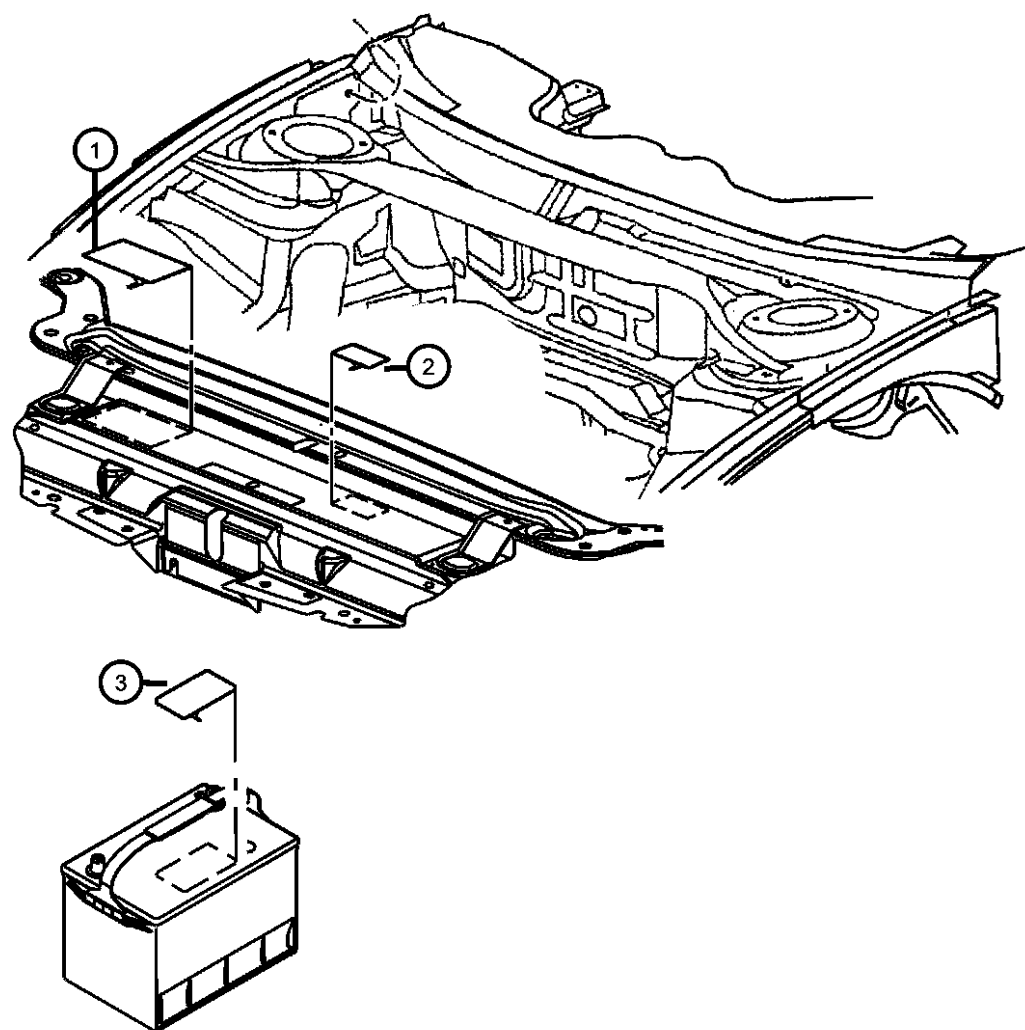
TRANSMISSION
DGJ = 5-Speed Auto W5A580
Transmission

AR = use ase required - = Non illustrated part

2011 LX

**Engine Compartment
Figure 26-205**

ITEM	PART NUMBER	QTY	LINE	SERIES	BODY	ENGINE	TRANS	TRIM	DESCRIPTION
1	04596521AE	1	C, F, Z		48				LABEL, Fan Caution, A/C Spec & Belt Rtg.
2		1							LABEL, Master Cylinder Reservoir, (NOT SERVICED)
3		1							LABEL, Battery, (NOT SERVICED)



MAGNUM/300/CHARGER (LX)

SERIES LINE
H = HIGHLINE C = CHRYSLER
P = PREMIUM F = EAGLE
S = SPORT

BODY
48 = SEDAN TYPE #8

ENGINE
ERB = 3.XL Mid V6 Engine
EZH = 5.7L V8 HEMI MDS
VCT Engine

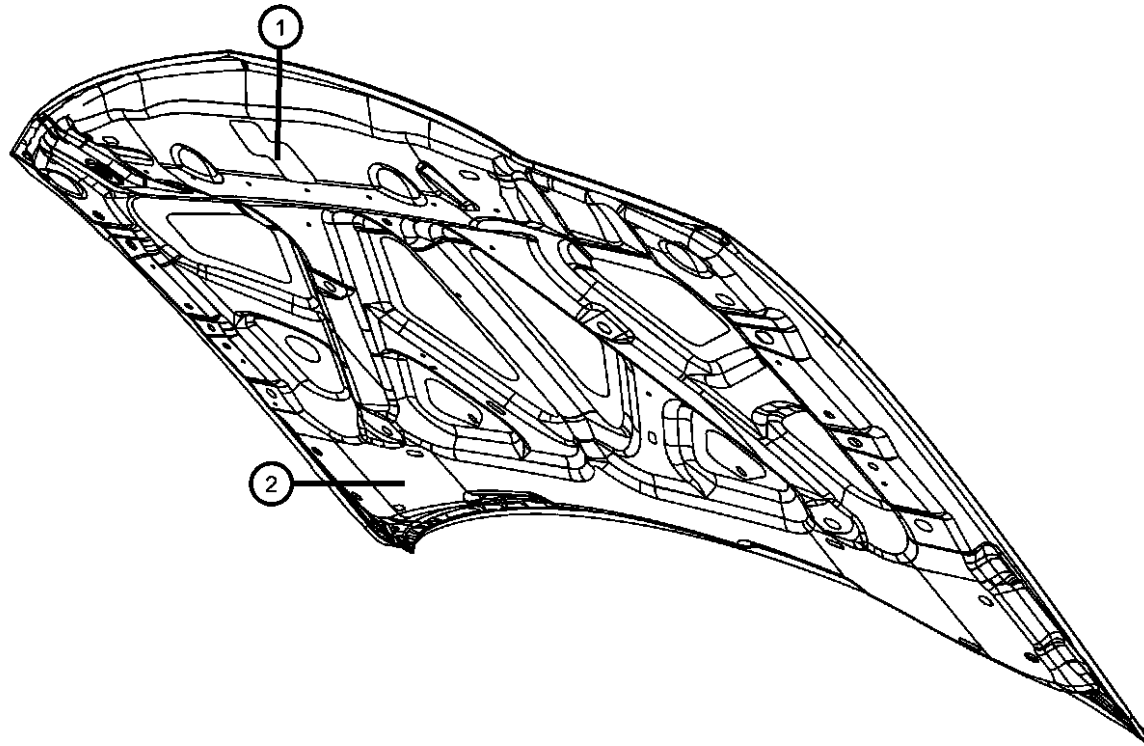
TRANSMISSION
DGJ = 5-Speed Auto W5A580
Transmission

AR = use ase required - = Non illustrated part

2011 LX

Hood
Figure 26-220

ITEM	PART NUMBER	QTY	LINE	SERIES	BODY	ENGINE	TRANS	TRIM	DESCRIPTION
1		1							LABEL, A/C Spec., (NOT SERVICED)
2	52014596AA	1	C, F, Z		48				LABEL, VECI Label



MAGNUM/300/CHARGER (LX)

SERIES LINE
H = HIGHLINE C = CHRYSLER
P = PREMIUM F = EAGLE
S = SPORT

BODY
48 = SEDAN TYPE #8

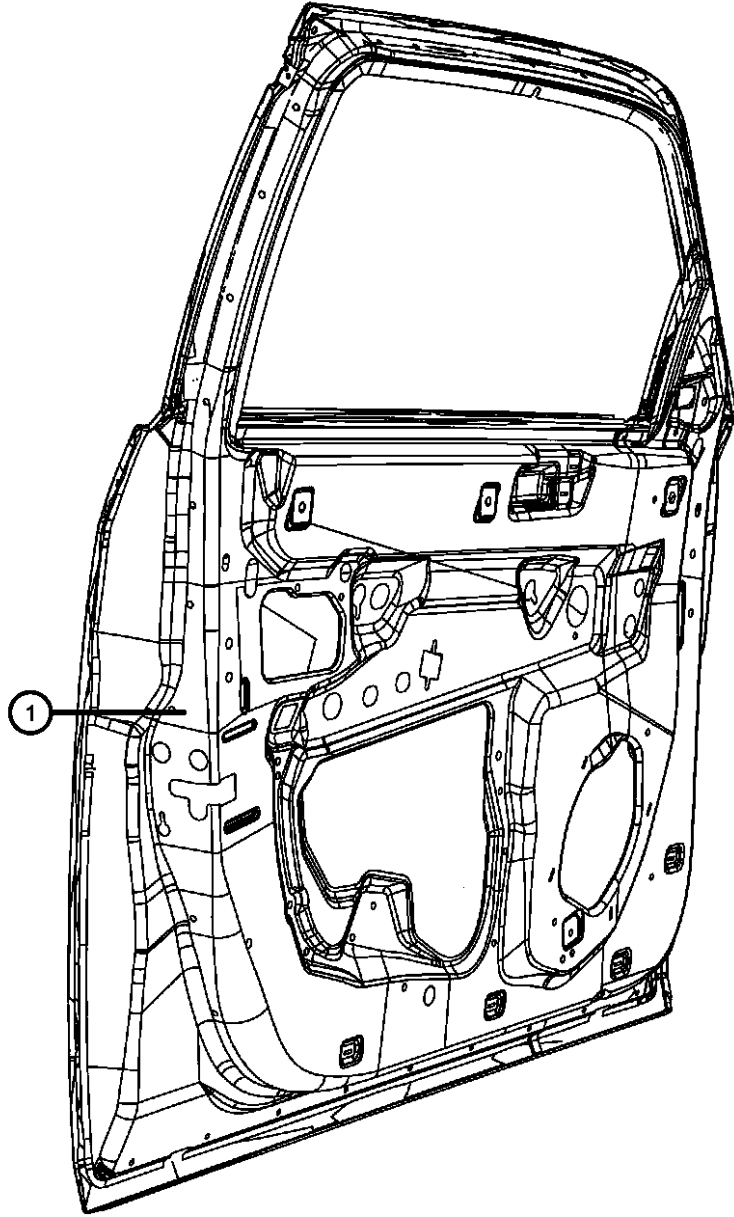
ENGINE
ERB = 3.XL Mid V6 Engine
EZH = 5.7L V8 HEMI MDS
VCT Engine

TRANSMISSION
DGJ = 5-Speed Auto W5A580
Transmission

AR = use ase required - = Non illustrated part

Front Door
Figure 26-305

ITEM	PART NUMBER	QTY	LINE	SERIES	BODY	ENGINE	TRANS	TRIM	DESCRIPTION
1		1							DECAL, Seat Belt Safety, (NOT SERVICED)



MAGNUM/300/CHARGER (LX)

SERIES LINE
H = HIGHLINE C = CHRYSLER
P = PREMIUM F = EAGLE
S = SPORT

BODY
48 = SEDAN TYPE #8

ENGINE
ERB = 3.XL Mid V6 Engine
EZH = 5.7L V8 HEMI MDS
VCT Engine

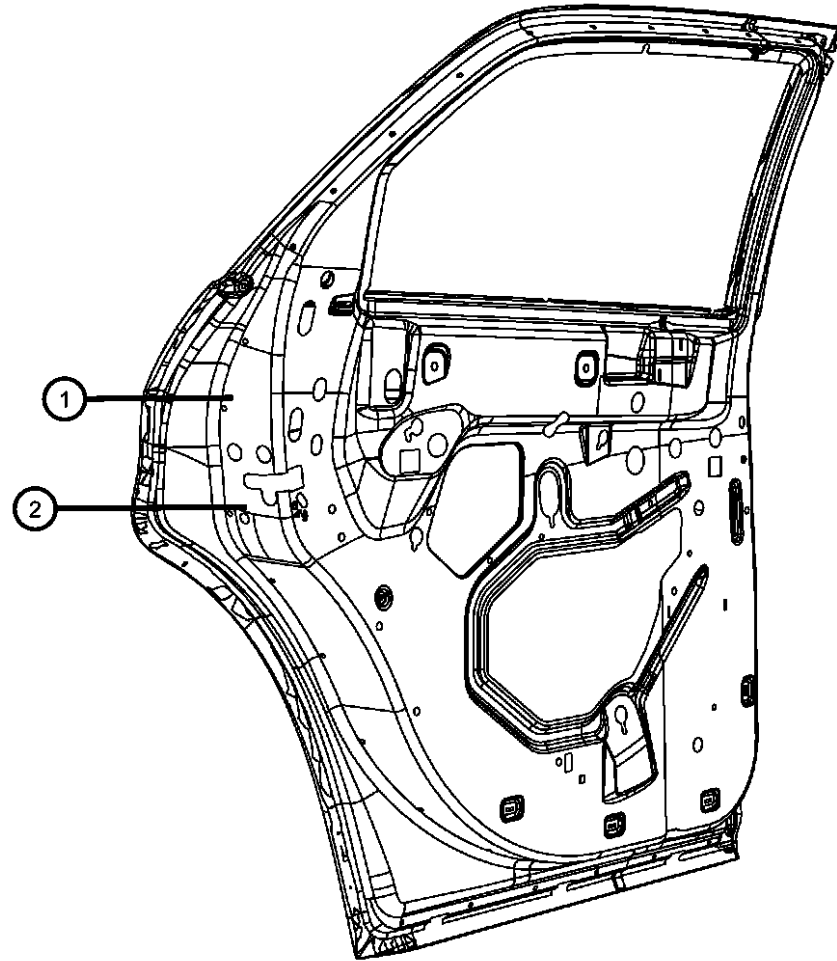
TRANSMISSION
DGJ = 5-Speed Auto W5A580
Transmission

AR = use ase required - = Non illustrated part

2011 LX

Rear Door
Figure 26-310

ITEM	PART NUMBER	QTY	LINE	SERIES	BODY	ENGINE	TRANS	TRIM	DESCRIPTION
1		1							DECAL, Seat Belt Safety, (NOT SERVICED)
2		1							LABEL, Child Protection Lock, (NOT SERVICED)



MAGNUM/300/CHARGER (LX)

SERIES LINE
H = HIGHLINE C = CHRYSLER
P = PREMIUM F = EAGLE
S = SPORT

BODY
48 = SEDAN TYPE #8

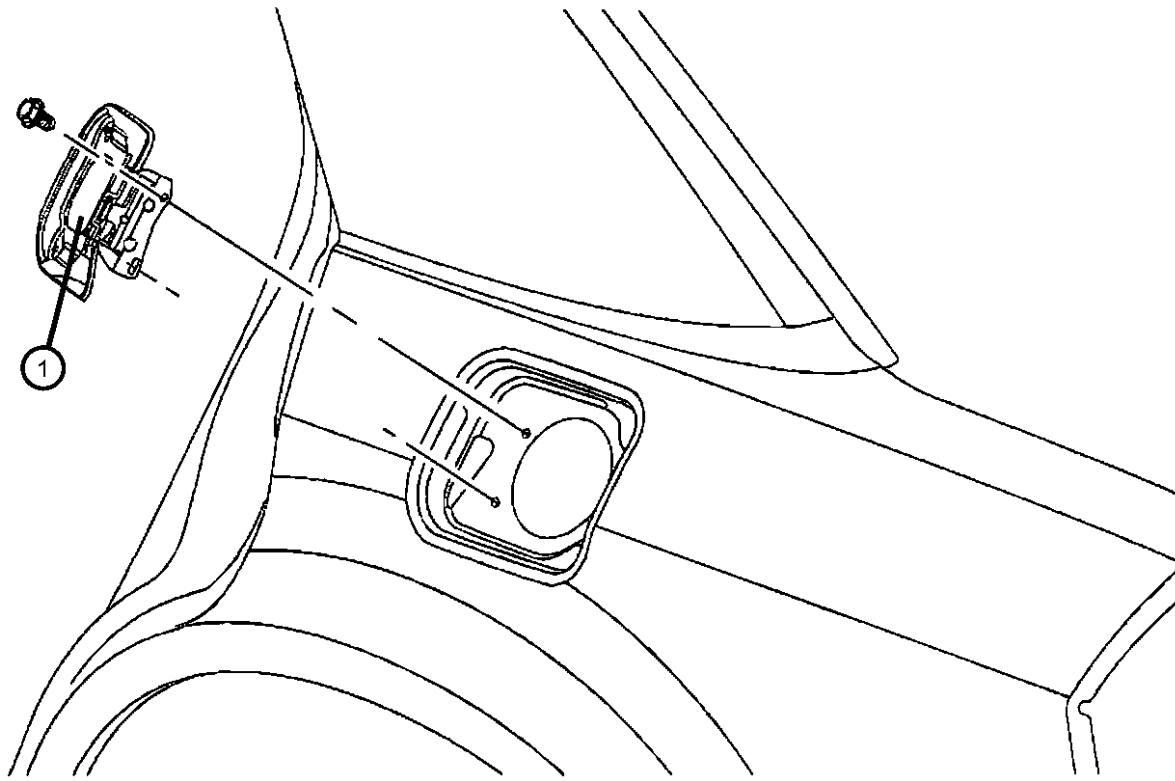
ENGINE
ERB = 3.XL Mid V6 Engine
EZH = 5.7L V8 HEMI MDS
VCT Engine

TRANSMISSION
DGJ = 5-Speed Auto W5A580
Transmission

AR = use ase required - = Non illustrated part

Fuel Door
Figure 26-315

ITEM	PART NUMBER	QTY	LINE	SERIES	BODY	ENGINE	TRANS	TRIM	DESCRIPTION
1	05152042AA	1	C, F		48				LABEL, Fuel Cap



MAGNUM/300/CHARGER (LX)

SERIES LINE
H = HIGHLINE C = CHRYSLER
P = PREMIUM F = EAGLE
S = SPORT

BODY
48 = SEDAN TYPE #8

ENGINE
ERB = 3.XL Mid V6 Engine
EZH = 5.7L V8 HEMI MDS
VCT Engine

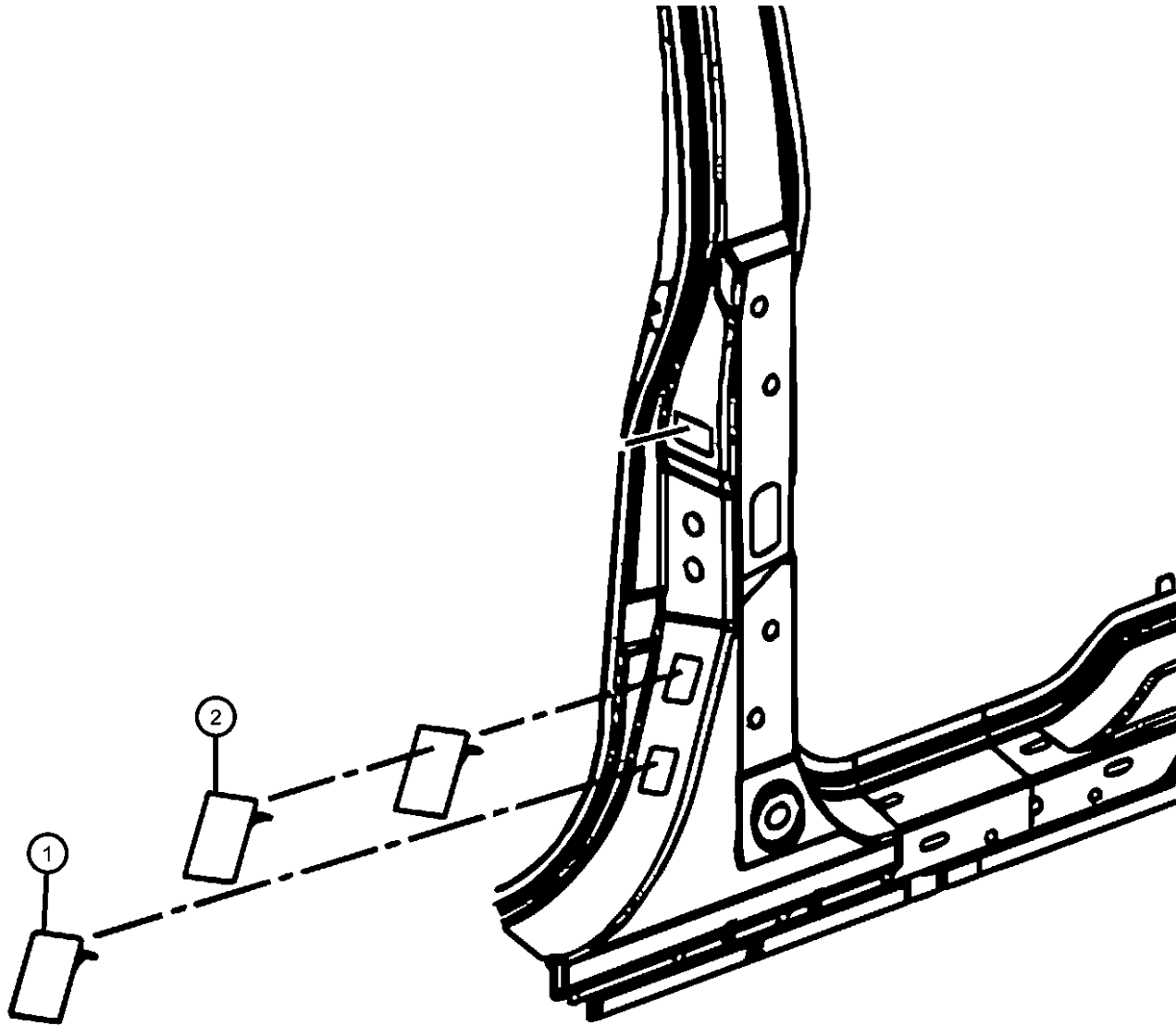
TRANSMISSION
DGJ = 5-Speed Auto W5A580
Transmission

AR = use ase required - = Non illustrated part

2011 LX

B-Pillar
Figure 26-320

ITEM	PART NUMBER	QTY	LINE	SERIES	BODY	ENGINE	TRANS	TRIM	DESCRIPTION
1	05056245AB	1	C, F, Z		48				LABEL, Tire Pressure
			C, F, Z		48			Canada	
			C, F		48			Export	
2	05020527AC	1	C, F, Z		48				LABEL, Mercury Warning
			C, F, Z		48			Canada	



MAGNUM/300/CHARGER (LX)

SERIES LINE
H = HIGHLINE C = CHRYSLER
P = PREMIUM F = EAGLE
S = SPORT

BODY
48 = SEDAN TYPE #8

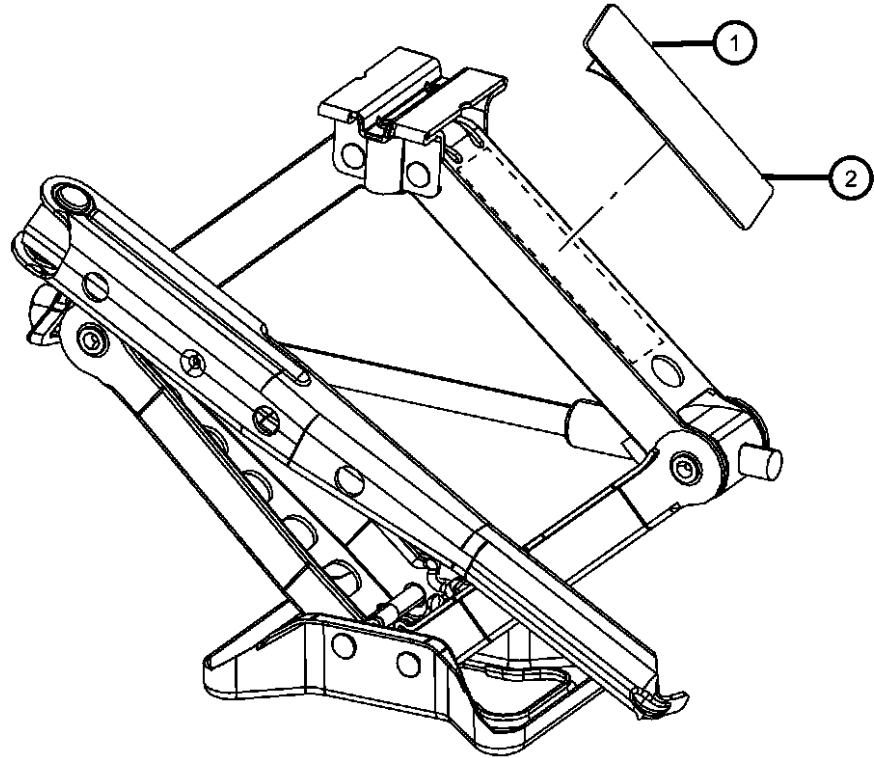
ENGINE
ERB = 3.XL Mid V6 Engine
EZH = 5.7L V8 HEMI MDS
VCT Engine

TRANSMISSION
DGJ = 5-Speed Auto W5A580
Transmission

AR = use ase required - = Non illustrated part

Jack
Figure 26-505

ITEM	PART NUMBER	QTY	LINE	SERIES	BODY	ENGINE	TRANS	TRIM	DESCRIPTION
1		1							LABEL, Jack Caution, (NOT SERVICED)
2		1							LABEL, Jack Instructions, (NOT SERVICED)



MAGNUM/300/CHARGER (LX)

SERIES LINE
H = HIGHLINE C = CHRYSLER
P = PREMIUM F = EAGLE
S = SPORT

BODY
48 = SEDAN TYPE #8

ENGINE
ERB = 3.XL Mid V6 Engine
EZH = 5.7L V8 HEMI MDS
VCT Engine

TRANSMISSION
DGJ = 5-Speed Auto W5A580
Transmission

AR = use ase required - = Non illustrated part

Group - 27

Glass

Group - 27 Glass

Illustration Title

Group-Fig. No.

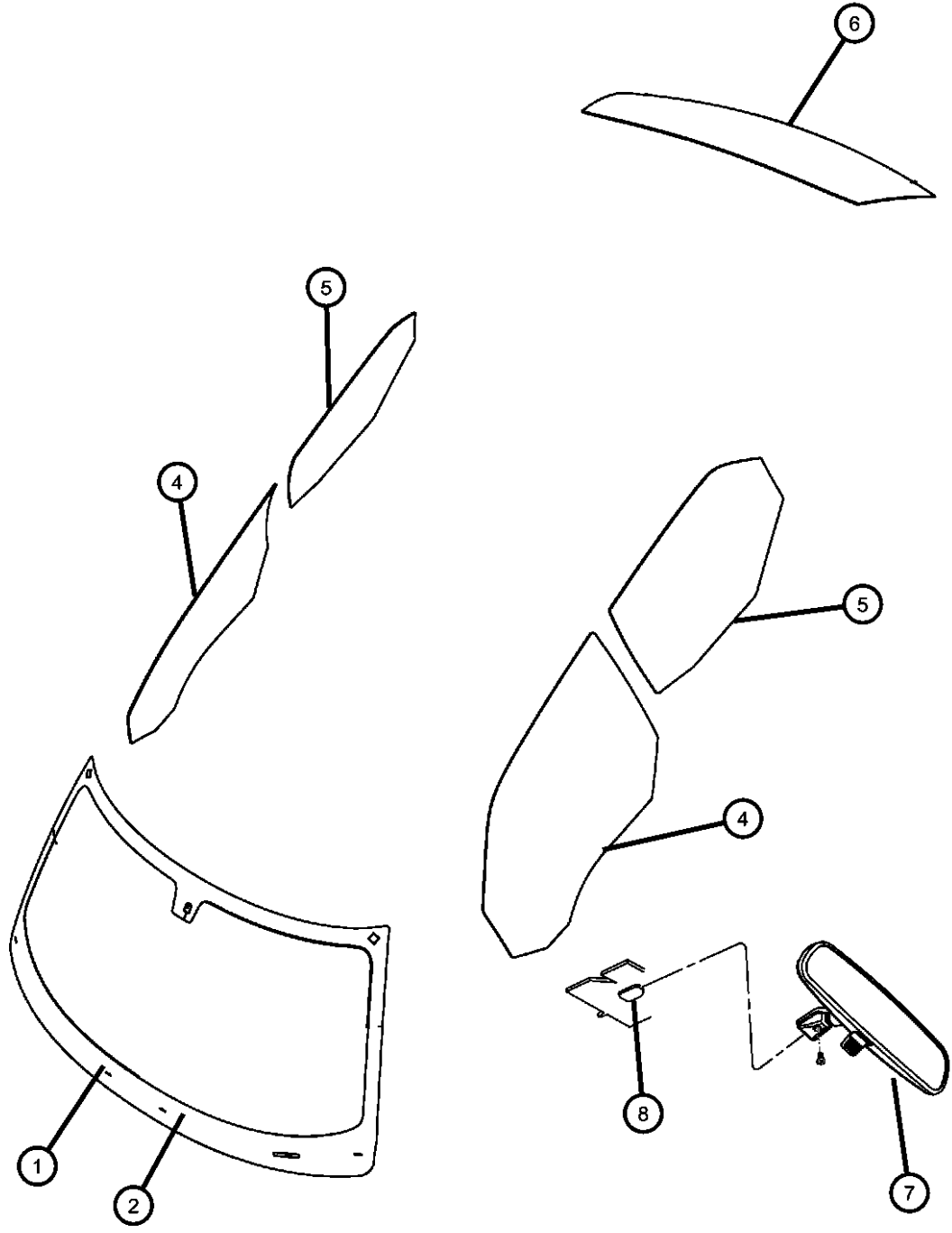
Glass and Interior Rear View Mirror

Glass, Glass Hardware & Interior MirrorsFig. 27 - 105

027-100 Glass and Interior Rear View Mirror			
--	--	--	--

Glass, Glass Hardware & Interior Mirrors
Figure 27-105

ITEM	PART NUMBER	QTY	LINE	SERIES	BODY	ENGINE	TRANS	TRIM	DESCRIPTION
1	68081560AD	1	C, F, Z		48				WINDSHIELD [JHC], [XXT]
	68081630AD	1	C, F, Z		48				[XXT]
2	68103292AA	1	C, F, Z		48				WINDSHIELD, Shipping Assembly - 30 Lite Glass [XXT]
	68102844AA	1	C, F, Z		48				[JHC], [XXT]
-3	68044586AA	4	C, F, Z		48				SPACER, Windshield
4	68068669AA	1	C, F, Z		48				GLASS, Front Door Left
	68068668AA	1	C, F, Z		48				Right
5	55113490AA	1	C, F, Z		48				GLASS, Rear Door Right
	55113491AA	1	C, F, Z		48				Left
6	68044801AC	1	C, F		48				BACKLITE
7	57010495AB	1	C, F, Z		48				MIRROR, Inside Rear View [GN5]
	57010496AC	1	C, F, Z		48				[GN5], [LMS], [RSQ] Or [RSP]
8		1							BUTTON, Rear View Mirror, Serviced With Windshield Only, (NOT SERVICED),



MAGNUM/300/CHARGER (LX)

SERIES LINE
H = HIGHLINE C = CHRYSLER
P = PREMIUM F = EAGLE
S = SPORT

BODY
48 = SEDAN TYPE #8

ENGINE
ERB = 3.XL Mid V6 Engine
EZH = 5.7L V8 HEMI MDS
VCT Engine

TRANSMISSION
DGJ = 5-Speed Auto W5A580
Transmission

AR = use ase required - = Non illustrated part

2011 LX

Group - 30

Doors, Door Mirrors and Related Parts

Group - 30 Doors, Door Mirrors and Related Parts

Illustration Title

Group-Fig. No.

Front Door

Front Door, Shell and Hinges.....	Fig. 30 - 105
Front Door, Hardware Components, 300.....	Fig. 30 - 125
Door Lock Cylinders	Fig. 30 - 150

Rear Door

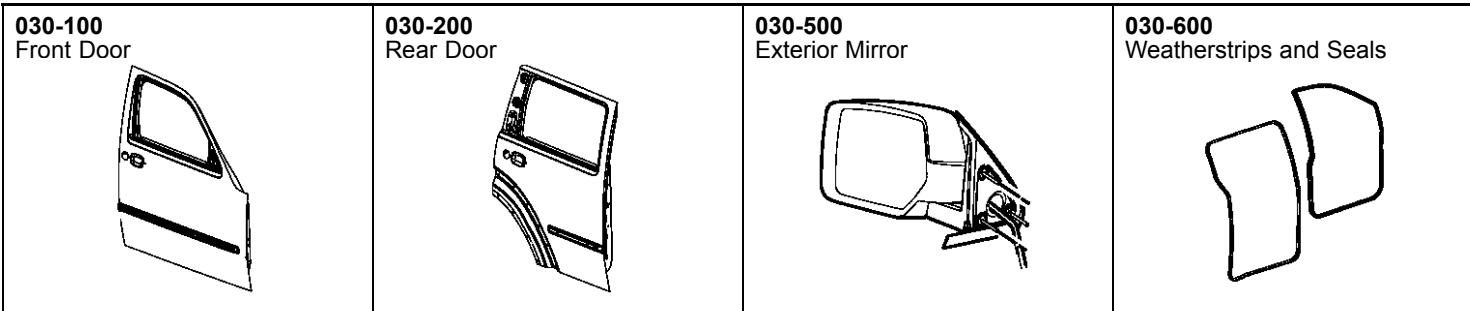
Rear Door, Shell and Hinges.....	Fig. 30 - 205
Rear Door, Hardware Components, 300	Fig. 30 - 225

Exterior Mirror

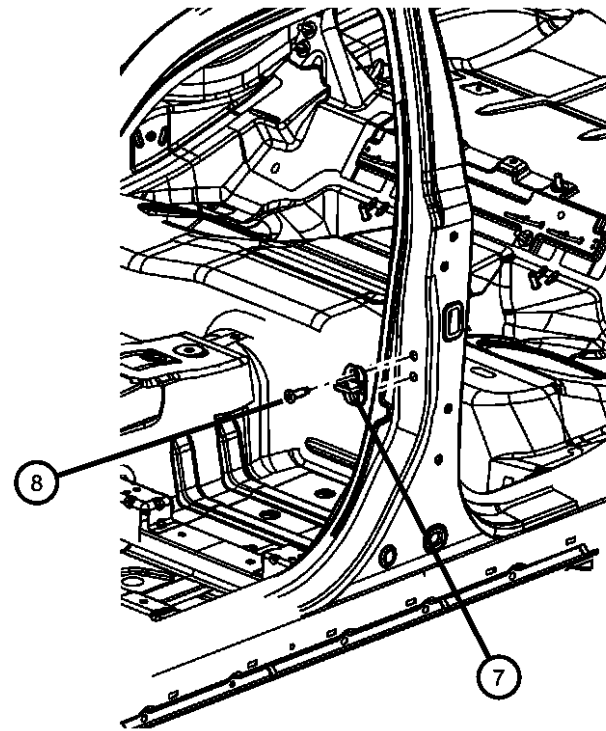
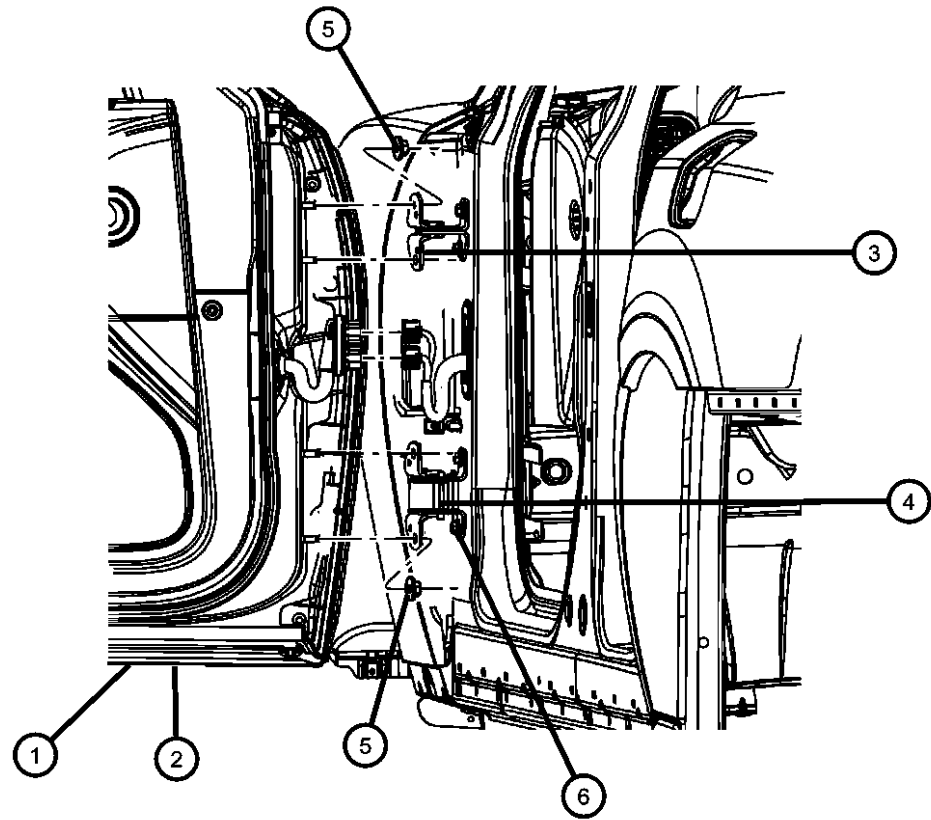
Mirror, Exterior.....	Fig. 30 - 505
-----------------------	---------------

Weatherstrips and Seals

Weatherstrips, Front Door	Fig. 30 - 605
Weatherstrips, Rear Door	Fig. 30 - 625



Front Door, Shell and Hinges
Figure 30-105



ITEM	PART NUMBER	QTY	LINE	SERIES	BODY	ENGINE	TRANS	TRIM	DESCRIPTION
1	68127960AA	1	C, F, Z		48				DOOR, Front Right
	68127961AA	1	C, F, Z		48				Left
2	55113441AA	1	C, F, Z		48				PANEL, Front Door Outer Repair Left
	55113440AA	1	C, F, Z		48				Right
3	55113661AB	1	C, F, Z		48				HINGE, Door, Upper Left
	55113660AB	1	C, F, Z		48				Right
4	55113665AD	1	C, F, Z		48				HINGE, Door, Lower Left
	55113664AD	1	C, F, Z		48				Right
5	06101831	4	C, F, Z		48				NUT, Hex Flange, M8x1.25
6	06507742AA	4	C, F, Z		48				SCREW AND WASHER, Hex Head, M8x1.25x33
7	04589050AA	1	C, F, Z		48				STRIKER, Door LatchRight & Left
8	06508312AA	2	C, F, Z		48				SCREW, Torx Head, M8X1.25X34

MAGNUM/300/CHARGER (LX)

SERIES LINE
H = HIGHLINE C = CHRYSLER
P = PREMIUM F = EAGLE
S = SPORT

BODY
48 = SEDAN TYPE #8

ENGINE
ERB = 3.XL Mid V6 Engine
EZH = 5.7L V8 HEMI MDS VCT Engine

TRANSMISSION
DGJ = 5-Speed Auto W5A580 Transmission

AR = use ase required - = Non illustrated part

2011 LX

Front Door, Hardware Components, 300
Figure 30-125

ITEM	PART NUMBER	QTY	LINE	SERIES	BODY	ENGINE	TRANS	TRIM	DESCRIPTION
------	-------------	-----	------	--------	------	--------	-------	------	-------------

Sales Codes:
[MNC]= Bright Door Handles
[MNK]= Body Color Door Handles

1									HANDLE, Front Door Exterior
	04589855AE	1	C, F, Z		48				[MNC], [GXD], Left
	1RH64ARHAD	1	C, F, Z		48				[MNK], [GXD], [RH], Right & Left
	1RH64AXRAD	1	C, F, Z		48				[MNK], [GXD], [XR], Right & Left
	1RH64CD-MAD	1	C, F, Z		48				[MNK], [GXD], [DM], Right & Left
	1RH64GW7AD	1	C, F, Z		48				[MNK], [GXD], [W7], Right & Left
	1RH64HB-VAD	1	C, F, Z		48				[MNK], [GXD], [BV], Right & Left
	1RH64JBFAD	1	C, F, Z		48				[MNK], [GXD], [BF], Right & Left
	1RH64JRPAD	1	C, F, Z		48				[MNK], [GXD], [RP], Right & Left
	1RH64JSCAD	1	C, F, Z		48				[MNK], [GXD], [SC], Right & Left
	1RH64JW-DAD	1	C, F, Z		48				[MNK], [GXD], [WD], Right & Left
2	68064599AC	1	C, F, Z		48				ISOLATOR
3									BEZEL, Outside Door Handle
	04589851AB	1	C, F, Z		48				Left
	04589853AB	1	C, F, Z		48				Right
	1RH66GW7AB	1	C, F, Z		48				[MNK], [GXD], [W7], Right
	1RH66HBVAB	1	C, F, Z		48				[MNK], [GXD], [BV], Right
	1RH66JBFAB	1	C, F, Z		48				[MNK], [GXD], [BF], Right
	1RH66JRPAB	1	C, F, Z		48				[MNK], [GXD], [RP], Right
	1RH66JSCAB	1	C, F, Z		48				[MNK], [GXD], [SC], Right
	1RH66JWDAB	1	C, F, Z		48				[MNK], [GXD], [WD], Right
	1RH67ARHAB	1	C, F, Z		48				[MNK], [GXD], [RH], Left
	1RH67AXRAB	1	C, F, Z		48				[MNK], [GXD], [XR], Left
	1RH67CDMAB	1	C, F, Z		48				[MNK], [GXD], [DM], Left
	1RH66ARHAB	1	C, F, Z		48				[MNK], [GXD], [RH], Right
	1RH66AXRAB	1	C, F, Z		48				[MNK], [GXD], [XR], Right
	1RH66CDMAB	1	C, F, Z		48				[MNK], [GXD], [DM], Right
	1RH67JSCAB	1	C, F, Z		48				[MNK], [GXD], [SC], Left
	1RH67JWDAB	1	C, F, Z		48				[MNK], [GXD], [WD], Left
	1RH67GW7AB	1	C, F, Z		48				[MNK], [GXD], [W7], Left
	1RH67HBVAB	1	C, F, Z		48				[MNK], [GXD], [BV], Left
	1RH67JBFAB	1	C, F, Z		48				[MNK], [GXD], [BF], Left

MAGNUM/300/CHARGER (LX)

SERIES LINE
H = HIGHLINE C = CHRYSLER
P = PREMIUM F = EAGLE
S = SPORT

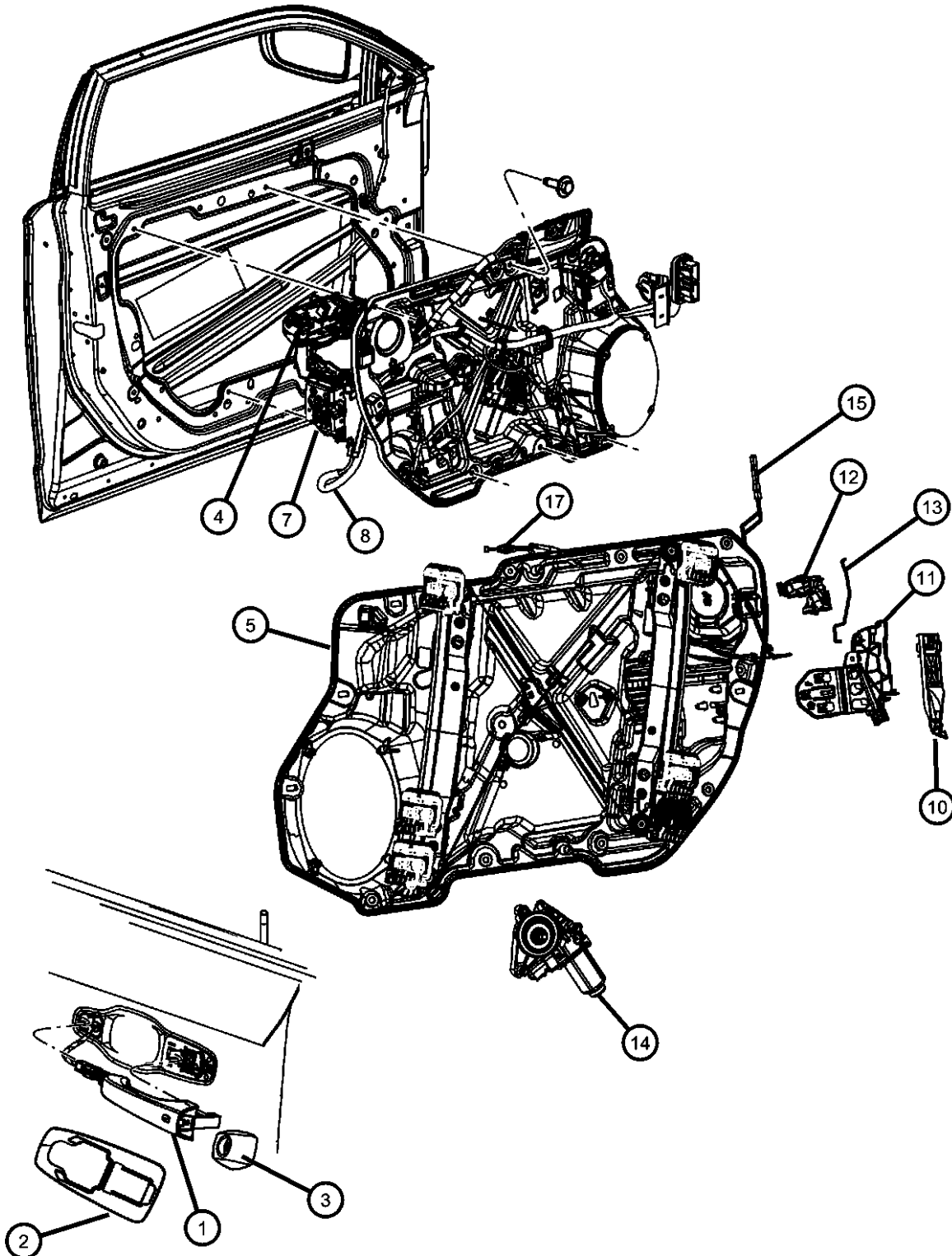
BODY
48 = SEDAN TYPE #8

ENGINE
ERB = 3.0L Mid V6 Engine
EZH = 5.7L V8 HEMI MDS
VCT Engine

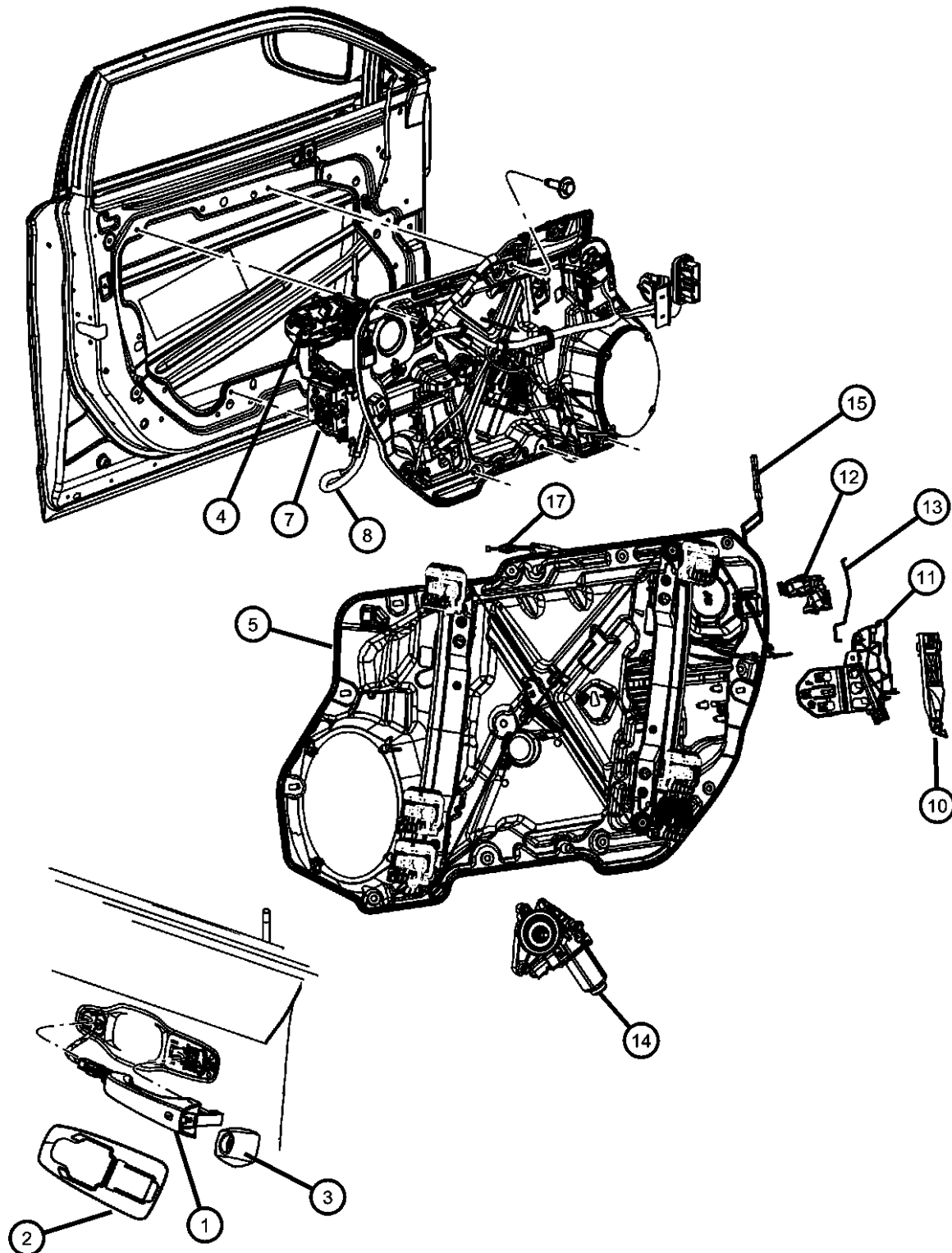
TRANSMISSION
DGJ = 5-Speed Auto W5A580
Transmission

AR = use ase required - = Non illustrated part

2011 LX



Front Door, Hardware Components, 300
Figure 30-125



ITEM	PART NUMBER	QTY	LINE	SERIES	BODY	ENGINE	TRANS	TRIM	DESCRIPTION
4	1RH67JRPAB	1	C, F, Z		48				[MNK], [GXD], [RP], Left BRACKET, Door Handle
	04589859AF	1	C, F, Z		48				Left
	04589861AG	1	C, F, Z		48				Right
5	68103996AA	1	C, F, Z		48				PANEL, Carrier Plate, Front Door Right
	68103997AA	1	C, F, Z		48				Left
-6									CLIP
	04589463AA	3	C, F, Z		48				Thick
	04589461AA	4	C, F, Z		48				Thin
7									LATCH, Front Door
	04589913AC	1	C, F, Z		48				Left
	04589916AC	1	C, F, Z		48				Right
8	68058976AC	1	C, F, Z		48				CABLE, Outside Handle, Front Door
-9	68078076AA	1	C, F, Z		48				CLIP, Latch, Clip Pkg.
10									RETAINER, Cable
	68104007AA	1	C, F, Z		48				Left
	68104006AA	1	C, F, Z		48				Right
11									PRESENTER, Latch, Front Door
	68104004AA	1	C, F, Z		48				Right
	68104005AA	1	C, F, Z		48				Left
12									SUPPORT, Bracket
	68104010AA	1	C, F, Z		48				Right
	68104011AA	1	C, F, Z		48				Left
13	68103293AA	1	C, F, Z		48				LINK, KEY CYLINDER TO LATCH, Front Door
14									MOTOR, Window Regulator, Front Door
	68104008AA	1	C, F, Z		48				Right
	68104009AA	1	C, F, Z		48				Left
15									ROD, Lock
	68104022AA	1	C, F, Z		48				Right
	68104023AA	1	C, F, Z		48				Left
-16	68104288AA	1	C, F, Z		48				GROMMET, Lock Knob

MAGNUM/300/CHARGER (LX)

SERIES LINE
H = HIGHLINE C = CHRYSLER
P = PREMIUM F = EAGLE
S = SPORT

BODY
48 = SEDAN TYPE #8

ENGINE
ERB = 3.0L Mid V6 Engine
EZH = 5.7L V8 HEMI MDS
VCT Engine

TRANSMISSION
DGJ = 5-Speed Auto W5A580
Transmission

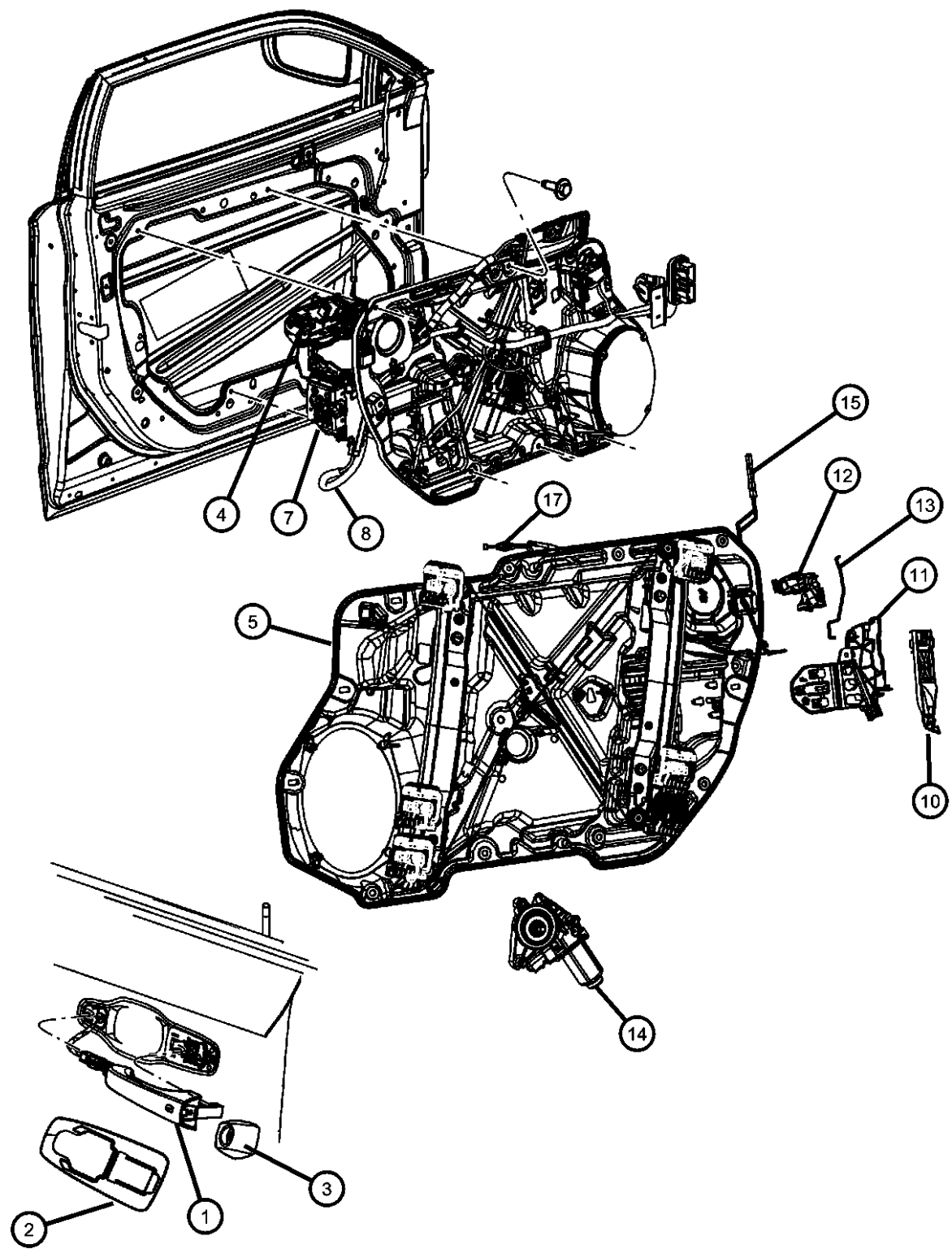
AR = use ase required - = Non illustrated part

2011 LX

Front Door, Hardware Components, 300
Figure 30-125

ITEM	PART NUMBER	QTY	LINE	SERIES	BODY	ENGINE	TRANS	TRIM	DESCRIPTION
------	-------------	-----	------	--------	------	--------	-------	------	-------------

17	68103788AA	1	C, F, Z		48				CABLE, Inside Handle To Latch, Front Door
-18	68104290AA	3	C, F, Z		48				SCREW, Torx, M5X22



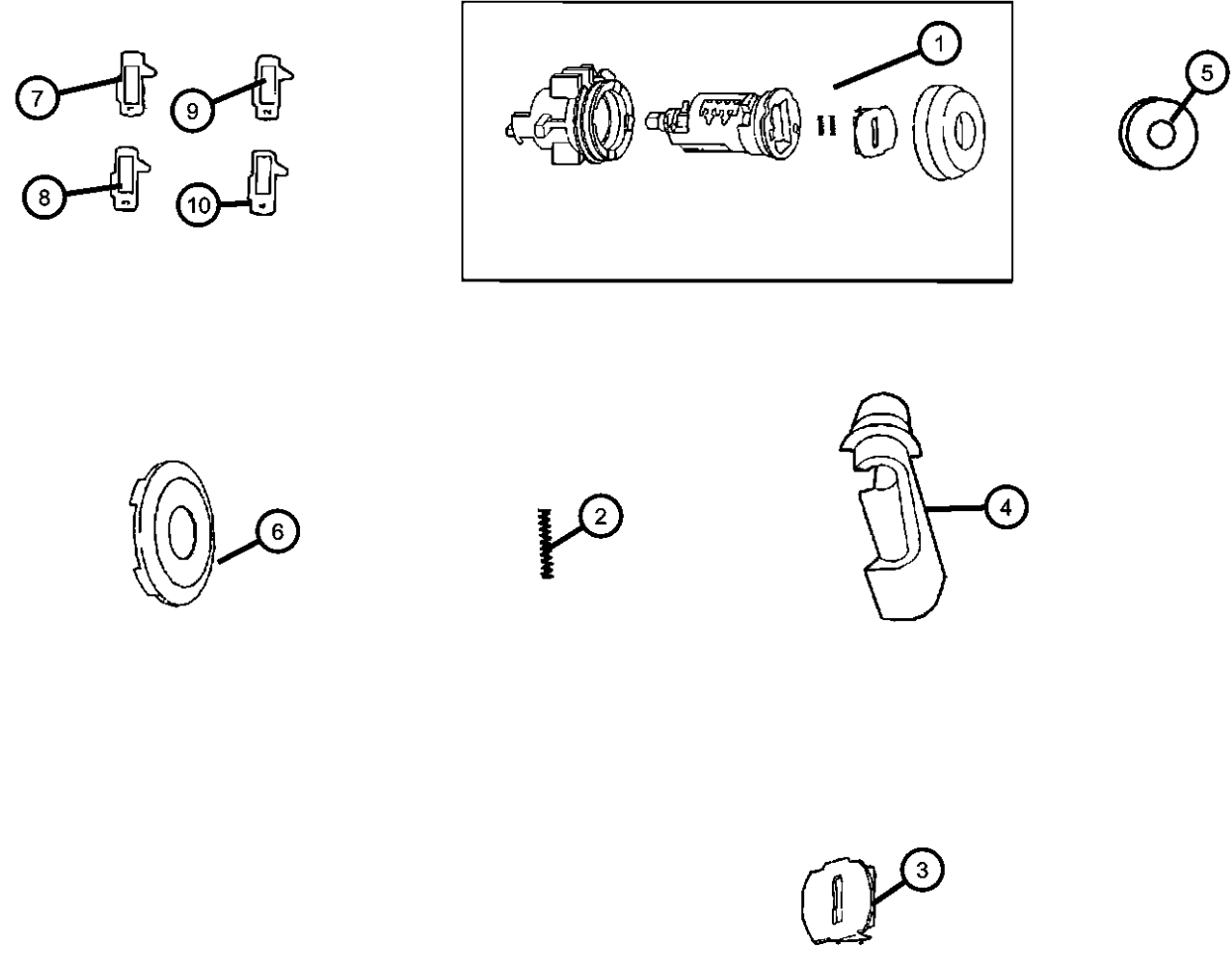
MAGNUM/300/CHARGER (LX)

SERIES	LINE	BODY	ENGINE	TRANSMISSION
H = HIGHLINE	C = CHRYSLER	48 = SEDAN TYPE #8	ERB = 3.XL Mid V6 Engine	DGJ = 5-Speed Auto W5A580
P = PREMIUM	F = EAGLE		EZH = 5.7L V8 HEMI MDS	Transmission
S = SPORT			VCT Engine	

AR = use ase required - = Non illustrated part

Door Lock Cylinders
Figure 30-150

ITEM	PART NUMBER	QTY	LINE	SERIES	BODY	ENGINE	TRANS	TRIM	DESCRIPTION
NOTE: ALL LOCK CYLINDERS ARE UNCODED									
1	68085684AA	1	C, F, Z		48				CYLINDER, Door Lock
2	04778121	1	C, F, Z		48				SPRING, Tumbler
3	05019605AA	1	C, F, Z		48				SHUTTER, Lock Cylinder
4		1							CLIP, Latch Link, Purple, (NOT SERVICED)
5		1							SPRING, Door and Deck Tumbler, (NOT SERVICED)
6	68085674AA	1	C, F, Z		48				CAP, Door Lock Cylinder
7	04778117AB	1	C, F, Z		48				TUMBLER, Number 1
8	04778118AB	1	C, F, Z		48				TUMBLER, Number 2
9	04778119AB	1	C, F, Z		48				TUMBLER, Number 3
10	04778120AB	1	C, F, Z		48				TUMBLER, Number 4



MAGNUM/300/CHARGER (LX)

SERIES LINE
H = HIGHLINE C = CHRYSLER
P = PREMIUM F = EAGLE
S = SPORT

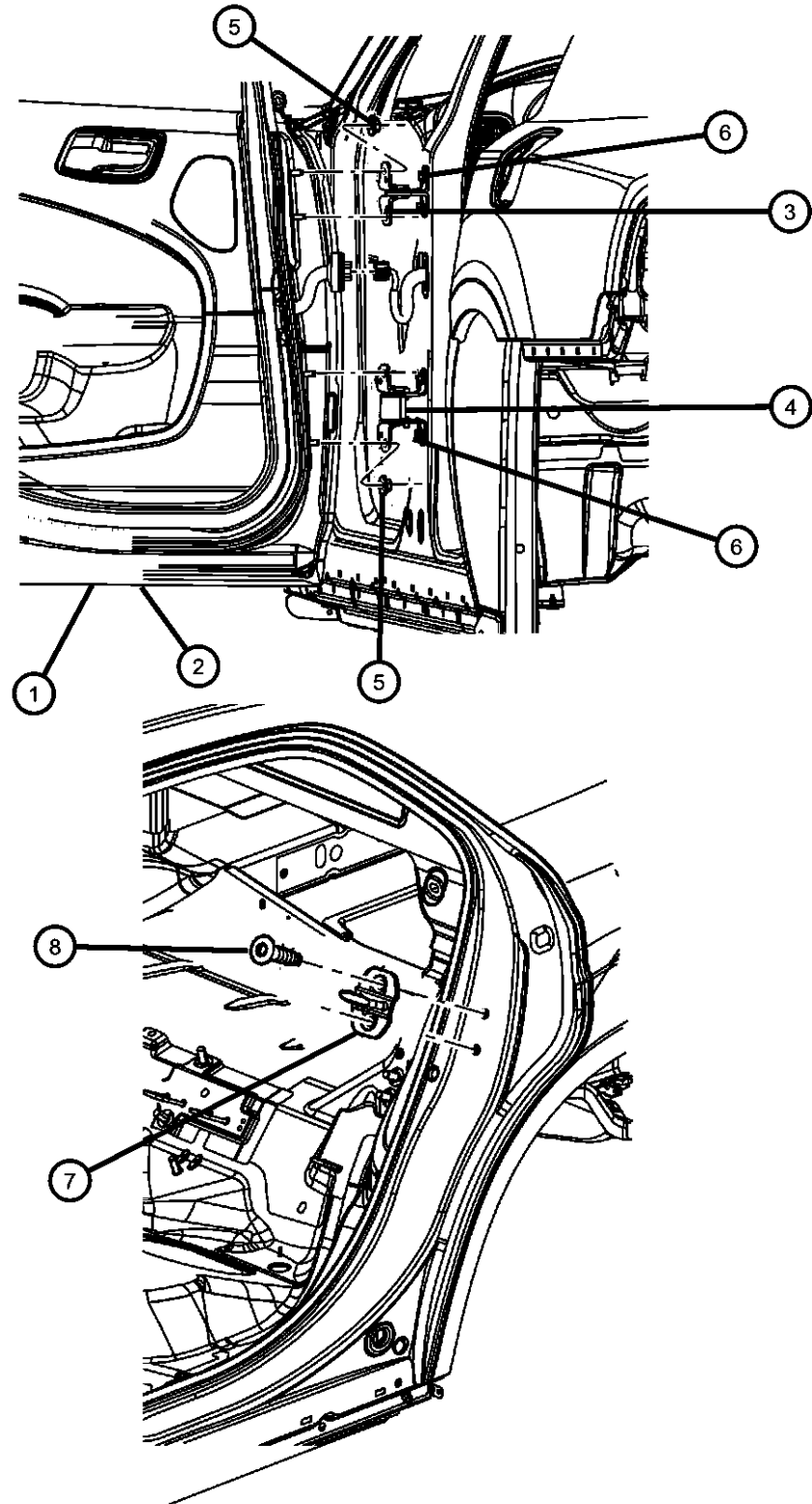
BODY
48 = SEDAN TYPE #8

ENGINE
ERB = 3.XL Mid V6 Engine
EZH = 5.7L V8 HEMI MDS
VCT Engine

TRANSMISSION
DGJ = 5-Speed Auto W5A580
Transmission

AR = use ase required - = Non illustrated part

Rear Door, Shell and Hinges
Figure 30-205



ITEM	PART NUMBER	QTY	LINE	SERIES	BODY	ENGINE	TRANS	TRIM	DESCRIPTION
1									DOOR, Rear
	68127962AA	1	C, F, Z		48				Right
	68127963AA	1	C, F, Z		48				Left
2									PANEL, Rear Door Outer Repair
	55113443AB	1	C, F, Z		48				Left
	55113442AB	1	C, F, Z		48				Right
3									HINGE, Door, Upper
	55113660AB	1	C, F, Z		48				Right
	55113661AB	1	C, F, Z		48				Left
4									HINGE, Door, Lower
	55113664AD	1	C, F, Z		48				Right
	55113665AD	1	C, F, Z		48				Left
5	06100050	2	C, F, Z		48				NUT AND WASHER
6	06507742AA	4	C, F, Z		48				SCREW AND WASHER, Hex Head, M8x1.25x33
7	04589050AA	1	C, F, Z		48				STRIKER, Door LatchRight & Left
8	06508312AA	2	C, F, Z		48				SCREW, Torx Head, M8X1.25X34

MAGNUM/300/CHARGER (LX)

SERIES LINE
H = HIGHLINE C = CHRYSLER
P = PREMIUM F = EAGLE
S = SPORT

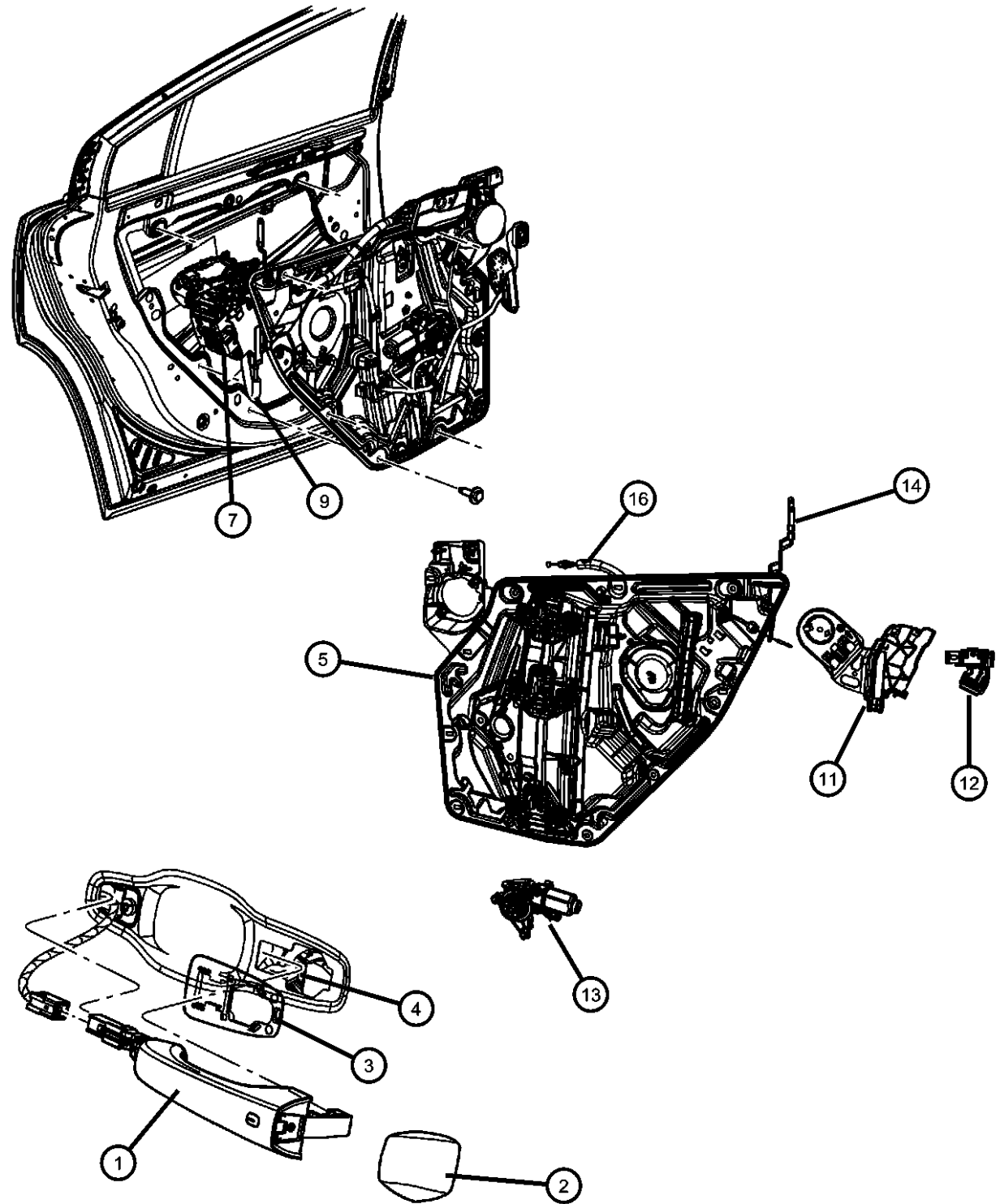
BODY
48 = SEDAN TYPE #8

ENGINE
ERB = 3.XL Mid V6 Engine
EZH = 5.7L V8 HEMI MDS VCT Engine

TRANSMISSION
DGJ = 5-Speed Auto W5A580 Transmission

AR = use ase required - = Non illustrated part

Rear Door, Hardware Components, 300
Figure 30-225



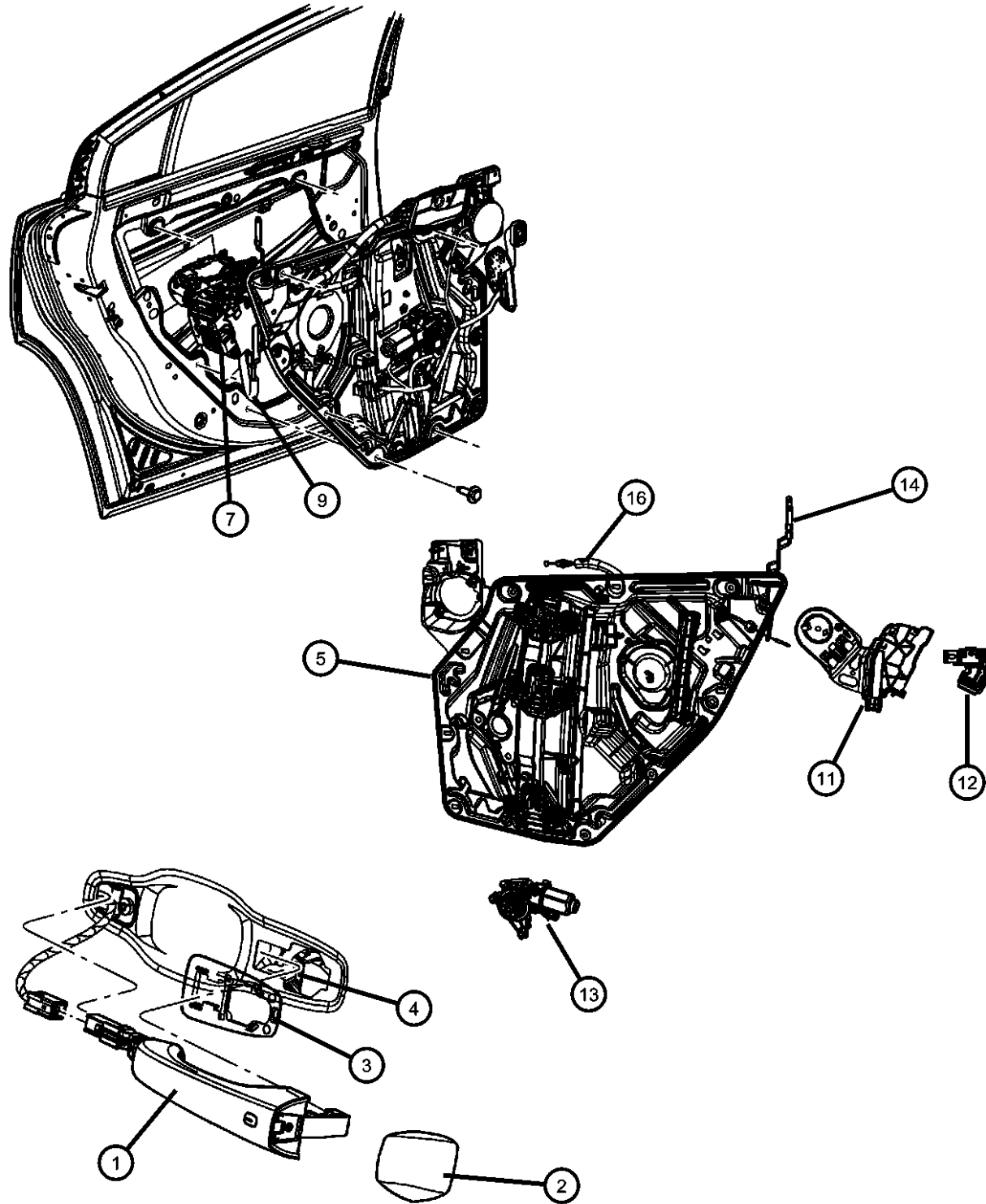
ITEM	PART NUMBER	QTY	LINE	SERIES	BODY	ENGINE	TRANS	TRIM	DESCRIPTION
1									HANDLE, Rear Door Exterior
	1RH65ARHAD	1	C, F, Z		48				[MNK], [RH], Right & Left
	1RH65AXRAD	1	C, F, Z		48				[MNK], [XR], Right & Left
	1RH65CD-MAD	1	C, F, Z		48				[MNK], [DM], Right & Left
	1RH65GW7AD	1	C, F, Z		48				[MNK], [W7], Right & Left
	1RH65HB-VAD	1	C, F, Z		48				[MNK], [BV], Right & Left
	1RH65JBFAD	1	C, F, Z		48				[MNK], [BF], Right & Left
	1RH65JRPAD	1	C, F, Z		48				[MNK], [RP], Right & Left
	1RH65JSCAD	1	C, F, Z		48				[MNK], [SC], Right & Left
	1RH65JW-DAD	1	C, F, Z		48				[MNK], [WD], Right & Left
	68064625AD	1	C, F, Z		48				[MNC], Right & Left
2									CAP, Door Handle
	1SX16ARHAB	1	C, F, Z		48				[MNK], [GXD], [RH], Right & Left
	1SX16CDMAB	1	C, F, Z		48				[MNK], [GXD], [DM], Right & Left
	1SX16GW7AB	1	C, F, Z		48				[MNK], [GXD], [W7], Right & Left
	1SX16AXRAB	1	C, F, Z		48				[MNK], [GXD], [XR], Right & Left
	1SX16JRPAB	1	C, F, Z		48				[MNK], [GXD], [RP], Right & Left
	1SX16HBVAB	1	C, F, Z		48				[MNK], [GXD], [BV], Right & Left
	1SX16JBFAB	1	C, F, Z		48				[MNK], [GXD], [BF], Right & Left
	68064615AC	1	C, F, Z		48				[MNC], [GXD], Right & Left
	1SX16JSCAB	1	C, F, Z		48				[MNK], [GXD], [SC], Right & Left
	1SX16JWDAB	1	C, F, Z		48				[MNK], [GXD], [WD], Right & Left
3	68064599AC	1	C, F, Z		48				ISOLATOR
4									BRACKET, Door Handle
	04589860AF	1	C, F, Z		48				Right
	04589861AF	1	C, F, Z		48				Left
5									PANEL, Carrier Plate, Rear Door
	68103998AA	1	C, F, Z		48				Right
		1	C, F, Z		48				Left
-6									CLIP
	04589461AA	4	C, F, Z		48				Thin
	04589463AA	3	C, F, Z		48				Thick
7									LATCH, Rear Door
	04589914AC	1	C, F, Z		48				Right

MAGNUM/300/CHARGER (LX)

SERIES	LINE	BODY	ENGINE	TRANSMISSION
H = HIGHLINE	C = CHRYSLER	48 = SEDAN TYPE #8	ERB = 3.XL Mid V6 Engine	DGJ = 5-Speed Auto W5A580
P = PREMIUM	F = EAGLE		EZH = 5.7L V8 HEMI MDS	Transmission
S = SPORT			VCT Engine	

AR = use ase required - = Non illustrated part

Rear Door, Hardware Components, 300
Figure 30-225



ITEM	PART NUMBER	QTY	LINE	SERIES	BODY	ENGINE	TRANS	TRIM	DESCRIPTION
	04589915AC	1	C, F, Z		48				Left
-8	68104281AA	1	C, F, Z		48				COVER, Latch Access Cover
9	68058975AD	1	C, F, Z		48				CABLE, Outside Handle, Rear Door
-10	68078076AA	1	C, F, Z		48				CLIP, Latch
11	68104020AA	1	C, F, Z		48				PRESENTER, Latch, Rear Door Right
	68104021AA	1	C, F, Z		48				Left
12	68104283AA	1	C, F, Z		48				SUPPORT, Bracket Left
	68104282AA	1	C, F, Z		48				Right
13	68104330AA	1	C, F, Z		48				MOTOR, Window Regulator, Rear Door Right
	68104331AA	1	C, F, Z		48				Left
14	68104016AA	1	C, F, Z		48				ROD, Lock Right
	68104017AA	1	C, F, Z		48				Left
-15	68104288AA	1	C, F, Z		48				GROMMET, Lock Knob
16	68104035AA	1	C, F, Z		48				CABLE, Inside Handle To Latch, Rear Door
-17	68104290AA	3	C, F, Z		48				SCREW, Torx, M5X22
-18	68104288AA	1	C, F, Z		48				GROMMET, Lock Knob
-19	68104287AA	1	C, F, Z		48				CHANNEL, Rear Door Glass

MAGNUM/300/CHARGER (LX)

SERIES LINE
H = HIGHLINE C = CHRYSLER
P = PREMIUM F = EAGLE
S = SPORT

BODY
48 = SEDAN TYPE #8

ENGINE
ERB = 3.XL Mid V6 Engine
EZH = 5.7L V8 HEMI MDS VCT Engine

TRANSMISSION
DGJ = 5-Speed Auto W5A580 Transmission

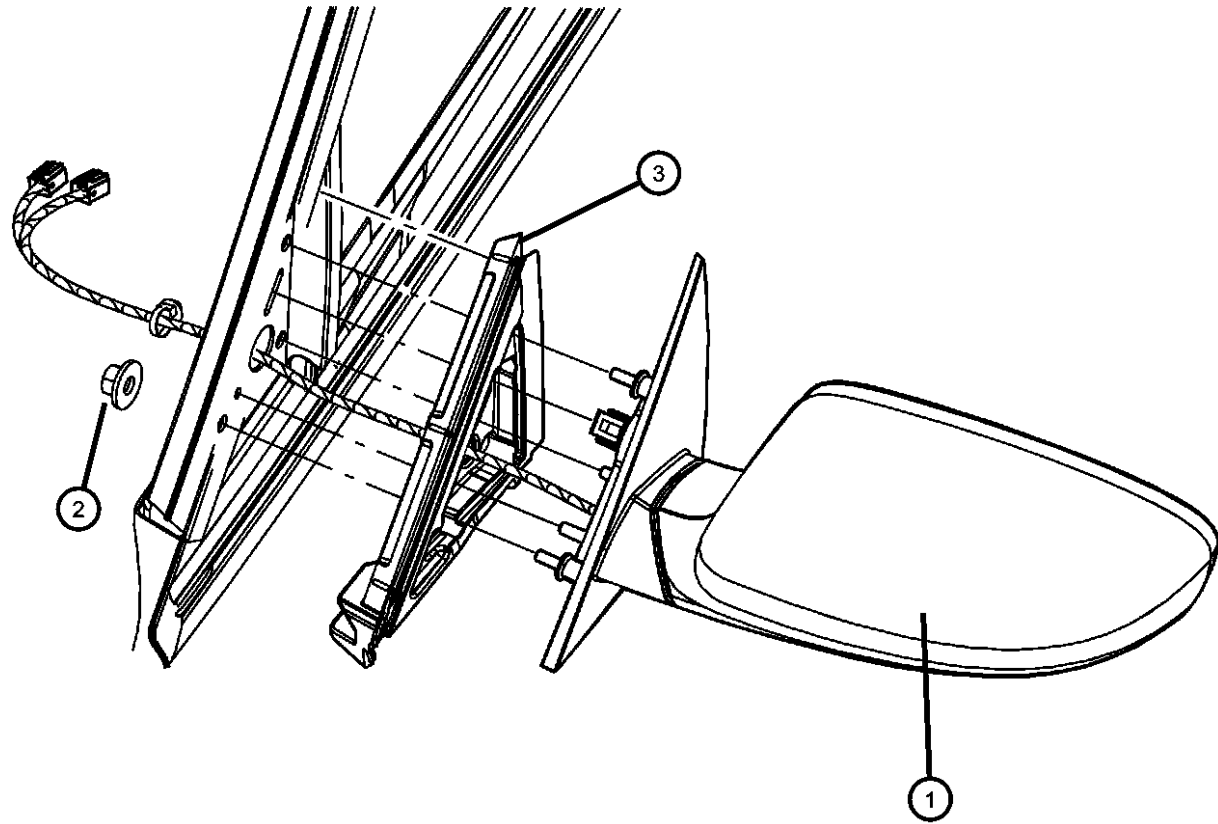
AR = use ase required - = Non illustrated part

2011 LX

Mirror, Exterior
Figure 30-505

ITEM	PART NUMBER	QTY	LINE	SERIES	BODY	ENGINE	TRANS	TRIM	DESCRIPTION
------	-------------	-----	------	--------	------	--------	-------	------	-------------

Sales Codes:
 [GT5]= Power Heated, Fold Away
 [GT8]= Power Mirrors
 [GTB]= Power Heated Mirrors
 [GTF]= Power Mirrors
 [GTR]= Power Heated
 [GTS]= Power Heated, Fold Away
 [GU4]= Power Multi-Function, Fold Away
 [GU5]= Power Heated, Fold Away
 [GYE]= Pow



1									MIRROR, Outside Rearview
	1TK86GW7AD	1	C, F, Z		48				[GTS], [W7], Right
	1TK86AXRAD	1	C, F, Z		48				[GTS], [XR], Right
	1TK86CD-MAD	1	C, F, Z		48				[GTS], [DM], Right
	1TK86JRPAD	1	C, F, Z		48				[GTS], [RP], Right
	1TK86HBVAD	1	C, F, Z		48				[GTS], [BV], Right
	1TK86JBFAD	1	C, F, Z		48				[GTS], [BF], Right
	1TK87ARHAD	1	C, F, Z		48				[GTS], [RH], Left
	1TK86JSCAD	1	C, F, Z		48				[GTS], [SC], Right
	1TK86ARHAD	1	C, F, Z		48				[GTS], [RH], Right
	1TK87JRPAD	1	C, F, Z		48				[GTS], [RP], Left
	1TK87HBVAD	1	C, F, Z		48				[GTS], [BV], Left
	1TK87JBFAD	1	C, F, Z		48				[GTS], [BF], Left
	57010306AD	1	C, F, Z		48				[GU4] Without [LED], Right
	1TK87JSCAD	1	C, F, Z		48				[GTS], [SC], Left
	1TK87JW-DAD	1	C, F, Z		48				[GTS], [WD], Left
	57010337AD	1	C, F, Z		48				[GTR], Left
	57010307AD	1	C, F, Z		48				[GU4], Left
	1TK86JW-DAD	1	C, F, Z		48				[GTS], [WD], Right
	1TK87GW7AD	1	C, F, Z		48				[GTS], [W7], Left
	1TK87AXRAD	1	C, F, Z		48				[GTS], [XR], Left
	1TK87CD-MAD	1	C, F, Z		48				[GTS], [DM], Left
	57010421AC	1	C, F, Z		48				[GUU] Or [GTY], Left
		1	C, F, Z		48				[GUP], Left
	57010336AD	1	C, F, Z		48				[GTR], Right
	57010420AD	1	C, F, Z		48				[GUP] Or [GUU] Without [LED], Right

MAGNUM/300/CHARGER (LX)

SERIES LINE
 H = HIGHLINE C = CHRYSLER
 P = PREMIUM F = EAGLE
 S = SPORT

BODY
 48 = SEDAN TYPE #8

ENGINE
 ERB = 3.0L Mid V6 Engine
 EZH = 5.7L V8 HEMI MDS
 VCT Engine

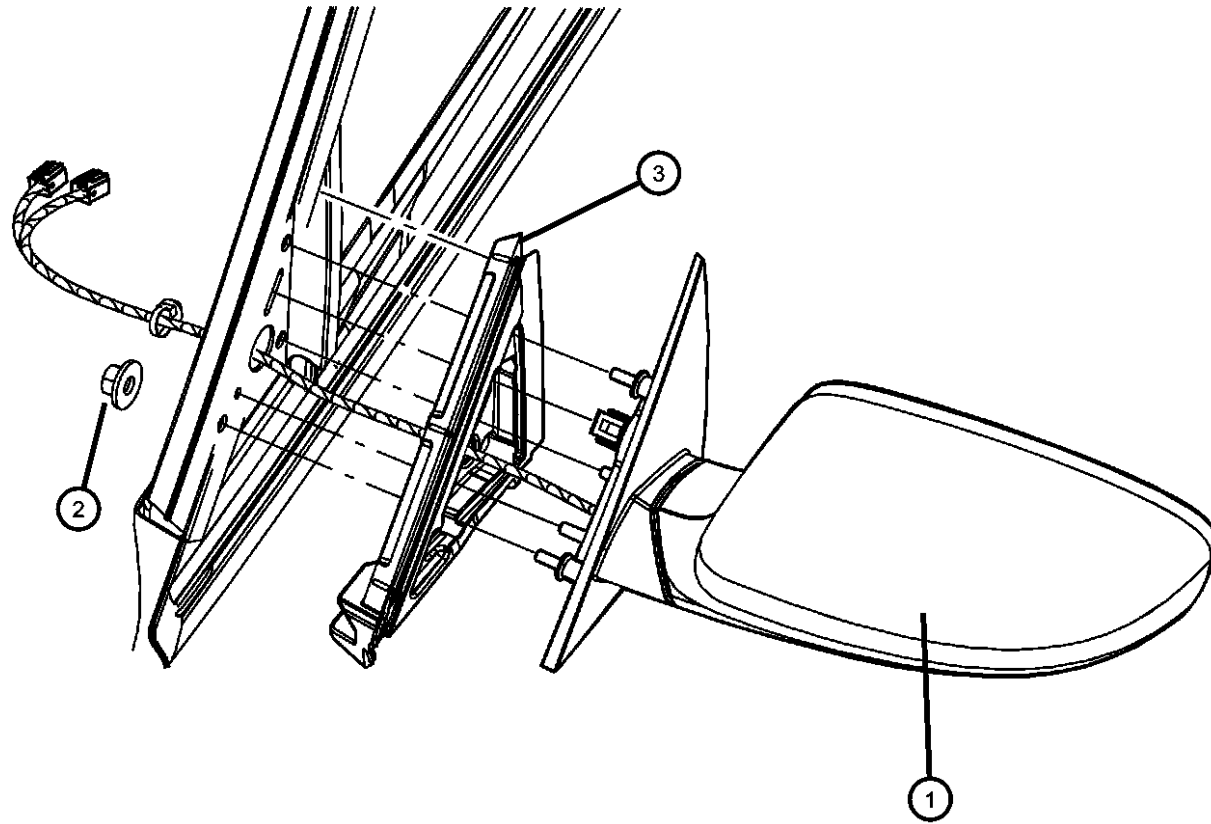
TRANSMISSION
 DGJ = 5-Speed Auto W5A580
 Transmission

AR = use ase required - = Non illustrated part

2011 LX

Mirror, Exterior
Figure 30-505

ITEM	PART NUMBER	QTY	LINE	SERIES	BODY	ENGINE	TRANS	TRIM	DESCRIPTION
	57010342AD	1	C, F, Z		48				[GU4], [LED], Right
	57010358AD	1	C, F, Z		48				[GTU], Right
2	06101443	3	C, F, Z		48				NUT AND WASHER, Hex, M5x.80
3									SEAL, MIRROR FLAG
	68084698AA	1	C, F, Z		48				Right
	68084699AA	1	C, F, Z		48				Left
-4	55276821AA	1	C, F, Z		48				TAPE



MAGNUM/300/CHARGER (LX)

SERIES LINE
H = HIGHLINE C = CHRYSLER
P = PREMIUM F = EAGLE
S = SPORT

BODY
48 = SEDAN TYPE #8

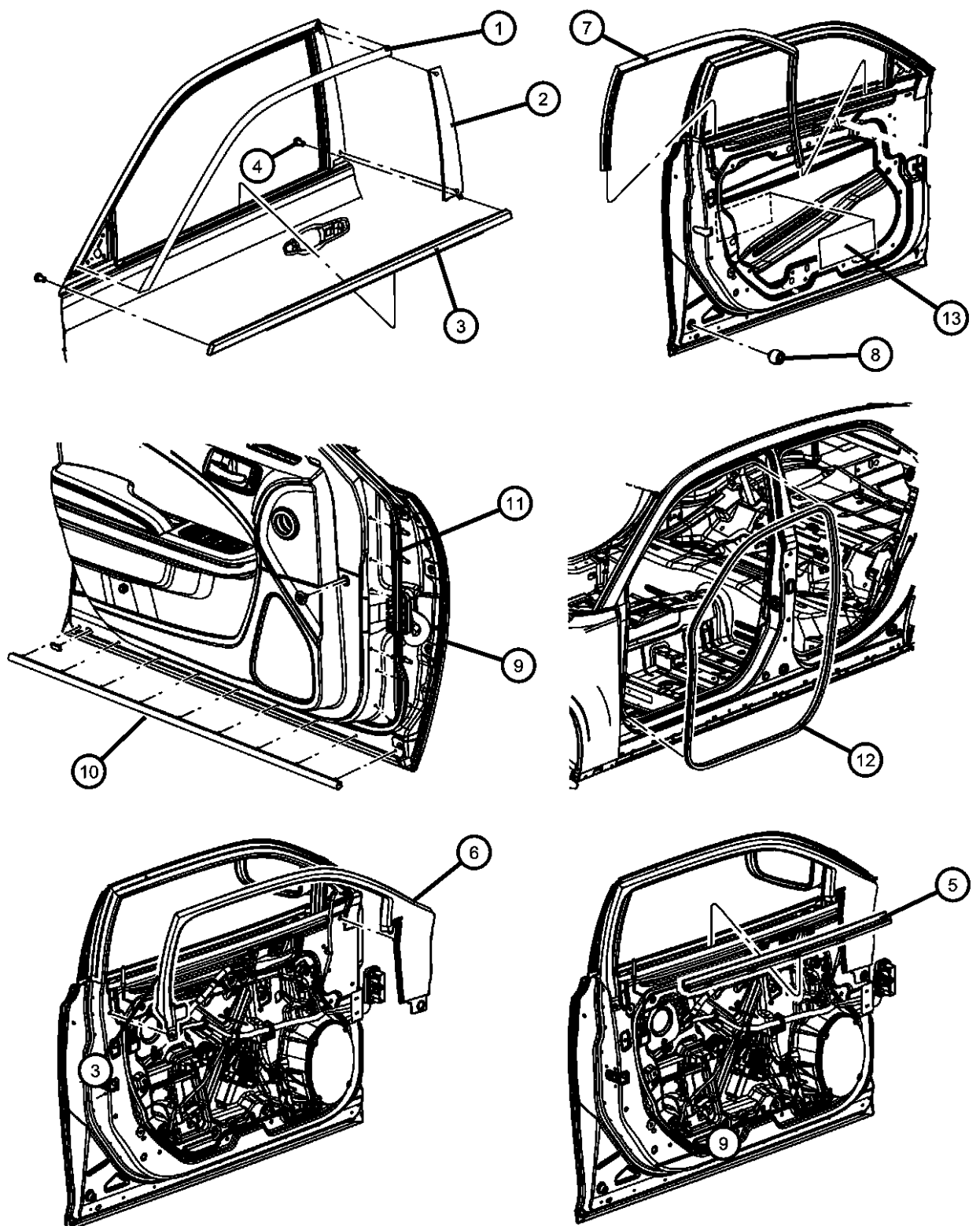
ENGINE
ERB = 3.0L Mid V6 Engine
EZH = 5.7L V8 HEMI MDS
VCT Engine

TRANSMISSION
DGJ = 5-Speed Auto W5A580
Transmission

AR = use ase required - = Non illustrated part

2011 LX

Weatherstrips, Front Door
Figure 30-605



ITEM	PART NUMBER	QTY	LINE	SERIES	BODY	ENGINE	TRANS	TRIM	DESCRIPTION
1	57010365AC	1	C, F, Z		48				MOLDING, Front Door Left
	57010364AC	1	C, F, Z		48				Right
2	57010384AB	1	C, F, Z		48				APPLIQUE, B Pillar Right
	57010385AB	1	C, F, Z		48				Left
3	57010326AA	1	C, F, Z		48				WEATHERSTRIP, Front Door Belt, Outer Right
	57010327AA	1	C, F, Z		48				Left
4	06104625AA	2	C, F, Z		48				SCREW
5	68039964AA	1	C, F, Z		48				WEATHERSTRIP, Front Door Belt Inner, Inner Right
	68039965AA	1	C, F, Z		48				Left
6	1RK42DX9AB	1	C, F, Z		48				MOLDING, Door Window Opening Right
	1RK41DX9AB	1	C, F, Z		48				Left
7	68039967AB	1	C, F, Z		48				RUN, Front Door Glass Left
	68039966AB	1	C, F, Z		48				Right
8	05160047AB	1	C, F, Z		48				BUMPER, Door
9	68039978AB	1	C, F, Z		48				WEATHERSTRIP, Fender TO DOOR Right
	68039979AB	1	C, F, Z		48				Left
10	68040042AB	1	C, F, Z		48				WEATHERSTRIP, Front Door Sill SecondaryRight & Left
11	68039975AB	1	C, F, Z		48				WEATHERSTRIP, Front Door Mounted Left
	68039974AB	1	C, F, Z		48				Right
12	1KV45DX9AC	1	C, F, Z		48				WEATHERSTRIP, Front Door Opening [X9], Right & Left
	1KV45HL1AC	1	C, F, Z		48				[XL], Right & Left
13		1	C, F, Z		48				[L9], Right & Left
	55359618AB	1	C, F, Z		48				DEADENER, Body Panel

MAGNUM/300/CHARGER (LX)
 SERIES LINE
 H = HIGHLINE C = CHRYSLER
 P = PREMIUM F = EAGLE
 S = SPORT

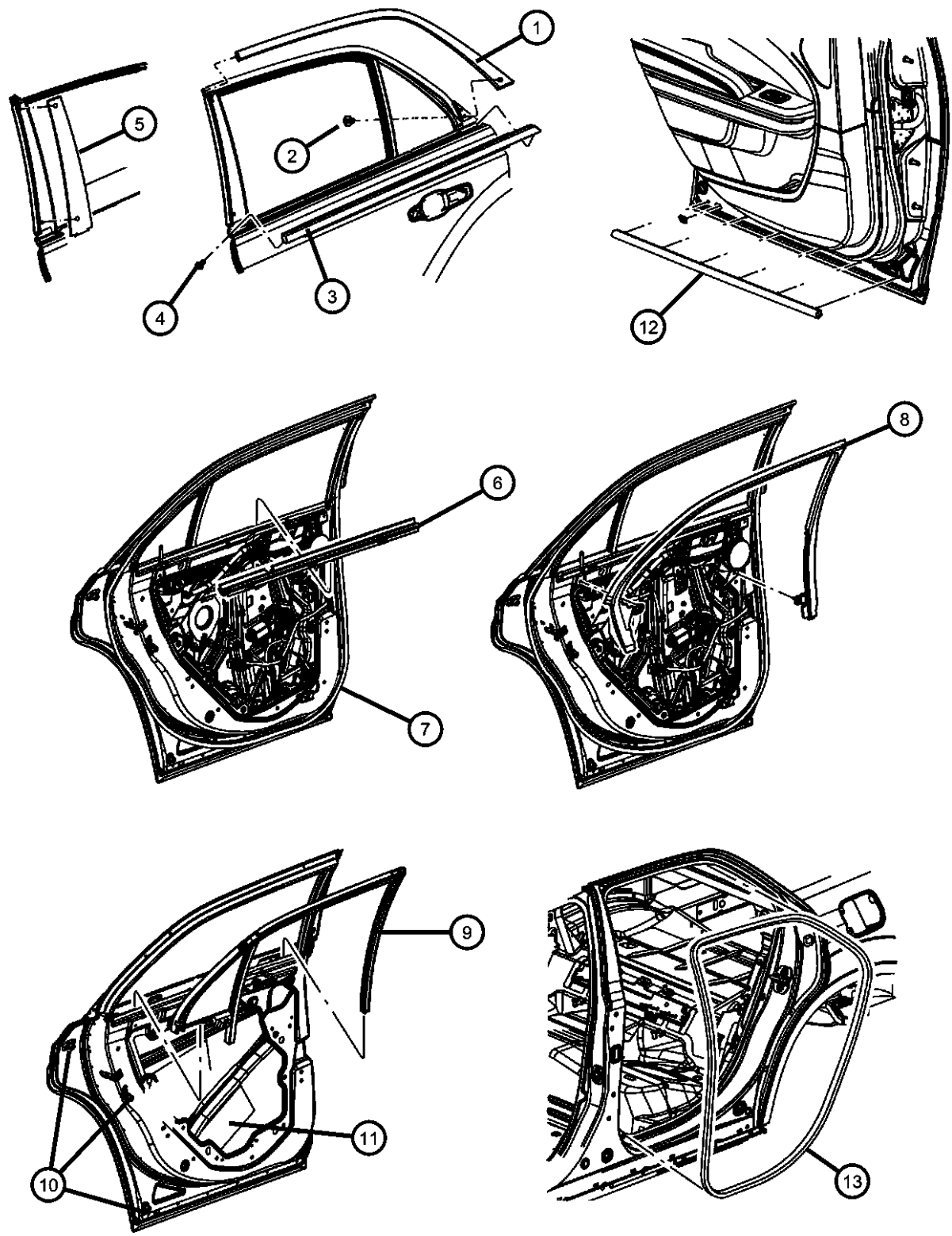
BODY
 48 = SEDAN TYPE #8

ENGINE
 ERB = 3.XL Mid V6 Engine
 EZH = 5.7L V8 HEMI MDS
 VCT Engine

TRANSMISSION
 DGJ = 5-Speed Auto W5A580
 Transmission

AR = use ase required - = Non illustrated part

Weatherstrips, Rear Door
Figure 30-625



ITEM	PART NUMBER	QTY	LINE	SERIES	BODY	ENGINE	TRANS	TRIM	DESCRIPTION
1	57010408AC	1	C, F, Z		48				MOLDING, Rear Door Right
	57010409AC	1	C, F, Z		48				Left
2	06509579AA	1	C, F, Z		48				SCREW
3	57010329AA	1	C, F, Z		48				WEATHERSTRIP, DOOR BELT OUTER, Rear Door, Outer Left
	57010328AA	1	C, F, Z		48				Right
4	06104625AA	2	C, F, Z		48				SCREW
5	57010389AB	1	C, F, Z		48				APPLIQUE, B Pillar Left
	57010388AB	1	C, F, Z		48				Right
6	68039970AA	1	C, F, Z		48				WEATHERSTRIP, DOOR BELT INNER, Rear door Right
	68039971AA	1	C, F, Z		48				Left
7	68039977AC	1	C, F, Z		48				WEATHERSTRIP, Rear Door Mounted Left
	68039976AC	1	C, F, Z		48				Right
8	55315137AB	1	C, F, Z		48				MOLDING, Door Window Opening Left
	55315138AB	1	C, F, Z		48				Right
9	68039968AB	1	C, F, Z		48				WEATHERSTRIP, Rear Door Flush Glass Right
	68039969AB	1	C, F, Z		48				Left
10	05160047AB	1	C, F, Z		48				BUMPER, Door
11	55359618AB	1	C, F, Z		48				DEADENER, Body Panel
12	68040043AB	1	C, F, Z		48				WEATHERSTRIP, Rear Door Sill Secondary Right & Left
13	1KV50HL1AB	1	C, F, Z		48				WEATHERSTRIP, Rear Door Opening [L9], Right & Left
		1	C, F, Z		48				[XL], Right & Left
	1KV50DX9AB	1	C, F, Z		48				[X9], Right & Left

MAGNUM/300/CHARGER (LX)
 SERIES LINE
 H = HIGHLINE C = CHRYSLER
 P = PREMIUM F = EAGLE
 S = SPORT

BODY
 48 = SEDAN TYPE #8

ENGINE
 ERB = 3.XL Mid V6 Engine
 EZH = 5.7L V8 HEMI MDS
 VCT Engine

TRANSMISSION
 DGJ = 5-Speed Auto W5A580
 Transmission

AR = use ase required - = Non illustrated part

Group - 40

Exterior Ornamentation

Group - 40 Exterior Ornamentation

Illustration Title

Group-Fig. No.

Nameplates

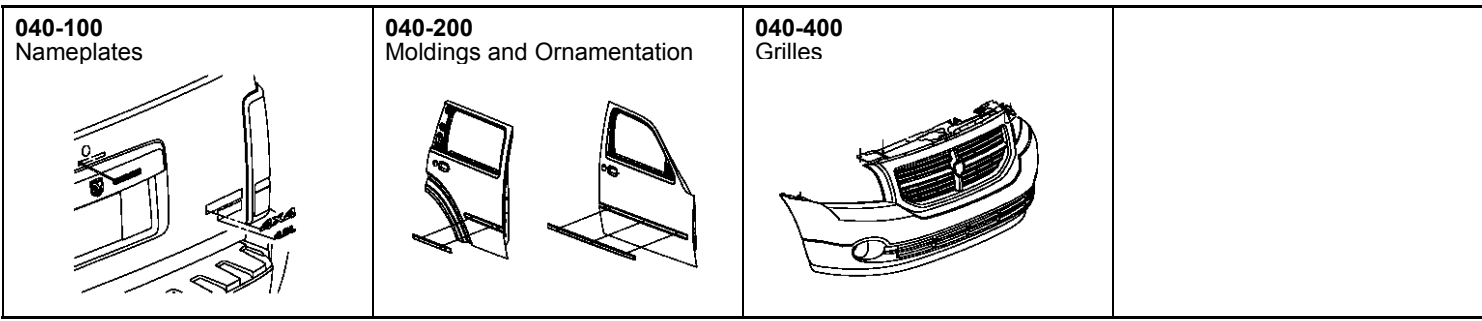
Nameplates, Emblems & MedallionsFig. 40 - 105

Moldings and Ornamentation

Exterior OrnamentationFig. 40 - 205

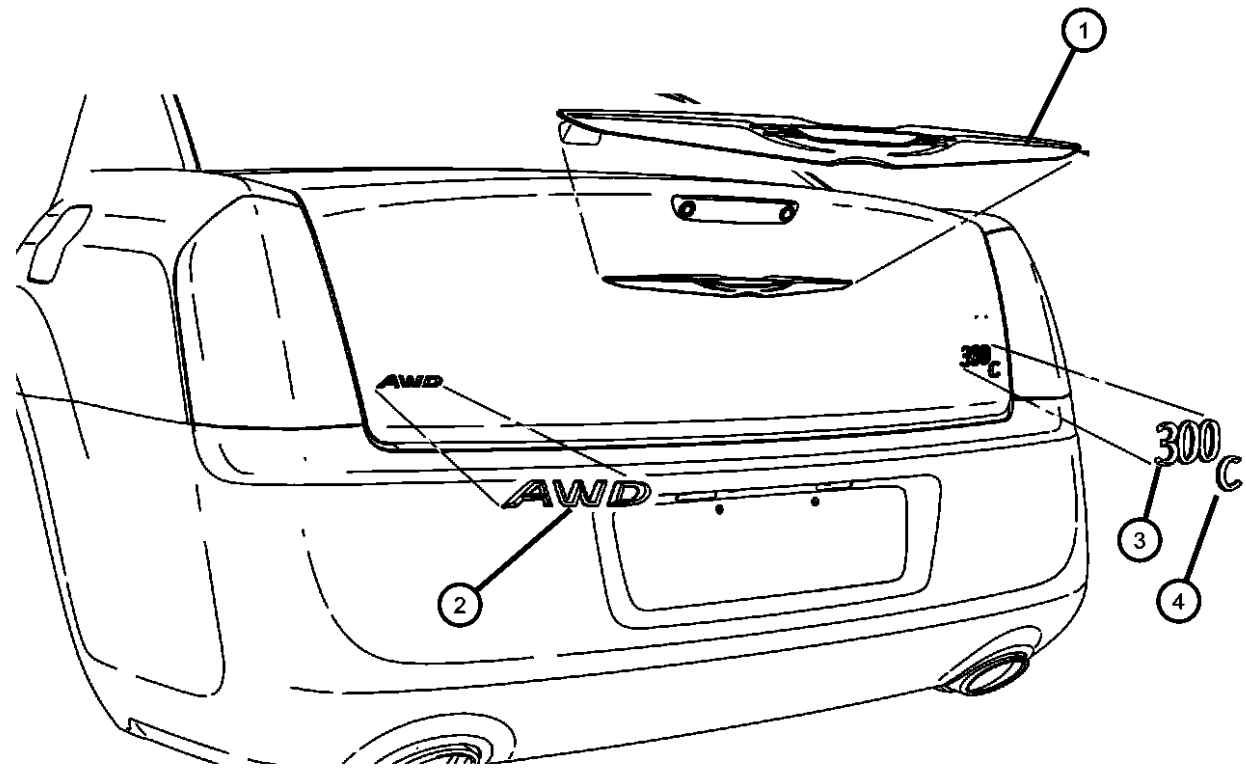
Grilles

Grilles and Related Items.....Fig. 40 - 405



Nameplates, Emblems & Medallions
Figure 40-105

ITEM	PART NUMBER	QTY	LINE	SERIES	BODY	ENGINE	TRANS	TRIM	DESCRIPTION
1	05182285AA	1	C, F, Z		48				EMBLEM, Decklid, Winged Victory, [MUV]
2	68088789AA	1	C, F		48				NAMEPLATE, AWD, [MSX]
3	68087300AB	1	C, F, Z		48				NAMEPLATE, 300, [MVG]
4	68087310AB	1	C, F, Z		48				NAMEPLATE, 300C, [MVT]



MAGNUM/300/CHARGER (LX)

SERIES LINE
H = HIGHLINE C = CHRYSLER
P = PREMIUM F = EAGLE
S = SPORT

BODY
48 = SEDAN TYPE #8

ENGINE
ERB = 3.XL Mid V6 Engine
EZH = 5.7L V8 HEMI MDS
VCT Engine

TRANSMISSION
DGJ = 5-Speed Auto W5A580
Transmission

AR = use ase required - = Non illustrated part

2011 LX

**Exterior Ornamentation
Figure 40-205**

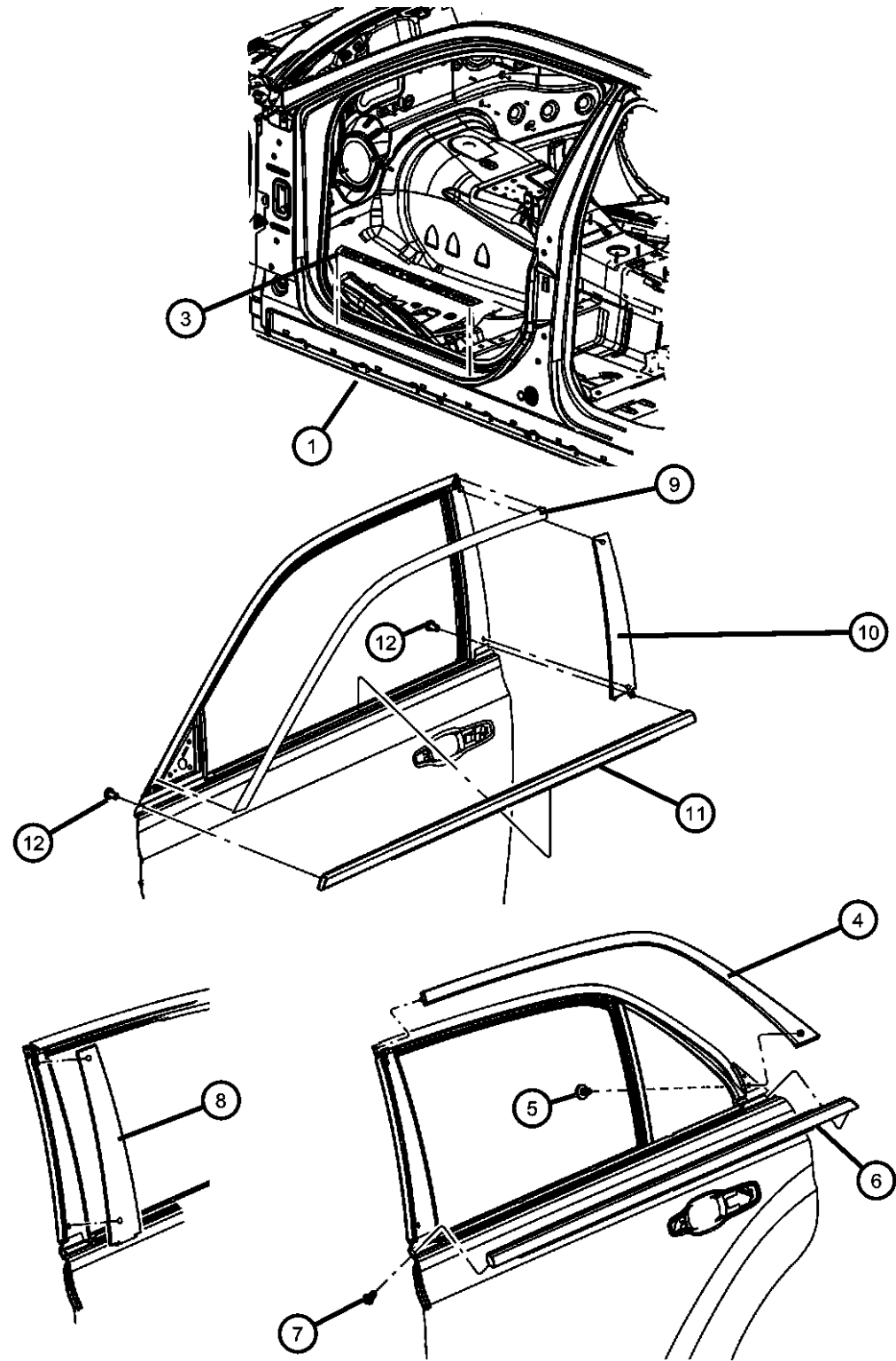
ITEM	PART NUMBER	QTY	LINE	SERIES	BODY	ENGINE	TRANS	TRIM	DESCRIPTION
1	1LG56ARHAB	1	C, F, Z		48				CLADDING, Sill
	1LG56CDMAB	1	C, F, Z		48				[MRB], [RH], Right
	1LG56JBFAB	1	C, F, Z		48				[MRB], [DM], Right
	1LG56HAVAB	1	C, F, Z		48				[MRB], [BF], Right
	1LG56HBVAB	1	C, F, Z		48				[MRB], [AV], Right
	1LG56JWDAB	1	C, F, Z		48				[MRB], [BV], Right
	1LG56JRPAB	1	C, F, Z		48				[MRB], [WD], Right
	1LG56JSCAB	1	C, F, Z		48				[MRB], [RP], Right
	1LG57CDMAB	1	C, F, Z		48				[MRB], [SC], Right
	1LG57ARHAB	1	C, F, Z		48				[MRB], [DM], Left
	1LG56GW7AB	1	C, F, Z		48				[MRB], [RH], Left
	1LG56AXRAB	1	C, F, Z		48				[MRB], [W7], Right
	1LG57HAVAB	1	C, F, Z		48				[MRB], [XR], Right
	1LG57JSCAB	1	C, F, Z		48				[MRB], [AV], Left
	1LG57JBFAB	1	C, F, Z		48				[MRB], [SC], Left
	1LG57JRPAB	1	C, F, Z		48				[MRB], [BF], Left
	1LG57AXRAB	1	C, F, Z		48				[MRB], [RP], Left
	1LG57HBVAB	1	C, F, Z		48				[MRB], [XR], Left
	1LG57GW7AB	1	C, F, Z		48				[MRB], [BV], Left
	1LG57JWDAB	1	C, F, Z		48				[MRB], [W7], Left
1LG57JWDAB	1	C, F, Z		48				[MRB], [WD], Left	
-2	06509049AA	8	C, F, Z		48				PIN, Push
3	68082551AA	1	C, F, Z		48				PLATE, Scuff, [CLP], Right & Left
4									MOLDING, Rear Door
	57010408AC	1	C, F, Z		48				Right
	57010409AC	1	C, F, Z		48				Left
5	06509579AA	1	C, F, Z		48				SCREW
6									WEATHERSTRIP, DOOR BELT
	57010329AA	1	C, F, Z		48				OUTER, Rear Door
	57010328AA	1	C, F, Z		48				Left
7	06104625AA	2	C, F, Z		48				Right
8									SCREW
	57010389AB	1	C, F, Z		48				APPLIQUE, B Pillar
	57010388AB	1	C, F, Z		48				Left
9									Right
									MOLDING, Front Door

MAGNUM/300/CHARGER (LX)

SERIES	LINE	BODY	ENGINE	TRANSMISSION
H = HIGHLINE	C = CHRYSLER	48 = SEDAN TYPE #8	ERB = 3.XL Mid V6 Engine	DGJ = 5-Speed Auto W5A580
P = PREMIUM	F = EAGLE		EZH = 5.7L V8 HEMI MDS	Transmission
S = SPORT			VCT Engine	

AR = use ase required - = Non illustrated part

Exterior Ornamentation
Figure 40-205



ITEM	PART NUMBER	QTY	LINE	SERIES	BODY	ENGINE	TRANS	TRIM	DESCRIPTION
	57010365AC	1	C, F, Z		48				Left
	57010364AC	1	C, F, Z		48				Right
10									APPLIQUE, B Pillar
	57010384AB	1	C, F, Z		48				Right
	57010385AB	1	C, F, Z		48				Left
11									WEATHERSTRIP, Front Door Belt
	57010326AA	1	C, F, Z		48				Right
	57010327AA	1	C, F, Z		48				Left
12	06104625AA	2	C, F, Z		48				SCREW

MAGNUM/300/CHARGER (LX)

SERIES LINE
H = HIGHLINE C = CHRYSLER
P = PREMIUM F = EAGLE
S = SPORT

BODY
48 = SEDAN TYPE #8

ENGINE
ERB = 3.XL Mid V6 Engine
EZH = 5.7L V8 HEMI MDS
VCT Engine

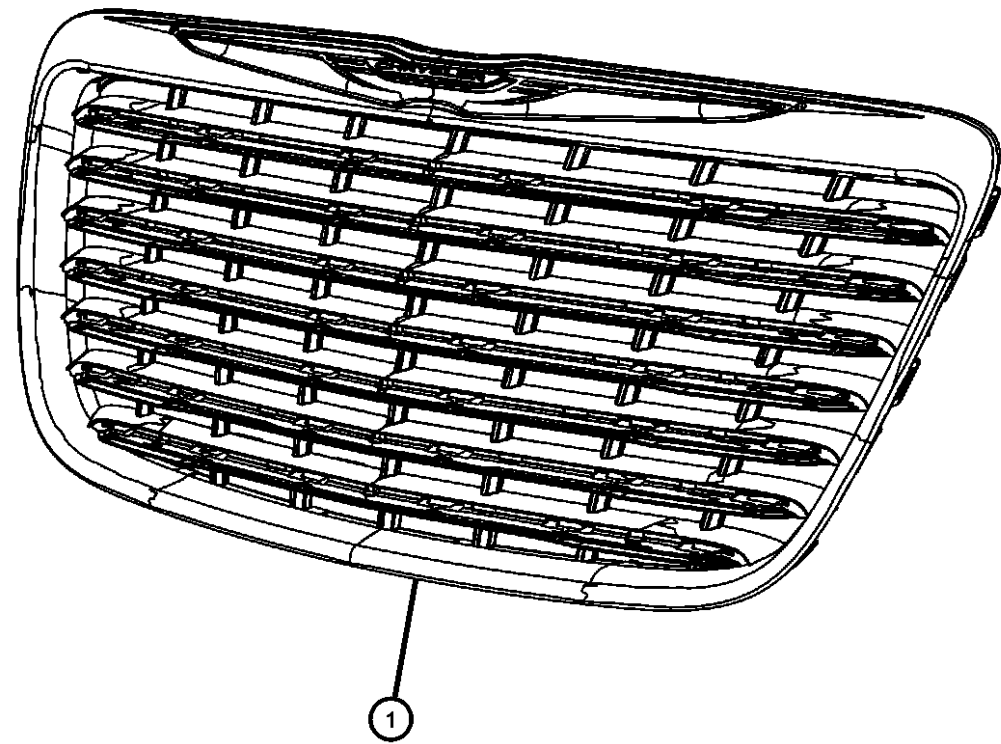
TRANSMISSION
DGJ = 5-Speed Auto W5A580
Transmission

AR = use ase required - = Non illustrated part

2011 LX

**Grilles and Related Items
Figure 40-405**

ITEM	PART NUMBER	QTY	LINE	SERIES	BODY	ENGINE	TRANS	TRIM	DESCRIPTION
1	68127942AB	1	C, F, Z		48				GRILLE, Radiator
-2	06035204	2	C, F, Z		48				SCREW, Tapping, .19-16x.75, Grille Attaching



MAGNUM/300/CHARGER (LX)

SERIES LINE
H = HIGHLINE C = CHRYSLER
P = PREMIUM F = EAGLE
S = SPORT

BODY
48 = SEDAN TYPE #8

ENGINE
ERB = 3.XL Mid V6 Engine
EZH = 5.7L V8 HEMI MDS
VCT Engine

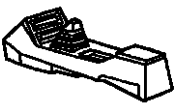
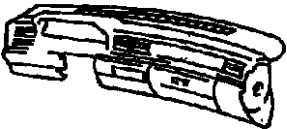
TRANSMISSION
DGJ = 5-Speed Auto W5A580
Transmission

AR = use ase required - = Non illustrated part

2011 LX

Group - 50

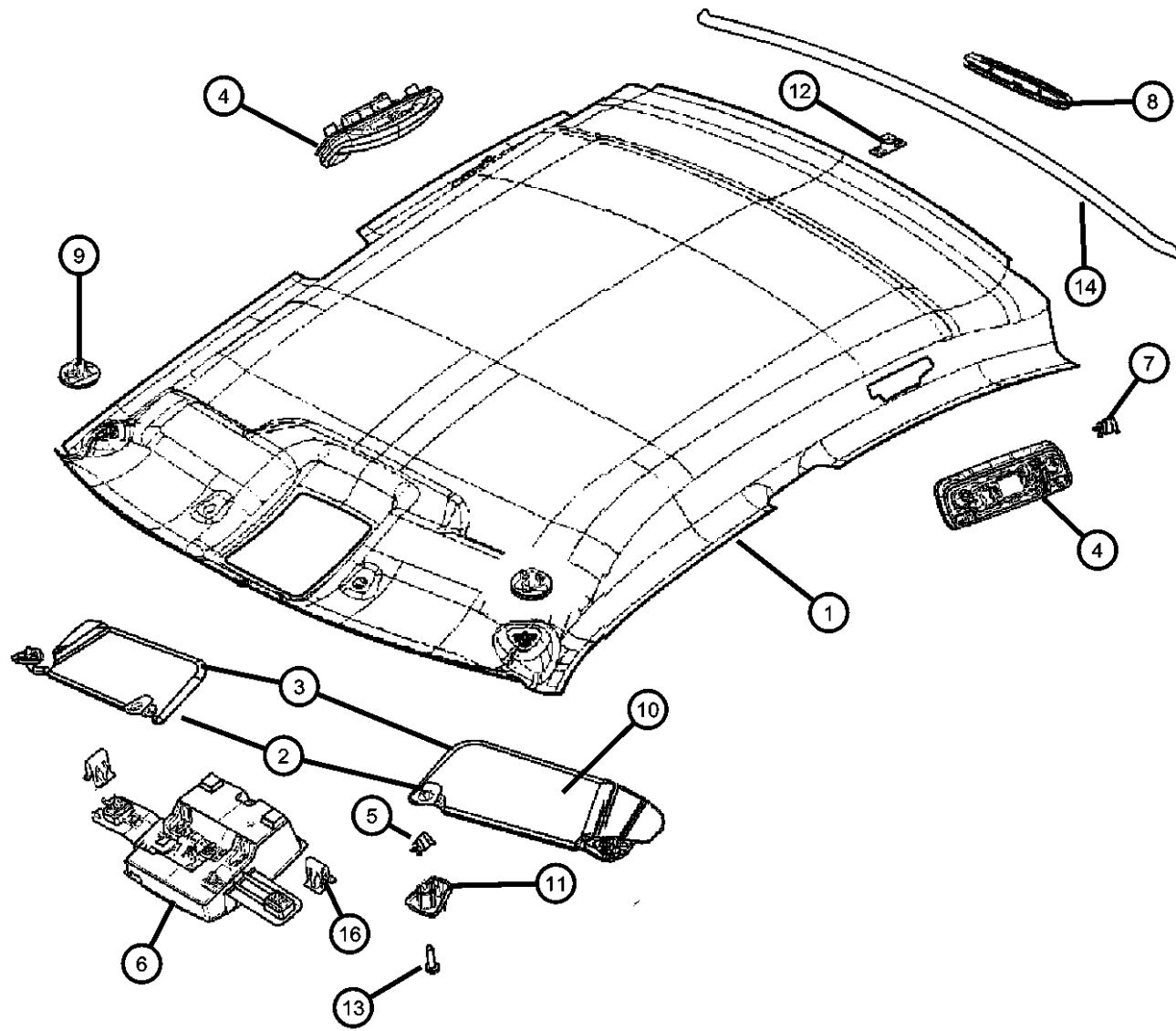
Interior Trim

<p>050-100 Headliners-Visors-Assist Straps</p>	<p>050-1000 Rear Seats - Second Row - Adjusters, Recliners, Shields and Risers</p>	<p>050-1600 Consoles</p> 	<p>050-1700 Instrument Panel</p> 
<p>050-200 Panels-Moldings-Scuff Plates, Pillar, Cowl, 1/4 Panel Trim and Cargo Covers</p>	<p>050-300 Carpets, Floor Mats, Load Floor, and Silencers</p>	<p>050-400 Door Trim Panels-Front and Rear</p>	<p>050-500 Front Seats - First Row</p>
<p>050-600 Rear Seats - Second Row</p>	<p>050-900 Front Seats - Adjusters, Recliners, Shields and Risers</p>		

Group - 50 Interior Trim

Illustration Title	Group-Fig. No.
Headliners-Visors-Assist Straps	
Headliners and Visors	Fig. 50 - 105
Rear Shelf Panel	Fig. 50 - 165
Panels-Moldings-Scuff Plates, Pillar, Cowl, 1/4 Panel Trim and Cargo Covers	
Interior Moldings and Pillars - A Pillar	Fig. 50 - 205
Interior Moldings and Pillars - B Pillar	Fig. 50 - 210
Interior Moldings and Pillars - C Pillar	Fig. 50 - 220
Cowl Side Panel and Scuff Plates	Fig. 50 - 225
Carpets, Floor Mats, Load Floor, and Silencers	
Carpet, Front	Fig. 50 - 325
Carpet, Rear	Fig. 50 - 335
Carpet Luggage Compartment	Fig. 50 - 360
Door Trim Panels-Front and Rear	
Front Door Trim Panels	Fig. 50 - 405
Rear Door Trim Panels	Fig. 50 - 415
Front Seats - First Row	
Front Seat - Bucket -Trim Code [AL]	Fig. 50 - 502
Front Seat - Bucket -Trim Code [Q5]	Fig. 50 - 515
Front Seat - Bucket -Trim Code [TL]	Fig. 50 - 516
Rear Seats - Second Row	
Rear Seat - 60/40 - Trim Code [AL]	Fig. 50 - 640
Rear Seat - 60/40 - Trim Code [Q5]	Fig. 50 - 651
Rear Seat - 60/40 - Trim Code [TL]	Fig. 50 - 652
Front Seats - Adjusters, Recliners, Shields and Risers	
Adjusters , Recliners, and Shields - Driver Seat - Power	Fig. 50 - 905
Adjusters, Recliners, and Shields - Passenger Seat - Power	Fig. 50 - 915
Adjusters, Recliners, and Shields - Passenger Seat - Manual	Fig. 50 - 920
Rear Seats - Second Row - Adjusters, Recliners, Shields and Risers	
Second Row - 60/40 Split Seat Back	Fig. 50 - 1030
Consoles	
Floor Console Front	Fig. 50 - 1605
Overhead Console	Fig. 50 - 1620
Instrument Panel	
Instrument Panel	Fig. 50 - 1704

Headliners and Visors
Figure 50-105



ITEM	PART NUMBER	QTY	LINE	SERIES	BODY	ENGINE	TRANS	TRIM	DESCRIPTION
------	-------------	-----	------	--------	------	--------	-------	------	-------------

NOTE : Sales Codes
 [GNC] = Illuminated Sunvisor
 [GWA] = Sunroof
 [JFJ] = Gauge - Temperature & Compass
 [XAA] = Park Assist - Park Sensors
 [XGD] = Garage Door Opener

1									HEADLINER
	1VG98DX9AA	1	C, F		48			*O0	[X9], [GWJ], [XGD]
	1VG98HL1AA	1	C, F		48			*O0	[L9], [GWJ], [XGD]
		1	C, F		48			*O0	[XL], [GWJ], [XGD]
	1VU10DX9AA	1	C, F		48			*O0	[X9]
	1VU10HL1AA	1	C, F		48			*O0	[L9]
		1	C, F		48			*O0	[XL]
	1VU11DX9AA	1	C, F		48			*O0	[X9], [XGD]
	1VU11HL1AA	1	C, F		48			*O0	[L9], [XGD]
		1	C, F		48			*O0	[XL], [XGD]
	1VU12DX9AA	1	C, F		48			*O0	[X9], [GWJ]
	1VU12HL1AA	1	C, F		48			*O0	[L9], [GWJ]
		1	C, F		48			*O0	[XL], [GWJ]
2		1							VISOR, Illuminated, (NOT SERVICED),
3		1							VISOR, (NOT SERVICED)
4		1							HANDLE, Roof Grab, (NOT SERVICED)
5	05108228AA	2	C, F		48			*O0	CLIP, Z-Axis, Visor & Grab Handle Attaching
6		2							RETAINER, Headliner, (NOT SERVICED)
7		2							RETAINER, Headliner Grab Handle, (NOT SERVICED)
8		2							BRACKET, Park Assist Display, (NOT SERVICED)
9		2							CLIP, Visor, (NOT SERVICED)
10		2							LENS, Illuminated Visor, (NOT SERVICED)
11		2							RECEPTACLE, Visor, (NOT SERVICED)
12		2							LOCATOR, Headliner, (NOT SERVICED)
13		2							SCREW, (NOT SERVICED)
14		2							MOLDING, Headliner, (NOT SERVICED)

MAGNUM/300/CHARGER (LX)

SERIES LINE
 H = HIGHLINE C = CHRYSLER
 P = PREMIUM F = EAGLE
 S = SPORT

BODY
 48 = SEDAN TYPE #8

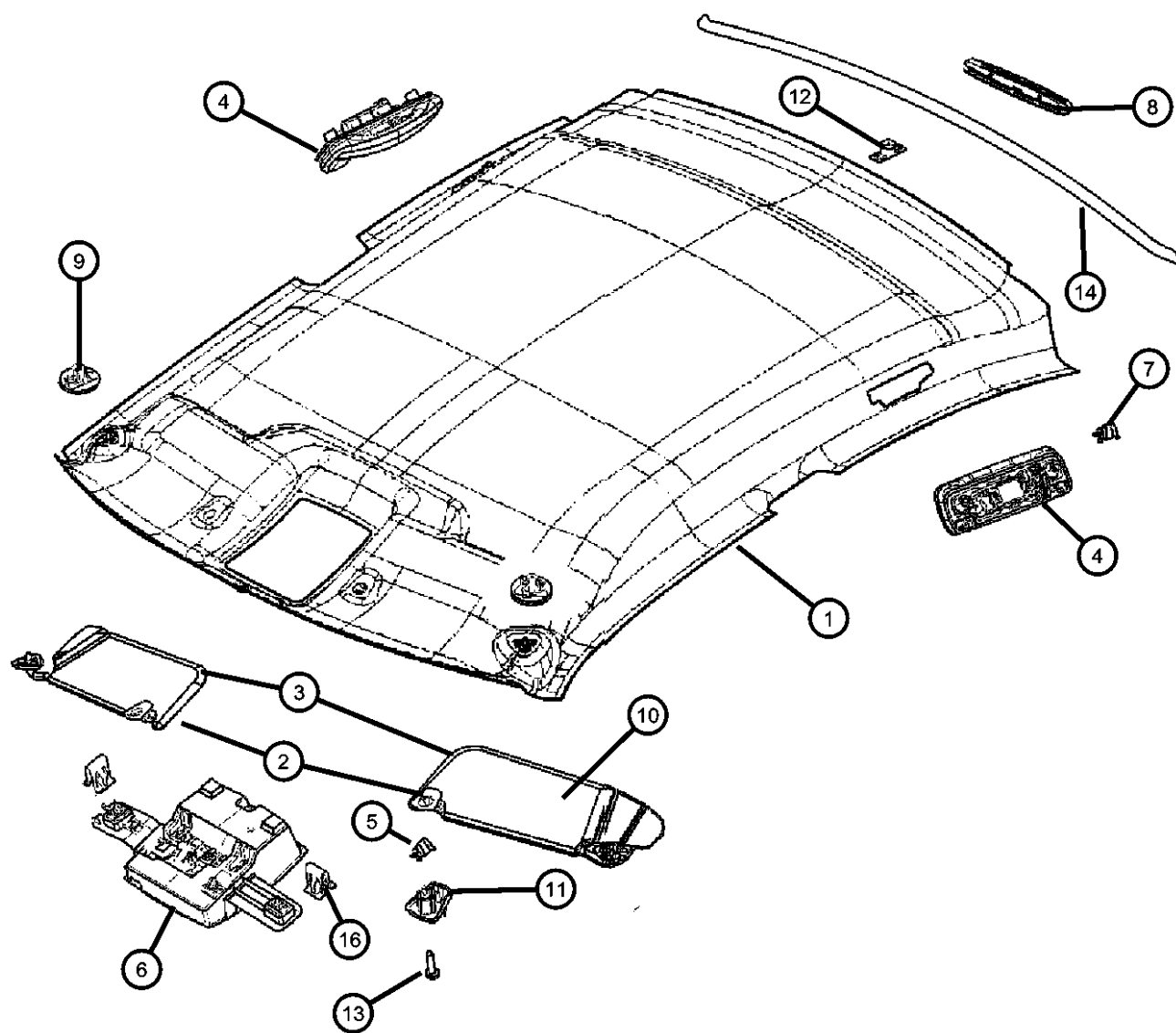
ENGINE
 ERB = 3.XL Mid V6 Engine
 EZH = 5.7L V8 HEMI MDS
 VCT Engine

TRANSMISSION
 DGJ = 5-Speed Auto W5A580
 Transmission

AR = use ase required - = Non illustrated part

2011 LX

Headliners and Visors
Figure 50-105



ITEM	PART NUMBER	QTY	LINE	SERIES	BODY	ENGINE	TRANS	TRIM	DESCRIPTION
-15		2							PIN, (NOT SERVICED)
16	05108228AA	2	C, F		48			*00	CLIP, Z-Axis

MAGNUM/300/CHARGER (LX)

SERIES LINE
H = HIGHLINE C = CHRYSLER
P = PREMIUM F = EAGLE
S = SPORT

BODY
48 = SEDAN TYPE #8

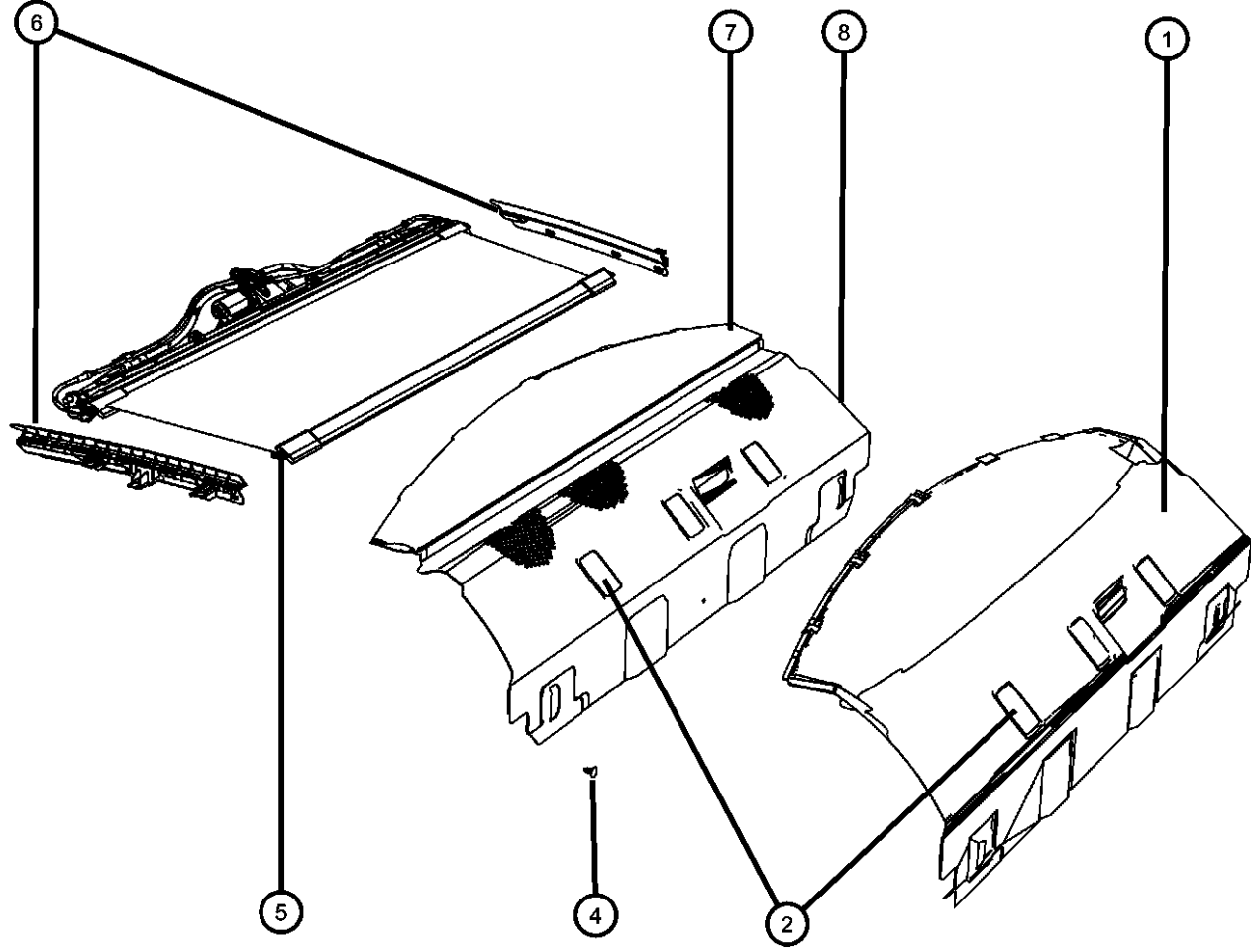
ENGINE
ERB = 3.XL Mid V6 Engine
EZH = 5.7L V8 HEMI MDS
VCT Engine

TRANSMISSION
DGJ = 5-Speed Auto W5A580
Transmission

AR = use ase required - = Non illustrated part

2011 LX

Rear Shelf Panel
Figure 50-165



ITEM	PART NUMBER	QTY	LINE	SERIES	BODY	ENGINE	TRANS	TRIM	DESCRIPTION
1	1LM49DX9AC	1	C, F, Z		48			*O0	PANEL, Rear Shelf [X9]
	1LM49HL1AC	1	C, F, Z		48			*O0	[L9]
		1	C, F, Z		48			*O0	[XL]
2		1							COVER, Anchor, Serviced Only With Shelf Panel, (NOT SERVICED),
-3		1							NUT, Retainer, M6 x 1.00, Anchor Cover, (NOT SERVICED)
4	06505411AA	1	C, F, Z		48				PIN, Push
5	55315144AD	1	C, F, Z		48				SUNSHADE, Rear Window
6									EXTENSION, Shelf Panel
	1PP21DX9AA	1	C, F, Z		48			*O0	[X9], Left
	1PP20DX9AA	1	C, F, Z		48			*O0	[X9], Right
	1PP21HL1AA	1	C, F, Z		48			*O0	[L9], Left
	1PP20HL1AA	1	C, F, Z		48			*O0	[L9], Right
		1	C, F, Z		48			*O0	[XL], Left
		1	C, F, Z		48			*O0	[XL], Right
7									PANEL, Rear Shelf, Rear
	1LV23HL1AC	1	C, F, Z		48			*O0	[L9]
	1LV23DX9AC	1	C, F, Z		48			*O0	[X9]
		1	C, F, Z		48			*O0	[XL]
8									PANEL, Rear Shelf, Front
	1LV22HL1AB	1	C, F, Z		48			*O0	[L9]
	1LV22DX9AB	1	C, F, Z		48			*O0	[X9]
		1	C, F, Z		48			*O0	[XL]

MAGNUM/300/CHARGER (LX)

SERIES LINE
H = HIGHLINE C = CHRYSLER
P = PREMIUM F = EAGLE
S = SPORT

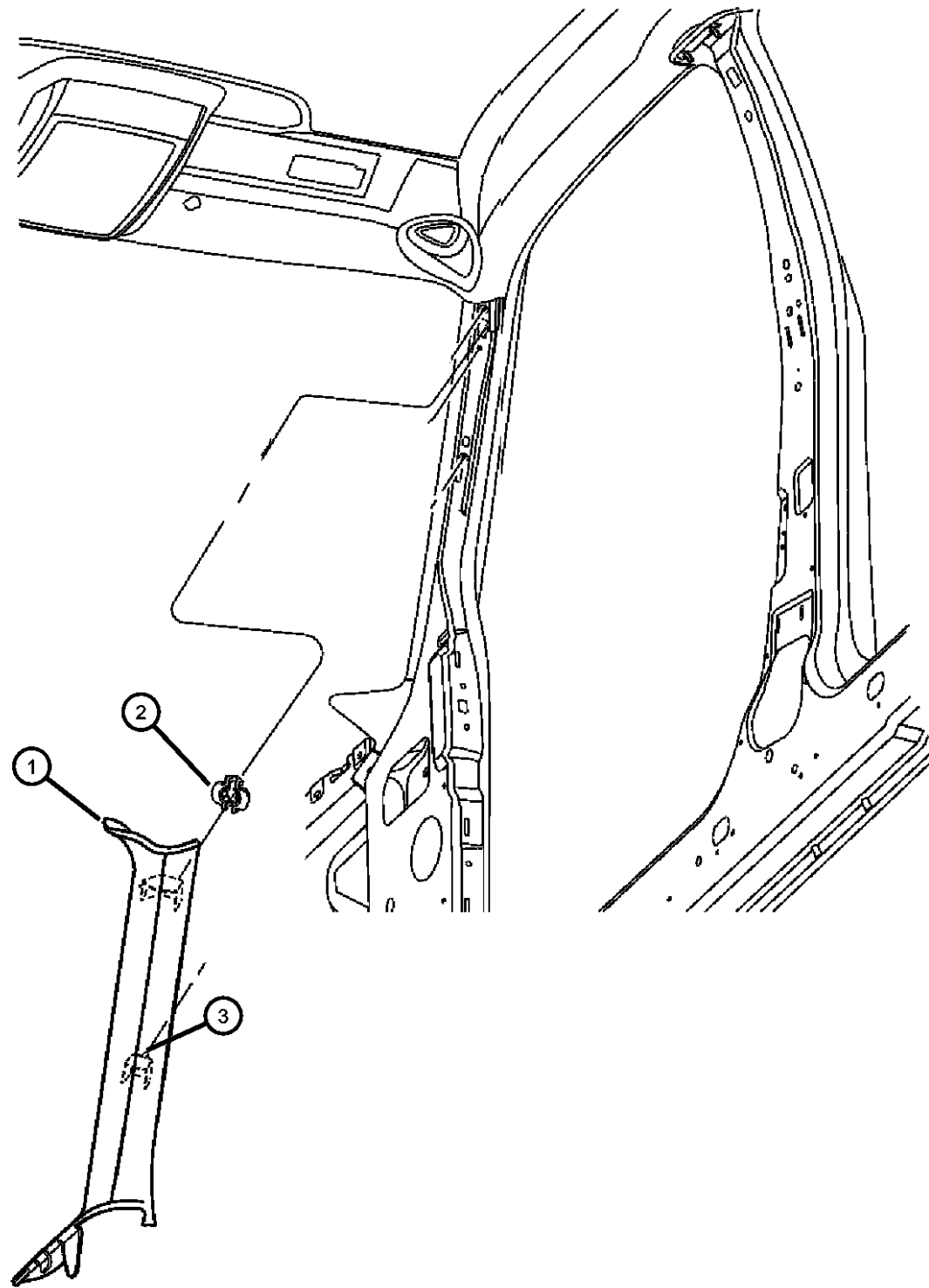
BODY
48 = SEDAN TYPE #8

ENGINE
ERB = 3.XL Mid V6 Engine
EZH = 5.7L V8 HEMI MDS VCT Engine

TRANSMISSION
DGJ = 5-Speed Auto W5A580 Transmission

AR = use ase required - = Non illustrated part

Interior Moldings and Pillars - A Pillar
Figure 50-205



ITEM	PART NUMBER	QTY	LINE	SERIES	BODY	ENGINE	TRANS	TRIM	DESCRIPTION
1									MOLDING, Windshield
	1KR14HL1AC	1	C, F, Z		48			*00	[L9], Right
		1	C, F, Z		48			*00	[XL], Right
	1KR14DX9AC	1	C, F, Z		48			*00	[X9], Right
	1KR15DX9AC	1	C, F, Z		48			*00	[X9], Left
	1KR15HL1AC	1	C, F, Z		48			*00	[L9], Left
		1	C, F, Z		48			*00	[XL], Left
2		1							TETHER, Grommet, (NOT SERVICED),
3		1							ANCHOR, Tether, (NOT SERVICED)

MAGNUM/300/CHARGER (LX)

SERIES LINE
H = HIGHLINE C = CHRYSLER
P = PREMIUM F = EAGLE
S = SPORT

BODY
48 = SEDAN TYPE #8

ENGINE
ERB = 3.XL Mid V6 Engine
EZH = 5.7L V8 HEMI MDS
VCT Engine

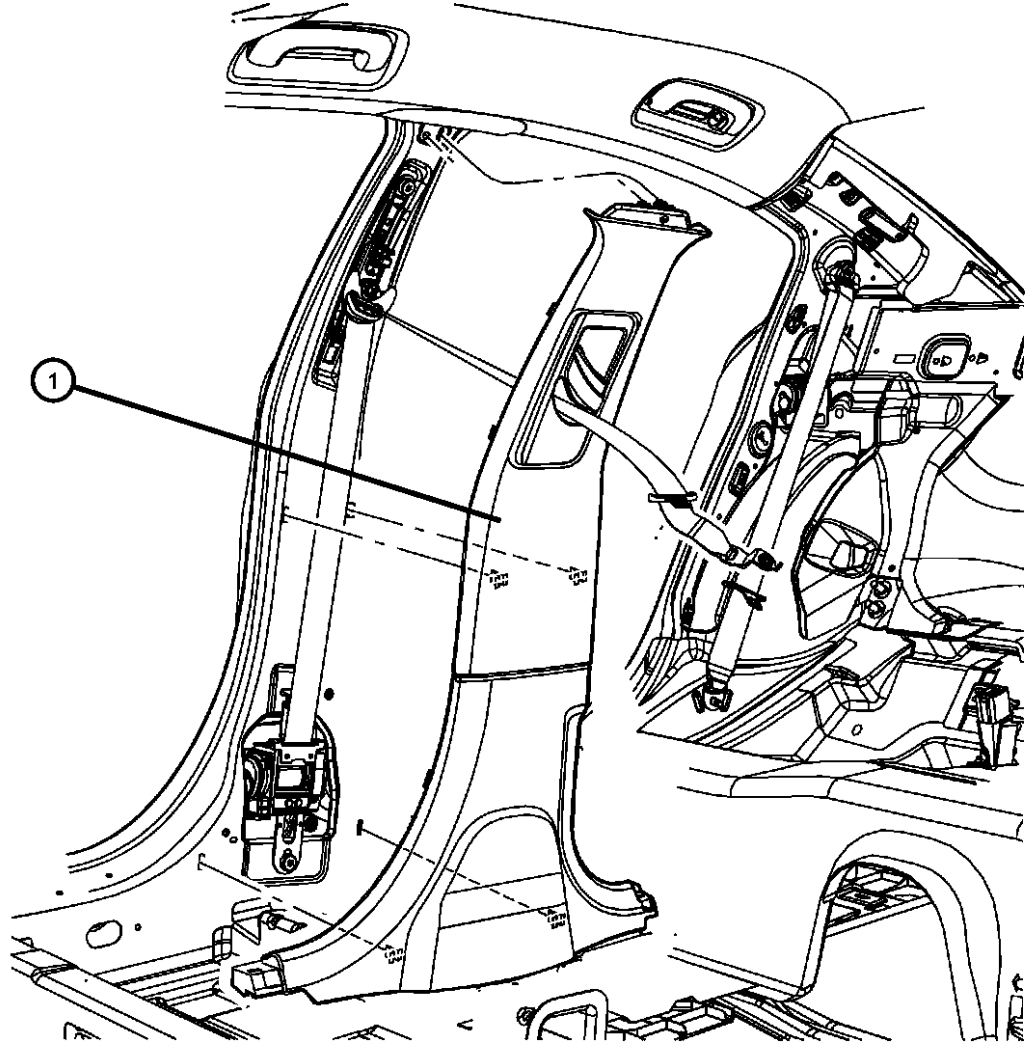
TRANSMISSION
DGJ = 5-Speed Auto W5A580
Transmission

AR = use ase required - = Non illustrated part

2011 LX

Interior Moldings and Pillars - B Pillar
Figure 50-210

ITEM	PART NUMBER	QTY	LINE	SERIES	BODY	ENGINE	TRANS	TRIM	DESCRIPTION
1									PANEL, B Pillar Upper Trim
	1PT55DX9AB	1	C, F, Z		48			*00	[X9], Left
	1PT55HL1AB	1	C, F, Z		48			*00	[L9], Left
		1	C, F, Z		48			*00	[XL], Left
	1PT56DX9AB	1	C, F, Z		48			*00	[X9], Right
	1PT56HL1AB	1	C, F, Z		48			*00	[L9], Right
		1	C, F, Z		48			*00	[XL], Right



MAGNUM/300/CHARGER (LX)

SERIES LINE
H = HIGHLINE C = CHRYSLER
P = PREMIUM F = EAGLE
S = SPORT

BODY
48 = SEDAN TYPE #8

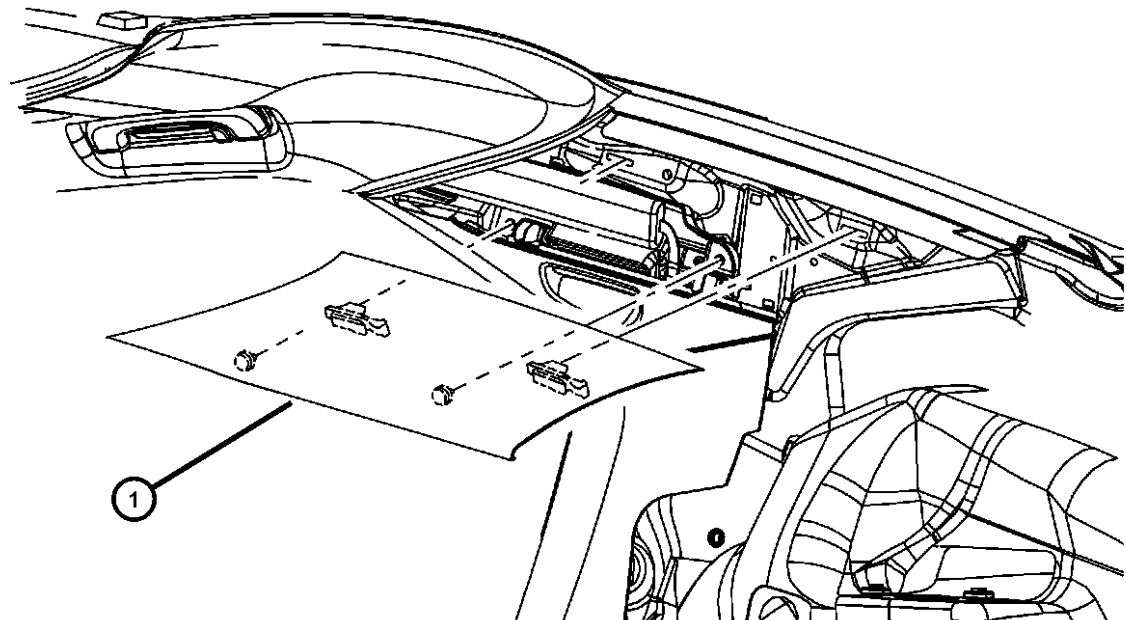
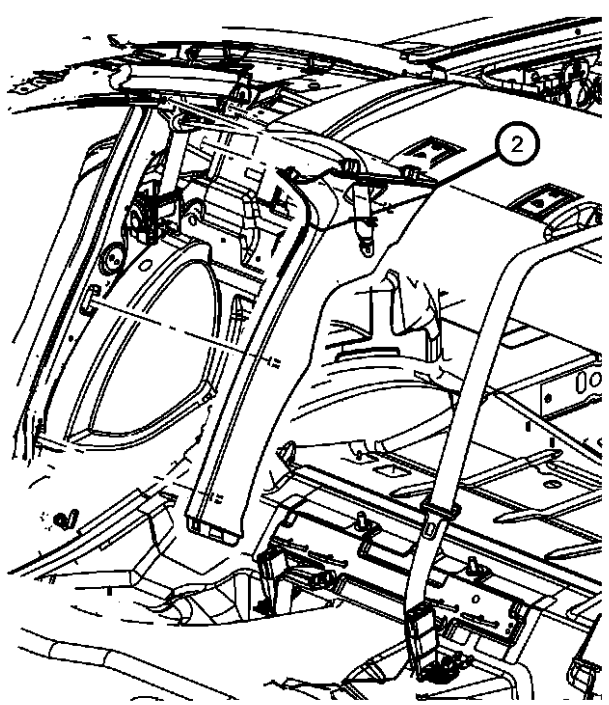
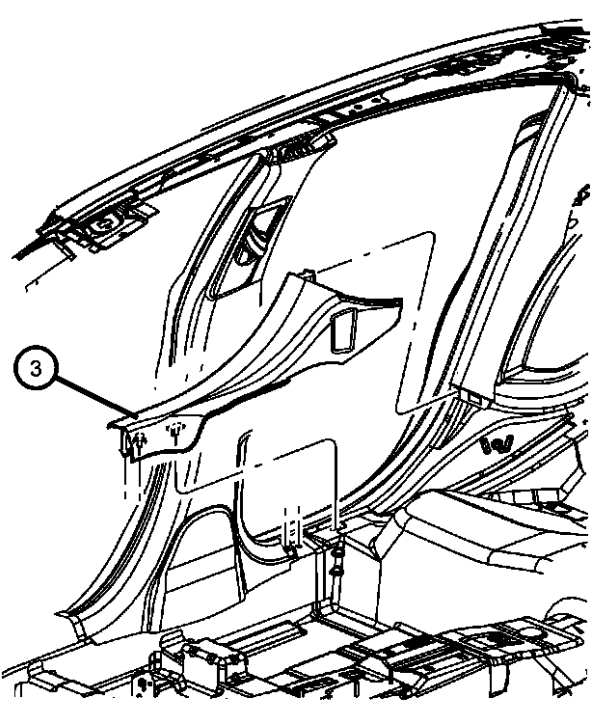
ENGINE
ERB = 3.XL Mid V6 Engine
EZH = 5.7L V8 HEMI MDS
VCT Engine

TRANSMISSION
DGJ = 5-Speed Auto W5A580
Transmission

AR = use ase required - = Non illustrated part

2011 LX

Interior Moldings and Pillars - C Pillar
Figure 50-220

ITEM	PART NUMBER	QTY	LINE	SERIES	BODY	ENGINE	TRANS	TRIM	DESCRIPTION
	1								PANEL, C Pillar Inner, Upper
	1KL52HL1AA	1	C, F, Z		48			*00	[L9], [JP9], Right
	1KL32DX9AB	1	C, F, Z		48			*00	[X9], Right
	1KL32HL1AB	1	C, F, Z		48			*00	[L9], Right
		1	C, F, Z		48			*00	[XL], Right
	1KL33DX9AB	1	C, F, Z		48			*00	[X9], Left
	1KL33HL1AB	1	C, F, Z		48			*00	[L9], Left
		1	C, F, Z		48			*00	[XL], Left
	1KL52DX9AA	1	C, F, Z		48			*00	[X9], [JP9], Right
		1	C, F, Z		48			*00	[XL], [JP9], Right
	1KL53DX9AA	1	C, F, Z		48			*00	[X9], [JP9], Left
	1KL53HL1AA	1	C, F, Z		48			*00	[L9], [JP9], Left
		1	C, F, Z		48			*00	[XL], [JP9], Left
		2							
1KL74DX9AA		1	C, F, Z		48			*00	[X9], Right
1KL75DX9AA		1	C, F, Z		48			*00	[X9], Left
1KL75HL1AA		1	C, F, Z		48			*00	[L9], Left
		1	C, F, Z		48			*00	[XL], Left
1KL74HL1AA		1	C, F, Z		48			*00	[L9], Right
	1	C, F, Z		48			*00	[XL], Right	
	3								MOLDING, Door Sill, Rear Door
	1KL39DX9AC	1	C, F, Z		48			*00	[X9], Left
	1KL39HL1AC	1	C, F, Z		48			*00	[L9], Left
		1	C, F, Z		48			*00	[XL], Left
	1KL40DX9AC	1	C, F, Z		48			*00	[X9], Right
	1KL40HL1AC	1	C, F, Z		48			*00	[L9], Right
	1	C, F, Z		48			*00	[XL], Right	

MAGNUM/300/CHARGER (LX)

SERIES LINE
H = HIGHLINE C = CHRYSLER
P = PREMIUM F = EAGLE
S = SPORT

BODY
48 = SEDAN TYPE #8

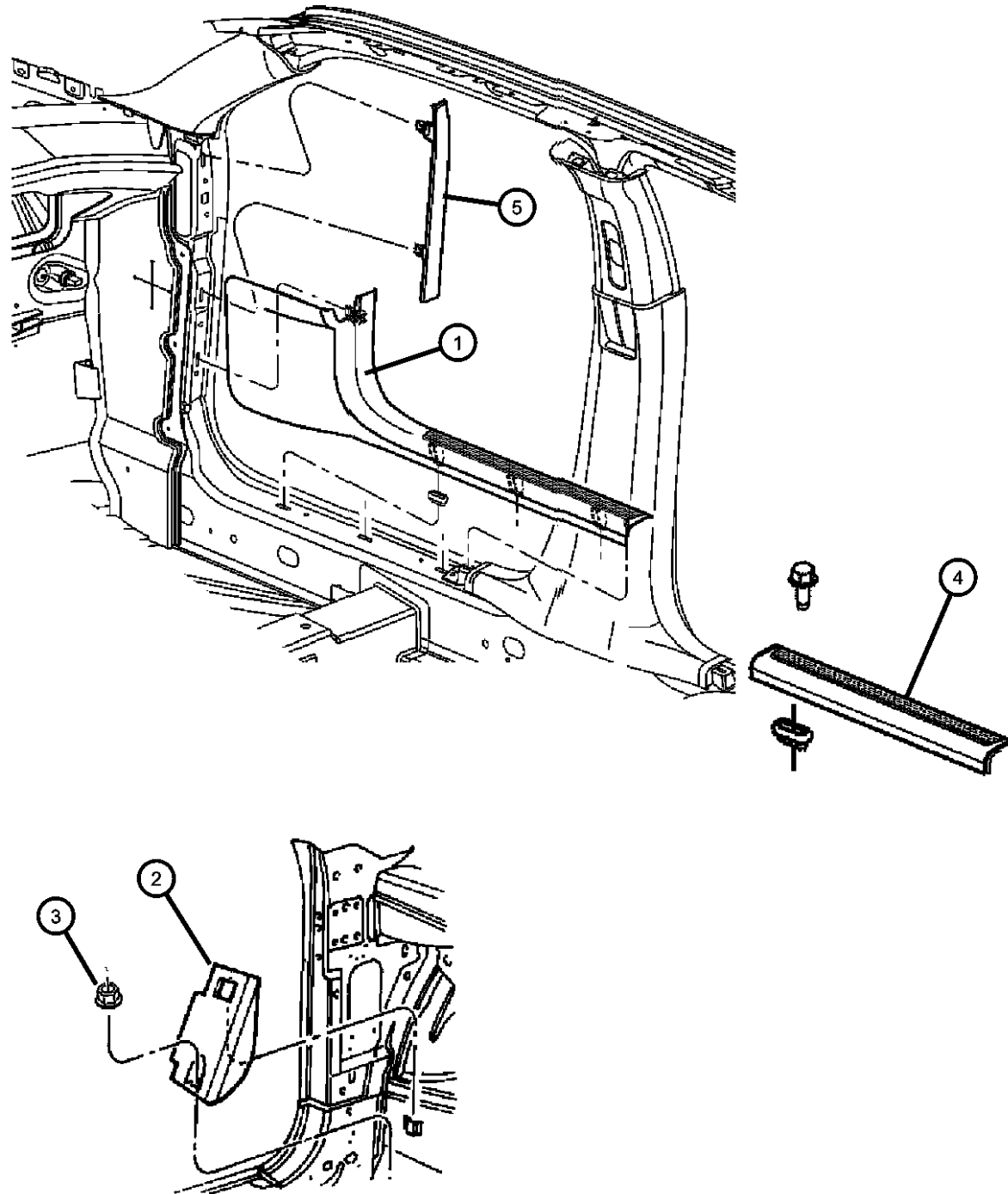
ENGINE
ERB = 3.XL Mid V6 Engine
EZH = 5.7L V8 HEMI MDS
VCT Engine

TRANSMISSION
DGJ = 5-Speed Auto W5A580
Transmission

AR = use ase required - = Non illustrated part

2011 LX

Cowl Side Panel and Scuff Plates
Figure 50-225



ITEM	PART NUMBER	QTY	LINE	SERIES	BODY	ENGINE	TRANS	TRIM	DESCRIPTION
1									PANEL, Cowl Side Trim
	1KL43DX9AA	1	C, F		48			*O0	[X9], Left
	1KL43HL1AA	1	C, F		48			*O0	[L9], Left
		1	C, F		48			*O0	[XL], Left
	1KL46DX9AA	1	C, F		48			*O0	[X9], Right
	1KL46HL1AA	1	C, F		48			*O0	[L9], Right
		1	C, F		48			*O0	[XL], Right
2									SUPPORT, Footrest
	55197482AA	1	C, F, Z		48				[DKB]
		1	F		48				
3	06505297AA	1	C, F, Z		48				NUT, Hex Flange, M5-1.6, Footrest to Floor Pan
4									MOLDING, Door Sill
	1KL39DX9AC	1	C, F, Z		48			*O0	[X9], Left
	1KL39HL1AC	1	C, F, Z		48			*O0	[L9], Left
		1	C, F, Z		48			*O0	[XL], Left
	1KL40DX9AC	1	C, F, Z		48			*O0	[X9], Right
	1KL40HL1AC	1	C, F, Z		48			*O0	[L9], Right
		1	C, F, Z		48			*O0	[XL], Right
5									FOAM, Blocker
	68043204AB	1	C, F, Z		48				Right
	68043205AB	1	C, F, Z		48				Left

MAGNUM/300/CHARGER (LX)

SERIES LINE
H = HIGHLINE C = CHRYSLER
P = PREMIUM F = EAGLE
S = SPORT

BODY
48 = SEDAN TYPE #8

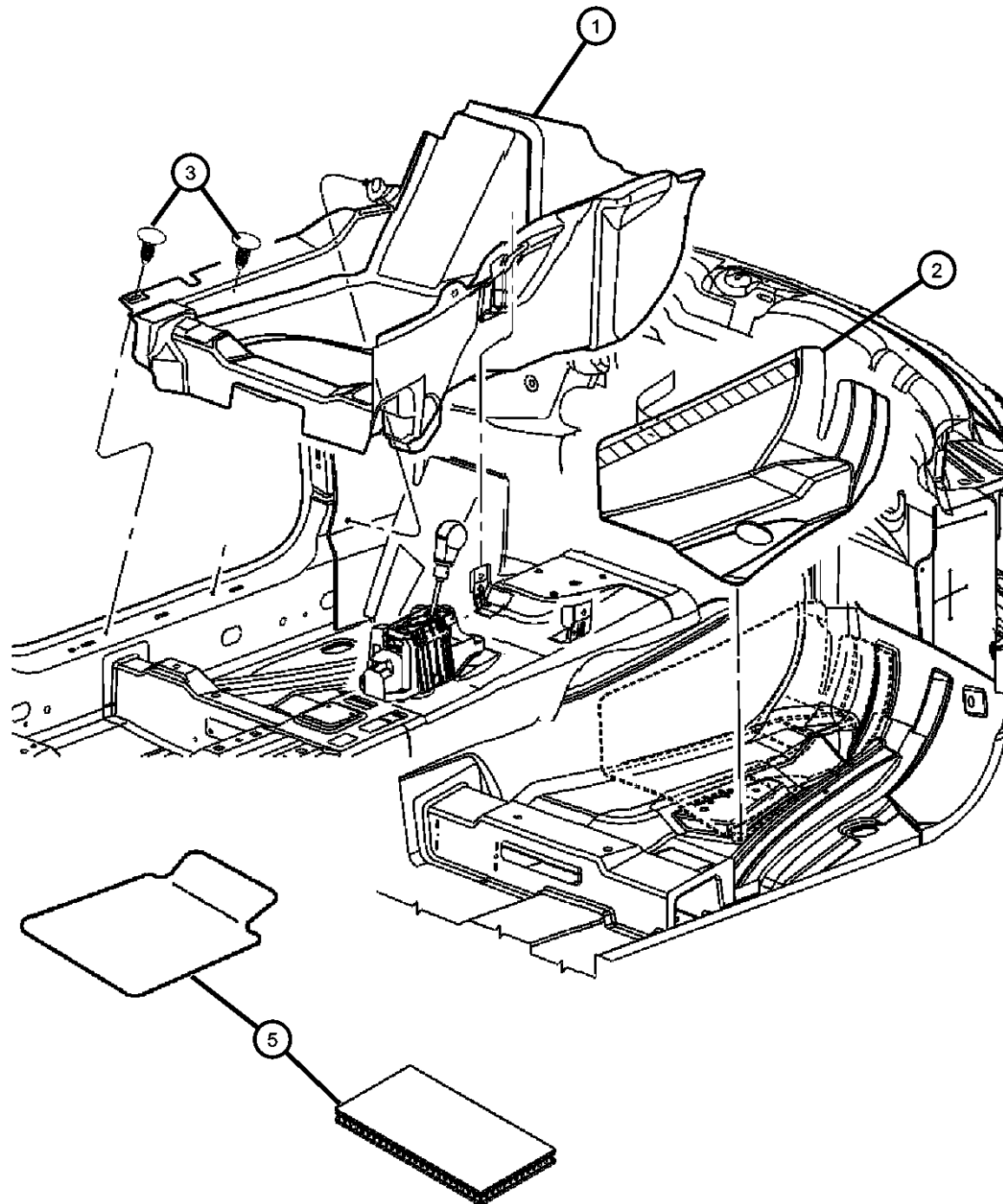
ENGINE
ERB = 3.XL Mid V6 Engine
EZH = 5.7L V8 HEMI MDS
VCT Engine

TRANSMISSION
DGJ = 5-Speed Auto W5A580
Transmission

AR = use ase required - = Non illustrated part

2011 LX

Carpet, Front
Figure 50-325



ITEM	PART NUMBER	QTY	LINE	SERIES	BODY	ENGINE	TRANS	TRIM	DESCRIPTION
1									CARPET, Front Floor
	1NG30DX9AD	1	C		48			*00	[X9], Right
	1NG30HL1AD	1	C		48			*00	[L9], Right
		1	C		48			*00	[XL], Right
	1NG31DX9AD	1	C, F		48			*00	[X9], Left
	1NG31HL1AD	1	C, F		48			*00	[L9], Left
		1	C, F		48			*00	[XL], Left
	1NG38DX9AD	1	F		48			*00	[X9], Right
	1NG38HL1AD	1	F		48			*00	[L9], Right
2									SILENCER, Tunnel
	05112122AC	1	C, F		48				Right
	05112123AC	1	C, F		48				Left
3	06508563AA	6	C, F, Z		48				PIN, Push
-4		6							FASTENER, (NOT SERVICED)
5									MAT KIT, Front & rear, Carpet
	1NK36DX9AC	1	C		48			*00	[X9]
	1NK36HL1AC	1	C		48			*00	[L9]
		1	C		48			*00	[XL]
	1NL36DX9AC	1	F		48			*00	[X9]
	1NL36HL1AC	1	F		48			*00	[L9]
-6		1							HOOK, Mat To Carpet, (NOT SERVICED),

MAGNUM/300/CHARGER (LX)

SERIES LINE
H = HIGHLINE C = CHRYSLER
P = PREMIUM F = EAGLE
S = SPORT

BODY
48 = SEDAN TYPE #8

ENGINE
ERB = 3.XL Mid V6 Engine
EZH = 5.7L V8 HEMI MDS
VCT Engine

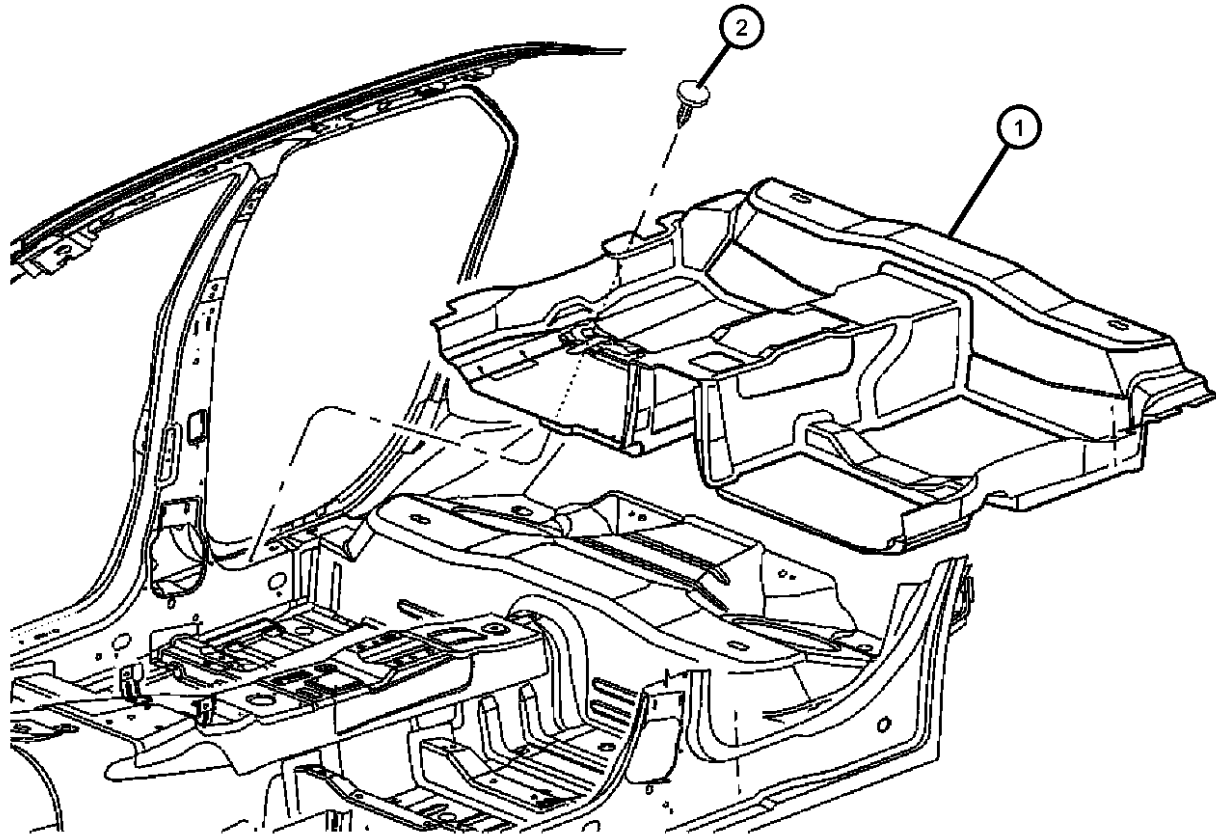
TRANSMISSION
DGJ = 5-Speed Auto W5A580
Transmission

AR = use ase required - = Non illustrated part

2011 LX

**Carpet, Rear
Figure 50-335**

ITEM	PART NUMBER	QTY	LINE	SERIES	BODY	ENGINE	TRANS	TRIM	DESCRIPTION
1									CARPET, Rear Floor, Rear Floor
	1NG32DX9AD	1	C, F, Z		48			*00	[X9]
	1NG32HL1AD	1	C, F, Z		48			*00	[L9]
		1	C, F, Z		48			*00	[XL]
2		1							PIN, (NOT SERVICED),



MAGNUM/300/CHARGER (LX)

SERIES LINE
H = HIGHLINE C = CHRYSLER
P = PREMIUM F = EAGLE
S = SPORT

BODY
48 = SEDAN TYPE #8

ENGINE
ERB = 3.XL Mid V6 Engine
EZH = 5.7L V8 HEMI MDS
VCT Engine

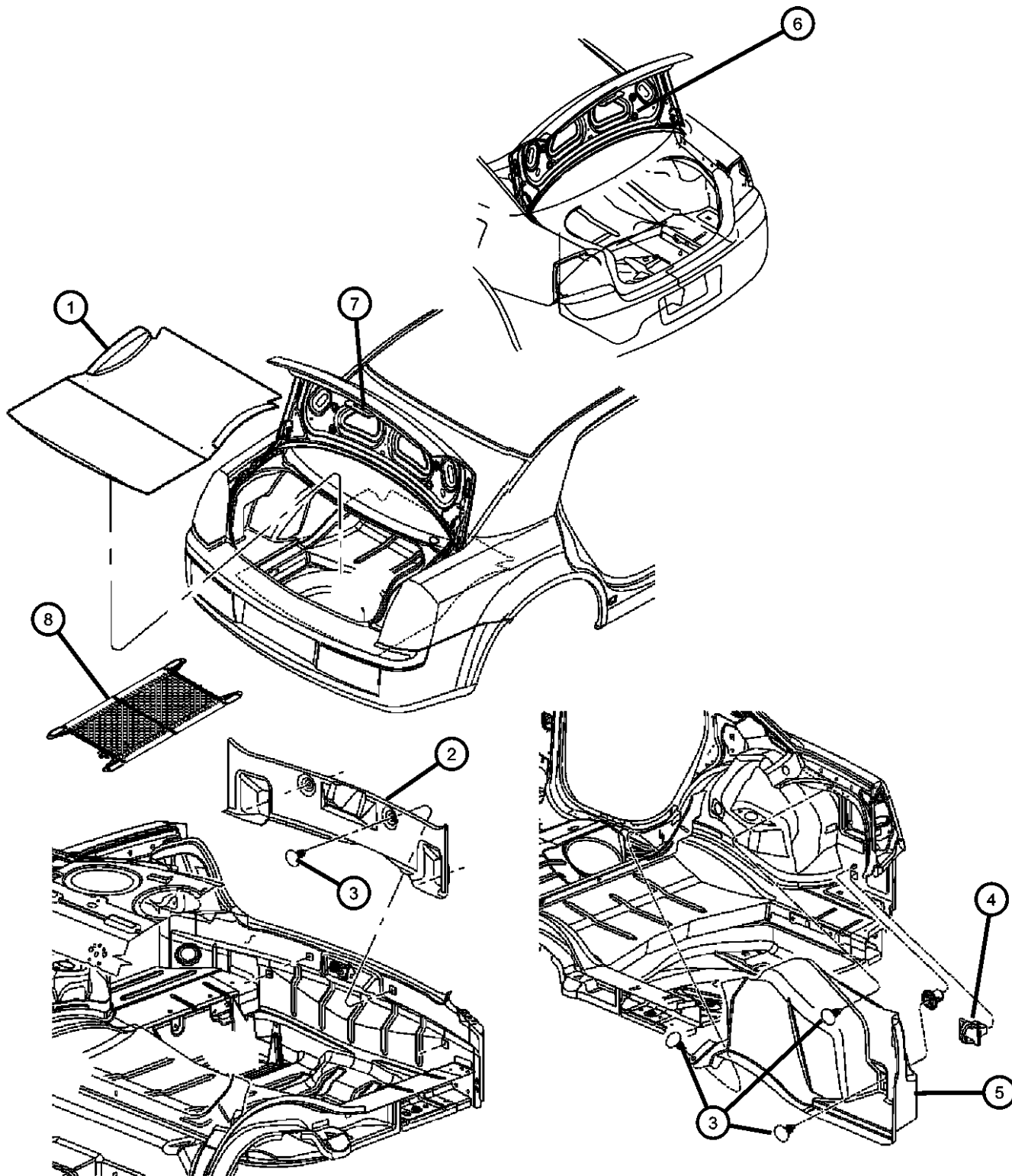
TRANSMISSION
DGJ = 5-Speed Auto W5A580
Transmission

AR = use ase required - = Non illustrated part

2011 LX

**Carpet Luggage Compartment
Figure 50-360**

ITEM	PART NUMBER	QTY	LINE	SERIES	BODY	ENGINE	TRANS	TRIM	DESCRIPTION
1	55315147AF	1	C, F		48				CARPET, Luggage Compartment
2	1KL85DX9AC	1	C, F		48			*O0	PLATE, Scuff
3	06509244AA	7	C, F, Z		48				PUSH PIN
4	05057812AB	4	C, F, Z		48				HOOK, Cargo Net
5									CARPET, Trunk
	55315124AG	1	C, F, Z		48				Right
	55315123AG	1	C, F, Z		48				Left
6	55315128AC	1	C, F, Z		48				COVER, Decklid Interior Trim
7	05057794AC	1	C, F		48				PULL CUP, Decklid Inner
8	05057810AA	1	C, F, Z		48				NET, Cargo



MAGNUM/300/CHARGER (LX)

SERIES LINE
H = HIGHLINE C = CHRYSLER
P = PREMIUM F = EAGLE
S = SPORT

BODY
48 = SEDAN TYPE #8

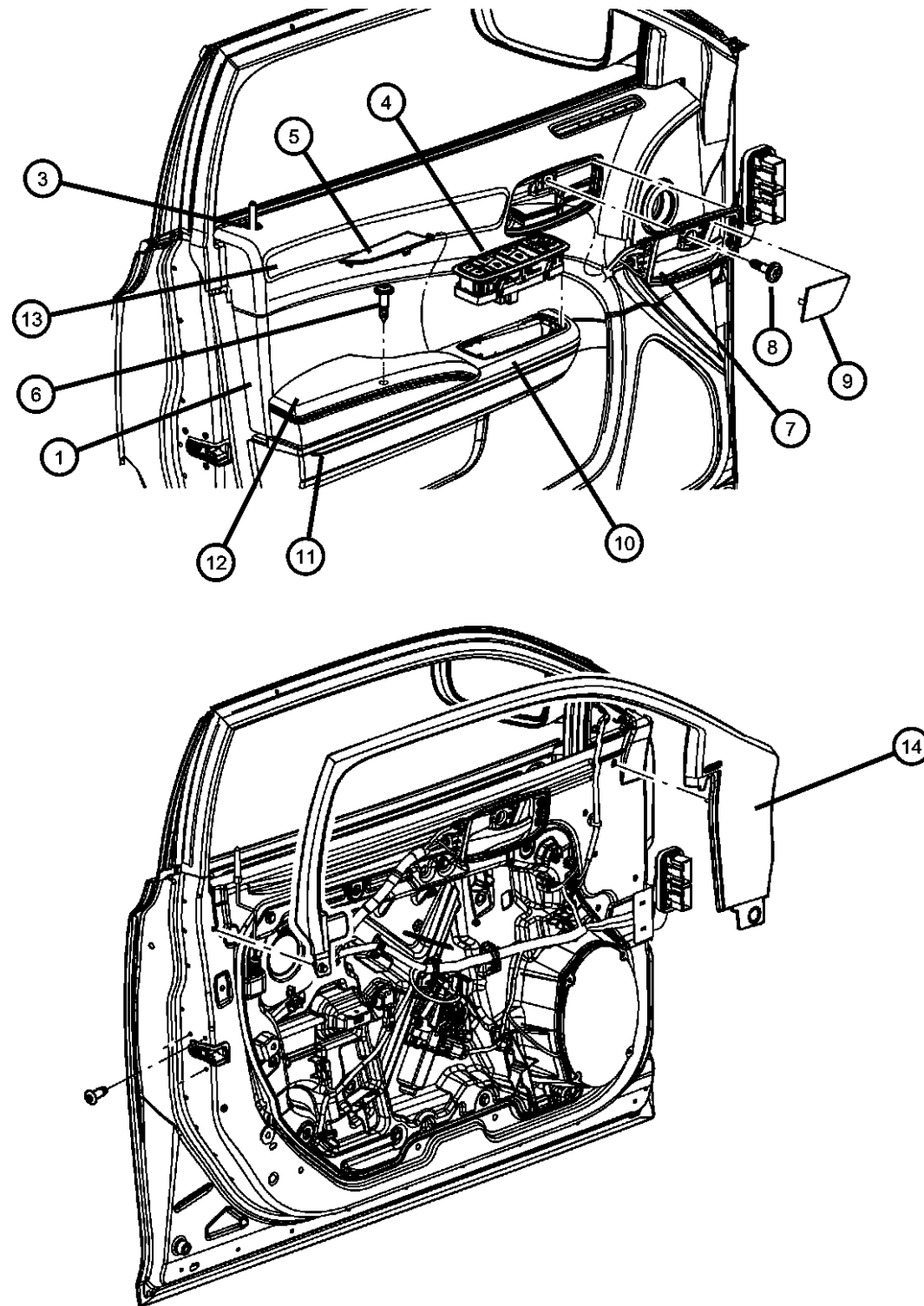
ENGINE
ERB = 3.XL Mid V6 Engine
EZH = 5.7L V8 HEMI MDS
VCT Engine

TRANSMISSION
DGJ = 5-Speed Auto W5A580
Transmission

AR = use ase required - = Non illustrated part

2011 LX

**Front Door Trim Panels
Figure 50-405**



ITEM	PART NUMBER	QTY	LINE	SERIES	BODY	ENGINE	TRANS	TRIM	DESCRIPTION
Sales Codes [MVM] = Badge - Boston Acoustic									
1									PANEL, Front Door Trim
	1JR16DX9AE	1	C, F		48			*00	[X9], [XSJ] Without [LBU], Right
	1JR17DX9AE	1	C, F		48			*00	[X9], [XJS], [JKD] Without [LEW] And/Or [LBU], Left
	1JR24DX9AE	1	C, F		48			*00	[X9], [XSR], [LBU], Right
	1JR25DX9AE	1	C, F		48			*00	[X9], [XSR], [LEW], [LBU], [JKD], Left
	1TJ121X9AC	1	C, F		48			*00	[XL], [XSM] Without [LBU], Right
	1TJ131X9AC	1	C, F		48			*00	[XL], [XSM], [JKD] Without [LBU], Left
	1UD481L9AB	1	C, F		48			*00	[L9], [XSN], [LBU], Right
	1UD491L9AB	1	C, F		48			*00	[L9], [XSN], [LBU], [JKD], Left
-2	56046229AC	1	C, F		48			*00	SWITCH, Fuel Door, [JKD]
3	68110709AA	1	C, F		48			*00	GROMMET, Lock Knob
4		1							SWITCH AND BEZEL, Front Door, See Group 8, (NOT SERVICED)
5									PLUG, Armrest
	1SE58DX9AA	1	C, F, Z		48			*00	[X9], Right
	1SE58HL1AA	1	C, F, Z		48			*00	[L9], Right
		1	C, F, Z		48			*00	[XL], Right
	1SE59DX9AA	1	C, F, Z		48			*00	[X9], Left
	1SE59HL1AA	1	C, F, Z		48			*00	[L9], Left
		1	C, F, Z		48			*00	[XL], Left
6	06509602AA	1	C, F, Z		48				SCREW, M4X1.57X25.00
7									HANDLE, Inside Remote Control
	1TF56DX9AC	1	C, F, Z		48			*00	[X9], Right
	1TF56HL1AC	1	C, F, Z		48			*00	[XL], Right
	1TF57DX9AC	1	C, F, Z		48			*00	[X9], [LEW], Left
	1TF57HL1AC	1	C, F, Z		48			*00	[L9], [LEW], Left
		1	C, F, Z		48			*00	[XL], [LEW], Left
	1TF59DX9AC	1	C, F, Z		48			*00	[X9] Without [LEW], Left
	1TF59HL1AC	1	C, F, Z		48			*00	[L9] Without [LEW], Left
		1	C, F, Z		48			*00	[XL] Without [LEW], Left
		1	C, F, Z		48			*00	[L9], Right
8	06032723	1	C, F, Z		48				SCREW, Self Tapping, M4.2x1.69x19.05
9									PLUG, Door

MAGNUM/300/CHARGER (LX)

SERIES LINE
H = HIGHLINE C = CHRYSLER
P = PREMIUM F = EAGLE
S = SPORT

BODY
48 = SEDAN TYPE #8

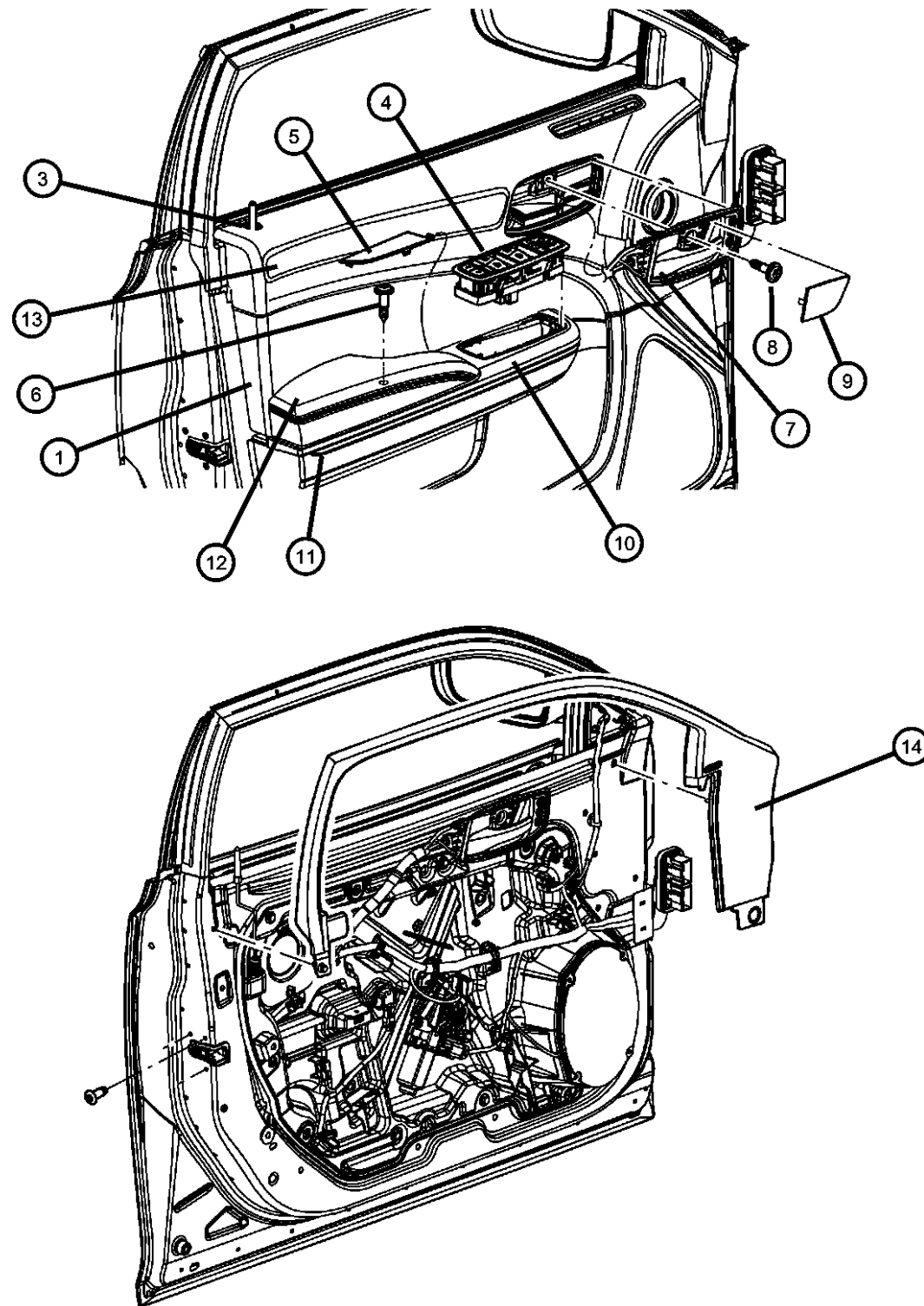
ENGINE
ERB = 3.XL Mid V6 Engine
EZH = 5.7L V8 HEMI MDS
VCT Engine

TRANSMISSION
DGJ = 5-Speed Auto W5A580
Transmission

AR = use ase required - = Non illustrated part

2011 LX

Front Door Trim Panels
Figure 50-405



ITEM	PART NUMBER	QTY	LINE	SERIES	BODY	ENGINE	TRANS	TRIM	DESCRIPTION
	1RJ87DX9AC	1	C, F, Z		48			*O0	[X9], Left
	1RJ87HL1AC	1	C, F, Z		48			*O0	[XL], Left
	1RJ90DX9AC	1	C, F, Z		48			*O0	[X9], Right
	1RJ90HL1AC	1	C, F, Z		48			*O0	[L9], Right
		1	C, F, Z		48			*O0	[XL], Right
		1	C, F, Z		48			*O0	[L9], Left
10									SWITCH PLATE, ARMREST, Door Trim
	68110733AA	1	C, F		48			*O0	Right
	68110734AA	1	C, F		48			*O0	Left
11									STRIP, Door Trim ARMREST, Chrome
	68110746AA	1	C, F		48			*O0	Right
	68110748AA	1	C, F		48			*O0	Left
12									ARMREST, Front Door Trim
	68110744AA	1	C, F		48			*O0	Right
	68110745AA	1	C, F		48			*O0	Left
13									APPLIQUE, Front Door
	68130635AA	1	C, F		48			*O0	[XSM] Without [LBU], Left
	68130638AA	1	C, F		48			*O0	[XSM], [JKD] Without [LBU], Right
	68110794AA	1	C, F		48			*O0	[LBU], Right
	68110795AA	1	C, F		48			*O0	[LBU], Left
	68130627AA	1	C, F		48			*O0	[XSJ] Without [LBU], Right
	68110782AA	1	C, F		48			*O0	[XSJ], [JKD] Without [LEW] And/Or [LBU], Left
14									MOLDING, Door Window Opening
	1RK41DX9AB	1	C, F, Z		48			*O0	Left
	1RK42DX9AB	1	C, F, Z		48			*O0	Right
-15	06509673AA	9	C, F		48			*O0	PIN
-16	68110723AA	1	C, F		48			*O0	PUSH PIN
-17	68110737AA	2	C, F		48			*O0	LOCATOR, Foam Gasket, Door Trim
-18	04608528AC	2	C, F, Z		48				LAMP, Courtesy
-19	L0000562	2	C, F, Z		48				BULB, 562
-20	68110738AA	1	C, F, Z		48			*O0	LAMP, Door, LED, [LBU]

MAGNUM/300/CHARGER (LX)

SERIES LINE
H = HIGHLINE C = CHRYSLER
P = PREMIUM F = EAGLE
S = SPORT

BODY
48 = SEDAN TYPE #8

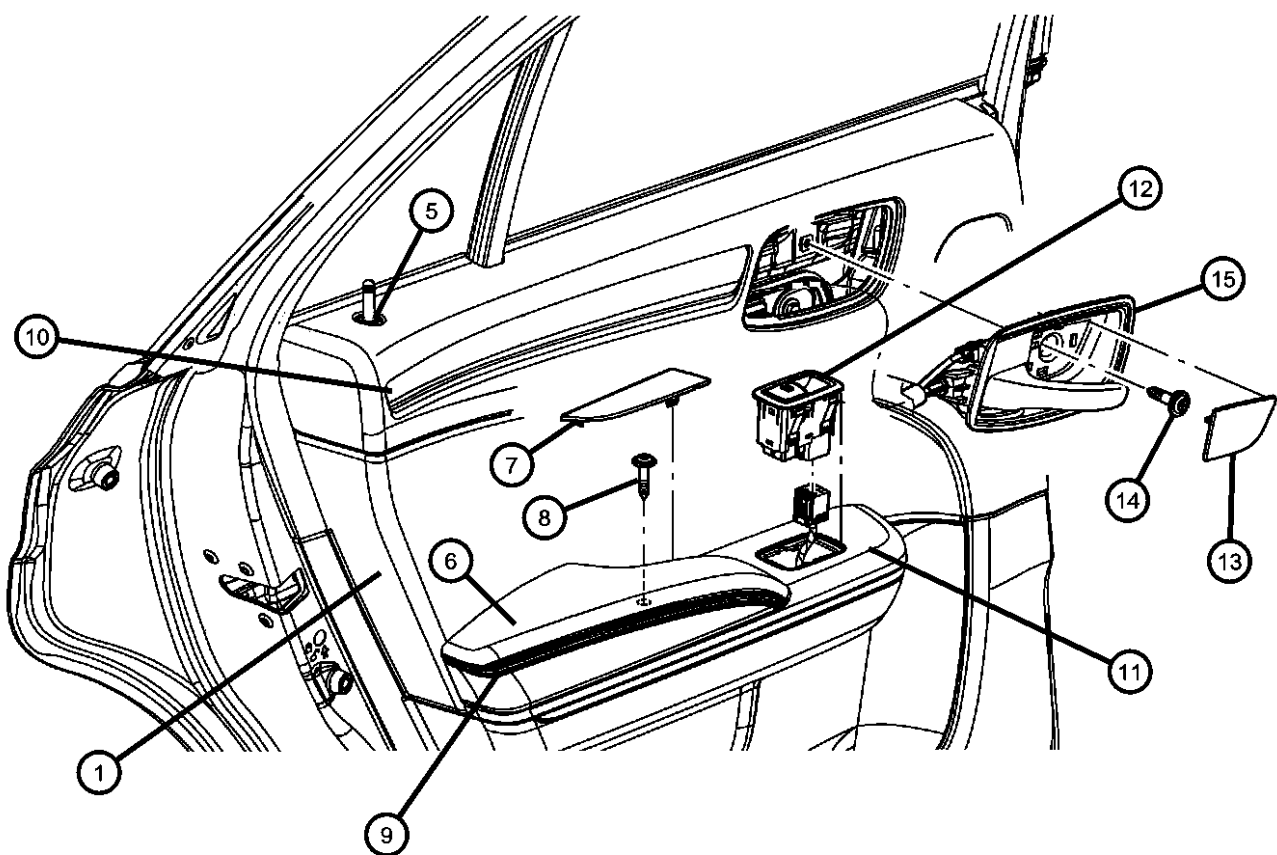
ENGINE
ERB = 3.0L Mid V6 Engine
EZH = 5.7L V8 HEMI MDS
VCT Engine

TRANSMISSION
DGJ = 5-Speed Auto W5A580
Transmission

AR = use ase required - = Non illustrated part

2011 LX

**Rear Door Trim Panels
Figure 50-415**



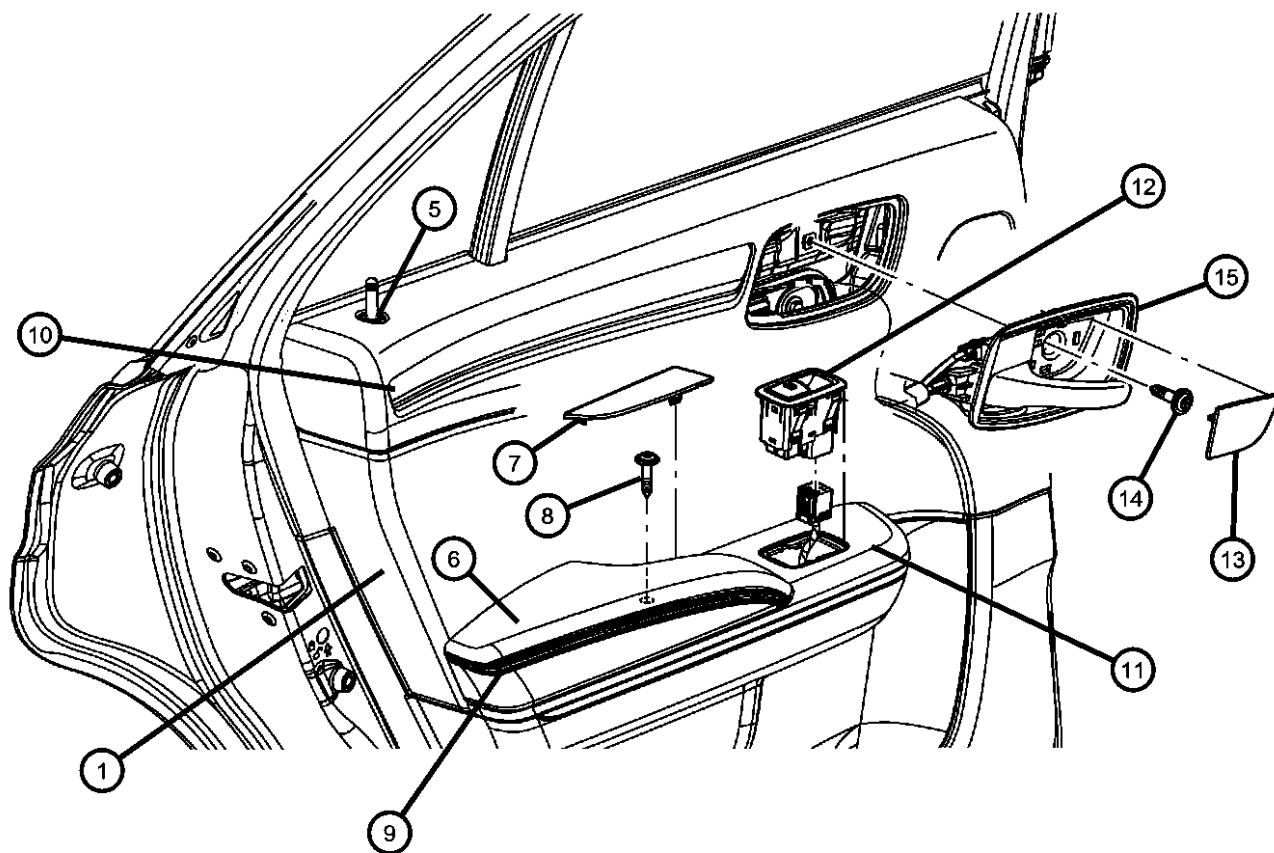
ITEM	PART NUMBER	QTY	LINE	SERIES	BODY	ENGINE	TRANS	TRIM	DESCRIPTION
1									PANEL, Rear Door Trim
	1JR48DX9AE	1	C, F, Z		48			*00	[X9], [XSR], [LBU] Without [RC3], Right
	1JR49DX9AE	1	C, F, Z		48			*00	[X9], [XSR], [LBU] Without [RC3], Left
	1JR52DX9AE	1	C, F		48			*00	[X9], [XSJ] Without [RC3] And/Or [LBU], Right
	1JR53DX9AE	1	C, F		48			*00	[X9], [XSJ] Without [RC3] And/Or [LBU], Left
	1UD441L9AB	1	C, F, Z		48			*00	[L9], [XSN], [LBU], [RC3], Right
	1UD451L9AB	1	C, F, Z		48			*00	[L9], [XSN], [LBU], [RC3], Left
	1UD461L9AB	1	C, F, Z		48			*00	[L9], [XSN], [LBU] Without [RC3], Right
	1JR54DX9AE	1	C, F, Z		48			*00	[X9], [XSR], [RC3], [LBU], Right
	1JR55DX9AE	1	C, F, Z		48			*00	[X9], [XSR], [RC3], [LBU], Left
	1TJ041X9AC	1	C, F, Z		48			*00	[XL], [XSM] Without [RC3] And/Or [LBU], Right
	1TJ051X9AC	1	C, F, Z		48			*00	[XL], [XSM] Without [RC3] And/Or [LBU], Left
	1TZ28DX9AC	1	C, F		48			*00	[X9], [XSJ], [RC3] Without [LBU], Right
	1TZ29DX9AC	1	C, F		48			*00	[X9], [XSJ], [RC3] Without [LBU], Left
	1TZ301X9AC	1	C, F		48			*00	[XL], [XSM], [RC3] Without [LBU], Right
	1TZ311X9AC	1	C, F		48			*00	[XL], [XSM], [RC3] Without [LBU], Left
	1UD471L9AB	1	C, F, Z		48			*00	[L9], [XSN], [LBU] Without [RC3], Left
-2	68110738AA	1	C, F, Z		48			*00	LAMP, Door, LED, [LBU]
-3	04608528AC	2	C, F, Z		48				LAMP, Courtesy, [LDC]
-4	L0000562	2	C, F, Z		48				BULB, 562, [LDC]
5	68110709AA	1	C, F, Z		48			*00	GROMMET, Lock Knob
6									ARMREST, Rear Door Trim
	68110777AA	1	C, F, Z		48			*00	Right
	68110778AA	1	C, F, Z		48			*00	Left
7									PLUG, Armrest
	1SE58DX9AA	1	C, F, Z		48			*00	[X9], Right
	1SE58HL1AA	1	C, F, Z		48			*00	[L9], Right
		1	C, F, Z		48			*00	[XL], Right
	1SE59DX9AA	1	C, F, Z		48			*00	[X9], Left
	1SE59HL1AA	1	C, F, Z		48			*00	[L9], Left
		1	C, F, Z		48			*00	[XL], Left

MAGNUM/300/CHARGER (LX)

SERIES	LINE	BODY	ENGINE	TRANSMISSION
H = HIGHLINE	C = CHRYSLER	48 = SEDAN TYPE #8	ERB = 3.XL Mid V6 Engine	DGJ = 5-Speed Auto W5A580
P = PREMIUM	F = EAGLE		EZH = 5.7L V8 HEMI MDS	Transmission
S = SPORT			VCT Engine	

AR = use ase required - = Non illustrated part

**Rear Door Trim Panels
Figure 50-415**



ITEM	PART NUMBER	QTY	LINE	SERIES	BODY	ENGINE	TRANS	TRIM	DESCRIPTION
8	06509602AA	1	C, F, Z		48				SCREW, M4X1.57X25.00
9									STRIP, Door Trim ARMREST, Chrome
	68110775AA	1	C, F, Z		48			*O0	Right
	68110776AA	1	C, F, Z		48			*O0	Left
10									APPLIQUE, Rear Door
	68110819AA	1	C, F, Z		48			*O0	[LBU], Left
	68110820AA	1	C, F, Z		48			*O0	[LBU], Right
	68110810AA	1	C, F, Z		48			*O0	[XSM] Without [LBU], Right
	68110811AA	1	C, F, Z		48			*O0	[XSM] Without [LBU], Left
	68110807AA	1	C, F		48			*O0	[XSJ] Without [LBU], Right
	68110809AA	1	C, F		48			*O0	[XSJ] Without [LBU], Left
11									SWITCH PLATE, ARMREST, Door Trim
	68110770AA	1	C, F, Z		48			*O0	Right
	68110773AA	1	C, F, Z		48			*O0	Left
12		1							SWITCH, Power Window, See Group 8, (NOT SERVICED)
13									PLUG, Door
	1RJ90HL1AC	1	C, F, Z		48			*O0	[L9], Right
		1	C, F, Z		48			*O0	[XL], Right
	1RJ87HL1AC	1	C, F, Z		48			*O0	[L9], Left
		1	C, F, Z		48			*O0	[XL], Left
	1RJ90DX9AC	1	C, F, Z		48			*O0	[X9], Right
	1RJ87DX9AC	1	C, F, Z		48			*O0	[X9], Left
14	06032723	1	C, F, Z		48				SCREW, Self Tapping, M4.2x1.69x19.05
15									HANDLE, Inside Remote Control
	1TF54DX9AC	1	C, F, Z		48			*O0	[X9], Right
	1TF54HL1AC	1	C, F, Z		48			*O0	[L9], Right
		1	C, F, Z		48			*O0	[XL], Right
	1TF55DX9AC	1	C, F, Z		48			*O0	[X9], Left
	1TF55HL1AC	1	C, F, Z		48			*O0	[L9], Left
		1	C, F, Z		48			*O0	[XL], Left
-16	06509673AA	8	C, F, Z		48			*O0	PIN, M11.0X30.2
-17	68110737AA	2	C, F, Z		48			*O0	LOCATOR, Foam Gasket, Door Trim

MAGNUM/300/CHARGER (LX)

SERIES LINE
H = HIGHLINE C = CHRYSLER
P = PREMIUM F = EAGLE
S = SPORT

BODY
48 = SEDAN TYPE #8

ENGINE
ERB = 3.XL Mid V6 Engine
EZH = 5.7L V8 HEMI MDS VCT Engine

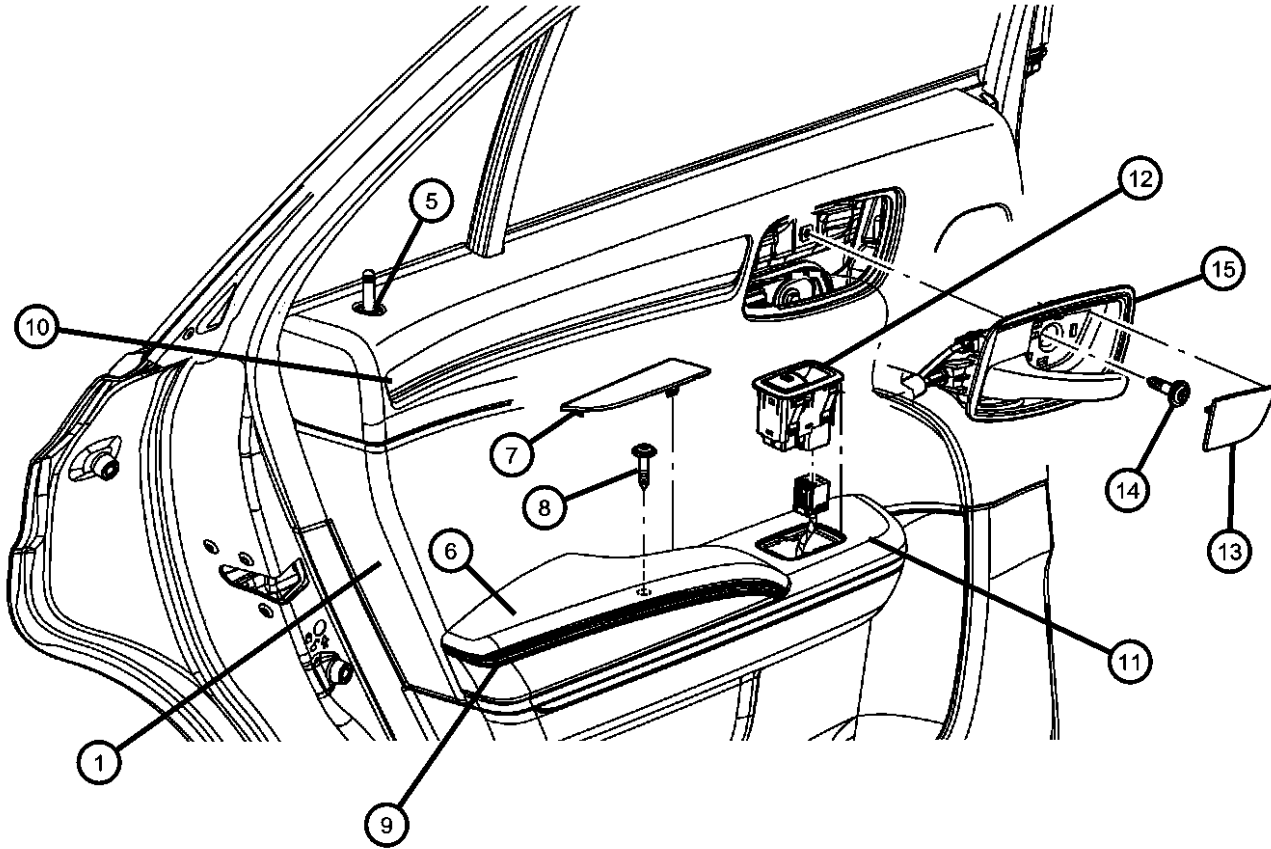
TRANSMISSION
DGJ = 5-Speed Auto W5A580 Transmission

AR = use ase required - = Non illustrated part

2011 LX

Rear Door Trim Panels
Figure 50-415

ITEM	PART NUMBER	QTY	LINE	SERIES	BODY	ENGINE	TRANS	TRIM	DESCRIPTION
-18	68110732AA	5	C, F, Z		48			*00	CLIP, Door Trim
-19	68110731AA	11	C, F, Z		48			*00	SCREW, M4x1.57x16.00



MAGNUM/300/CHARGER (LX)

SERIES LINE
H = HIGHLINE C = CHRYSLER
P = PREMIUM F = EAGLE
S = SPORT

BODY
48 = SEDAN TYPE #8

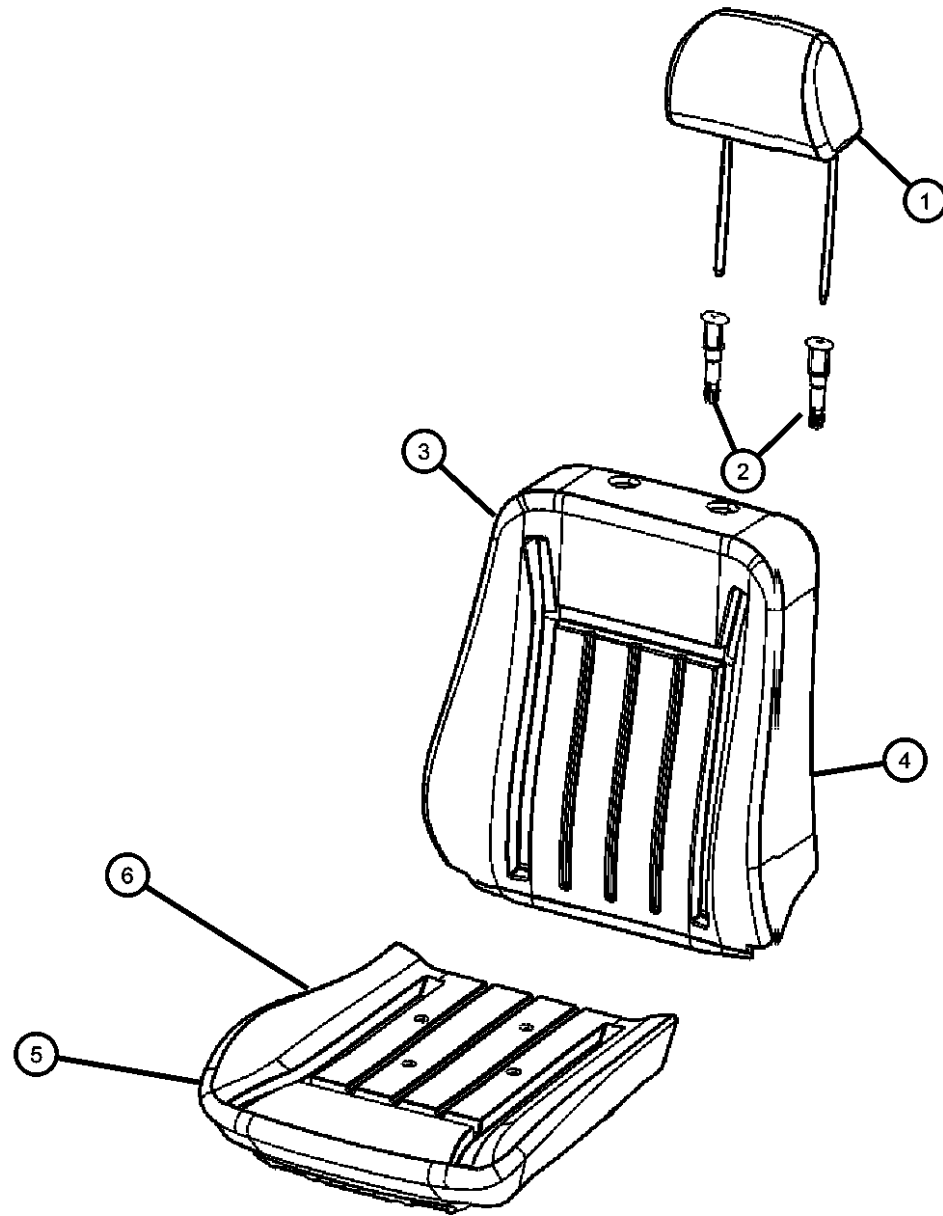
ENGINE
ERB = 3.0L Mid V6 Engine
EZH = 5.7L V8 HEMI MDS
VCT Engine

TRANSMISSION
DGJ = 5-Speed Auto W5A580
Transmission

AR = use ase required - = Non illustrated part

2011 LX

**Front Seat - Bucket -Trim Code [AL]
Figure 50-502**



ITEM	PART NUMBER	QTY	LINE	SERIES	BODY	ENGINE	TRANS	TRIM	DESCRIPTION
1	1VA60DX9AA	1	C, F		48			*AL	HEADREST, Front [L9]
		1	C, F		48			*AL	[X9]
2	1UV38DX9AA	1	C, F		48			*AL	SLEEVE, Headrest [X9], Locking
	1UV38HLLAA	1	C, F		48			*AL	[L9], Locking
	1UV39DX9AA	1	C, F		48			*AL	[X9], Non-Locking
	1UV39HLLAA	1	C, F		48			*AL	[L9], Non-Locking
3	1VA61DX9AA	1	C, F		48			*AL	COVER, Front Seat Back [X9], Left
	1VA61HLLAA	1	C, F		48			*AL	[L9], Left
	1VA64DX9AA	1	C, F		48			*AL	[X9], Right
	1VA64HLLAA	1	C, F		48			*AL	[L9], Right
4	68104697AA	1	C, F		48			*AL	FOAM, Seat Back Left
	68104720AA	1	C, F		48			*AL	Right
5	1VA63DX9AA	1	C, F		48			*AL	COVER, Front Seat Cushion [X9], Left
	1VA63HLLAA	1	C, F		48			*AL	[L9], Left
	1VA66DX9AA	1	C, F		48			*AL	[X9], Right
	1VA66HLLAA	1	C, F		48			*AL	[L9], Right
6	68104701AA	1	C, F		48			*AL	FOAM, Seat Cushion Left
	68104722AA	1	C, F		48			*AL	Right

MAGNUM/300/CHARGER (LX)

SERIES LINE
H = HIGHLINE C = CHRYSLER
P = PREMIUM F = EAGLE
S = SPORT

BODY
48 = SEDAN TYPE #8

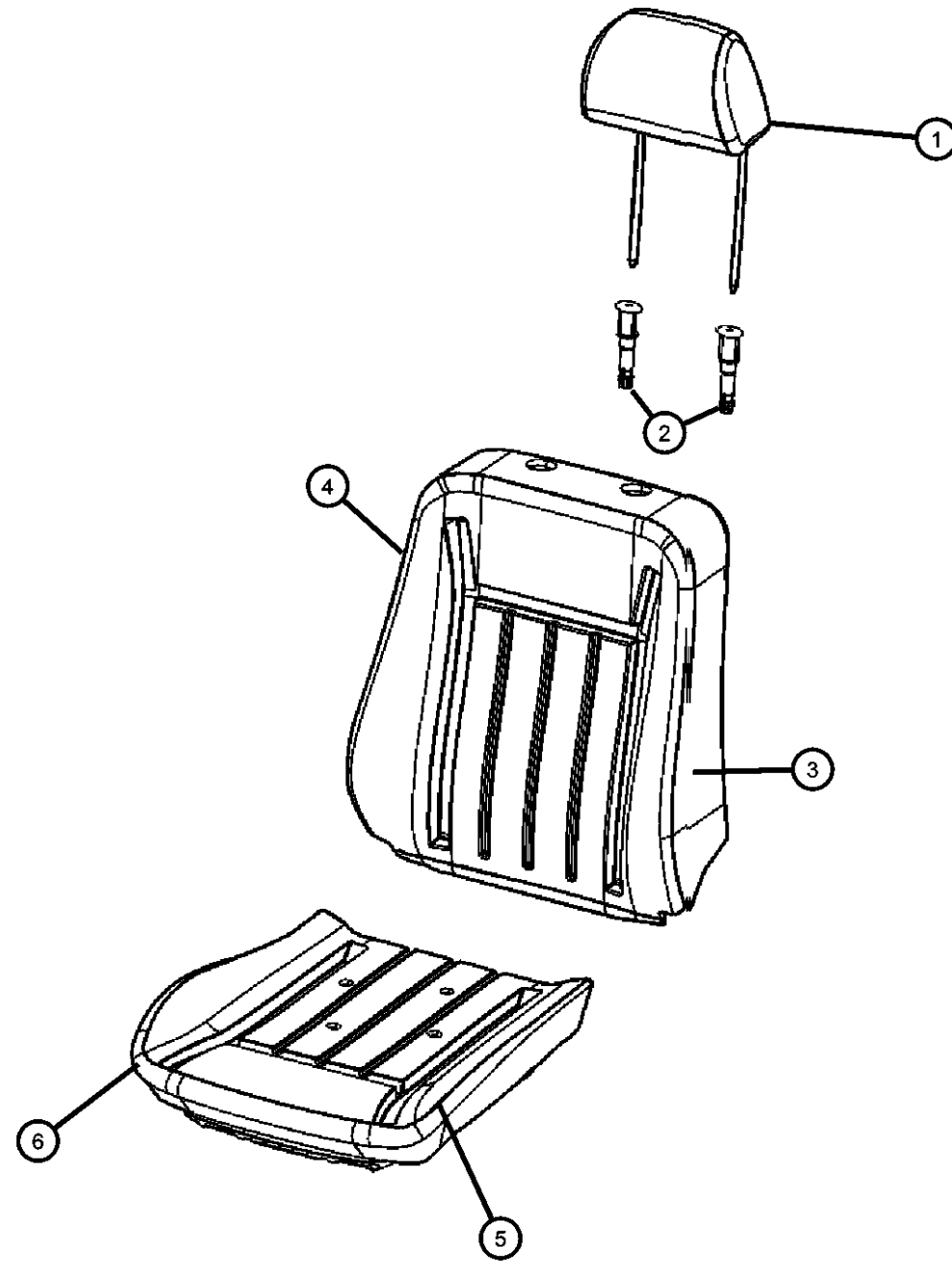
ENGINE
ERB = 3.XL Mid V6 Engine
EZH = 5.7L V8 HEMI MDS
VCT Engine

TRANSMISSION
DGJ = 5-Speed Auto W5A580
Transmission

AR = use ase required - = Non illustrated part

2011 LX

**Front Seat - Bucket -Trim Code [Q5]
Figure 50-515**



ITEM	PART NUMBER	QTY	LINE	SERIES	BODY	ENGINE	TRANS	TRIM	DESCRIPTION
1	1UZ79DX9AA	1	C, F		48			*Q5	HEADREST, Front, [X9]
2	1UV38DX9AA	1	C, F		48			*Q5	SLEEVE, Headrest [X9], Locking
	1UV38HLLAA	1	C, F		48			*Q5	[XL], Locking
	1UV39DX9AA	1	C, F		48			*Q5	[X9], Non-Locking
	1UV39HLLAA	1	C, F		48			*Q5	[XL], Non-Locking
3	1UZ81DX9AA	1	C, F		48			*Q5	COVER, Front Seat Back [X9], Left
	1UZ92DX9AA	1	C, F		48			*Q5	[X9], Right
4	68104490AA	1	C, F		48			*Q5	FOAM, Seat Back Right
	68104553AA	1	C, F		48			*Q5	Left
5	1UC35DX9AA	1	C, F		48			*Q5	COVER, Front Seat Cushion [X9], Right
	1UZ93DX9AA	1	C, F		48			*Q5	[X9], Left
6	68104552AA	1	C, F		48			*Q5	FOAM, Seat CushionRight

MAGNUM/300/CHARGER (LX)

SERIES LINE
H = HIGHLINE C = CHRYSLER
P = PREMIUM F = EAGLE
S = SPORT

BODY
48 = SEDAN TYPE #8

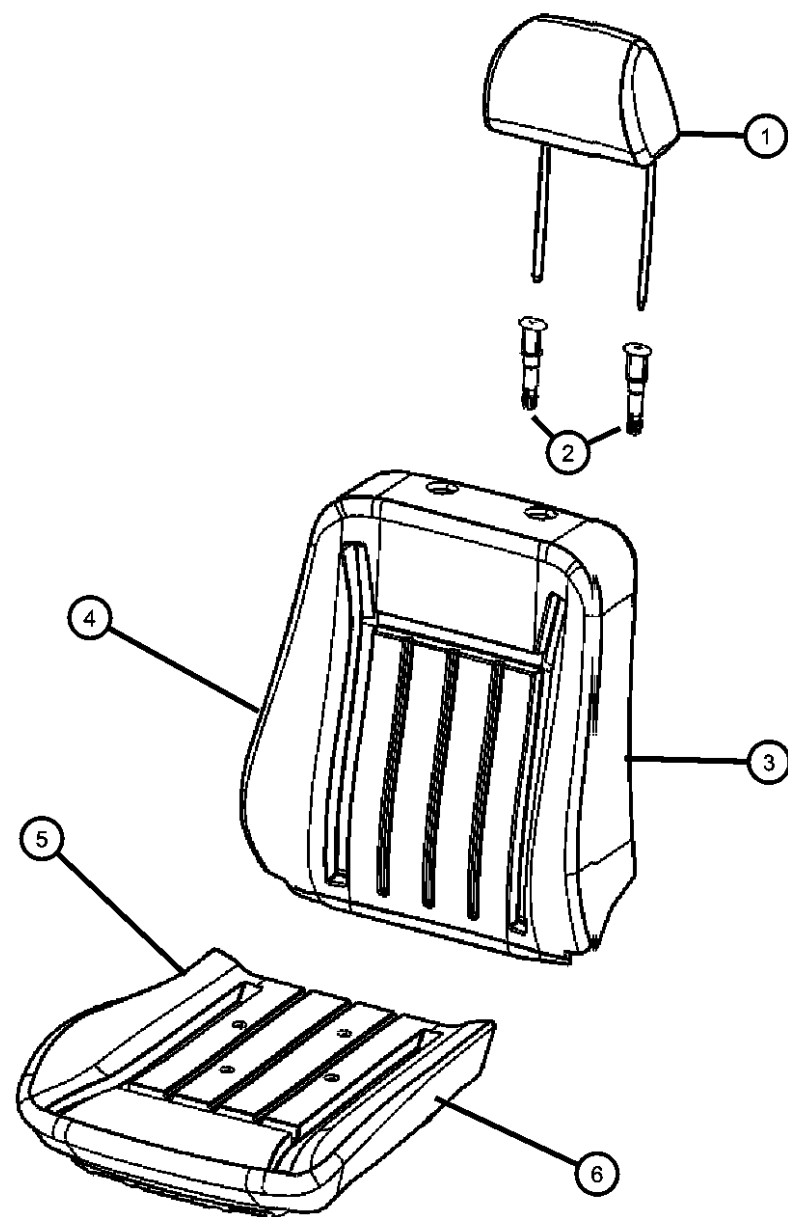
ENGINE
ERB = 3.XL Mid V6 Engine
EZH = 5.7L V8 HEMI MDS
VCT Engine

TRANSMISSION
DGJ = 5-Speed Auto W5A580
Transmission

AR = use ase required - = Non illustrated part

2011 LX

**Front Seat - Bucket -Trim Code [TL]
Figure 50-516**



ITEM	PART NUMBER	QTY	LINE	SERIES	BODY	ENGINE	TRANS	TRIM	DESCRIPTION
1	1VA60DX9AA	1	C, F		48			*TL	HEADREST, Front [X9], [JPR]
		1	C, F		48			*TL	[X9], [JPT]
2	1UV38HLLAA	1	C, F		48			*TL	SLEEVE, Headrest [XL], [JPT], Locking
	1UV39DX9AA	1	C, F		48			*TL	[X9], [JPR], Non-Locking
		1	C, F		48			*TL	[X9], [JPT], Non-Locking
	1UV39HLLAA	1	C, F		48			*TL	[XL], [JPR], Non-Locking
		1	C, F		48			*TL	[XL], [JPT], Non-Locking
	1UV38DX9AA	1	C, F		48			*TL	[X9], [JPT], Locking
3	1VA47DX9AA	1	C, F		48			*TL	COVER, Seat Back [X9], [JPT], Left
		1	C, F		48			*TL	[X9], [JPT], Right
	1VA46DX9AA	1	C, F		48			*TL	[X9], [JPR], Right
		1	C, F		48			*TL	[X9], [JPR], Left
4	68104490AA	1	C, F		48			*TL	FOAM, Seat Back [JPR], Right
		1	C, F		48			*TL	[JPR], Left
	1	C, F		48			*TL	[JPT], Left	
5	1VA44DX9AA	1	C, F		48			*TL	COVER, Front Seat Cushion [X9], [JPR], Right
		1	C, F		48			*TL	[X9], [JPT], Right
	1VA45DX9AA	1	C, F		48			*TL	[X9], [JPR], Left
		1	C, F		48			*TL	[X9], [JPT], Left
6	68104552AA	1	C, F		48			*TL	FOAM, Seat Cushion [JPR]
		1	C, F		48			*TL	[JPT]

MAGNUM/300/CHARGER (LX)

SERIES LINE
H = HIGHLINE C = CHRYSLER
P = PREMIUM F = EAGLE
S = SPORT

BODY
48 = SEDAN TYPE #8

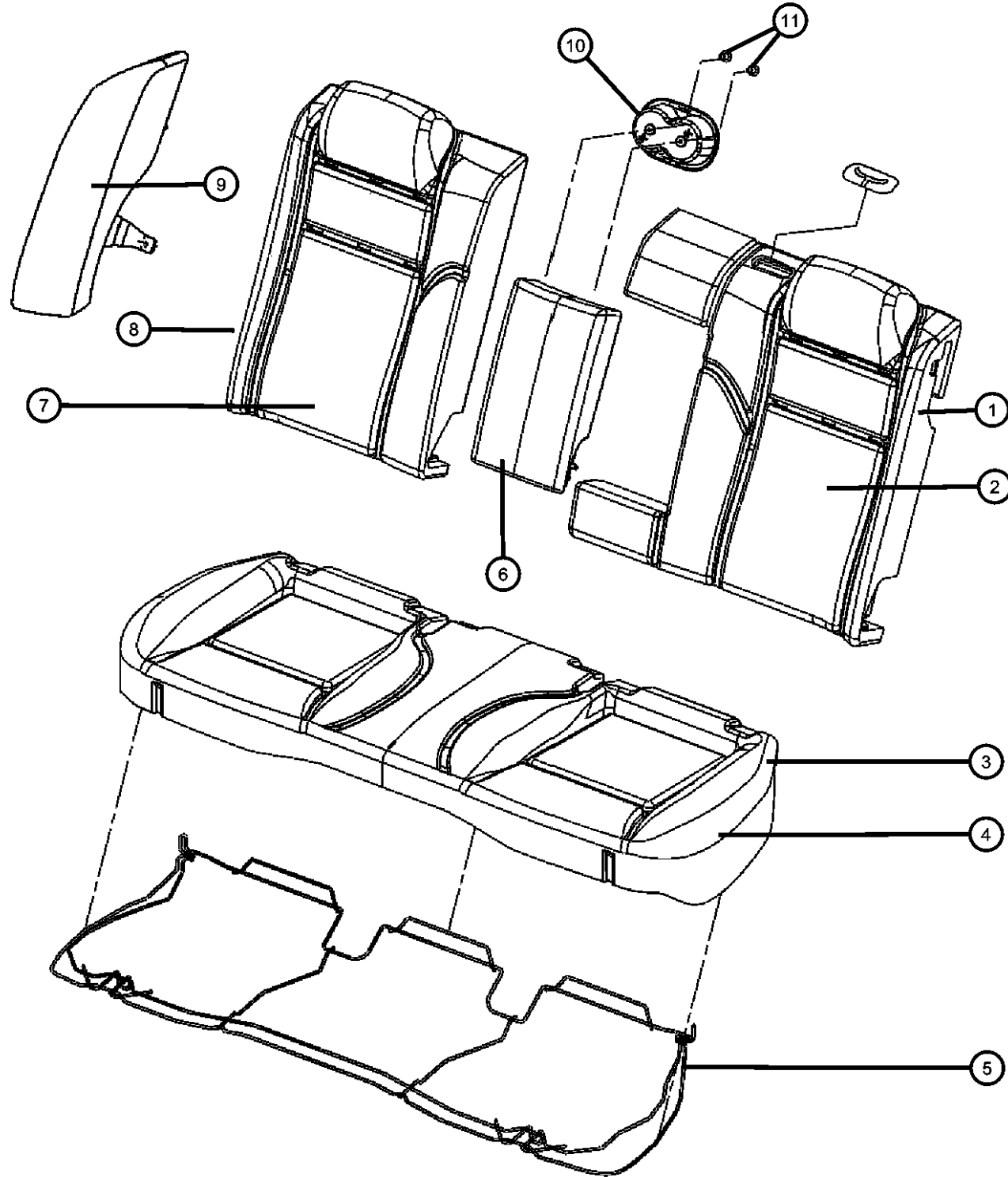
ENGINE
ERB = 3.XL Mid V6 Engine
EZH = 5.7L V8 HEMI MDS
VCT Engine

TRANSMISSION
DGJ = 5-Speed Auto W5A580
Transmission

AR = use ase required - = Non illustrated part

2011 LX

Rear Seat - 60/40 - Trim Code [AL]
Figure 50-640



ITEM	PART NUMBER	QTY	LINE	SERIES	BODY	ENGINE	TRANS	TRIM	DESCRIPTION
1	68104601AA	1	C, F		48			*AL	FOAM, Seat Back, Left
2									COVER, Rear Seat Back, Left
	1VA89DX9AA	1	C, F		48			*AL	[X9]
	1VA89HLLAA	1	C, F		48			*AL	[XL]
3	68104602AA	1	C, F		48			*AL	FOAM, Seat Cushion
4									COVER, Rear Seat Cushion
	1VA91DX9AA	1	C, F		48			*AL	[X9]
	1VA91HLLAA	1	C, F		48			*AL	[L9]
5	68104420AA	1	C, F		48			*AL	FRAME, Rear Seat Cushion
6									ARMREST, Rear Seat Center
	1VA57DX9AA	1	C, F		48			*AL	[X9]
	1VA57HL1AA	1	C, F		48			*AL	[XL]
7									COVER, Rear Seat Back, Right
	1VA90DX9AA	1	C, F		48			*AL	[X9]
	1VA90HLLAA	1	C, F		48			*AL	[XL]
8	68104600AA	1	C, F		48			*AL	FOAM, Seat Back, Right
9									BOLSTER, Seat
	1QU63DX9AD	1	C, F		48			*AL	[X9], Left
	1QU63HL1AD	1	C, F		48			*AL	[XL], Left
	1QT64DX9AD	1	C, F		48			*AL	[X9], Right
	1QT64HL1AD	1	C, F		48			*AL	[XL], Right
10		1							CUP HOLDER, Rear Seat, Serviced with the arm rest, (NOT SERVICED),
11		1							SCREW, Trim, (NOT SERVICED)
-12		1							RETAINER, Arm Rest, (NOT SERVICED)

MAGNUM/300/CHARGER (LX)

SERIES LINE
H = HIGHLINE C = CHRYSLER
P = PREMIUM F = EAGLE
S = SPORT

BODY
48 = SEDAN TYPE #8

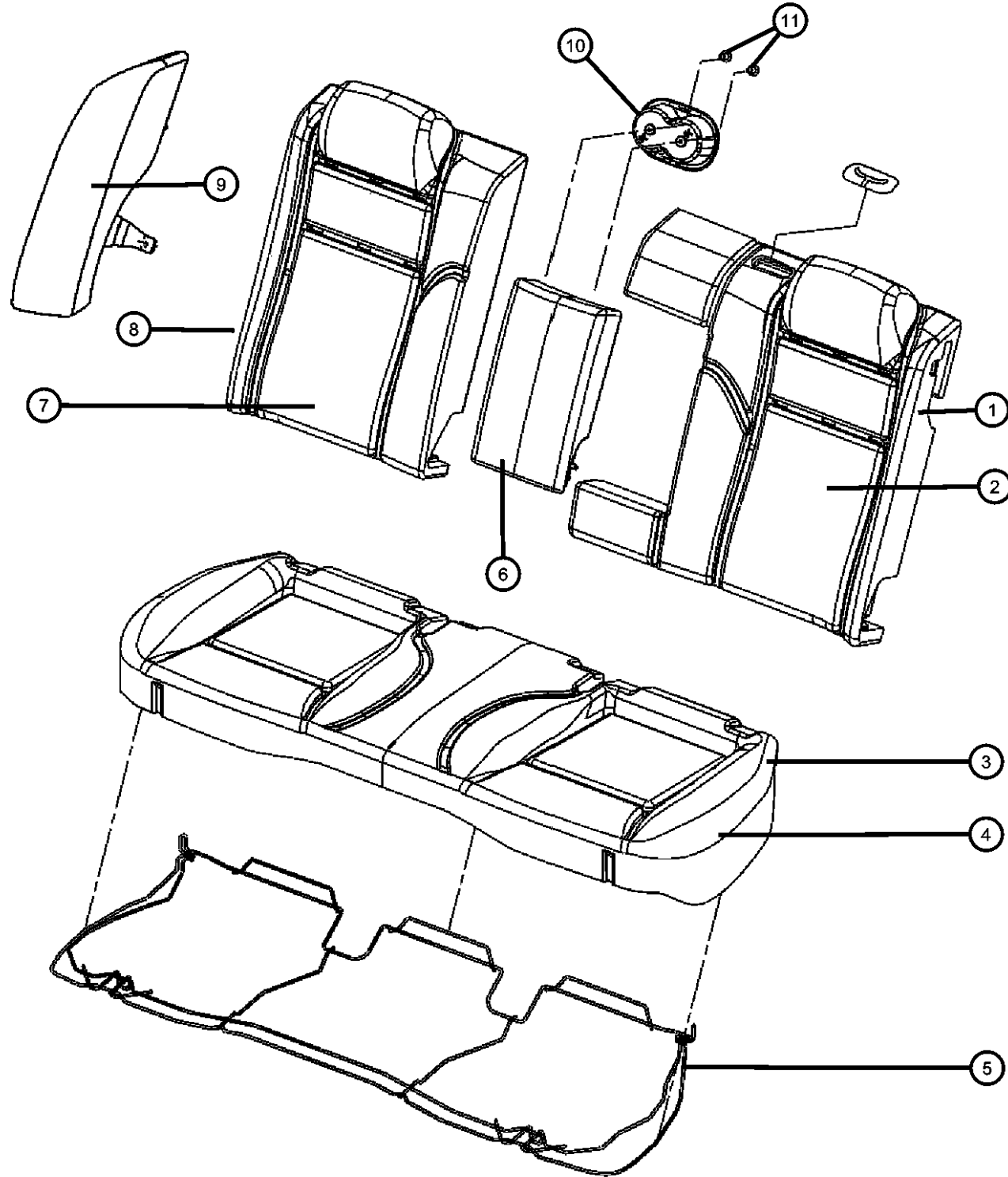
ENGINE
ERB = 3.XL Mid V6 Engine
EZH = 5.7L V8 HEMI MDS
VCT Engine

TRANSMISSION
DGJ = 5-Speed Auto W5A580
Transmission

AR = use ase required - = Non illustrated part

2011 LX

Rear Seat - 60/40 - Trim Code [Q5]
Figure 50-651



ITEM	PART NUMBER	QTY	LINE	SERIES	BODY	ENGINE	TRANS	TRIM	DESCRIPTION
1	68104601AA	1	C, F		48			*Q5	FOAM, Seat Back, Left
2	1VA37DX9AA	1	C, F		48			*Q5	COVER, Rear Seat Back, Left, [X9]
3	68104602AA	1	C, F		48			*Q5	FOAM, Seat Cushion
4									COVER, Rear Seat Cushion
	1VA38DX9AA	1	C, F		48			*Q5	[X9]
	1VA38HLLAA	1	C, F		48			*Q5	[XL]
5	68104420AA	1	C, F		48			*Q5	FRAME, Rear Seat Cushion
6									ARMREST, Rear Seat Center
	1UT75DX9AA	1	C, F		48			*Q5	[X9]
	1UT75HL1AA	1	C, F		48			*Q5	[XL]
7	1VA36DX9AA	1	C, F		48			*Q5	COVER, Rear Seat Back, Right, [X9]
8	68104600AA	1	C, F		48			*Q5	FOAM, Seat Back, Right
9									BOLSTER, Seat
	1QR63DX9AD	1	C, F		48			*Q5	[X9], Left
	1QR63HL1AD	1	C, F		48			*Q5	[XL], Left
	1QR64DX9AD	1	C, F		48			*Q5	[X9], Right
	1QR64HL1AD	1	C, F		48			*Q5	[XL], Right
10		1							CUP HOLDER, Rear Seat, Serviced with the arm rest, (NOT SERVICED),
11		1							SCREW, Trim, (NOT SERVICED)
-12		1							RETAINER, Arm Rest, (NOT SERVICED)

MAGNUM/300/CHARGER (LX)

SERIES LINE
H = HIGHLINE C = CHRYSLER
P = PREMIUM F = EAGLE
S = SPORT

BODY
48 = SEDAN TYPE #8

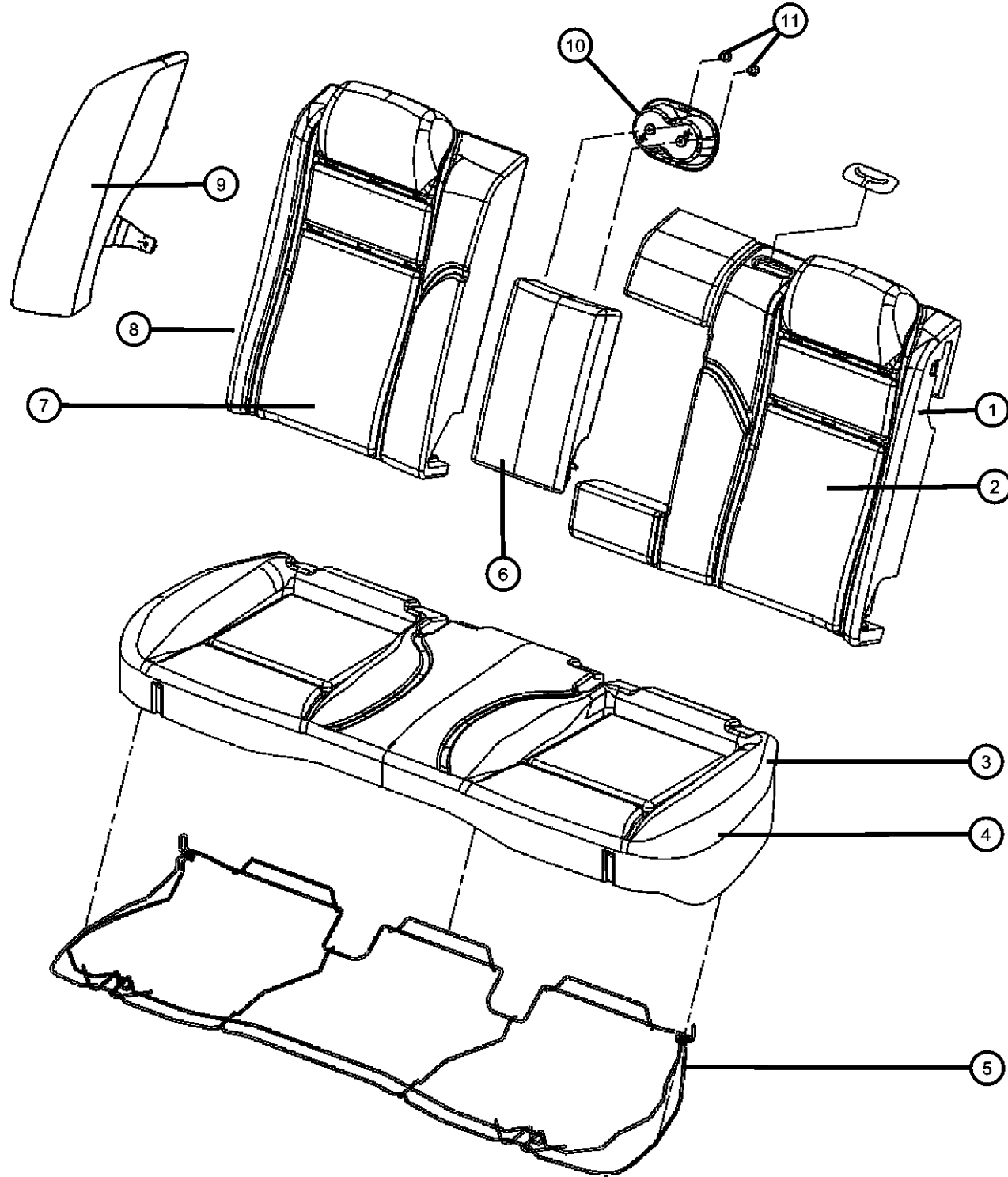
ENGINE
ERB = 3.XL Mid V6 Engine
EZH = 5.7L V8 HEMI MDS
VCT Engine

TRANSMISSION
DGJ = 5-Speed Auto W5A580
Transmission

AR = use ase required - = Non illustrated part

2011 LX

Rear Seat - 60/40 - Trim Code [TL]
Figure 50-652



ITEM	PART NUMBER	QTY	LINE	SERIES	BODY	ENGINE	TRANS	TRIM	DESCRIPTION
1	68104601AA	1	C, F		48			*TL	FOAM, Seat Back, Left [JPR]
		1	C, F		48			*TL	[JPT]
2	1VA47DX9AA	1	C, F		48			*TL	COVER, Rear Seat Back, Left [X9], [JPR]
		1	C, F		48			*TL	[X9], [JPT]
3	68104602AA	1	C, F		48			*TL	FOAM, Seat Cushion [JPR]
		1	C, F		48			*TL	[JPT]
4	1VA52HLLAA	1	C, F		48			*TL	COVER, Rear Seat Cushion [LL], [JPR]
		1	C, F		48			*TL	[LL], [JPT]
	1VA52DX9AA	1	C, F		48			*TL	[X9], [JPR]
		1	C, F		48			*TL	[X9], [JPT]
5	68104420AA	1	C, F		48			*TL	FRAME, Rear Seat Cushion
6	1VA57DX9AA	1	C, F		48			*TL	ARMREST, Rear Seat Center [X9], [JPR]
		1	C, F		48			*TL	[X9], [JPT]
	1VA57HL1AA	1	C, F		48			*TL	[LL], [JPR]
		1	C, F		48			*TL	[LL], [JPT]
7	1VA46DX9AA	1	C, F		48			*TL	COVER, Rear Seat Back, Right [X9], [JPR]
		1	C, F		48			*TL	[X9], [JPT]
8	68104600AA	1	C, F		48			*TL	FOAM, Seat Back, Right [JPR]
		1	C, F		48			*TL	[JPT]
9	1QU63DX9AD	1	C, F		48			*TL	BOLSTER, Seat [X9], Left
	1QU63HL1AD	1	C, F		48			*TL	[XL], Left
	1QU64DX9AD	1	C, F		48			*TL	[X9], Right
	1QU64HL1AD	1	C, F		48			*TL	[XL], Right
10		1							CUP HOLDER, Rear Seat, Serviced with the arm rest, (NOT SERVICED),
11		1							SCREW, Trim, (NOT SERVICED)
-12		1							RETAINER, Arm Rest, (NOT SERVICED)

MAGNUM/300/CHARGER (LX)

SERIES LINE
H = HIGHLINE C = CHRYSLER
P = PREMIUM F = EAGLE
S = SPORT

BODY
48 = SEDAN TYPE #8

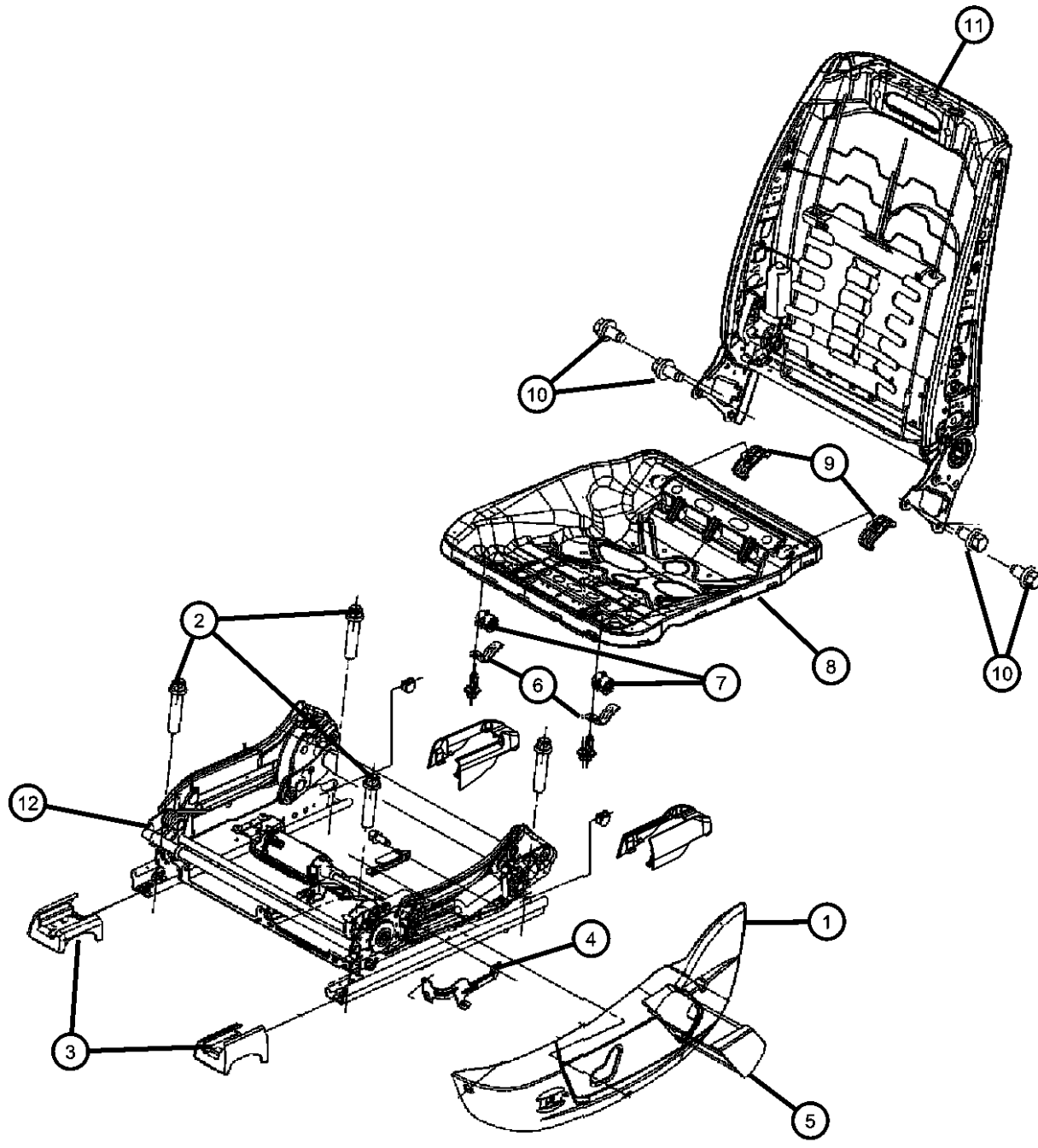
ENGINE
ERB = 3.XL Mid V6 Engine
EZH = 5.7L V8 HEMI MDS
VCT Engine

TRANSMISSION
DGJ = 5-Speed Auto W5A580
Transmission

AR = use ase required - = Non illustrated part

2011 LX

Adjusters , Recliners, and Shields - Driver Seat - Power
Figure 50-905

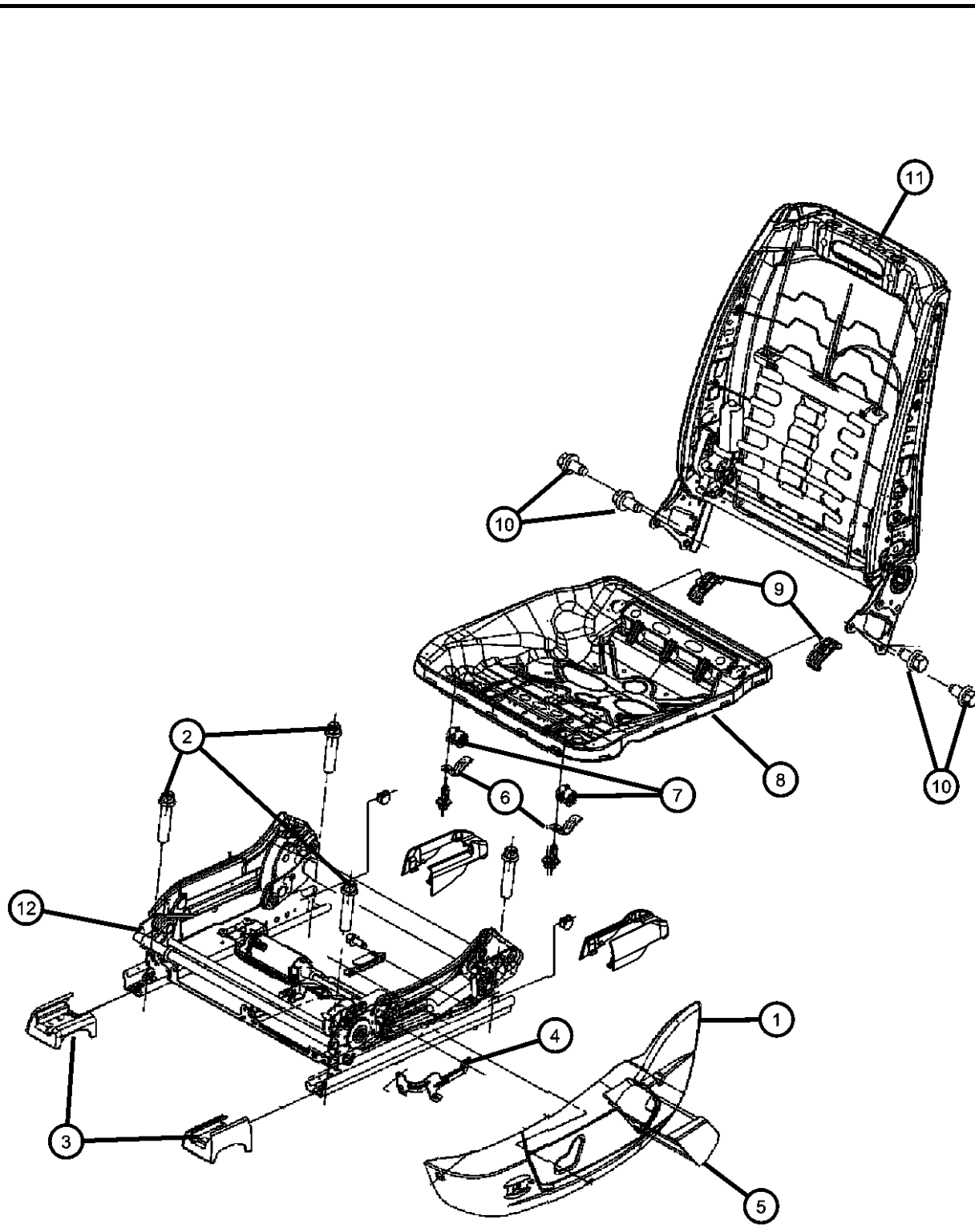


ITEM	PART NUMBER	QTY	LINE	SERIES	BODY	ENGINE	TRANS	TRIM	DESCRIPTION
1	1UY33DX9AA	1	C, F		48			*Q5	SHIELD, Seat Adjuster [X9]
		1	C, F		48			*TL	[X9], [JPR]
		1	C, F		48			*TL	[X9], [JPT]
	1UY33HL1AA	1	C, F		48			*Q5	[XL]
		1	C, F		48			*TL	[XL], [JPR]
		1	C, F		48			*TL	[XL], [JPT]
	1UZ63DX9AA	1	C, F		48			*AL	[X9]
	1UZ63HL1AA	1	C, F		48			*AL	[L9]
2	06507594AA	8	C, Z		48				SCREW, Hex Head
3									COVER, Track
	1UV50DX9AA	2	C, F		48			*Q5	[X9], Rear
		2	C, F		48			*TL	[X9], [JPR], Rear
		2	C, F		48			*TL	[X9], [JPT], Rear
		2	C, F		48			*AL	[X9], Rear
	1UV50HL1AA	2	C, F		48			*Q5	[XL], Rear
		2	C, F		48			*TL	[XL], [JPR], Rear
		2	C, F		48			*TL	[XL], [JPT], Rear
	1UV51DX9AA	2	C, F		48			*Q5	[X9], Front
		2	C, F		48			*TL	[X9], [JPR], Front
		2	C, F		48			*TL	[X9], [JPT], Front
		2	C, F		48			*AL	[X9], Front
	1UV51HL1AA	2	C, F		48			*Q5	[XL], Front
		2	C, F		48			*TL	[XL], [JPR], Front
		2	C, F		48			*TL	[XL], [JPT], Front
		2	C, F		48			*AL	[L9], Front
	2	C, F		48			*AL	[L9], Rear	
4		2							BRACKET, Seat, (NOT SERVICED),
5		2							COVER, Close-Out, (NOT SERVICED)
6		2							CLAMP, Seat, Only Serviced With Adjuster, (NOT SERVICED)
7		2							SPACER, Hinge, Only Serviced With Adjuster, (NOT SERVICED)
8		2							FRAME, Front Seat Cushion, Only Serviced With Adjuster, (NOT SERVICED)

MAGNUM/300/CHARGER (LX)
 SERIES LINE BODY ENGINE TRANSMISSION
 H = HIGHLINE C = CHRYSLER 48 = SEDAN TYPE #8 ERB = 3.XL Mid V6 Engine DGJ = 5-Speed Auto W5A580
 P = PREMIUM F = EAGLE EZH = 5.7L V8 HEMI MDS Transmission
 S = SPORT VCT Engine

AR = use ase required - = Non illustrated part

Adjusters , Recliners, and Shields - Driver Seat - Power
Figure 50-905



ITEM	PART NUMBER	QTY	LINE	SERIES	BODY	ENGINE	TRANS	TRIM	DESCRIPTION
9		2							BUMPER PAD, Seat Cushion, Only Serviced With Adjuster, (NOT SERVICED)
10	68104960AA	4	C, F		48			*AL	BOLT, Seat
		4	C, F		48			*Q5	
		4	C, F		48			*TL [JPR]	
		4	C, F		48			*TL [JPT]	
11									FRAME, Front Seat Back
	68104427AA	1	C, F		48			*AL	
		1	C, F		48			*Q5	
		1	C, F		48			*TL [JPR]	
		1	C, F		48			*TL [JPT]	
12									ADJUSTER, Power Seat
	68102129AA	1	C, F		48			*Q5	
		1	C, F		48			*TL [JPR]	
		1	C, F		48			*TL [JPT]	
	68104695AA	1	C, F		48			*AL	

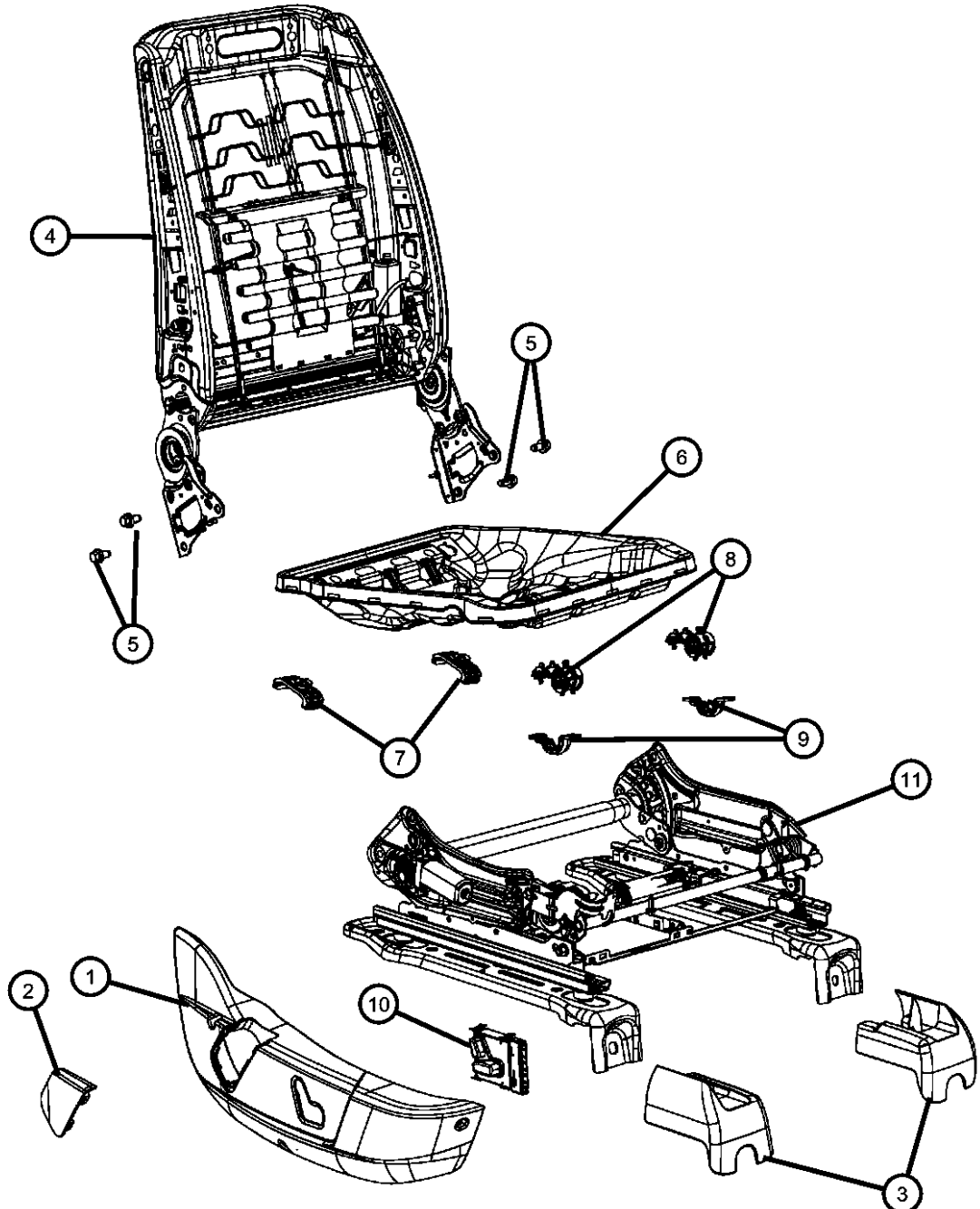
MAGNUM/300/CHARGER (LX)

SERIES	LINE	BODY	ENGINE	TRANSMISSION
H = HIGHLINE	C = CHRYSLER	48 = SEDAN TYPE #8	ERB = 3.XL Mid V6 Engine	DGJ = 5-Speed Auto W5A580
P = PREMIUM	F = EAGLE		EZH = 5.7L V8 HEMI MDS	Transmission
S = SPORT			VCT Engine	

AR = use ase required - = Non illustrated part

Adjusters, Recliners, and Shields - Passenger Seat - Power
Figure 50-915

ITEM	PART NUMBER	QTY	LINE	SERIES	BODY	ENGINE	TRANS	TRIM	DESCRIPTION
1	1UZ62DX9AA	1	C, F		48			*TL	SHIELD, Seat Adjuster [X9]
		1	C, F		48			*AL	[X9]
	1UZ62HL1AA	1	C, F		48			*TL	[XL]
		1	C, F		48			*AL	[L9]
2		1						COVER, Close-Out, (NOT SERVICED),	
3	1UV51DX9AA	2	C, F		48			*AL	COVER, Track [X9], Front
		2	C, F		48			*TL	[XL], Front
	1UV51HL1AA	2	C, F		48			*AL	[L9], Front
		2	C, F		48			*TL	[X9], Rear
	1UV50DX9AA	2	C, F		48			*AL	[L9], Rear
		2	C, F		48			*TL	[X9], Front
	1UV50HL1AA	2	C, F		48			*AL	[X9], Rear
		2	C, F		48			*TL	[XL], Rear
	4	68104489AA	1	C, F		48		*AL	FRAME, Front Seat Back
	5	68104960AA	4	C, F		48			*TL
4			C, F		48			*AL	
4									
6		4						FRAME, Front Seat Cushion, Only Serviced With Adjuster, (NOT SERVICED)	
7		4						BUMPER PAD, Seat Cushion, Only Serviced With Adjuster, (NOT SERVICED)	
8		4						SPACER, Hinge, Only Serviced With Adjuster, (NOT SERVICED)	
9		4						CLAMP, Seat, Only Serviced With Adjuster, (NOT SERVICED)	
10		4						SWITCH, Seat, See Group 8 , Switches, (NOT SERVICED)	
11	68104430AA	1	C, F		48			*TL	ADJUSTER, Power Seat
		1	C, F		48			*AL	
		1							



MAGNUM/300/CHARGER (LX)

SERIES LINE
H = HIGHLINE C = CHRYSLER
P = PREMIUM F = EAGLE
S = SPORT

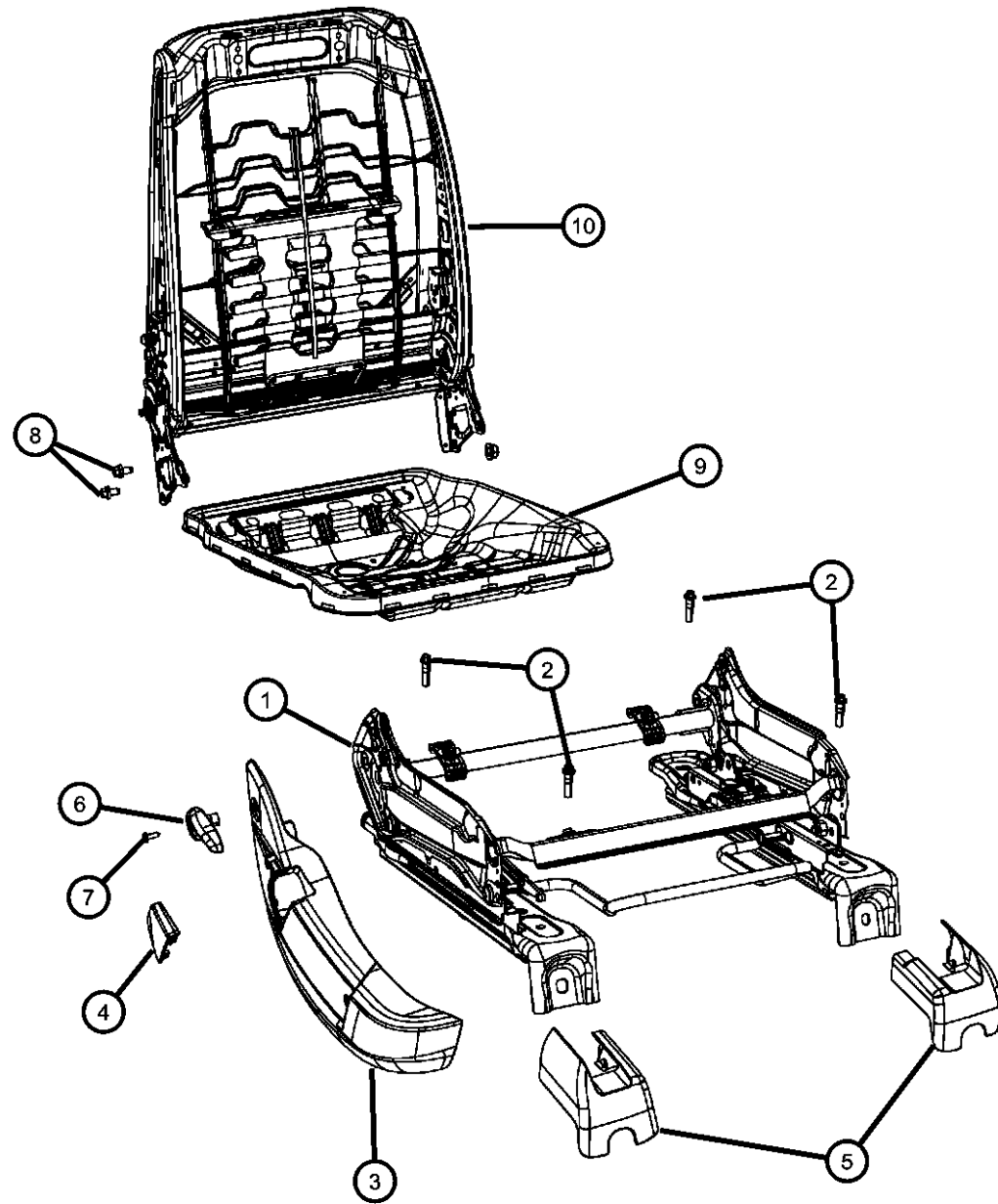
BODY
48 = SEDAN TYPE #8

ENGINE
ERB = 3.XL Mid V6 Engine
EZH = 5.7L V8 HEMI MDS
VCT Engine

TRANSMISSION
DGJ = 5-Speed Auto W5A580
Transmission

AR = use ase required - = Non illustrated part

Adjusters, Recliners, and Shields - Passenger Seat - Manual
Figure 50-920



ITEM	PART NUMBER	QTY	LINE	SERIES	BODY	ENGINE	TRANS	TRIM	DESCRIPTION
1	68103702AA	1	C, F		48			*Q5	ADJUSTER, Manual Seat
		1	C, F		48			*TL	
2	06507594AA	8	C, Z		48				SCREW, Hex Head
3	1UY08HL1AA	1	C, F		48			*Q5	SHIELD, Seat
		1	C, F		48			*TL	[XL]
	1UY08DX9AA	1	C, F		48			*Q5	[X9]
		1	C, F		48			*TL	[X9]
4		1							COVER, Close-Out, (NOT SERVICED),
5									COVER, Track
	1UV50DX9AA	2	C, F		48			*TL	[X9], Rear
		2	C, F		48			*Q5	[X9], Rear
	1UV51DX9AA	2	C, F		48			*Q5	[X9], Front
		2	C, F		48			*TL	[X9], Front
	1UV51HL1AA	2	C, F		48			*Q5	[XL], Front
		2	C, F		48			*TL	[XL], Front
	1UV50HL1AA	2	C, F		48			*TL	[XL], Rear
		2	C, F		48			*Q5	[XL], Rear
6									HANDLE, Recliner
	1UV72HL1AA	1	C, F		48			*TL	[XL]
	1UV72DX9AA	1	C, F		48			*TL	[X9]
		1	C, F		48			*Q5	[XL]
		1	C, F		48			*Q5	[X9]
7		1							SCREW, (NOT SERVICED),
8									BOLT, Seat
	68104960AA	4	C, F		48			*Q5	
		4	C, F		48			*TL	
9	68110320AA	1	C, F		48			*TL	FRAME, Front Seat Cushion
10									FRAME, Front Seat Back
	68103696AA	1	C, F		48			*TL	
		1	C, F		48			*Q5	

MAGNUM/300/CHARGER (LX)

SERIES LINE
H = HIGHLINE C = CHRYSLER
P = PREMIUM F = EAGLE
S = SPORT

BODY
48 = SEDAN TYPE #8

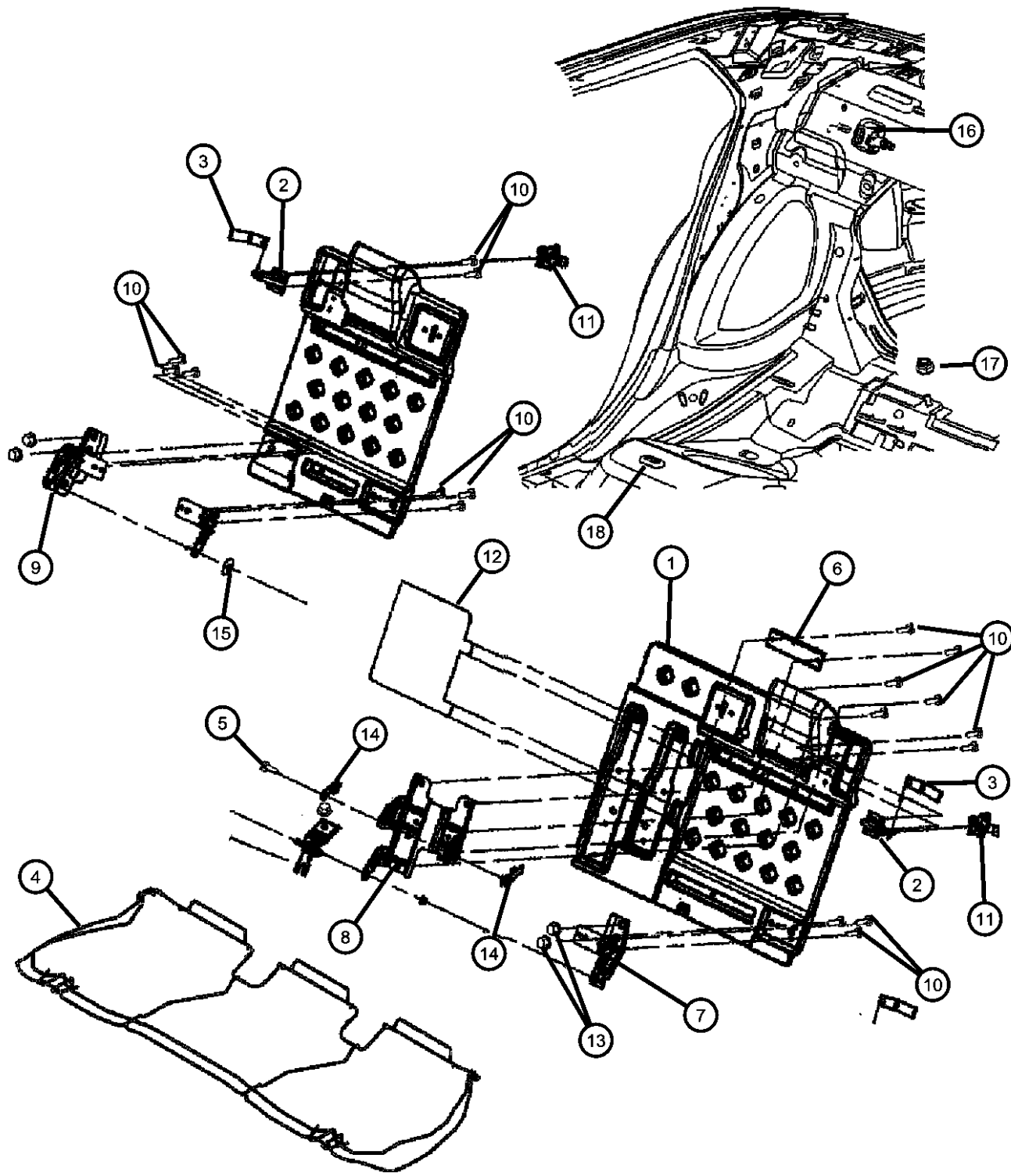
ENGINE
ERB = 3.XL Mid V6 Engine
EZH = 5.7L V8 HEMI MDS
VCT Engine

TRANSMISSION
DGJ = 5-Speed Auto W5A580
Transmission

AR = use ase required - = Non illustrated part

2011 LX

**Second Row - 60/40 Split Seat Back
Figure 50-1030**



ITEM	PART NUMBER	QTY	LINE	SERIES	BODY	ENGINE	TRANS	TRIM	DESCRIPTION
1									PANEL, Rear Seat Back
	68104423AA	1	C, F		48			*AL	Left
		1	C, F		48			*Q5	Left
		1	C, F		48			*TL	[JPR], Left
		1	C, F		48			*TL	[JPT], Left
	68104422AA	1	C, F		48			*AL	Right
		1	C, F		48			*Q5	Right
		1	C, F		48			*TL	[JPR], Right
		1	C, F		48			*TL	[JPT], Right
2									LATCH, SEAT BACK
	68104424AA	2	C, F		48			*AL	
		2	C, F		48			*Q5	
		2	C, F		48			*TL	[JPR]
		2	C, F		48			*TL	[JPT]
3		2							STRAP, Only Serviced With Seat Back Latch, (NOT SERVICED),
4									FRAME, Rear Seat Cushion
	68104420AA	1	C, F		48			*AL	Right
		1	C, F		48			*Q5	Right
		1	C, F		48			*TL	[JPR], Right
		1	C, F		48			*TL	[JPT], Right
	68104421AA	1	C, F		48			*AL	Left
		1	C, F		48			*Q5	Left
		1	C, F		48			*TL	[JPR], Left
		1	C, F		48			*TL	[JPT], Left
5		1							BOLT, (NOT SERVICED),
6		1							BRACKET, Arm Rest, (NOT SERVICED)
7		1							BRACKET, Seat, (NOT SERVICED)
8		1							BRACKET, Arm Rest, (NOT SERVICED)
9		1							BRACKET, (NOT SERVICED)
10		1							SCREW, Trim, (NOT SERVICED)
11	04628848AB	2	C, F, Z		48				STRIKER, Seat Back Latch
12		2							PANEL, (NOT SERVICED)
13	06504537	1	C, F		48				NUT, Flange Locking, M12x1.75
14		1							RETAINER, Arm Rest, (NOT SERVICED)

MAGNUM/300/CHARGER (LX)

SERIES LINE
H = HIGHLINE C = CHRYSLER
P = PREMIUM F = EAGLE
S = SPORT

BODY
48 = SEDAN TYPE #8

ENGINE
ERB = 3.XL Mid V6 Engine
EZH = 5.7L V8 HEMI MDS
VCT Engine

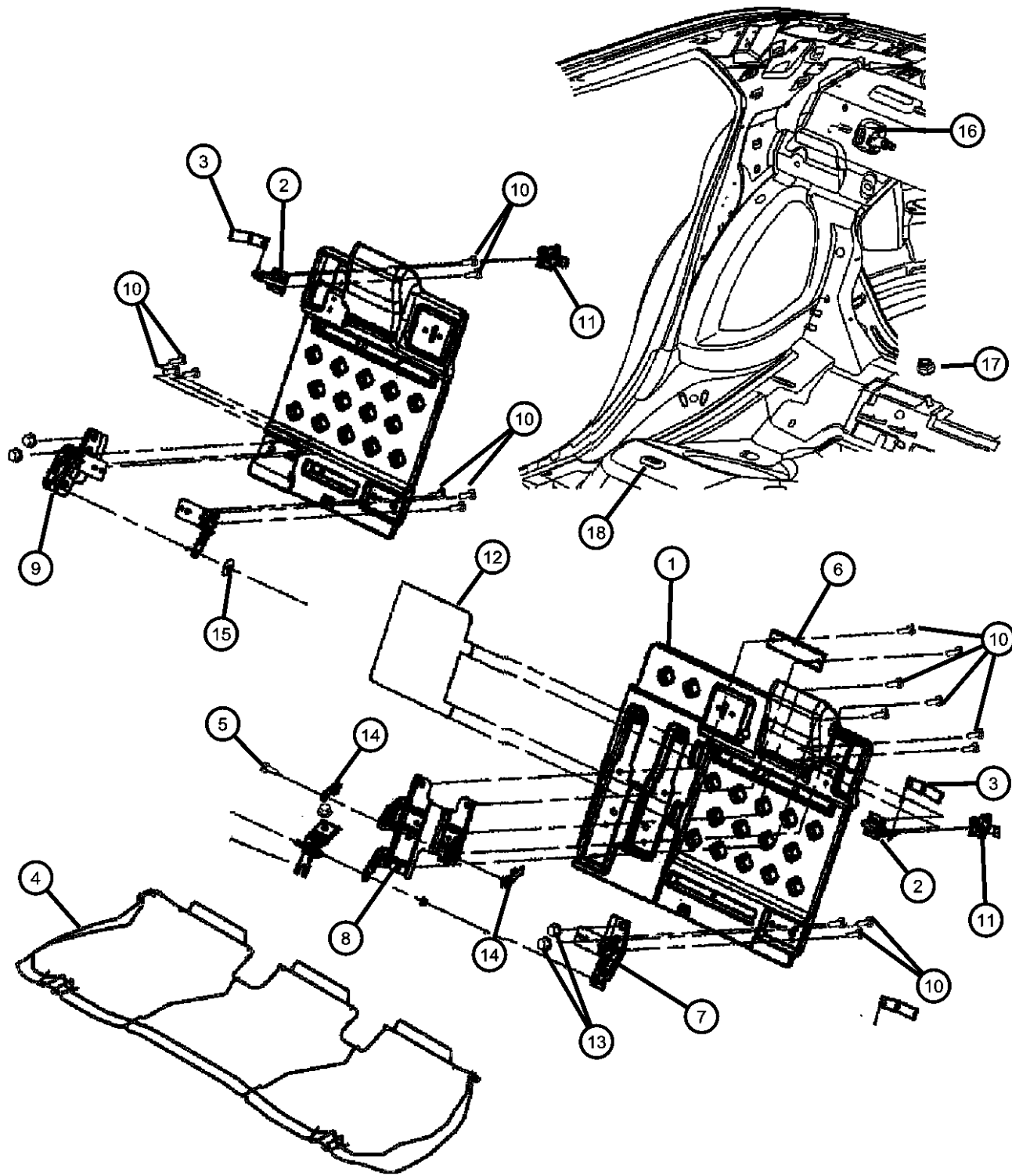
TRANSMISSION
DGJ = 5-Speed Auto W5A580
Transmission

AR = use ase required - = Non illustrated part

2011 LX

**Second Row - 60/40 Split Seat Back
Figure 50-1030**

ITEM	PART NUMBER	QTY	LINE	SERIES	BODY	ENGINE	TRANS	TRIM	DESCRIPTION
15		1							BUSHING, (NOT SERVICED)
16	04628848AB	2	C, F, Z		48				STRIKER, Seat Back Latch
17	06504537	1	C, F		48				NUT, Flange Locking, M12x1.75
18	04645939AB	2	C, F, Z		48				RETAINER, Seat Cushion



MAGNUM/300/CHARGER (LX)

SERIES LINE
H = HIGHLINE C = CHRYSLER
P = PREMIUM F = EAGLE
S = SPORT

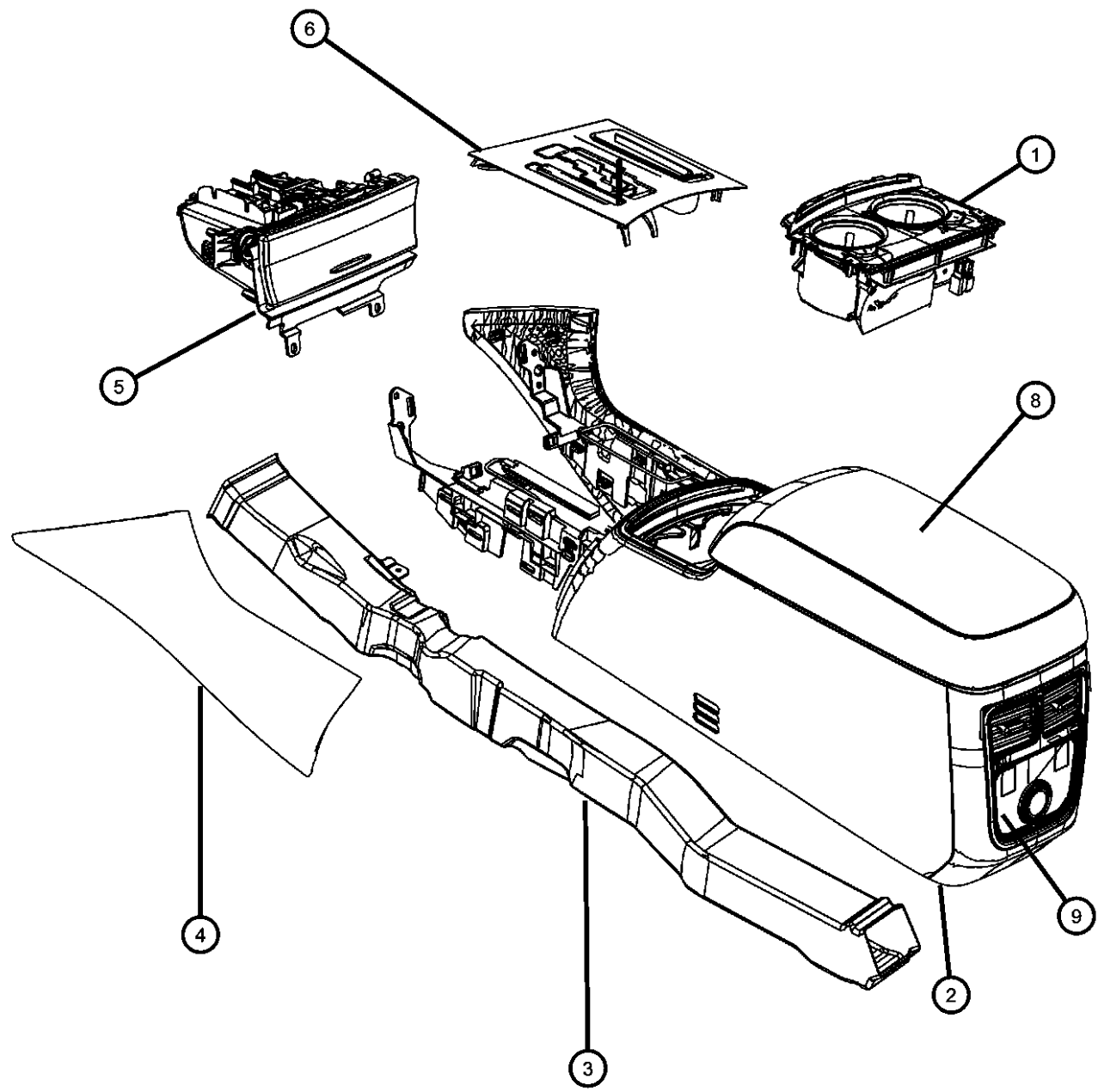
BODY
48 = SEDAN TYPE #8

ENGINE
ERB = 3.XL Mid V6 Engine
EZH = 5.7L V8 HEMI MDS
VCT Engine

TRANSMISSION
DGJ = 5-Speed Auto W5A580
Transmission

AR = use ase required - = Non illustrated part

Floor Console Front
Figure 50-1605



ITEM	PART NUMBER	QTY	LINE	SERIES	BODY	ENGINE	TRANS	TRIM	DESCRIPTION
1	1PB67DX9AC	1	C, F, Z		48			*00	CUPHOLDER [L9], [CUF], [XSN], [XGY], [JPZ], [JP9], [RSX]
	68137760AA	1	C, F, Z		48			*00	[XSJ] Or [XSM], [CUF], [RSX]
		1	C, F, Z		48			*00	[X9], [CUF], [XSR], [XGY], [JPZ], [JP9], [RSX]
2	1JN68DX9AG	1	C, F, Z		48			*00	CONSOLE, Floor [X9], [XSJ] Or [XSM], [CUF], [RSX]
	1PJ85DX9AH	1	C, F, Z		48			*00	[X9], [CUF], [XSR], [XGY], [JPZ], [JP9], [RSX]
	1PJ85HL1AH	1	C, F, Z		48			*00	[L9], [CUF], [XSN], [XGY], [JPZ], [JP9], [RSX]
	1JN68HL1AG	1	C, F, Z		48			*00	[XL], [XSJ] Or [XSM], [CUF], [RSX]
3	04662071AB	1	C, F		48				DUCT, Floor Console
4	1JR63DX9AD	1	C, F, Z		48			*00	PANEL, Console [XSJ] Or [XSR], [CUF], Left
	1QG60HL1AC	1	C, F, Z		48			*00	[XSM] Or [XSN], [CUF], Right
	1JR62DX9AD	1	C, F, Z		48			*00	[XSJ] Or [XSR], [CUF], Right
	1QG61HL1AC	1	C, F, Z		48			*00	[XSM] Or [XSN], [CUF], Left
5	1LQ47DX9AC	1	C, F		48			*00	BIN, Storage [XSJ]
	1QD19DX9AC	1	C, F		48			*00	[XSM]
	1QG97DX9AC	1	C, F		48			*00	[XSR]
	1UE17DX9AB	1	C, F		48			*00	[XSN]
6	1JQ57AAAAD	1	C, F, Z		48			*00	BEZEL, Gear Shift Indicator [X9], [XSJ]
	1JQ60AAAAD	1	C, F, Z		48			*00	[X9], [XSR]
	1TX25AAAAD	1	C, F, Z		48			*00	[L9], [XSN]
	1JQ59AAAAD	1	C, F, Z		48			*00	[XL], [XSM]
-7	05108213AA	1	C, F, Z		48				MAT, Floor Console
8	1VT06DX9AA	1	C, F, Z		48			*00	LID, Armrest Bin [X9], [XSJ] Or [XSM], [CUF], [RSX]
		1	C, F, Z		48			*00	[X9], [CUF], [XSR], [XGY], [JPZ], [JP9], [RSX]
	1VT06HL1AA	1	C, F, Z		48			*00	[L9], [CUF], [XSN], [XGY], [JPZ], [JP9], [RSX]
		1	C, F, Z		48			*00	[XL], [XSJ] Or [XSM], [CUF], [RSX]

MAGNUM/300/CHARGER (LX)

SERIES LINE
H = HIGHLINE C = CHRYSLER
P = PREMIUM F = EAGLE
S = SPORT

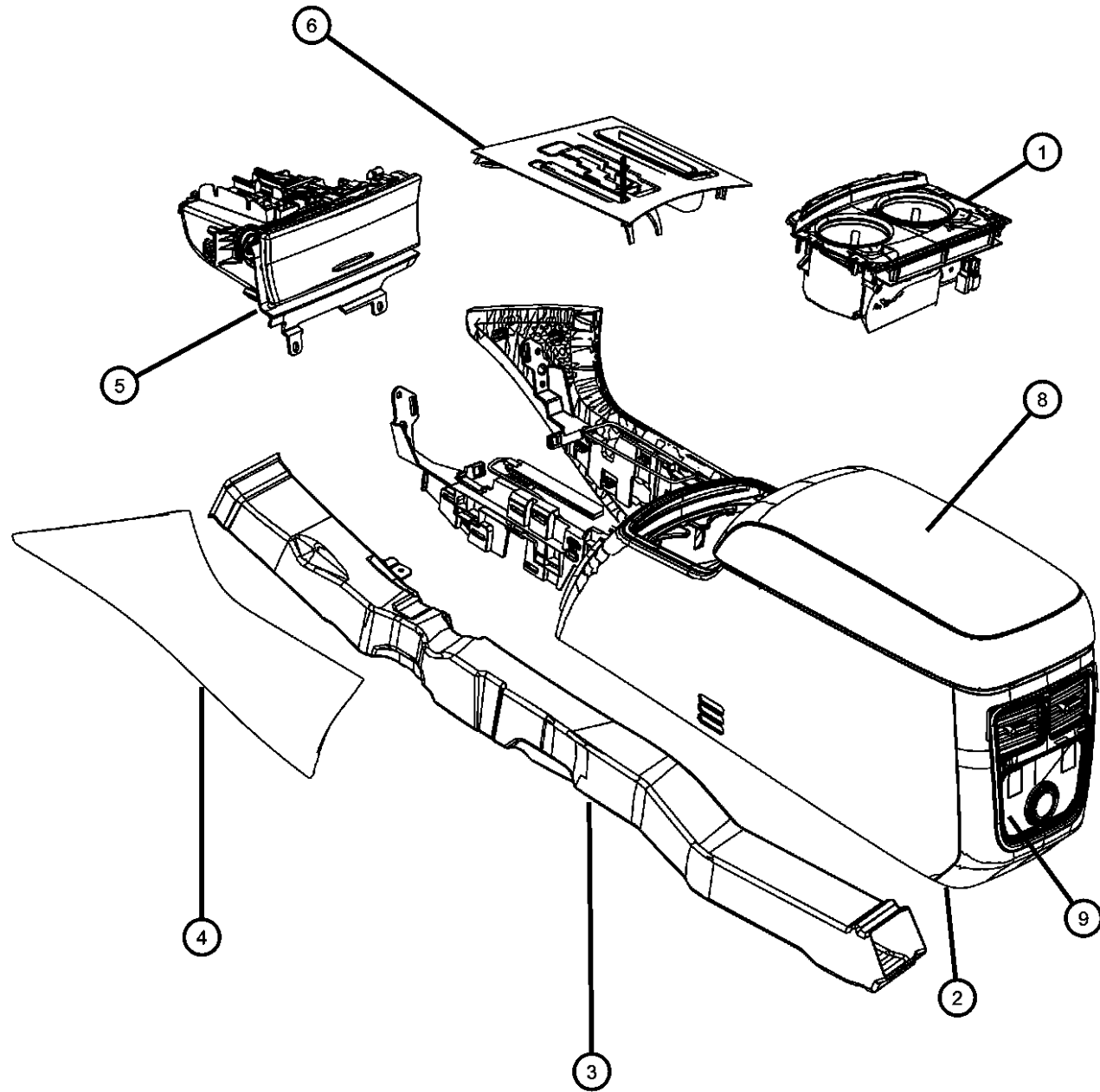
BODY
48 = SEDAN TYPE #8

ENGINE
ERB = 3.XL Mid V6 Engine
EZH = 5.7L V8 HEMI MDS
VCT Engine

TRANSMISSION
DGJ = 5-Speed Auto W5A580
Transmission

AR = use ase required - = Non illustrated part

Floor Console Front
Figure 50-1605



ITEM	PART NUMBER	QTY	LINE	SERIES	BODY	ENGINE	TRANS	TRIM	DESCRIPTION
9	1VT04DX9AA	1	C, F, Z		48			*00	CAP, Floor Console End [X9], [XSJ] Or [XSM], [CUF], [RSX]
	1VV53HL1AA	1	C, F, Z		48			*00	[L9], [CUF], [XSN], [XGY], [JPZ], [JP9], [RSX]
	1VT04HL1AA	1	C, F, Z		48			*00	[XL], [XSJ] Or [XSM], [CUF], [RSX]
	1VV53DX9AA	1	C, F, Z		48			*00	[X9], [CUF], [XSR], [XGY], [JPZ], [JP9], [RSX]
-10	68137444AA	1	C, F, Z		48			*00	LINER, Cup Holder
-11	56046637AA	1	C, F, Z		48			*00	POWER OUTLET
-12	56046651AA	1	C, F, Z		48			*00	CAP, Power Outlet Rear
	56046636AA	1	C, F, Z		48			*00	Inside Console
-13	04685590	1	C, F, Z		48			*00	BASE, Cigar Lighter

MAGNUM/300/CHARGER (LX)

SERIES LINE
H = HIGHLINE C = CHRYSLER
P = PREMIUM F = EAGLE
S = SPORT

BODY
48 = SEDAN TYPE #8

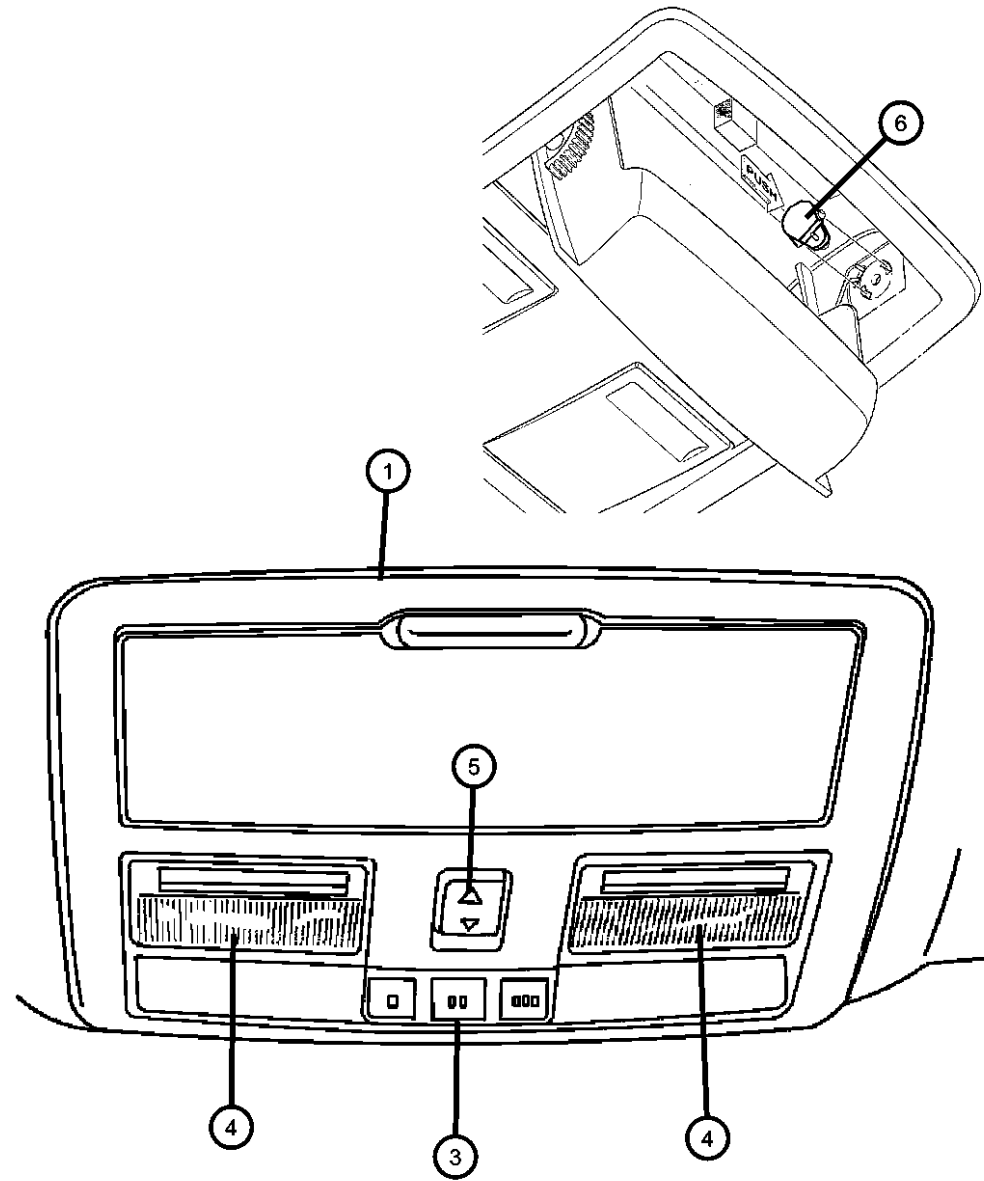
ENGINE
ERB = 3.XL Mid V6 Engine
EZH = 5.7L V8 HEMI MDS
VCT Engine

TRANSMISSION
DGJ = 5-Speed Auto W5A580
Transmission

AR = use ase required - = Non illustrated part

2011 LX

Overhead Console
Figure 50-1620



ITEM	PART NUMBER	QTY	LINE	SERIES	BODY	ENGINE	TRANS	TRIM	DESCRIPTION
1		1							CONSOLE, Overhead, (NOT SERVICED)
-2		1							CLIP, Z-Axis, (NOT SERVICED)
3		1							MODULE, Compass Temperature, W/Garage Door Opener, (NOT SERVICED)
4		1							LENS, (NOT SERVICED)
5		1							SWITCH, Sunroof, Serviced in console only, (NOT SERVICED)
6		1							FOLLOWER, Sunglass Bin, (NOT SERVICED)

MAGNUM/300/CHARGER (LX)

SERIES LINE
H = HIGHLINE C = CHRYSLER
P = PREMIUM F = EAGLE
S = SPORT

BODY
48 = SEDAN TYPE #8

ENGINE
ERB = 3.XL Mid V6 Engine
EZH = 5.7L V8 HEMI MDS
VCT Engine

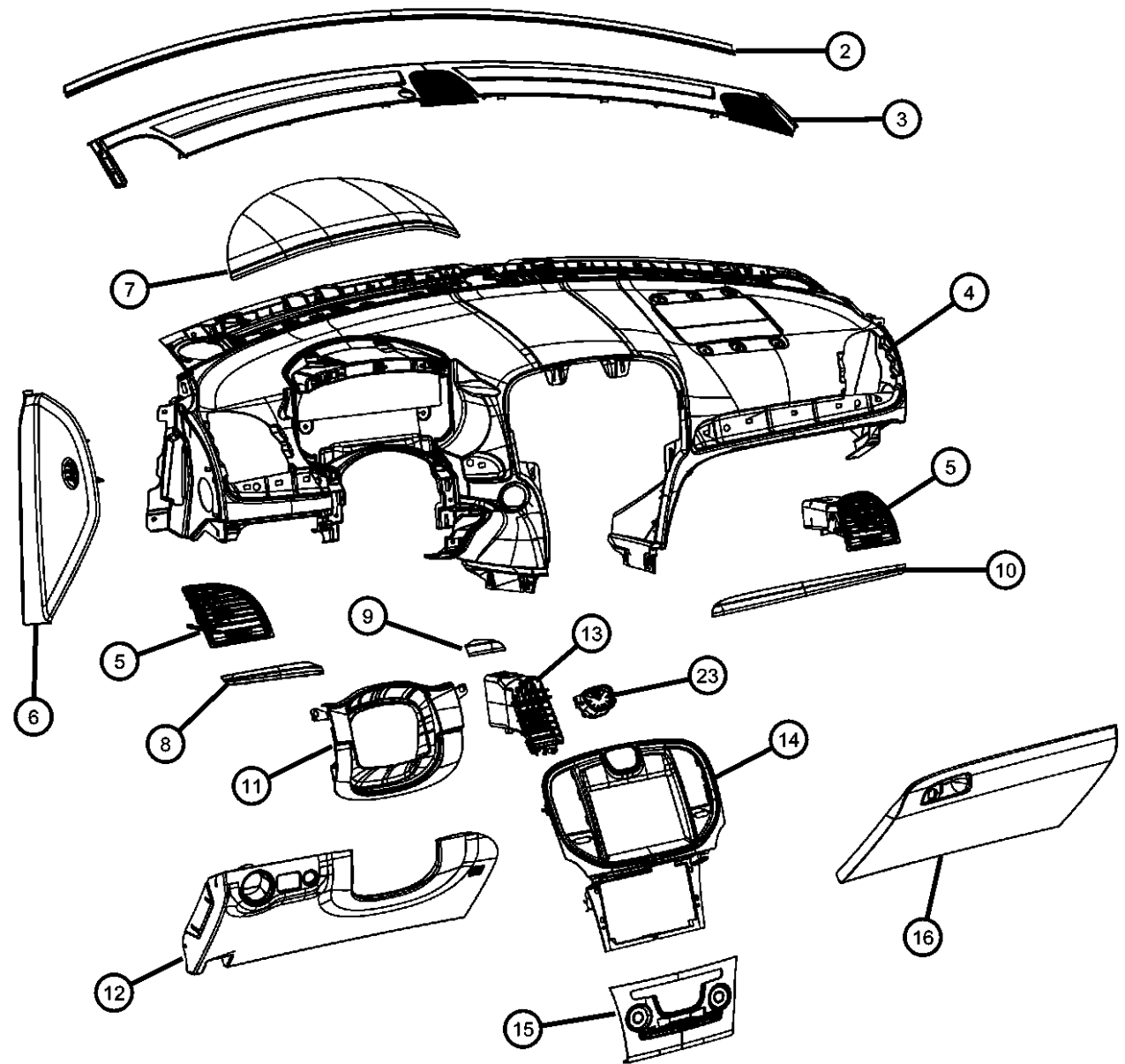
TRANSMISSION
DGJ = 5-Speed Auto W5A580
Transmission

AR = use ase required - = Non illustrated part

2011 LX

**Instrument Panel
Figure 50-1704**

ITEM	PART NUMBER	QTY	LINE	SERIES	BODY	ENGINE	TRANS	TRIM	DESCRIPTION
-1									REINFORCEMENT, Instrument Panel
	04780921AC	1	C, F		48				Dash Reinforcement
	55197474AD	1	C, F		48				Beam Assy.
2	68138344AA	1	C, F		48			*O0	SEAL, Instrument Panel
3									GRILLE, Defroster
	1JQ67DX9AF	1	C, F, Z		48			*O0	[X9]
		1	C, F, Z		48			*O0	[XL]
	1JQ67HL9AF	1	C, F, Z		48			*O0	[L9]
4									PANEL, Instrument Panel
	1VU72DX9AA	1	C, F		48			*O0	[X9], [XSR]
	1VU72HL9AA	1	C, F		48			*O0	[L9], [XSN]
		1	C, F		48			*O0	[X9], [XSJ]
		1	C, F		48			*O0	[XL], [XSM]
5									OUTLET, Air Conditioning & Heater
	1VU76DX9AA	1	C, F		48			*O0	[X9], [XSJ], Right
		1	C, F		48			*O0	[XL], [XSM], Right
	1VU75DX9AA	1	C, F		48			*O0	[X9], [XSJ], Left
		1	C, F		48			*O0	[XL], [XSM], Left
		1	C, F		48			*O0	[X9], [XSR], Left
		1	C, F		48			*O0	[L9], [XSN], Left
		1	C, F		48			*O0	[X9], [XSR], Right
		1	C, F		48			*O0	[L9], [XSN], Right
6									CAP, Instrument Panel End
	1QD22DX9AE	1	C, F		48			*O0	[X9], Right
		1	C, F		48			*O0	[XL], Right
	1QD22HL9AE	1	C, F		48			*O0	[L9], Right
	1QD23DX9AE	1	C, F		48			*O0	[XL], Left
	1QD23HL9AE	1	C, F		48			*O0	[L9], Left
		1	C, F		48			*O0	[X9], Left
7									BEZEL, Hood
	1VU83DX9AA	1	C, F		48			*O0	[X9], [XSJ]
		1	C, F		48			*O0	[XL], [XSM]
		1	C, F		48			*O0	[X9], [XSR]
	1VU83HL9AA	1	C, F		48			*O0	[L9], [XSN]
8									APPLIQUE, Instrument Panel



MAGNUM/300/CHARGER (LX)
 SERIES LINE
 H = HIGHLINE C = CHRYSLER
 P = PREMIUM F = EAGLE
 S = SPORT

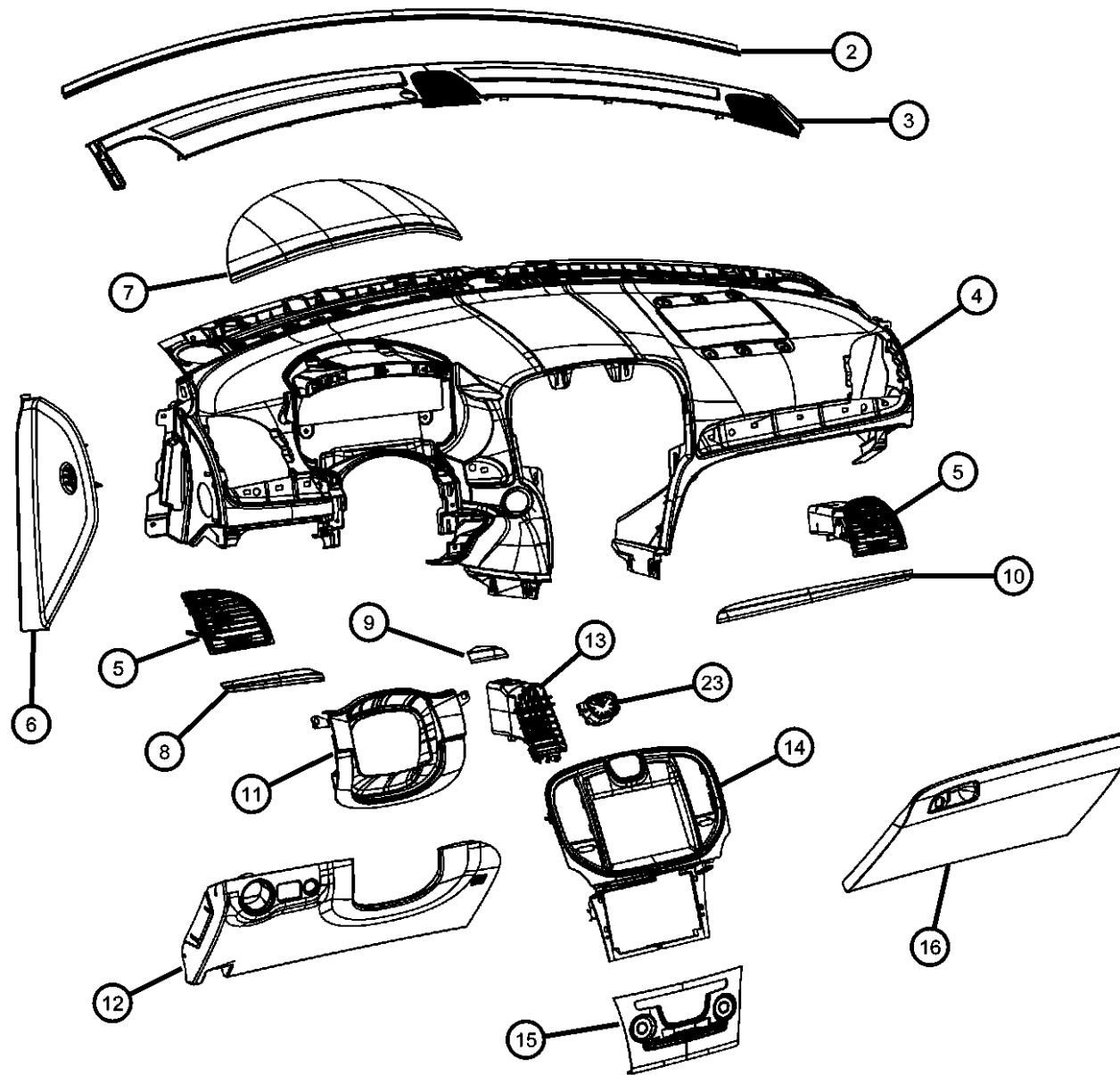
BODY
 48 = SEDAN TYPE #8

ENGINE
 ERB = 3.XL Mid V6 Engine
 EZH = 5.7L V8 HEMI MDS
 VCT Engine

TRANSMISSION
 DGJ = 5-Speed Auto W5A580
 Transmission

AR = use ase required - = Non illustrated part

**Instrument Panel
Figure 50-1704**



ITEM	PART NUMBER	QTY	LINE	SERIES	BODY	ENGINE	TRANS	TRIM	DESCRIPTION
	1VU99AAAAA	1	C, F		48			*00	[X9], [XSJ]
		1	C, F		48			*00	[XL], [XSM]
	1VV10AAAAA	1	C, F		48			*00	[X9], [XSR]
	1VV13AAAAA	1	C, F		48			*00	[L9], [XSN]
9									APPLIQUE, Instrument Panel
	1VV01AAAAA	1	C, F		48			*00	[X9], [XSJ]
		1	C, F		48			*00	[XL], [XSM]
	1VV11AAAAA	1	C, F		48			*00	[X9], [XSR]
	1VV14AAAAA	1	C, F		48			*00	[L9], [XSN]
10									APPLIQUE, Instrument Panel
	1VV00AAAAA	1	C, F		48			*00	[X9], [XSJ]
		1	C, F		48			*00	[XL], [XSM]
	1VV12AAAAA	1	C, F		48			*00	[X9], [XSR]
	1VV15AAAAA	1	C, F		48			*00	[L9], [XSN]
11									GAP HIDER, Steering Column Shroud
	1VU77DX9AA	1	C, F		48			*00	[XL], [XSM]
		1	C, F		48			*00	[X9], [XSJ]
		1	C, F		48			*00	[X9], [XSR]
		1	C, F		48			*00	[L9], [XSN]
12									KNEEBLOCKER, Steering Column Opening
	1JN63HL1AD	1	C, F		48			*00	[XL]
	1JN63DX9AD	1	C, F		48			*00	[X9]
		1	C, F		48			*00	[L9]
13									OUTLET, Center
	1VU78DX9AA	1	C, F		48			*00	[L9], [XSN], Right
	1VU79DX9AA	1	C, F		48			*00	[X9], [XSJ], Left
		1	C, F		48			*00	[XL], [XSM], Left
		1	C, F		48			*00	[X9], [XSR], Left
		1	C, F		48			*00	[L9], [XSN], Left
		1	C, F		48			*00	[X9], [XSJ], Right
		1	C, F		48			*00	[XL], [XSM], Right
		1	C, F		48			*00	[X9], [XSR], Right
14									CENTER STACK, Upper
	05064632AG	1	C, F, Z		48				Display With Bezel

MAGNUM/300/CHARGER (LX)
 SERIES LINE
 H = HIGHLINE C = CHRYSLER
 P = PREMIUM F = EAGLE
 S = SPORT

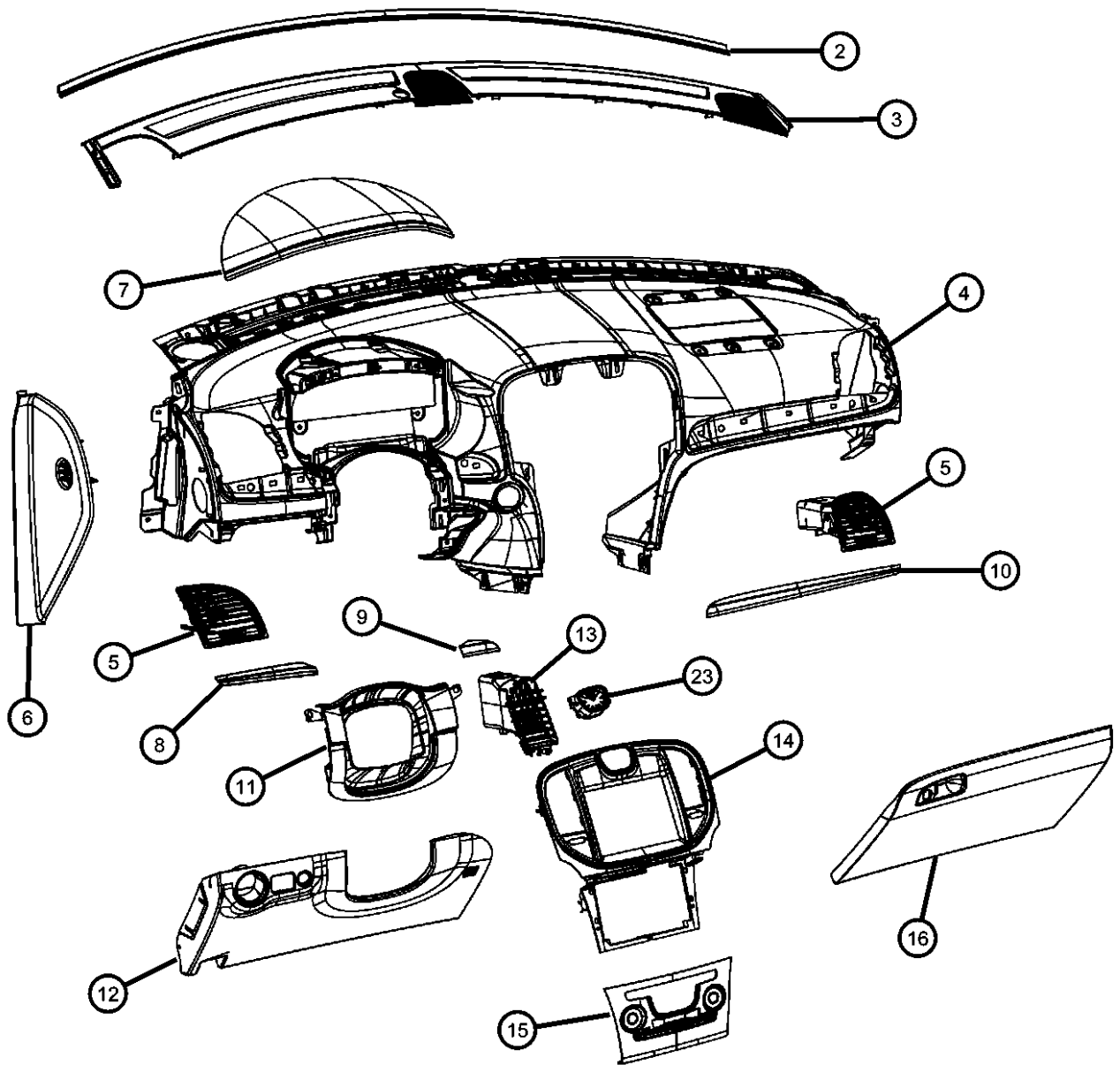
BODY
 48 = SEDAN TYPE #8

ENGINE
 ERB = 3.XL Mid V6 Engine
 EZH = 5.7L V8 HEMI MDS
 VCT Engine

TRANSMISSION
 DGJ = 5-Speed Auto W5A580
 Transmission

AR = use ase required - = Non illustrated part

**Instrument Panel
Figure 50-1704**



ITEM	PART NUMBER	QTY	LINE	SERIES	BODY	ENGINE	TRANS	TRIM	DESCRIPTION
	05064798AG	1	C, F, Z		48				Display Without Bezel
15	1QH13AAAAC	1	C, F, Z		48			*00	CENTER STACK, Lower [XSJ]
	1QH14AAAAC	1	C, F, Z		48			*00	[XSR]
	1TD12AAAAC	1	C, F, Z		48			*00	[XSM]
	1UA83AAAAC	1	C, F, Z		48			*00	[XSN]
16	1VM70DX9AA	1	C, F		48			*00	DOOR, Glove Box [X9]
	1VM70HL1AA	1	C, F		48			*00	[L9]
		1	C, F		48			*00	[XL]
-17	1VU91DX9AA	1	C, F		48			*00	GLOVE BOX, Instrument Panel
-18	68138332AA	1	C, F		48			*00	SHELF, Glove Box
-19									HANDLE, Release
	1VM71DX9AA	1	C, F		48			*00	[X9]
	1VM71HL1AA	1	C, F		48			*00	[L9]
		1	C, F		48			*00	[XL]
-20	68110650AA	1	C, F		48			*00	STRIKER, Glove Box Door Latch
-21	68110649AA	1	C, F		48			*00	DAMPENER, Glove Box Door
-22	68110896AA	2	C, F		48			*00	BUMPER, Glove Box Door
23	56046230AA	1	C, F, Z		48				CLOCK
-24	68110716AA	5	C, F		48			*00	CLIP, Trim

MAGNUM/300/CHARGER (LX)

SERIES LINE
H = HIGHLINE C = CHRYSLER
P = PREMIUM F = EAGLE
S = SPORT

BODY
48 = SEDAN TYPE #8

ENGINE
ERB = 3.0L Mid V6 Engine
EZH = 5.7L V8 HEMI MDS
VCT Engine

TRANSMISSION
DGJ = 5-Speed Auto W5A580
Transmission

AR = use ase required - = Non illustrated part

Group - 60

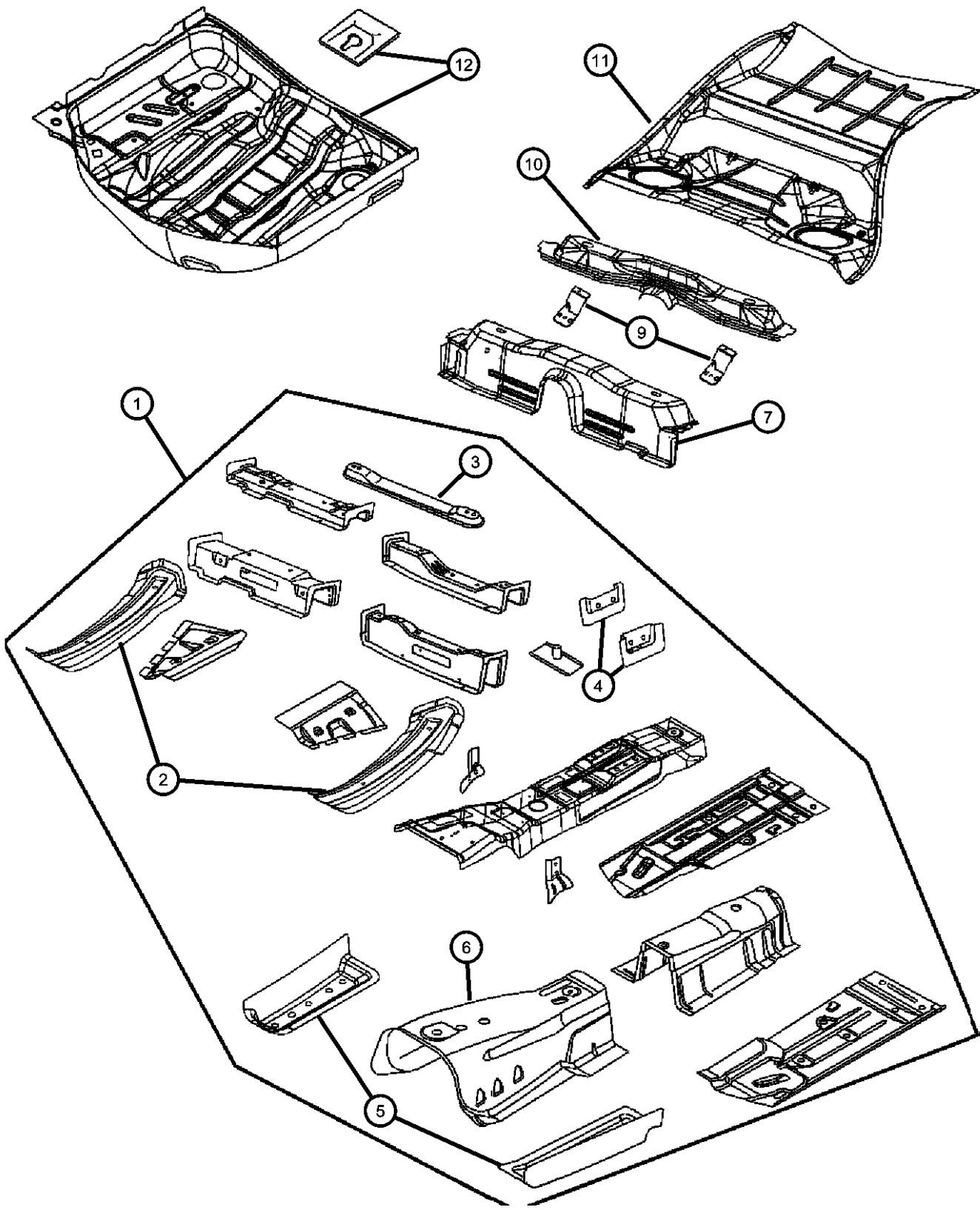
Body Sheet Metal Except Doors

060-100 Floor Pans	060-1000 Sunroof	060-1100 Deck Lid	060-1200 Shelf Panel
060-200 Plugs	060-300 Fenders	060-400 Hood and Hood Release	060-500 Cowl and Dash Panel
060-600 Aperture Panel and Pillar Supports	060-700 Pick-up Box and Fuel Filler Door	060-900 Roof	

Group - 60 Body Sheet Metal Except Doors

Illustration Title	Group-Fig. No.
Floor Pans	
Front, Center & Rear Floor Pan.....	Fig. 60 - 110
Underbody Shields and Skidplates	Fig. 60 - 180
Plugs	
Body Plugs and Exhauster	Fig. 60 - 205
Fenders	
Front Fender.....	Fig. 60 - 305
Hood and Hood Release	
Hood and Related Parts	Fig. 60 - 405
Cowl and Dash Panel	
Cowl, Dash Panel, & Related Parts.....	Fig. 60 - 505
Aperture Panel and Pillar Supports	
Front Aperture Panel - Chrysler 300.....	Fig. 60 - 605
Rear Aperture (Quarter) Panel - Chrysler 300	Fig. 60 - 650
Pick-up Box and Fuel Filler Door	
Fuel Filler Housing and Door.....	Fig. 60 - 775
Roof	
Roof Panel.....	Fig. 60 - 905
Sunroof	
Sunroof Glass and Component Parts.....	Fig. 60 - 1005
Deck Lid	
Deck Lid and Related Parts - Chrysler 300	Fig. 60 - 1110
Shelf Panel	
Rear Shelf Panel	Fig. 60 - 1205

Front, Center & Rear Floor Pan
Figure 60-110



ITEM	PART NUMBER	QTY	LINE	SERIES	BODY	ENGINE	TRANS	TRIM	DESCRIPTION
1	68043495AC	1	F		48				PAN, Front Floor F Series
	68043494AC	1	C		48				C Series
2	68043924AA	1	C		48				EXTENSION, Front Side Rail C Series, Right
		1	F		48				F Series, Right
	68043925AA	1	C		48				C Series, Left
		1	F		48				F Series, Left
3	04780889AB	1	C, F, Z		48				REINFORCEMENT, Tunnel
4	05065210AA	1	C		48				BRACKET, Drive Shaft Center Bearing C Series, Right
		1	F		48				F Series, Right
	05065211AA	1	C		48				C Series, Left
		1	F		48				F Series, Left
5	05065208AB	1	C		48				BRACKET, Transmission Mount Right
	05065209AB	1	C		48				Left
6	04780787AC	1	C		48				EXTENSION, Floor Pan
7	04780800AA	1	C, F, Z		48				CROSSMEMBER, Floor Pan
-8	04780812AD	1	C, F, Z		48				CROSSMEMBER, Rear Suspension Rear
	68030677AB	1	C, F, Z		48				Front
9	05065678AC	2	C, F		48				REINFORCEMENT, Seat Belt Anchor
10	04780792AD	1	C, F, Z		48				REINFORCEMENT, Crossmember
11	05065311AB	1	C, F		48				PAN, Floor
12	68057483AA	1	C, F, Z		48				PAN, Rear Floor
-13	06101932	4	C, F, Z		48				STUD, M8x1.25x20.00, Hood Hinge
-14	55235004	2	C, F, Z		48				REINFORCEMENT, Tapping Plate
-15	68082648AC	1	C, F, Z		48				COVER, Torque Box Right
	68082649AC	1	C, F, Z		48				Left
-16	57010352AB	1	C, F, Z		48				SHIELD, Torque Box Right
	57010353AB	1	C, F, Z		48				Left

MAGNUM/300/CHARGER (LX)
 SERIES LINE
 H = HIGHLINE C = CHRYSLER
 P = PREMIUM F = EAGLE
 S = SPORT

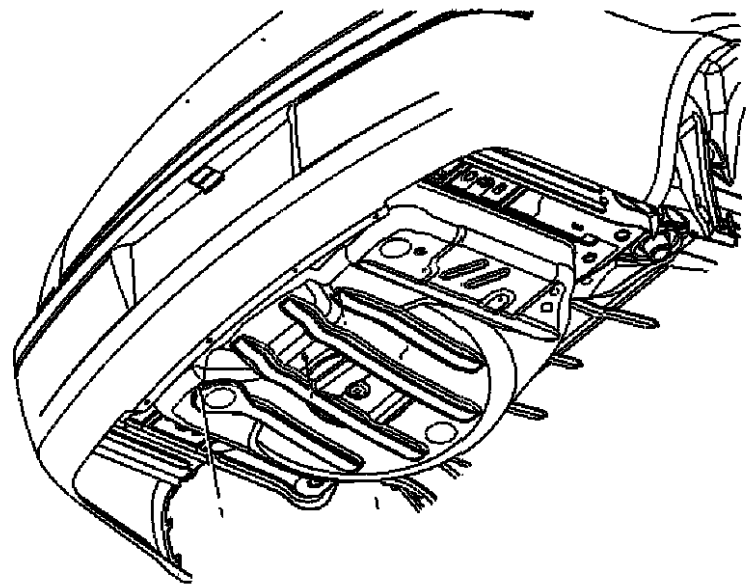
BODY
 48 = SEDAN TYPE #8

ENGINE
 ERB = 3.XL Mid V6 Engine
 EZH = 5.7L V8 HEMI MDS
 VCT Engine

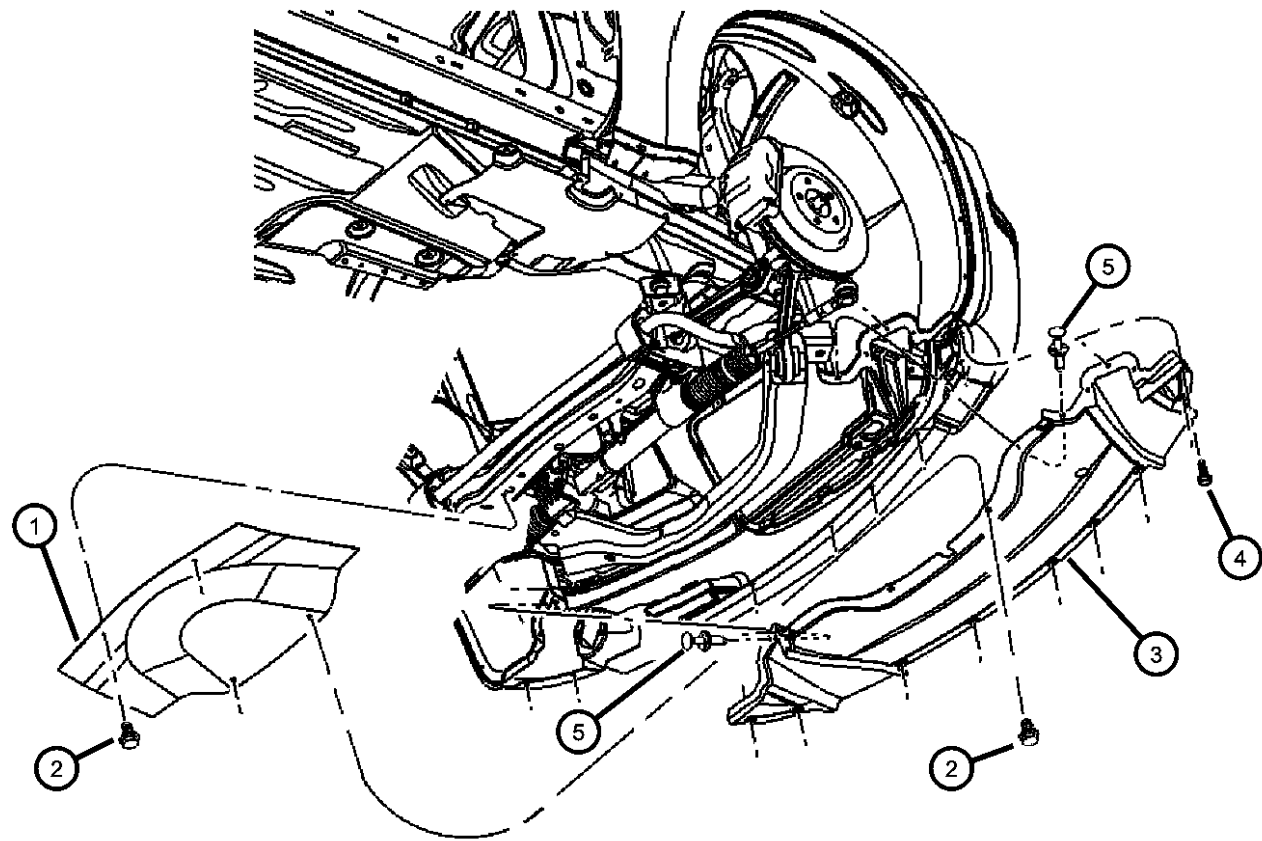
TRANSMISSION
 DGJ = 5-Speed Auto W5A580
 Transmission

AR = use ase required - = Non illustrated part

Underbody Shields and Skidplates
Figure 60-180



ITEM	PART NUMBER	QTY	LINE	SERIES	BODY	ENGINE	TRANS	TRIM	DESCRIPTION
1									BELLY PAN, Front
	04806074AG	1	C		48				
	68083327AC	1	F		48				
2	06508332AA	4	C, F, Z		48				SCREW
3	57010303AB	1	C, F, Z		48				BELLY PAN, Front
4	06506161AA	10	C, F		48				SCREW AND WASHER, Tapping Hex Head, M4.2x1.41x20
5	06506132AA	4	C, F, Z		48				PIN, Push In, M7.0x20.0
-6	04780894AG	1	C, Z		48				SILENCER, Tunnel
-7	06101712	4	C, F, Z		48				NUT, U, M6x1.00



MAGNUM/300/CHARGER (LX)

SERIES LINE
H = HIGHLINE C = CHRYSLER
P = PREMIUM F = EAGLE
S = SPORT

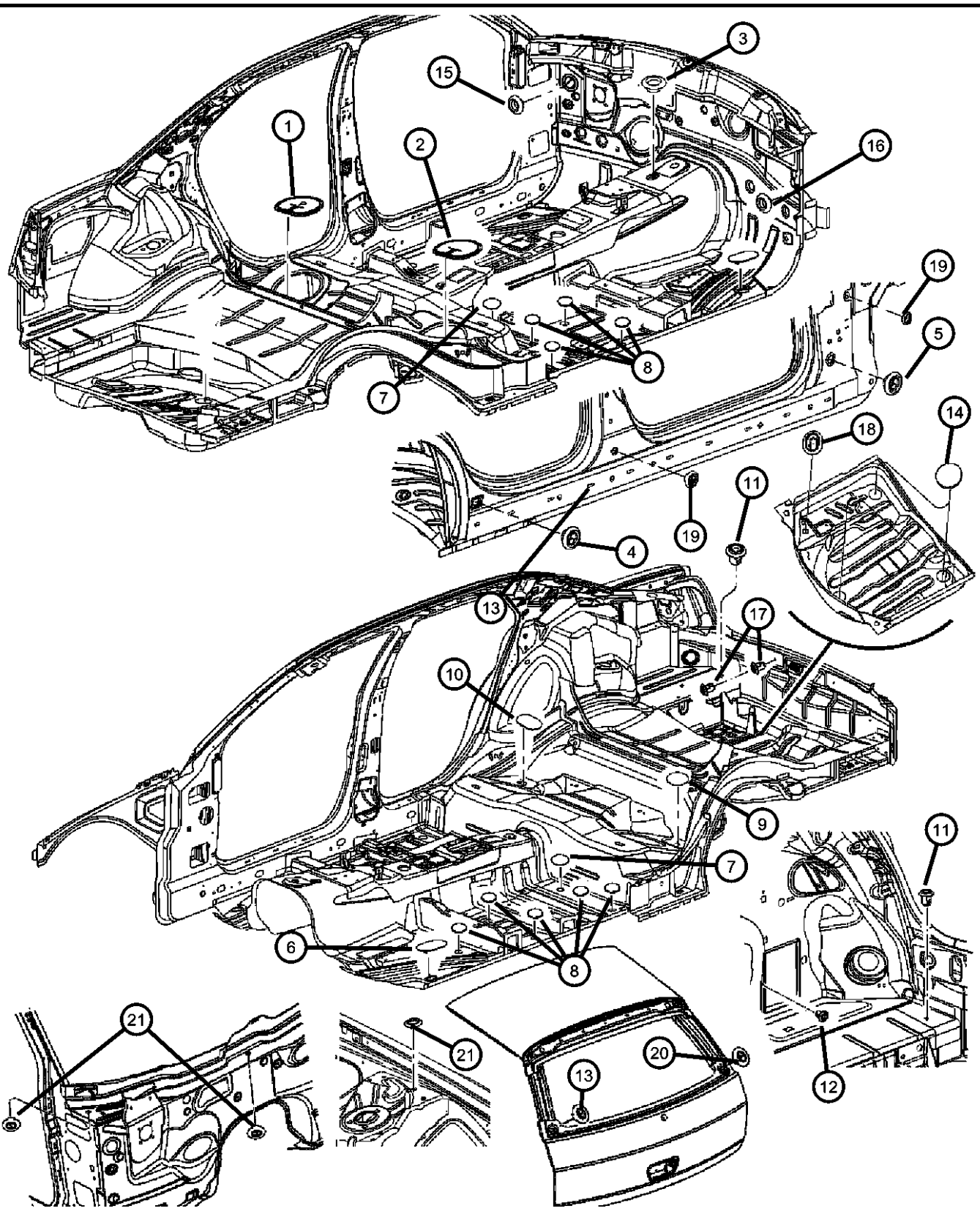
BODY
48 = SEDAN TYPE #8

ENGINE
ERB = 3.XL Mid V6 Engine
EZH = 5.7L V8 HEMI MDS
VCT Engine

TRANSMISSION
DGJ = 5-Speed Auto W5A580
Transmission

AR = use ase required - = Non illustrated part

Body Plugs and Exhauster
Figure 60-205



ITEM	PART NUMBER	QTY	LINE	SERIES	BODY	ENGINE	TRANS	TRIM	DESCRIPTION
1	04780796AC	1	C, F		48				COVER, Fuel Tank Access
2	04780797AC	1	C, F		48				COVER, Fuel Tank Access
3	04780615AB	1	C, F		48				PLUG, Body, .75 Diameter
4	55176729AA	1	C, F		48				PLUG
5	55257380AD	1	C, F		48				PLUG
6	04589408AA	2	C, F		48				PLUG, Floor Pan
7	04589534AA	1	C, F, Z		48				PLUG, Top Seal
8	04589535AD	8	C, F		48				PLUG
9	04589534AA	1	C, F, Z		48				PLUG, Top Seal
10	04589408AA	2	C, F		48				PLUG, Floor Pan
11	68088450AA	1	C, F, Z		48				GROMMET
12	68088450AA	1	C, F, Z		48				GROMMET
13	04780615AB	1	C, F		48				PLUG, Body, .75 Diameter
14	04589534AA	1	C, F, Z		48				PLUG, Top Seal
15	55257105AA	1	C, F		48				PLUG, Floor, 50mm
16	05112208AA	1	C, F		48				PLUG
17	68088450AA	1	C, F, Z		48				GROMMET
18	55176729AA	1	C, F		48				PLUG
19	04440294	1	C, F		48				PLUG, Body
20	04440294	1	C, F		48				PLUG, Body
21	55257105AA	1	C, F		48				PLUG, Floor, 50mm
-22	05065494AA	2	C, F, Z		48				BUMPER, Deck Lid Overslam

MAGNUM/300/CHARGER (LX)
 SERIES LINE
 H = HIGHLINE C = CHRYSLER
 P = PREMIUM F = EAGLE
 S = SPORT

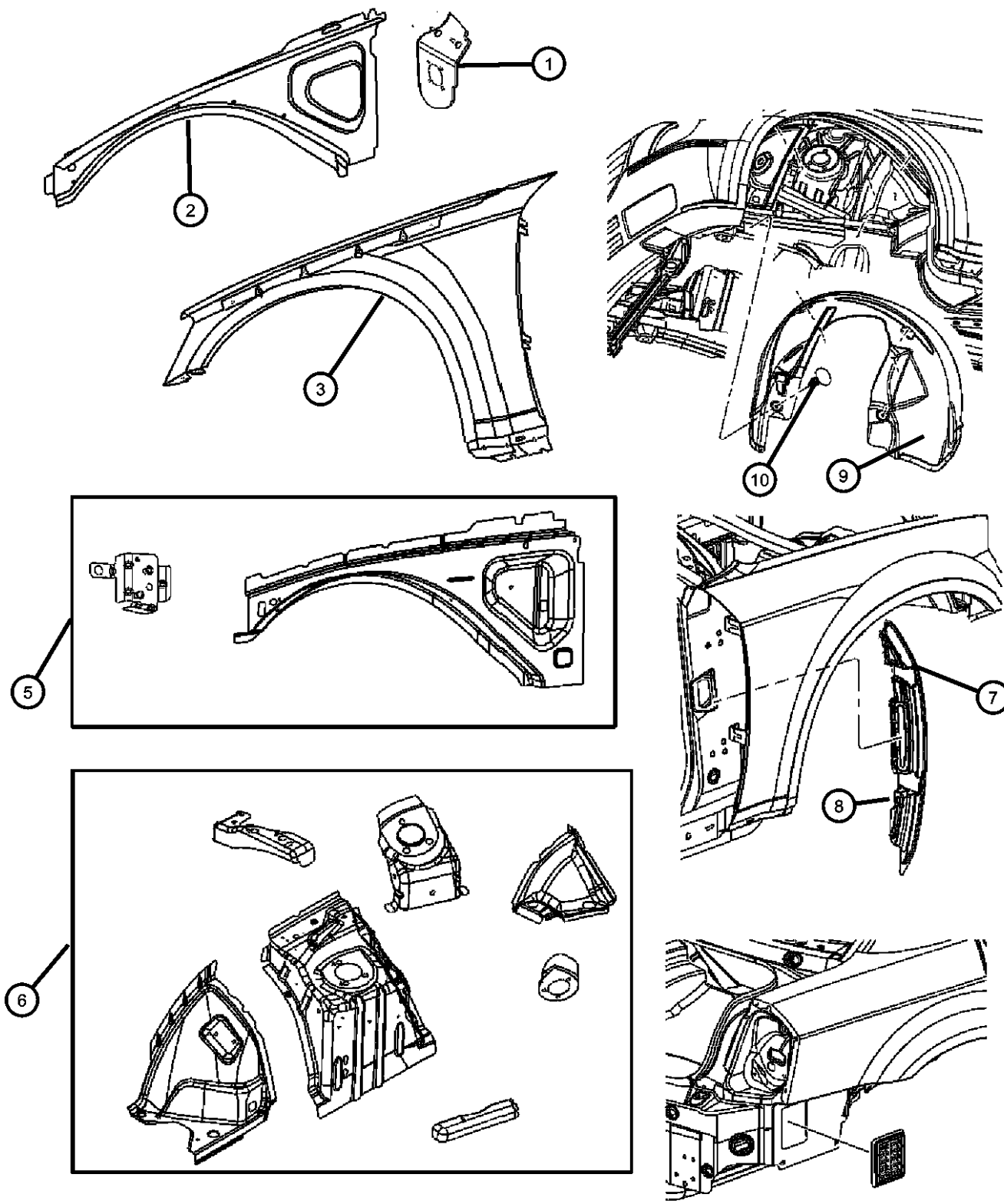
BODY
 48 = SEDAN TYPE #8

ENGINE
 ERB = 3.XL Mid V6 Engine
 EZH = 5.7L V8 HEMI MDS
 VCT Engine

TRANSMISSION
 DGJ = 5-Speed Auto W5A580
 Transmission

AR = use ase required - = Non illustrated part

Front Fender
Figure 60-305



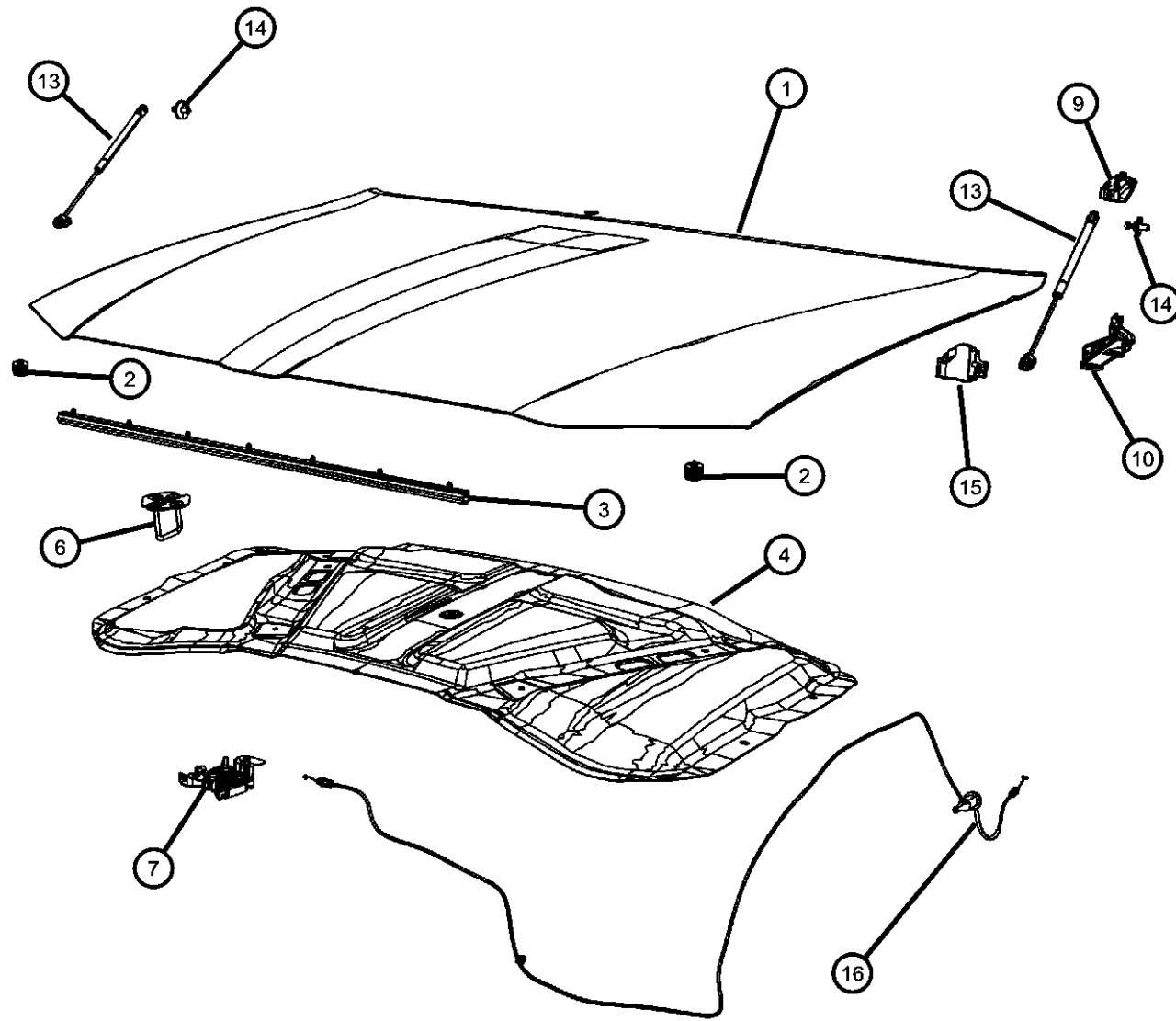
ITEM	PART NUMBER	QTY	LINE	SERIES	BODY	ENGINE	TRANS	TRIM	DESCRIPTION
1	68044372AA	1	C, F		48				CROSSMEMBER, Floor Pan
2	68043926AA	1	C, F		48				BEAM, Upper Load Path Right
	68043927AA	1	C, F		48				Left
3	55113438AB	1	C, F, Z		48				FENDER, Front Right
	55113439AB	1	C, F, Z		48				Left
-4	06101712	4	C, F, Z		48				NUT, U, M6x1.00
5	68043926AA	1	C, F		48				BEAM, Upper Load Path Right
	68043927AA	1	C, F		48				Left
6	68093434AA	1	C, F, Z		48				PANEL, Front Wheelhouse Right
	68093435AA	1	C, F, Z		48				Left
7	68043204AB	1	C, F, Z		48				FOAM, Blocker Right
	68043205AB	1	C, F, Z		48				Left
8	68039974AB	1	C, F, Z		48				WEATHERSTRIP, Front Door Mounted, Door to Fender Right
	68039975AB	1	C, F, Z		48				Left
9	68084289AB	1	C, F, Z		48				SHIELD, Wheelhouse Left
	68084288AB	1	C, F, Z		48				Right
10	06506132AA	2	C, F, Z		48				PIN, Push In, M7.0x20.0
-11	05112056AB	1	C, F		48				BRACKET, Wiper Motor
-12	06505223AA	2	C, F		48				NUT, Spring, M6, Fender to Headlamp Mounting Bracket
-13	06101308	2	C, F, Z		48				NUT, U, M6x1.00

MAGNUM/300/CHARGER (LX)

SERIES	LINE	BODY	ENGINE	TRANSMISSION
H = HIGHLINE	C = CHRYSLER	48 = SEDAN TYPE #8	ERB = 3.XL Mid V6 Engine	DGJ = 5-Speed Auto W5A580
P = PREMIUM	F = EAGLE		EZH = 5.7L V8 HEMI MDS	Transmission
S = SPORT			VCT Engine	

AR = use ase required - = Non illustrated part

**Hood and Related Parts
Figure 60-405**



ITEM	PART NUMBER	QTY	LINE	SERIES	BODY	ENGINE	TRANS	TRIM	DESCRIPTION
1	68127958AA	1	C, F, Z		48				HOOD
2	05054227AA	2	C, F, Z		48				BUMPER, Hood
3	68040220AA	1	C, F, Z		48				WEATHERSTRIP, Hood to Radiator
4	05057776AA	1	C, F, Z		48				SILENCER, Hood
-5	04878883AA	9	C, F, Z		48				PIN, Push
6	04589689AA	1	C, F, Z		48				STRIKER, Hood Latch
7									LATCH, Hood
	55113787AB	1	C, F, Z		48				[XBM]
	55113780AB	1	C, F, Z		48				[XBM]
-8	06104366AA	2	C, F, Z		48				SCREW AND WASHER, Hex Head, M6x1x20
9	68040243AB	1	C, F		48				MUCKET, Cowl, Wiper Pivot
10									HINGE, Hood
	55113550AE	1	C, F, Z		48				Right
	55113551AE	1	C, F, Z		48				Left
-11	06509606AA	4	C, F, Z		48				SCREW AND WASHER, Hex Head Pilot Point, M8x1.25x27, Hinge to Hood
-12	06505727AA	4	C, F, Z		48				BOLT AND CONED WASHER, Hex Head, M8X1.25X25.00, Hinge to Body
13									PROP, Gas
	55113776AA	1	C, F, Z		48				Right
	55113777AA	1	C, F, Z		48				Left
14	06507889AA	2	C, F		48				STUD, M8x
15									MUCKET, Fender TO COWL
	68040240AB	1	C, F		48				Right
	68040241AB	1	C, F		48				Left
16									RELEASE, Hood Latch, Includes Handle
	1PS72DX9AB	1	C, F		48				[X9]
	1PS72HL1AB	1	C, F		48				[L9]
		1	C, F		48				[XL]

MAGNUM/300/CHARGER (LX)

SERIES LINE
H = HIGHLINE C = CHRYSLER
P = PREMIUM F = EAGLE
S = SPORT

BODY
48 = SEDAN TYPE #8

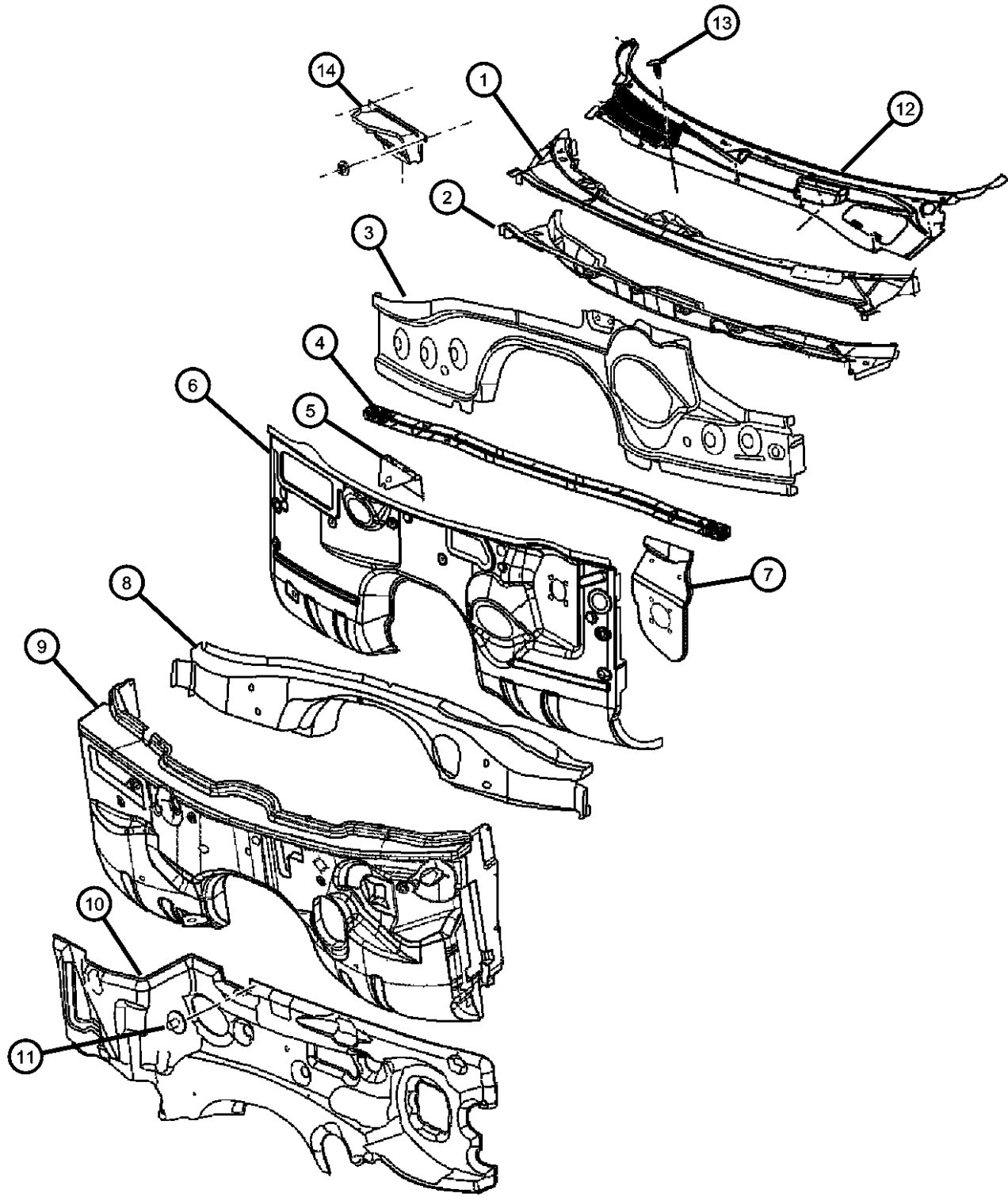
ENGINE
ERB = 3.XL Mid V6 Engine
EZH = 5.7L V8 HEMI MDS
VCT Engine

TRANSMISSION
DGJ = 5-Speed Auto W5A580
Transmission

AR = use ase required - = Non illustrated part

2011 LX

**Cowl, Dash Panel, & Related Parts
Figure 60-505**



ITEM	PART NUMBER	QTY	LINE	SERIES	BODY	ENGINE	TRANS	TRIM	DESCRIPTION
1	68038078AA	1	C, F, Z		48				PANEL, Cowl Top
2	68058045AA	1	C, F		48				PANEL, Cowl Plenum Lower
3	04780921AC	1	C, F		48				REINFORCEMENT, Instrument Panel
4	05065304AC	1	C, F		48				BRACE, Wheelhouse
5	05065361AA	1	C, F, Z		48				BRACKET, Wiper
6	05112745AA	1	C, F		48				PANEL, Dash
7	68054438AA	1	C, F		48				REINFORCEMENT, Brake Booster
8	04780921AC	1	C, F		48				REINFORCEMENT, Instrument Panel
9	04628926AK	1	C, F		48				SILENCER, Dash And Cowl Sides
10	05057645AD	1	C, F		48				SILENCER, Dash Panel
11	06508463AA	2	C, F, Z		48				NUT, Plastic
12	57010373AB	1	C, F		48				PANEL, Cowl Top, Includes Access Door
13	06506293AA	1	C, F, Z		48				PIN, Push
14	55038179AB	1	C, F, Z		48				PLENUM, Fresh Air Inlet

MAGNUM/300/CHARGER (LX)

SERIES LINE
H = HIGHLINE C = CHRYSLER
P = PREMIUM F = EAGLE
S = SPORT

BODY
48 = SEDAN TYPE #8

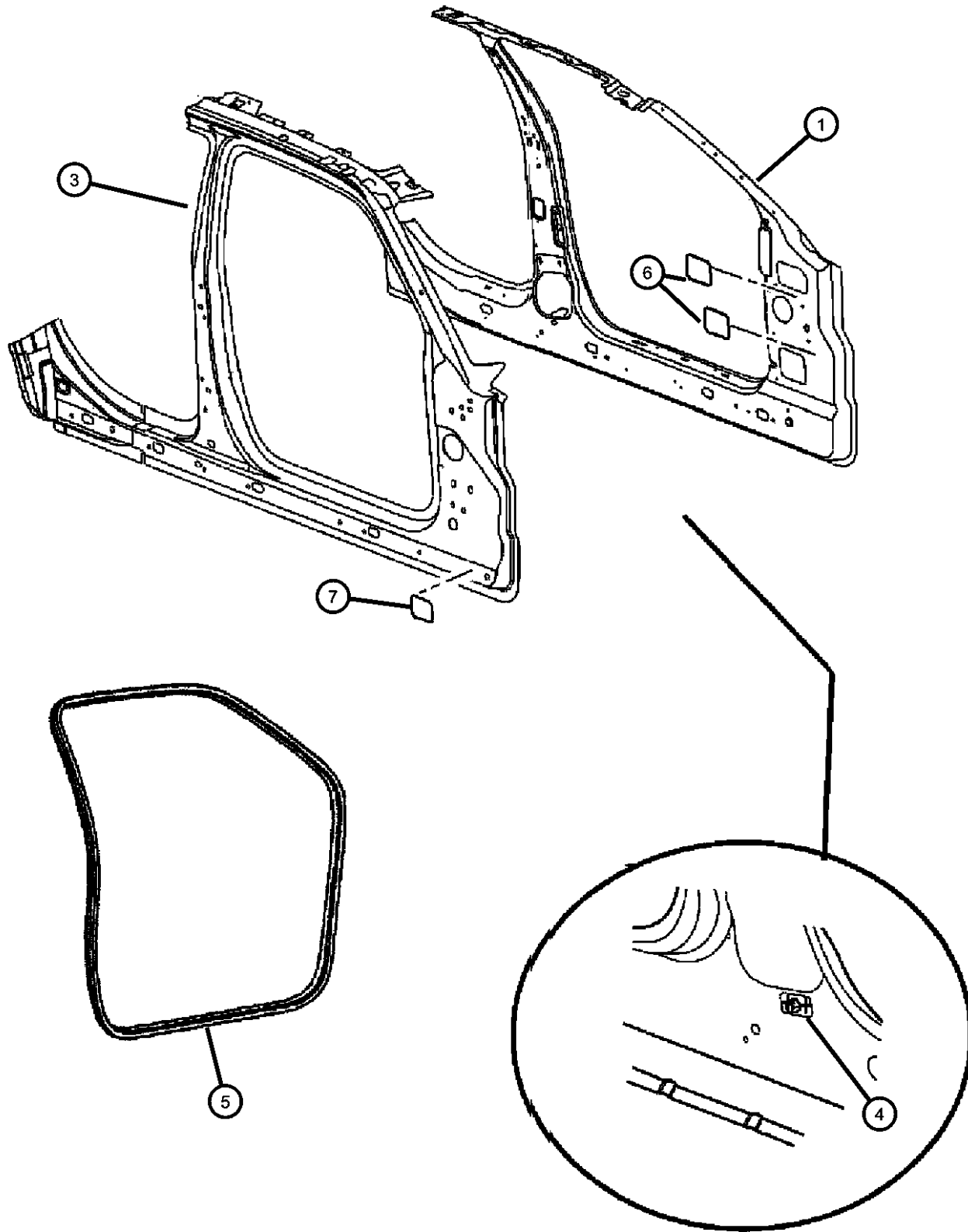
ENGINE
ERB = 3.XL Mid V6 Engine
EZH = 5.7L V8 HEMI MDS VCT Engine

TRANSMISSION
DGJ = 5-Speed Auto W5A580 Transmission

AR = use ase required - = Non illustrated part

2011 LX

Front Aperture Panel - Chrysler 300
Figure 60-605



ITEM	PART NUMBER	QTY	LINE	SERIES	BODY	ENGINE	TRANS	TRIM	DESCRIPTION
1	68127976AA	1	C, F, Z		48				PANEL, Body Side Aperture Inner, Front Right
	68127977AA	1	C, F, Z		48				Left
-2	68127980AA	1	C, F, Z		48				REINFORCEMENT, Body Side Aperture Front, Inner Right
	68127981AA	1	C, F, Z		48				Left
3	68127973AA	1	C, F, Z		48				PANEL, Body Side Aperture Outer, Front Left
	68127972AA	1	C, F, Z		48				Right
4	06033150	1	C, F, Z		48				NUT PLATE, .25-20
5	1KV45DX9AB	1	C, F, Z		48				WEATHERSTRIP, Front Door Opening [X9]
	1KV45HL1AB	1	C, F, Z		48				[L9]
		1	C, F, Z		48				[XL]
6	55276821AA	1	C, F, Z		48				TAPE
7	55364097AB	1	C, F, Z		48				TAPE

MAGNUM/300/CHARGER (LX)

SERIES LINE
H = HIGHLINE C = CHRYSLER
P = PREMIUM F = EAGLE
S = SPORT

BODY
48 = SEDAN TYPE #8

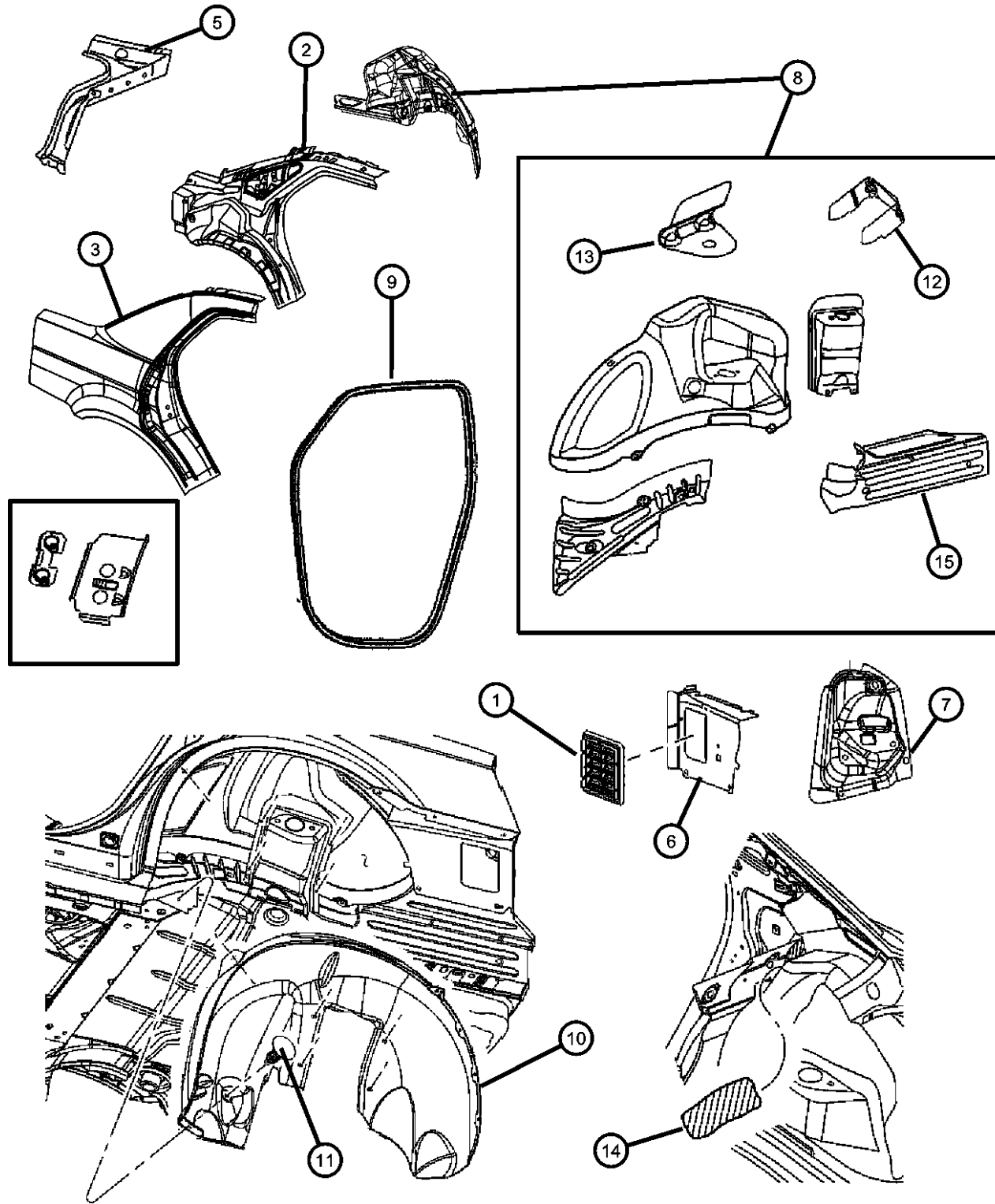
ENGINE
ERB = 3.XL Mid V6 Engine
EZH = 5.7L V8 HEMI MDS VCT Engine

TRANSMISSION
DGJ = 5-Speed Auto W5A580 Transmission

AR = use ase required - = Non illustrated part

2011 LX

Rear Aperture (Quarter) Panel - Chrysler 300
Figure 60-650



ITEM	PART NUMBER	QTY	LINE	SERIES	BODY	ENGINE	TRANS	TRIM	DESCRIPTION
To Drain									
1	55394330AB	2	C, F, Z		48				EXHAUSTER, Bodyside Aperture
2									PANEL, Body Side Aperture Inner, Rear
	68127978AA	1	C, F, Z		48				Right
	68127979AA	1	C, F, Z		48				Left
3									PANEL, Body Side Aperture Outer, Rear
	68127974AA	1	C, F, Z		48				Right
	68127975AA	1	C, F, Z		48				Left
-4									REINFORCEMENT, Body Side Aperture Rear, Inner
	68127982AA	1	C, F, Z		48				Right
	68127983AA	1	C, F, Z		48				Left
5									TROUGH, Deck Opening
	68058755AA	1	C, F, Z		48				Left
	68058756AA	1	C, F, Z		48				Right
6	68030677AB	1	C, F, Z		48				CROSSMEMBER, Rear Suspension
7									PANEL, Taillamp Mounting
	68037590AA	1	C, F, Z		48				Right
	68037591AA	1	C, F, Z		48				Left
8									PANEL, Rear Wheelhouse
	68066718AD	1	C, F		48				Right
	68066719AD	1	C, F, Z		48				Left
9									WEATHERSTRIP, Rear Door Opening
	1KV50DX9AB	1	C, F, Z		48				[X9]
	1KV50HL1AB	1	C, F, Z		48				[L9]
		1	C, F, Z		48				[XL]
10									SHIELD, Wheelhouse
	68084290AB	1	C, F, Z		48				Right
	68084291AB	1	C, F, Z		48				Left
11	06506132AA	6	C, F, Z		48				PIN, Push In, M7.0x20.0
12	05112986AA	1	C, F		48				BRACKET, Vapor Canister
13	05065539AB	1	C, F		48				BRACKET, Vapor Canister
14	05056258AA	2	C, F, Z		48				STUFFER
15									COVER, Rear Floor Outer Extension

MAGNUM/300/CHARGER (LX)

SERIES LINE
H = HIGHLINE C = CHRYSLER
P = PREMIUM F = EAGLE
S = SPORT

BODY
48 = SEDAN TYPE #8

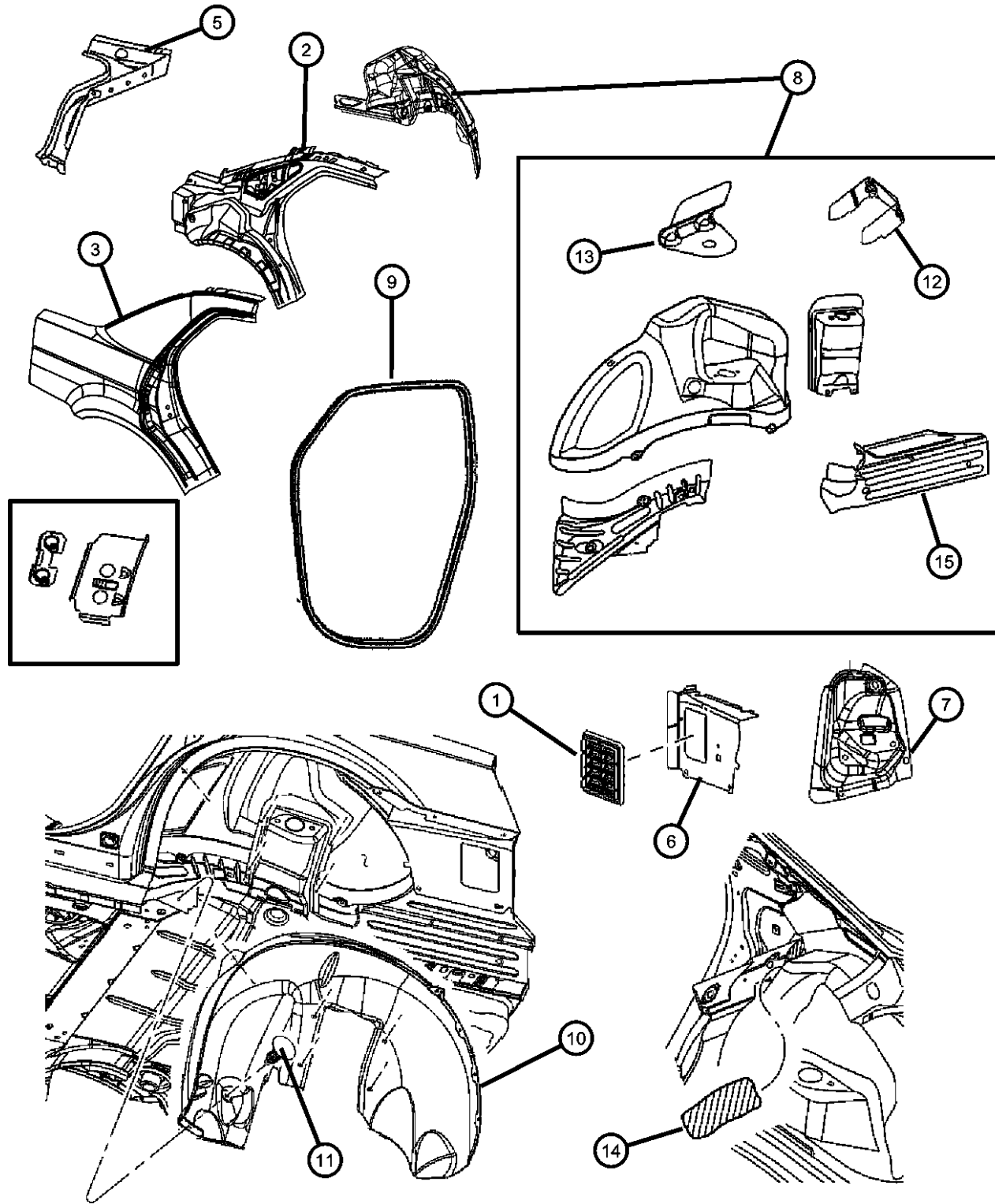
ENGINE
ERB = 3.XL Mid V6 Engine
EZH = 5.7L V8 HEMI MDS
VCT Engine

TRANSMISSION
DGJ = 5-Speed Auto W5A580
Transmission

AR = use ase required - = Non illustrated part

2011 LX

Rear Aperture (Quarter) Panel - Chrysler 300
Figure 60-650



ITEM	PART NUMBER	QTY	LINE	SERIES	BODY	ENGINE	TRANS	TRIM	DESCRIPTION
	04780902AD	1	C, F		48				Right
	04780903AD	1	C, F, Z		48				Left

MAGNUM/300/CHARGER (LX)

SERIES LINE
H = HIGHLINE C = CHRYSLER
P = PREMIUM F = EAGLE
S = SPORT

BODY
48 = SEDAN TYPE #8

ENGINE
ERB = 3.0L Mid V6 Engine
EZH = 5.7L V8 HEMI MDS
VCT Engine

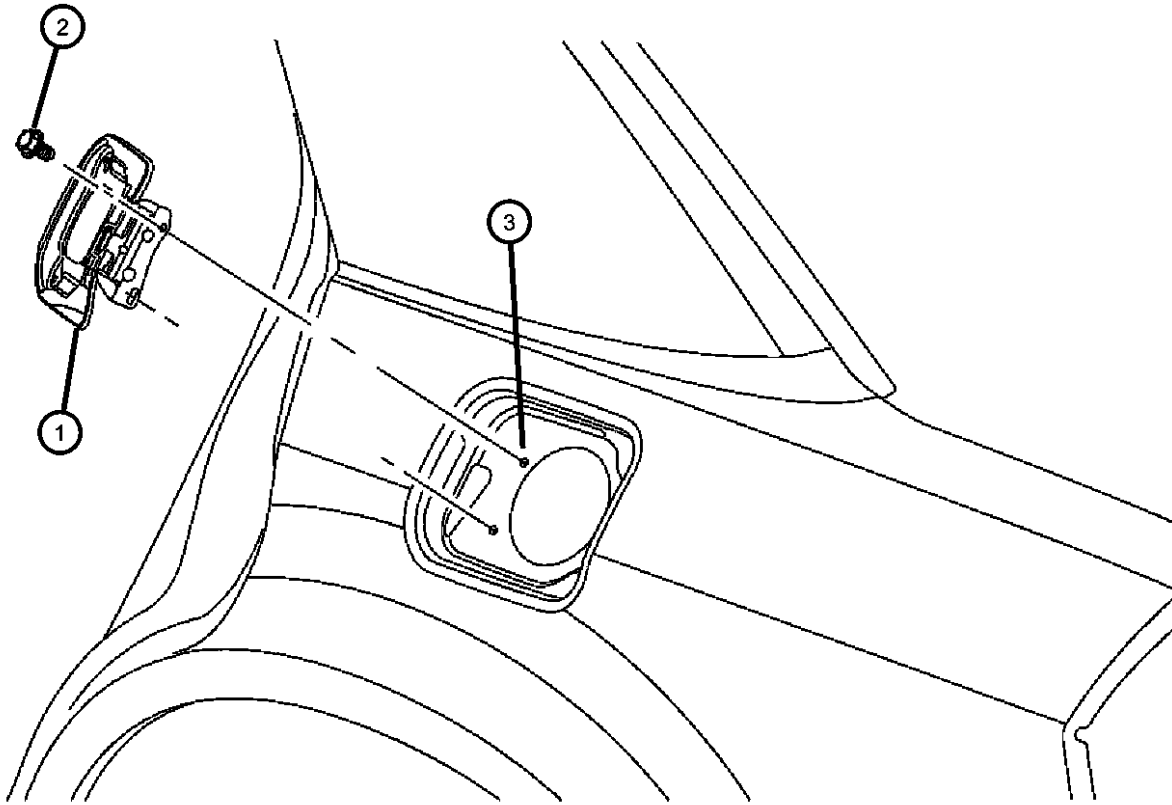
TRANSMISSION
DGJ = 5-Speed Auto W5A580
Transmission

AR = use ase required - = Non illustrated part

2011 LX

**Fuel Filler Housing and Door
Figure 60-775**

ITEM	PART NUMBER	QTY	LINE	SERIES	BODY	ENGINE	TRANS	TRIM	DESCRIPTION
1	68040387AA	1	C, F, Z		48				DOOR, Fuel Fill
2	06104141AA	2	C, F, Z		48				SCREW, Pan Head, M6X1.0X12.00
3	68037709AA	1	C, F, Z		48				HOUSING, Fuel Filler



MAGNUM/300/CHARGER (LX)

SERIES LINE
H = HIGHLINE C = CHRYSLER
P = PREMIUM F = EAGLE
S = SPORT

BODY
48 = SEDAN TYPE #8

ENGINE
ERB = 3.XL Mid V6 Engine
EZH = 5.7L V8 HEMI MDS
VCT Engine

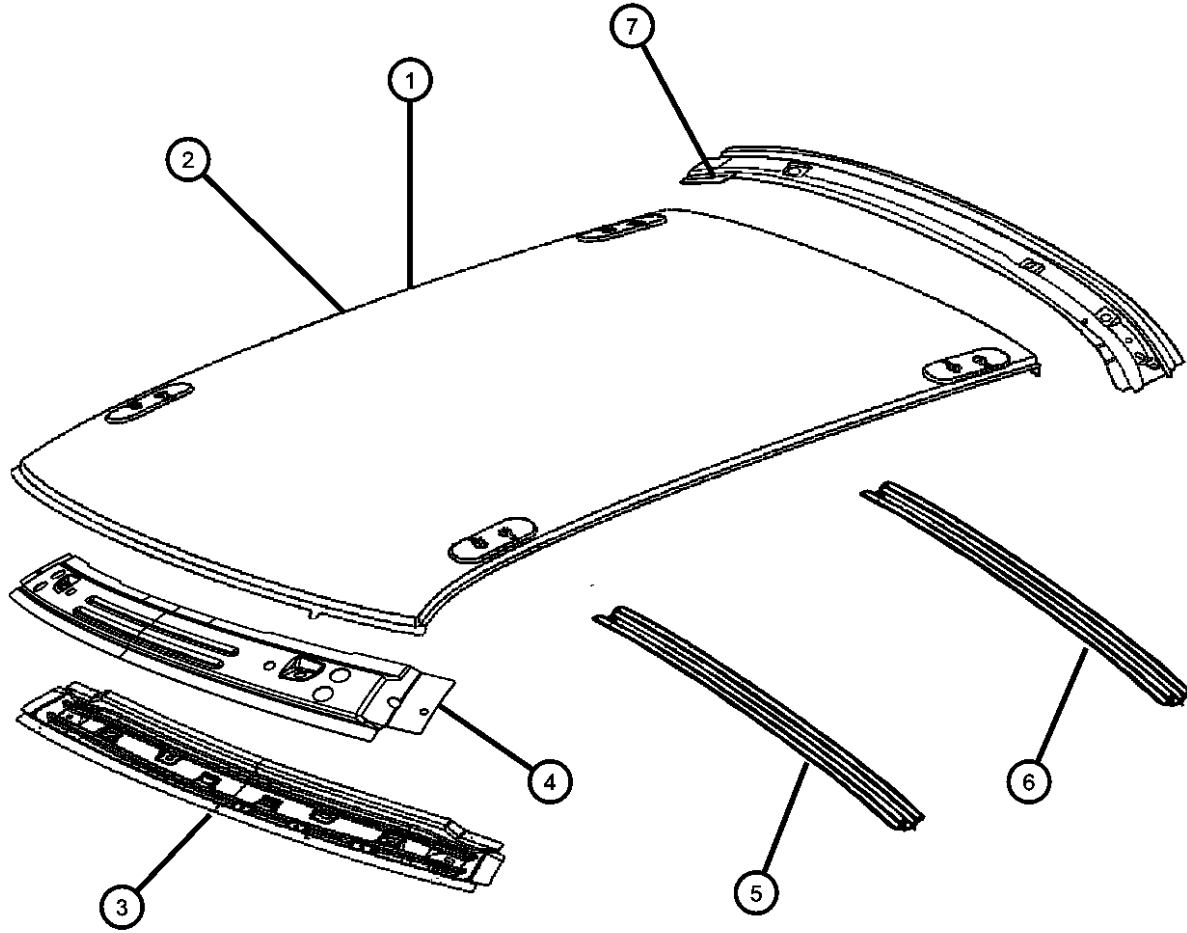
TRANSMISSION
DGJ = 5-Speed Auto W5A580
Transmission

AR = use ase required - = Non illustrated part

2011 LX

Roof Panel
Figure 60-905

ITEM	PART NUMBER	QTY	LINE	SERIES	BODY	ENGINE	TRANS	TRIM	DESCRIPTION
1	68037686AA	1	C, F, Z		48				PANEL, Roof, Without Sunroof Opening
2	68037687AA	1	C, F, Z		48				PANEL, Roof, With Sunroof Opening
3	68054854AB	1	C, F, Z		48				HEADER, Roof Front
4	68054858AB	1	C, F, Z		48				HEADER, Roof Front
5	68037695AA	1	C, F, Z		48				BOW, Roof
6	68037696AB	1	C, F, Z		48				BOW, Roof
7	68037693AA	1	C, F, Z		48				HEADER, Roof Rear



MAGNUM/300/CHARGER (LX)

SERIES LINE
H = HIGHLINE C = CHRYSLER
P = PREMIUM F = EAGLE
S = SPORT

BODY
48 = SEDAN TYPE #8

ENGINE
ERB = 3.XL Mid V6 Engine
EZH = 5.7L V8 HEMI MDS
VCT Engine

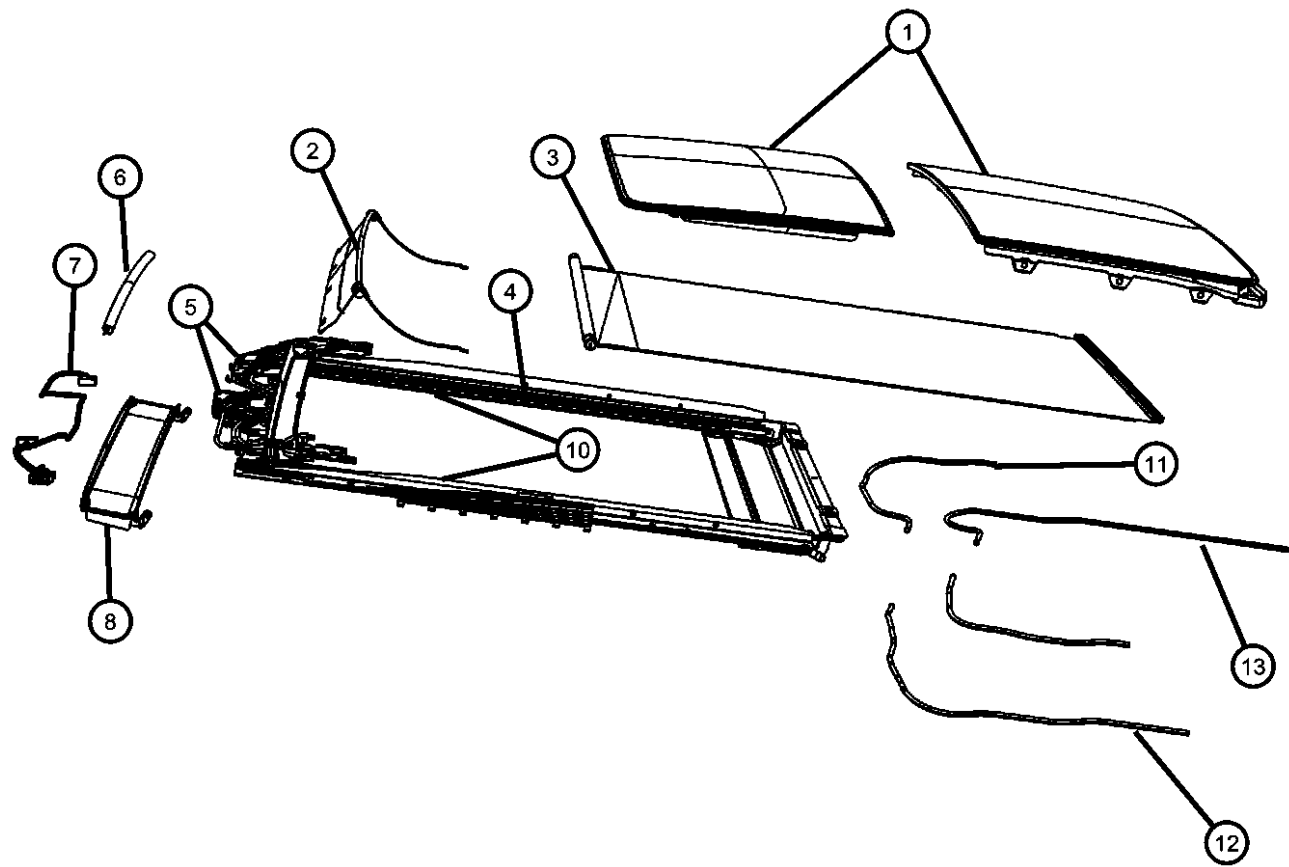
TRANSMISSION
DGJ = 5-Speed Auto W5A580
Transmission

AR = use ase required - = Non illustrated part

2011 LX

**Sunroof Glass and Component Parts
Figure 60-1005**

ITEM	PART NUMBER	QTY	LINE	SERIES	BODY	ENGINE	TRANS	TRIM	DESCRIPTION
1									GLASS, Sunroof
	68127965AA	1	C, F, Z		48				Front
	68127966AA	1	C, F, Z		48				Rear
2	68127967AA	1	C, F, Z		48				DEFLECTOR, Sunroof Wind
3									SUNSHADE, Sunroof
	1SX57DX9AA	1	C, F, Z		48				[X9]
	1SX57HL1AA	1	C, F, Z		48				[L9]
		1	C, F, Z		48				[XL]
4	68127964AA	1	C, F, Z		48				FRAME, Sunroof
5	68111370AA	1	C, F, Z		48				MOTOR, Sunroof
6	68081082AA	1	C, F, Z		48				SEAL, Sunroof
7	68081055AA	1	C, F, Z		48				WIRING, Sunroof
8	68138174AA	1	C, F, Z		48				CHANNEL, Sunroof Drain
-9	68081086AA	1	C, F, Z		48				COVER, Sunroof Mechanism
10									GUIDE, Sunroof Glass
	68081084AA	1	C, F, Z		48				Right
	68081085AA	1	C, F, Z		48				Left
11	68127968AA	1	C, F, Z		48				TUBE, Sunroof DrainRight Front
12	68127969AA	1	C, F, Z		48				TUBE, Sunroof DrainLeft Front
13	68088174AA	2	C, F, Z		48				TUBE, Sunroof DrainRear



MAGNUM/300/CHARGER (LX)

SERIES LINE
H = HIGHLINE C = CHRYSLER
P = PREMIUM F = EAGLE
S = SPORT

BODY
48 = SEDAN TYPE #8

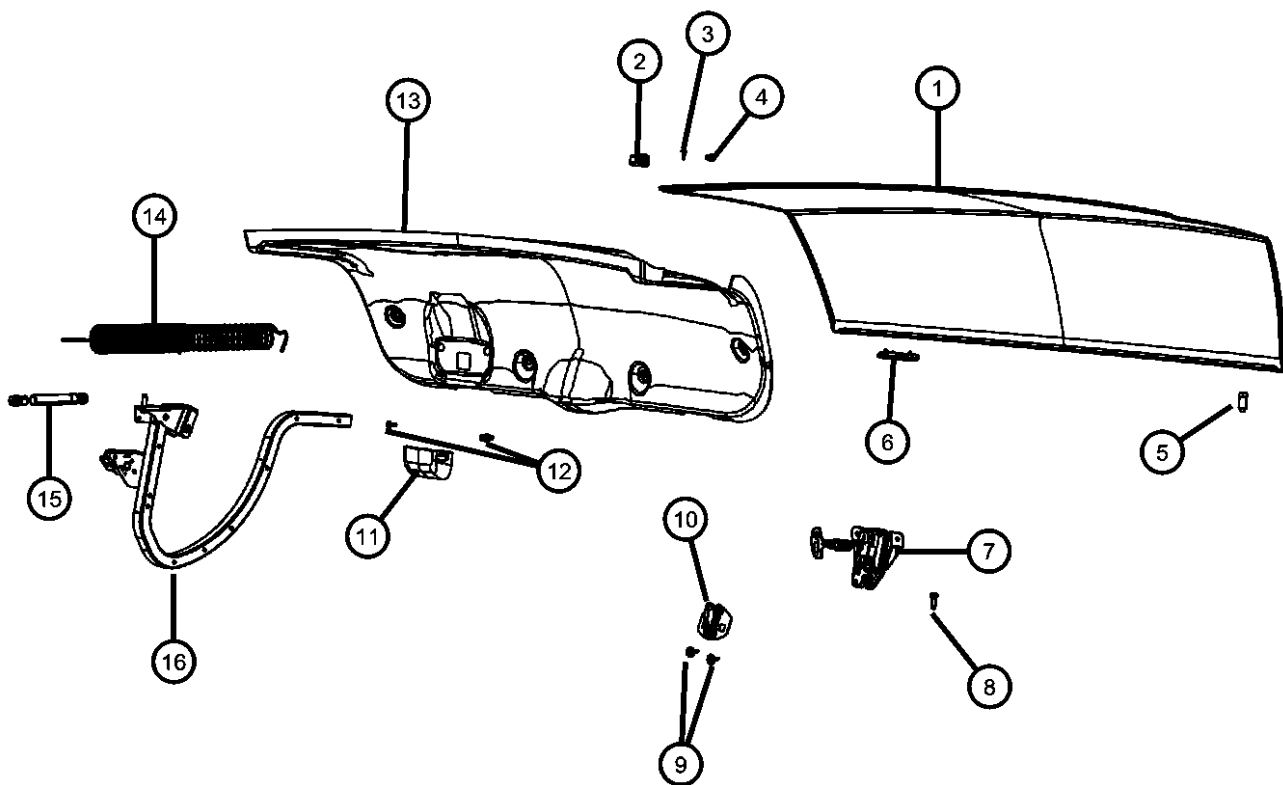
ENGINE
ERB = 3.XL Mid V6 Engine
EZH = 5.7L V8 HEMI MDS
VCT Engine

TRANSMISSION
DGJ = 5-Speed Auto W5A580
Transmission

AR = use ase required - = Non illustrated part

Deck Lid and Related Parts - Chrysler 300

Figure 60-1110



ITEM	PART NUMBER	QTY	LINE	SERIES	BODY	ENGINE	TRANS	TRIM	DESCRIPTION
1	68127959AA	1	C, F, Z		48				DECKLID
2	55113574AB	2	C, F, Z		48				BUMPER, Tailgate
3	06104610AA	2	C, F, Z		48				SCREW AND WASHER, Tapping Pan Head, M4.2X1.4X19.0
4	06508251AA	2	C, F, Z		48				NUT, Snap In, M4.2 x 1.41
5	05065494AA	2	C, F, Z		48				BUMPER, Deck Lid Overslam
6	68058846AC	2	C, F, Z		48				BUMPER, Deck Lid Overslam
7	04589217AA	1	C, F, Z		48				LATCH, Decklid
8	06104368AA	2	C, F, Z		48				BOLT AND WASHER, Hex Head, M6X1.00X25.00
9	06507648AA	2	C, F, Z		48				SCREW AND WASHER, Hex Head, M6x1.00x24.50
10	68064338AA	1	C, F, Z		48				STRIKER, Decklid Latch
11	05057794AB	1	C, F		48				PULL CUP, Decklid Inner
12	06509923AA	2	C, F, Z		48				SCREW, M5x.8x20
13	55315128AC	1	C, F, Z		48				COVER, Decklid Interior Trim
14	55113694AE	2	C, F, Z		48				SPRING, Deck Lid Hinge
15	04589871AC	1	C, F, Z		48				PROP, Deck Lid
16									HINGE, Deck Lid
	55113712AD	1	C, F, Z		48				Right
	55113713AD	1	C, F, Z		48				Left
-17									COVER, Decklid Interior Trim, Hinge Cover
	1KL47DX9AB	1	C, F, Z		48				Left
	1KL48DX9AB	1	C, F, Z		48				Right
-18	05065173AI	1	C, F		48				WEATHERSTRIP, Decklid

MAGNUM/300/CHARGER (LX)

SERIES LINE
 H = HIGHLINE C = CHRYSLER
 P = PREMIUM F = EAGLE
 S = SPORT

BODY
 48 = SEDAN TYPE #8

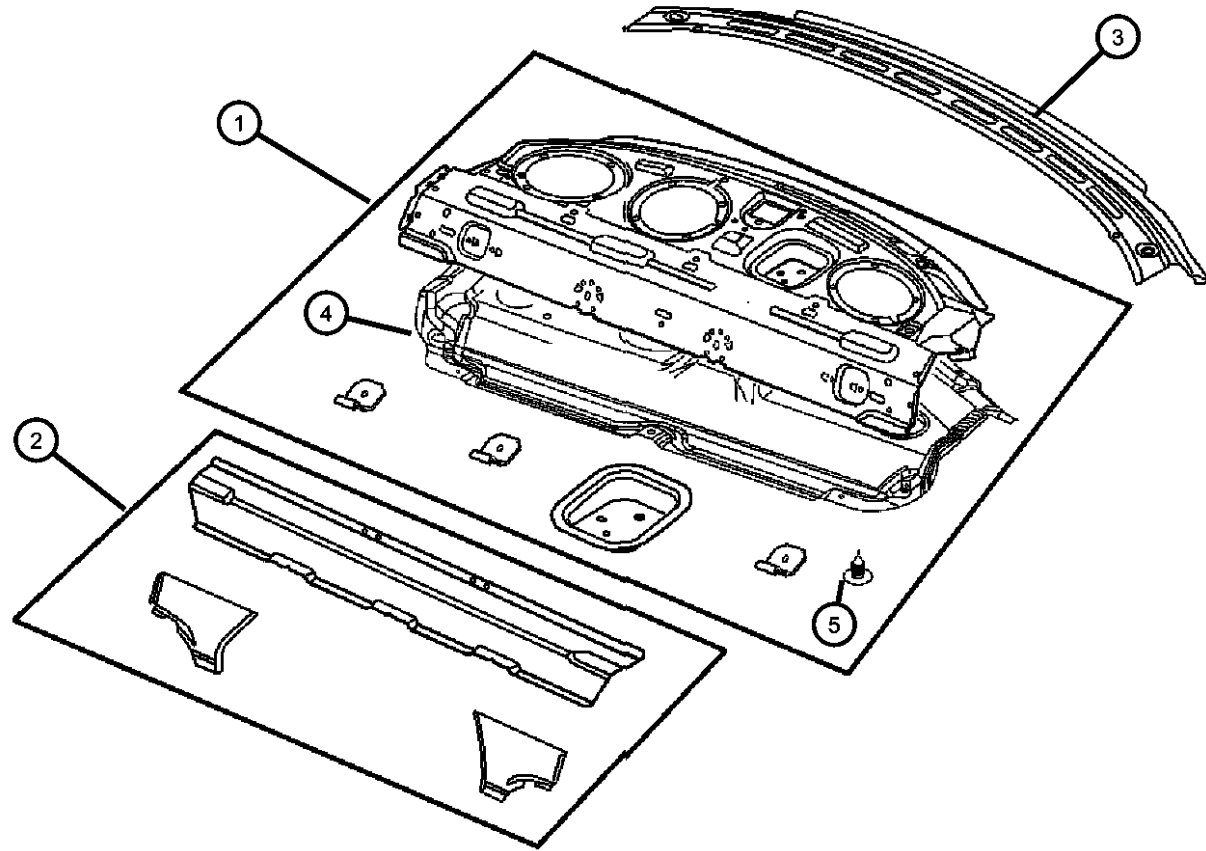
ENGINE
 ERB = 3.XL Mid V6 Engine
 EZH = 5.7L V8 HEMI MDS
 VCT Engine

TRANSMISSION
 DGJ = 5-Speed Auto W5A580
 Transmission

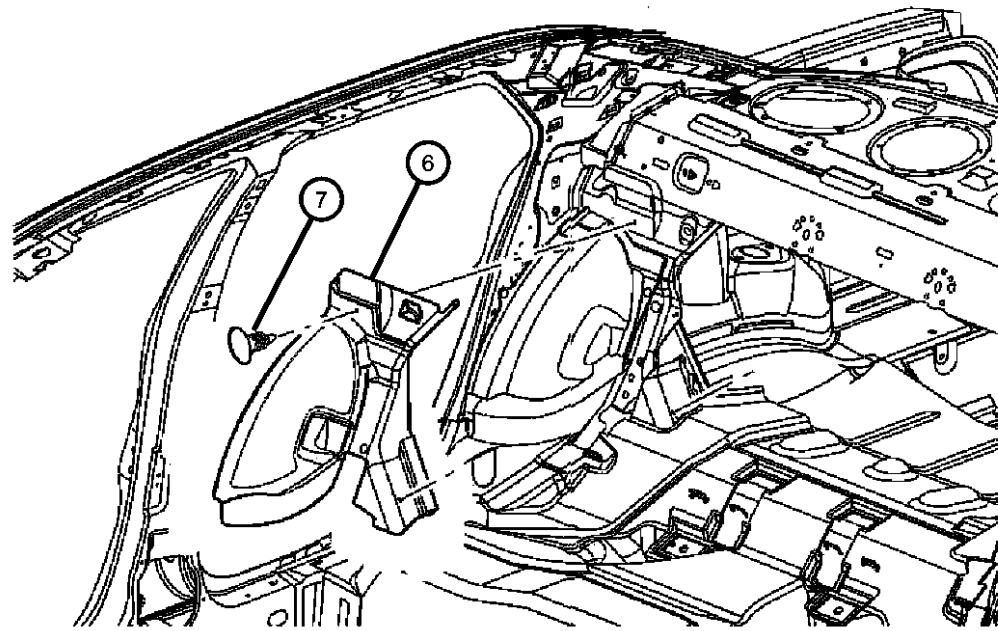
AR = use ase required - = Non illustrated part

2011 LX

Rear Shelf Panel
Figure 60-1205



ITEM	PART NUMBER	QTY	LINE	SERIES	BODY	ENGINE	TRANS	TRIM	DESCRIPTION
1	68037698AC	1	C, F, Z		48				PANEL, Rear Shelf
2	68045533AC	1	C, F, Z		48				REINFORCEMENT, Rear Shelf Panel
3	68037697AA	1	C, F, Z		48				REINFORCEMENT, Rear Shelf Panel
4	55315146AE	1	C, F, Z		48				SILENCER, Rear Shelf
5	06506293AA	1	C, F, Z		48				PIN, Push
6	55315169AB	1	C, F, Z		48				SILENCER, Rear Shelf Left
	55315172AB	1	C, F, Z		48				Right
7	06505411AA	2	C, F, Z		48				PIN, Push



MAGNUM/300/CHARGER (LX)

SERIES LINE
H = HIGHLINE C = CHRYSLER
P = PREMIUM F = EAGLE
S = SPORT

BODY
48 = SEDAN TYPE #8

ENGINE
ERB = 3.XL Mid V6 Engine
EZH = 5.7L V8 HEMI MDS
VCT Engine

TRANSMISSION
DGJ = 5-Speed Auto W5A580
Transmission

AR = use ase required - = Non illustrated part

2011 LX